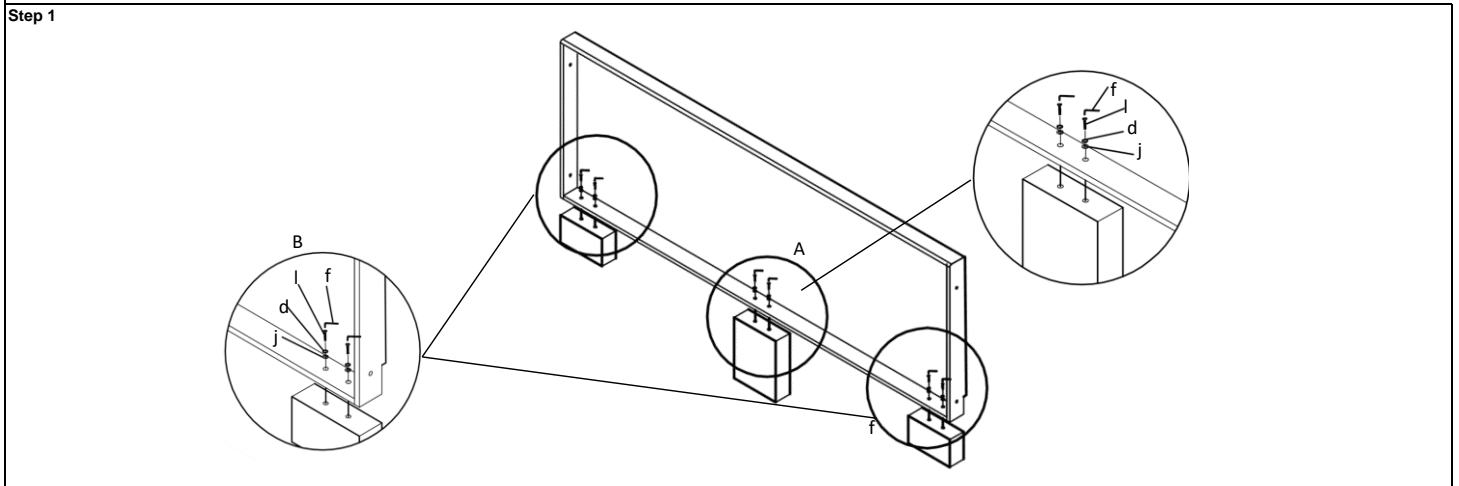


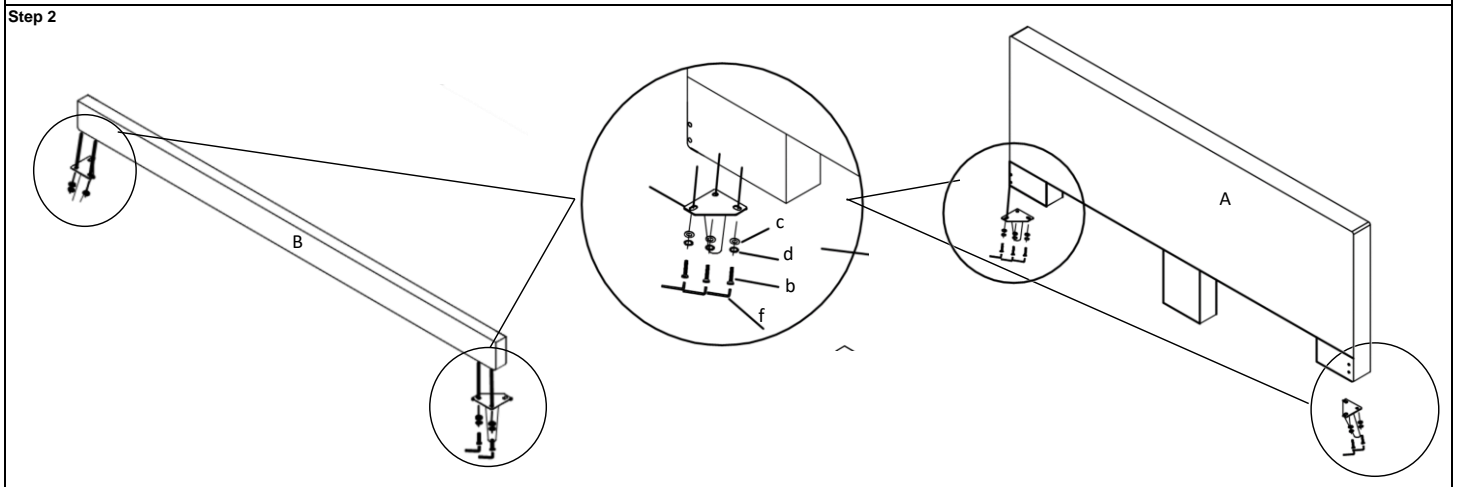
# UBSHA Bed Assembly Instruction

Headboard (A) 1pc	Footboard (B) 1pc	Side rail (C) 2pcs	Slat wood cleat (D) 4pcs	Middle support male (E) 1pc	Middle support female (F) 1pc
					 size: M8*60mm
Slats (G) 26pc	Leg(H) 4 pcs	Middle leg (I) 3pcs	Unilateral card slot (J) 26 pcs	Unilateral card slot (K) 13 pcs	Allen head bolt (a) 8pcs
 size: M8*25mm	 size:M8*18*2mm	 M8	 sizes:35*1mm	 Ø:5mm	 size: M8*90mm
Allen head bolt (b) 15pcs	Flat washer (c) 15pcs	Allen head bolt (d) 36pcs	Plastic washer (e) 3pcs	Allen Key (f) 1pc	Threaded bolt (g) 8 pcs
 size: M8*13mm	 14mm	 size:M8*22*2mm		 size: M8*40mm	
Nut (h) 8pcs	Wrench (i) 1pc	Flat washer (j) 22pcs	Heightening Box (k) 3pcs	Allen head bolt (l) 6pcs	

## Installation Steps

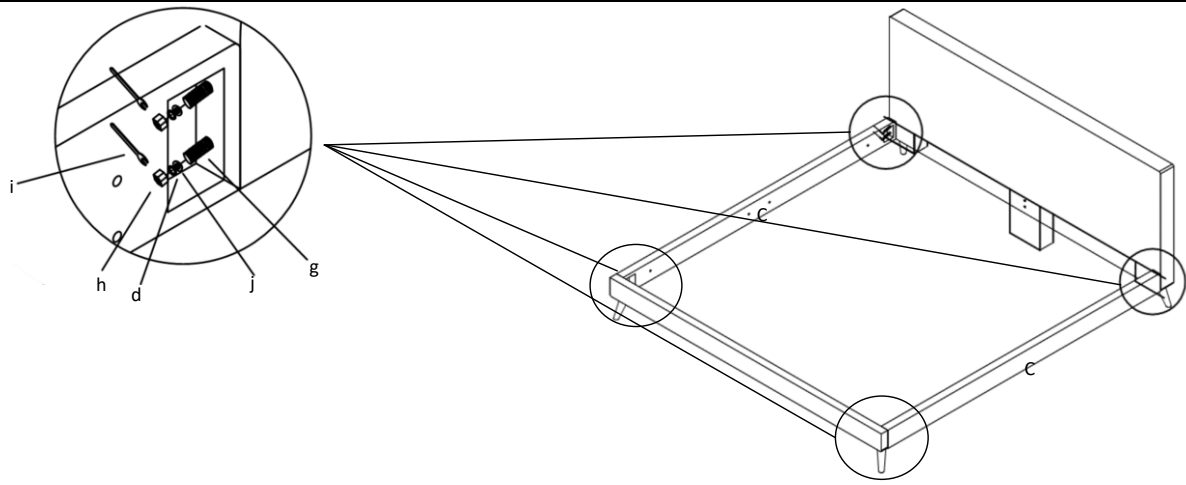


## Heightening Box installation



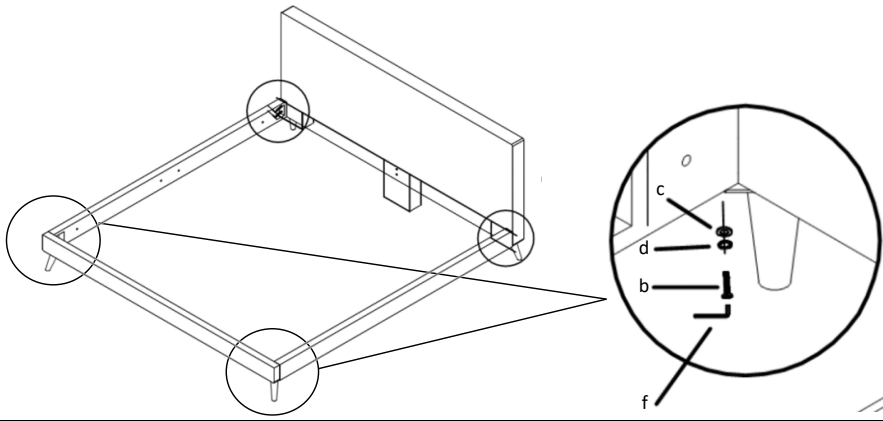
## Legs installation

Step 3



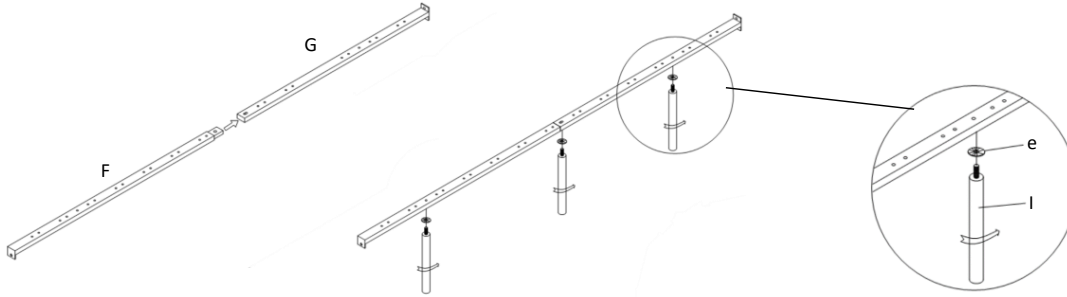
**Tighten all 8 screws on HB & FB**

Step 4



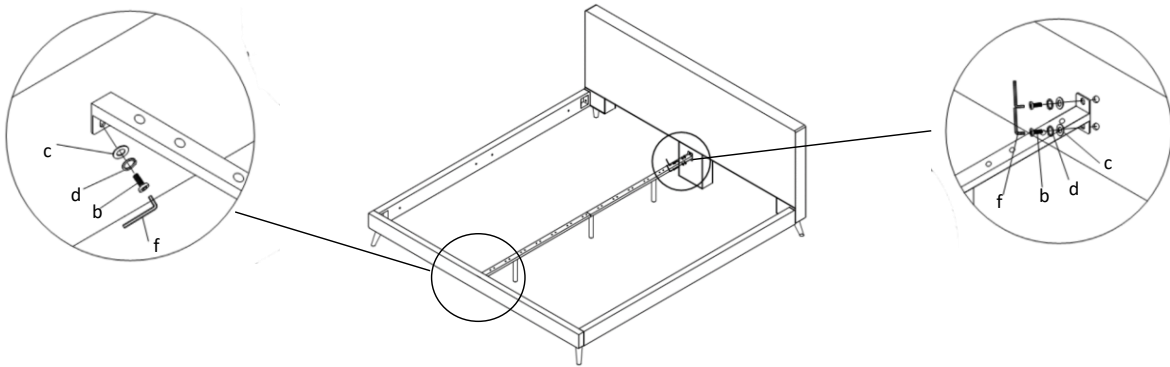
**Footboard installation**

Step 5



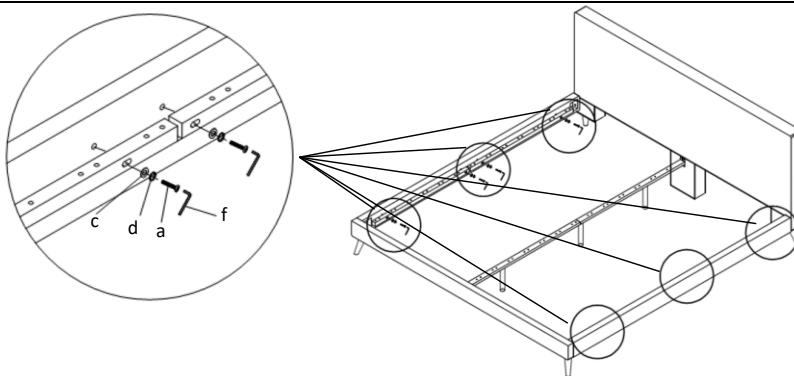
**Middle slat support installation**

Step 6



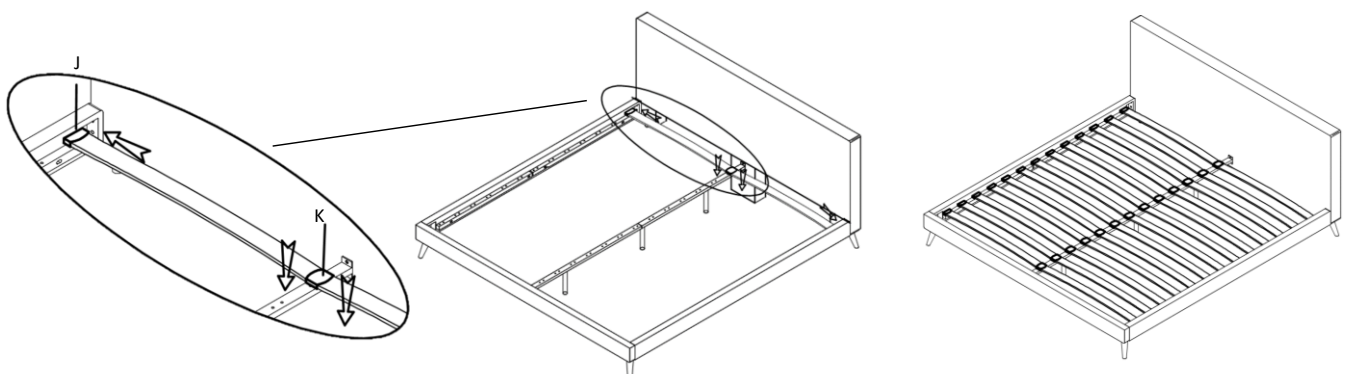
**Middle support installation**

Step 7


























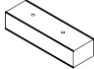
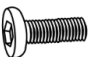
**Slat wood cleat installation**

Step 8

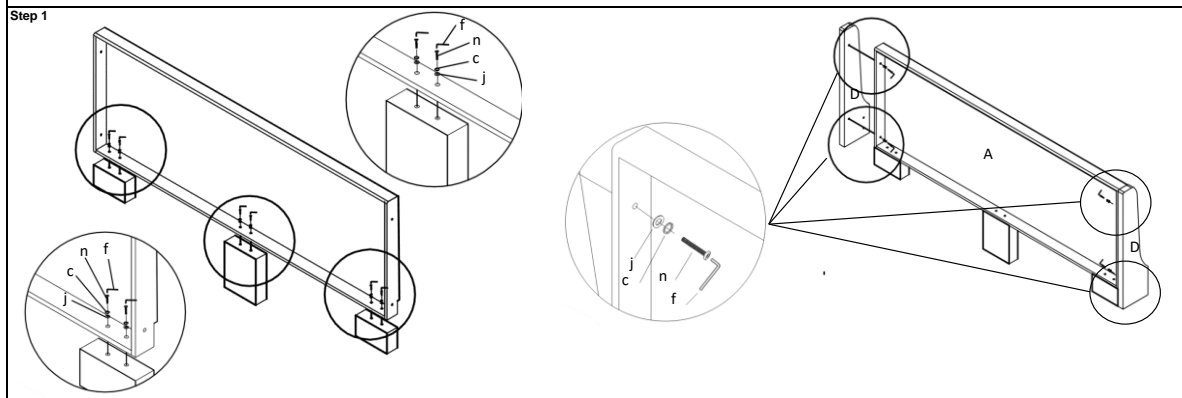


**Slats installation**

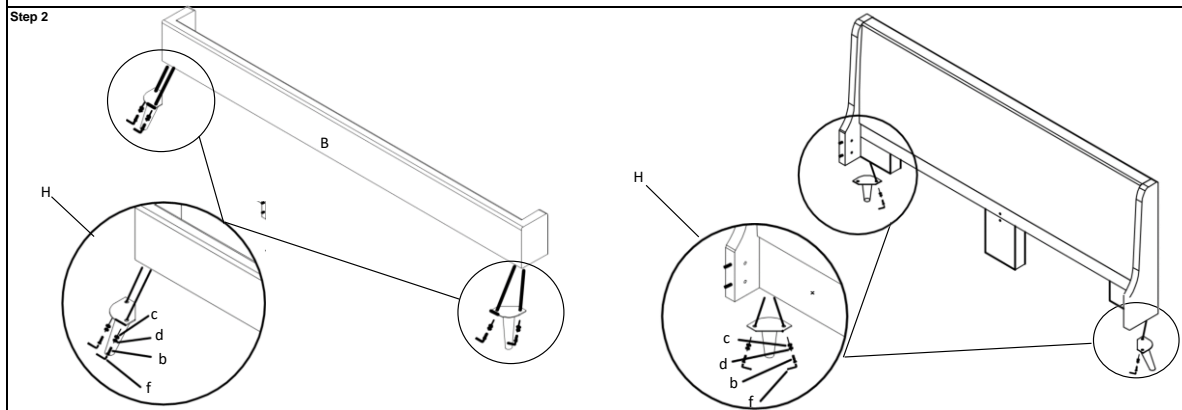
# UBBRO Bed Assembly Instruction

					
Headboard (A) 1pc	Footboard (B) 1pc	Side rail (C) 2pcs	Wing (D) 2pcs	Slat wood cleat (E) 4pcs	Middle support male (F) 1pc
					
Middle support female (G) 1pc	Slats (G) 26pc	Leg(H) 4 pcs	Middle leg (J) 3pcs	Unilateral card slot (K) 26 pcs	Unilateral card slot (J) 13 pcs
 size: M8*60mm	 size: M8*30mm	 size:M8*18*2mm	 M8	 sizes:35*1mm	 Ø:5mm
Allen head bolt (a) 20pcs	Allen head bolt (b) 11pcs	Flat washer (c) 11pcs	Allen head bolt (d) 49pcs	Plastic washer (e) 3pcs	Allen Key (f) 1pc
 size: M8*90mm	 size: M8*13mm	 14mm	 size:M8*22*2mm		
Threaded bolt (g) 8 pcs	Nut (h) 8pcs	Wrench (i) 1pc	Flat washer (j) 38pcs	Slat wood cleat (k) 4pcs	Heightening Box (m) 3pcs
 size: M8*40mm					
Allen head bolt (n) 10pcs					

## Installation Steps

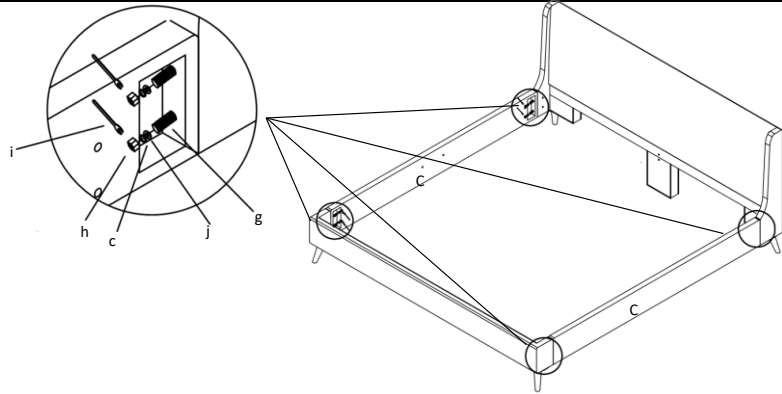


### Heightening Box & Wing installation



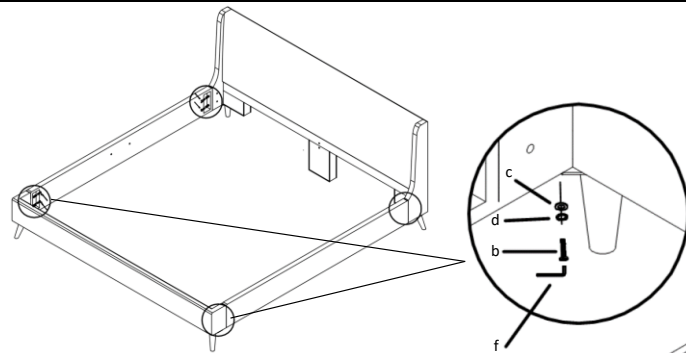
### Legs installation

Step 3



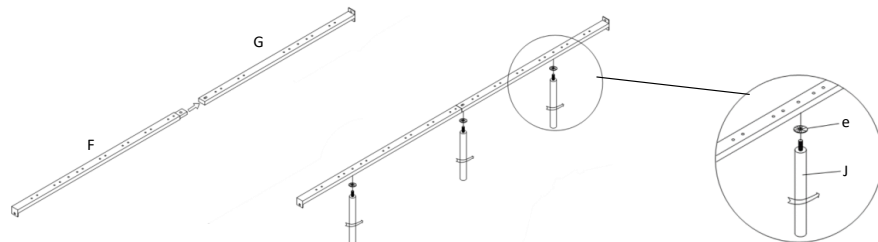
Tighten all 8 screws on HB & FB

Step 4



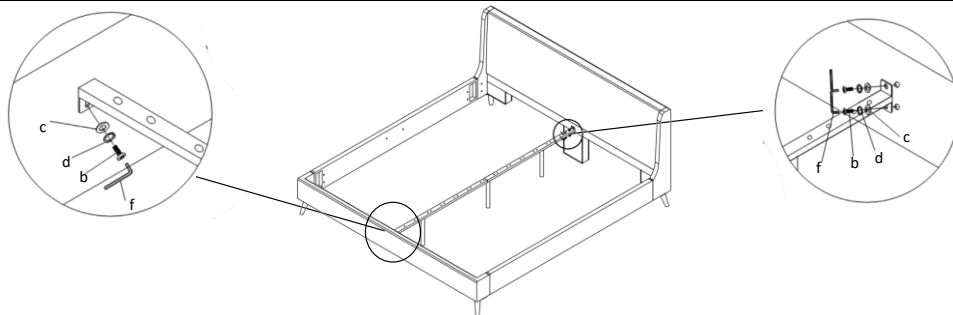
Footboard installation

Step 5



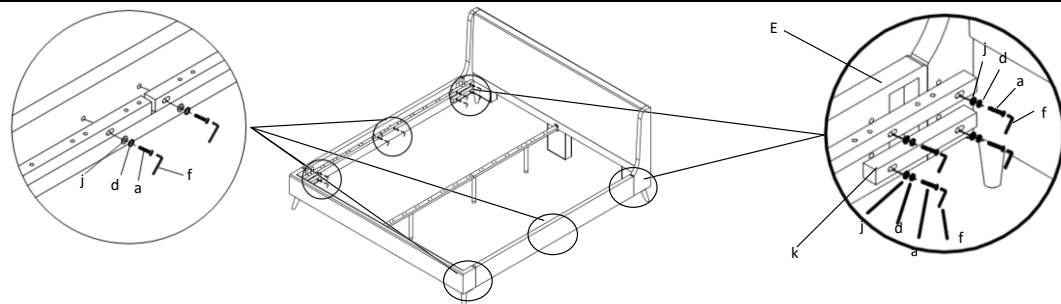
Middle slat support installation

Step 6



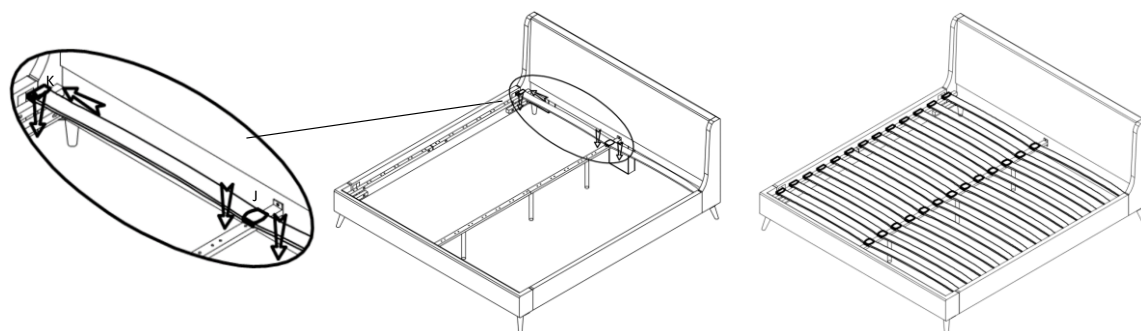
Middle support installation

Step 7








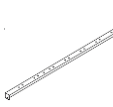















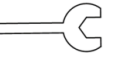


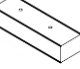
Slat wood cleat installation

Step 8

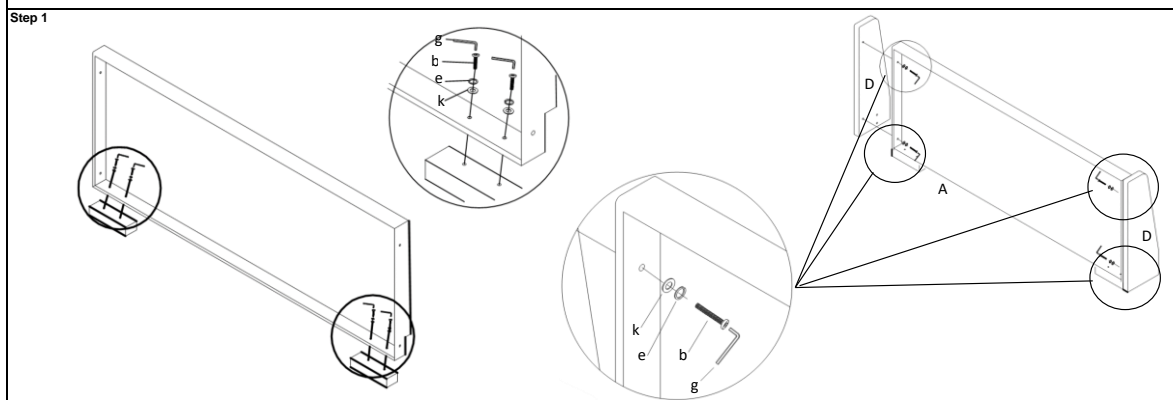




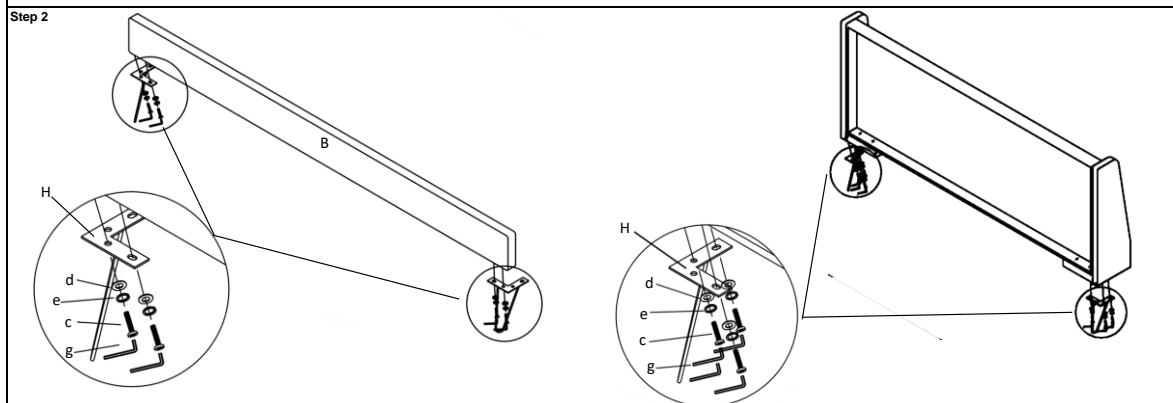
# UBZOE Bed Assembly Instruction

					
Headboard (A) 1pc	Footboard (B) 1pc	Side rail (C) 2pcs	Wing (D) 2pcs	Slat wood cleat (E) 4pcs	Middle support male (F) 1pc
					
Middle support female (G) 1pc	Slats (G) 26pc	Leg(H) 4 pcs	Middle leg (J) 3pcs	Unilateral card slot (K) 26 pcs	Unilateral card slot (J) 13 pcs
 size: M8*60mm	 size: M8*40mm	 size: M8*30mm	 size:M8*18*2mm	 M8	 size:35*1mm
Allen head bolt (a) 14pcs	Allen head bolt (b) 8pcs	Allen head bolt (c) 15pcs	Flat washer (d) 15pcs	Allen head bolt (e) 45pcs	Plastic washer (f) 3pcs
 Ø:5mm	 size: M8*90mm	 size: M8*13mm	 14mm	 size:M8*22*2mm	
Allen Key (g) 1pc	Threaded bolt (h) 8 pcs	Nut (i) 8pcs	Wrench (j) 1pc	Flat washer (k) 30pcs	Slat wood cleat (l) 2pcs
					
Heightening Box (m) 2pcs					

## Installation Steps

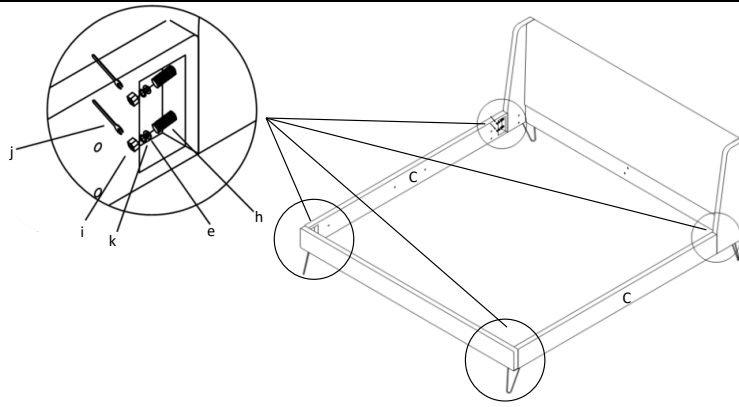


### Heightening Box & Wing installation



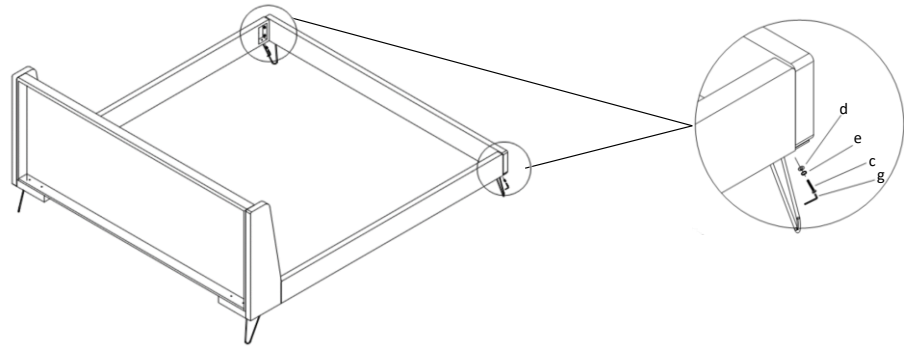
### Legs installation

Step 3



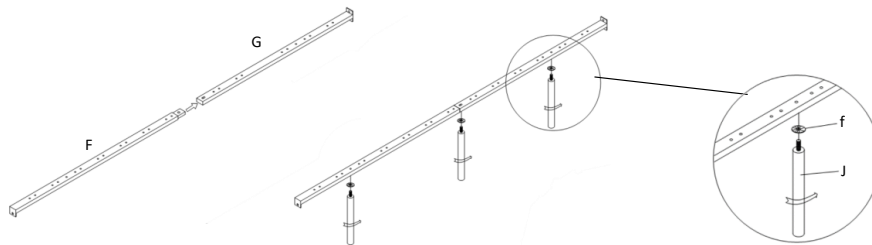
Tighten all 8 screws on HB & FB

Step 4



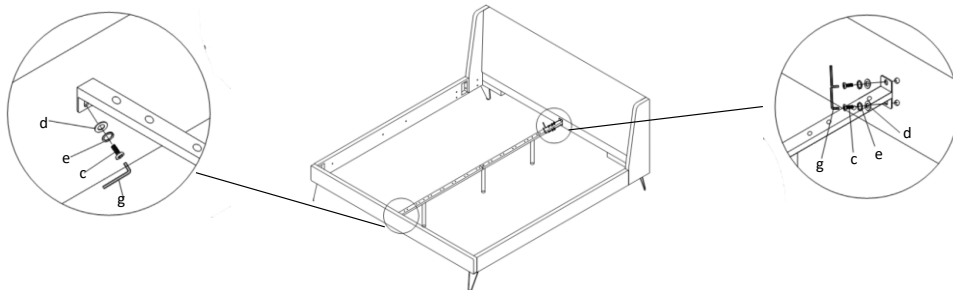
Footboard installation

Step 5



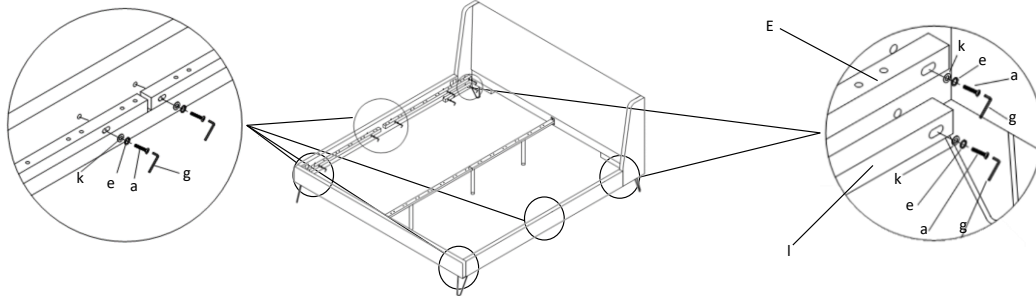
Middle slat support installation

Step 6



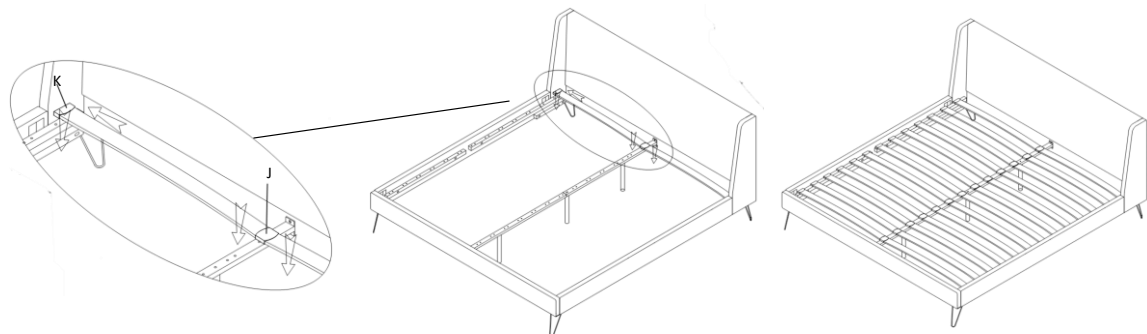
Middle support installation

Step 7



Slat wood cleat installation

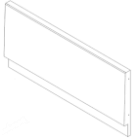







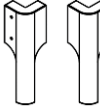


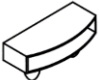


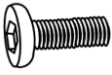


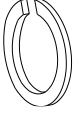
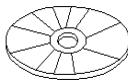





Step 8



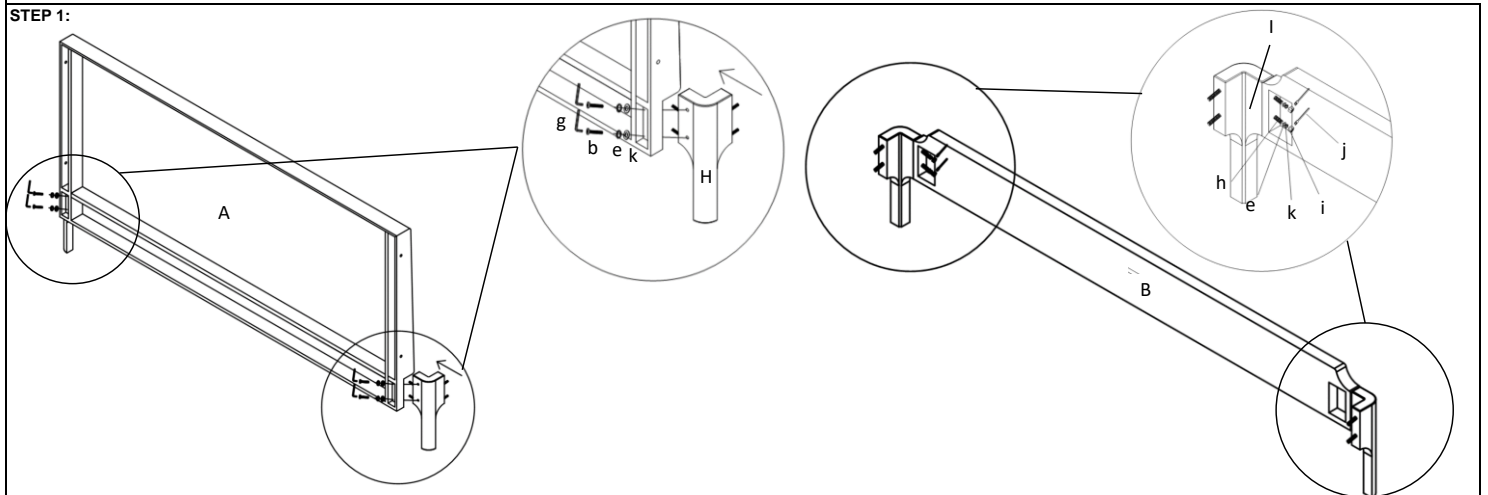




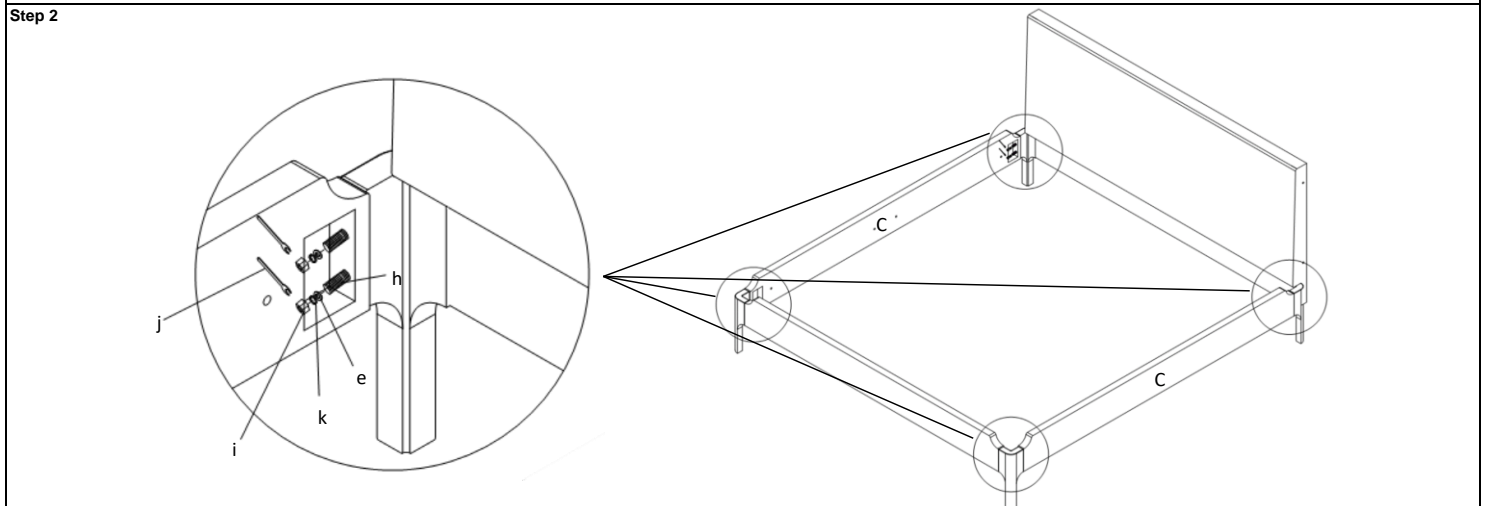
# UBLEX Bed Assembly Instruction

					
Headboard (A) 1pc	Footboard (B) 1pc	Side rail (C) 2pcs	Wing (D) 2pcs	Slat wood cleat (E) 4pcs	Middle support male (F) 1pc
					
Middle support female (G) 1pc	Slats (G) 26pc	Headboard leg(H) 1pair	Footboard leg (I) 2 pcs	Middle leg (J) 3pcs	Unilateral card slot (K) 26 pcs
					
Unilateral card slot (J) 13 pcs	Allen head bolt (a) 8pcs size: M8*60mm	Allen head bolt (b) 8pcs size: M8*40mm	Allen head bolt (c) 3pcs size: M8*30mm	Flat washer (d) 3pcs size:M8*18*2mm	Allen head bolt (e) 35pcs M8
					
Plastic washer (f) 3pcs sizes:35*1mm	Allen Key (g) 1pc Ø:5mm	Threaded bolt (h) 16pcs size: M8*90mm	Nut (i) 16pcs size: M8*13mm	Wrench (j) 14mm	Flat washer (k) 32pcs size:M8*22*2mm

## Installation Steps

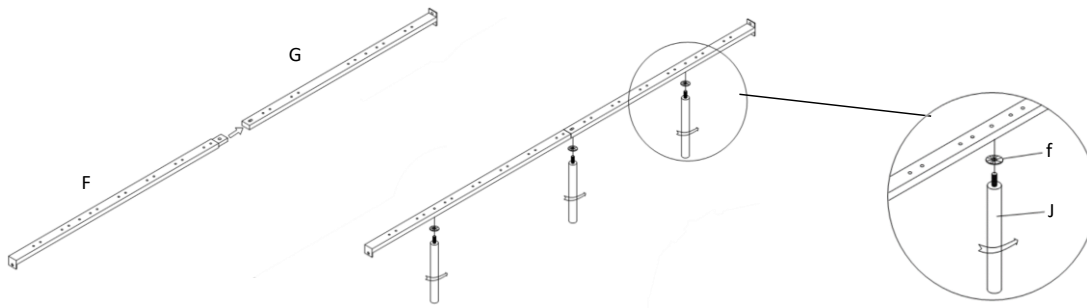


## Headboard legs and footboard legs instruction



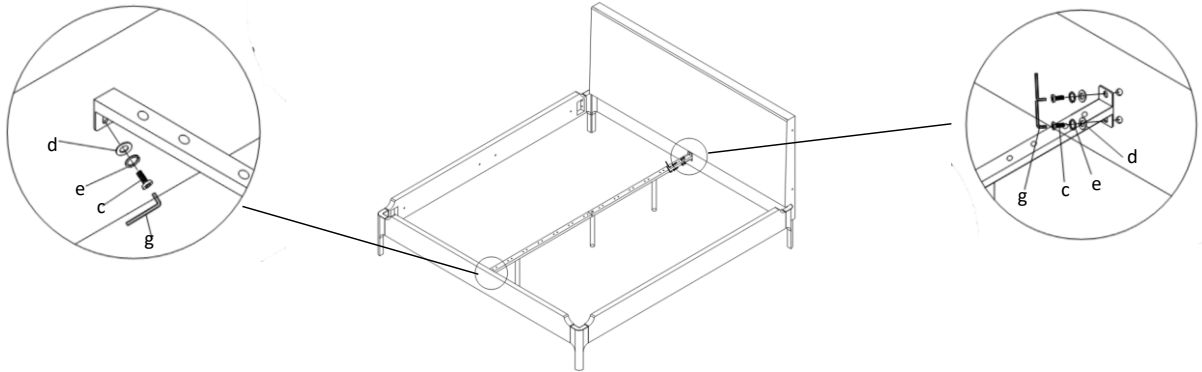
**Tighten all 8 screws on HB & FB**

Step 3



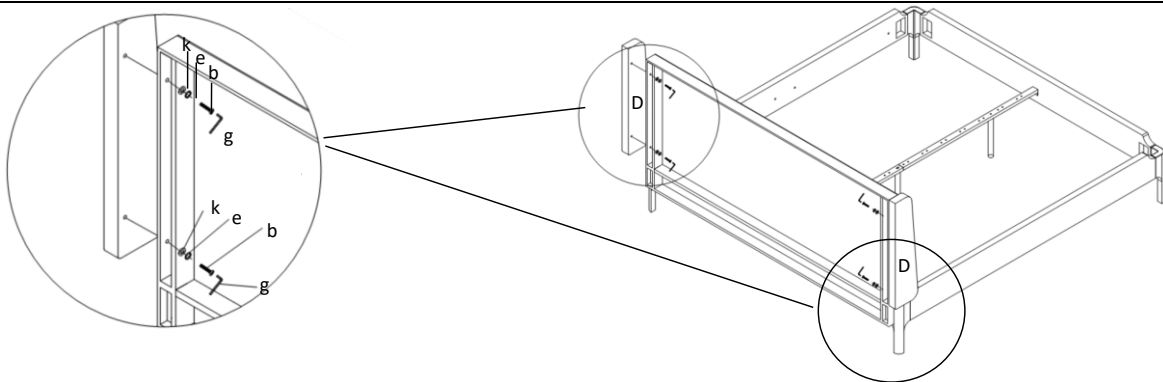
**Middle slat support installation**

Step 4



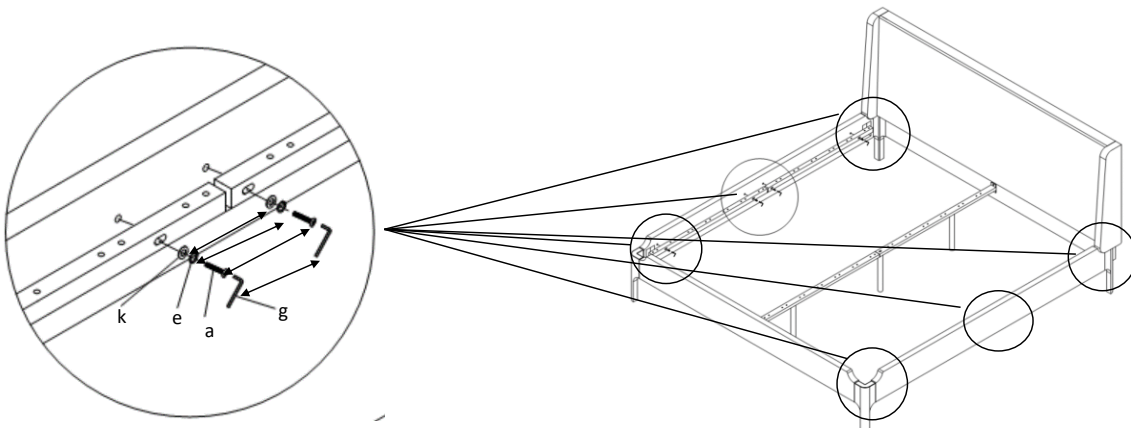
**Middle support installation**

Step 5



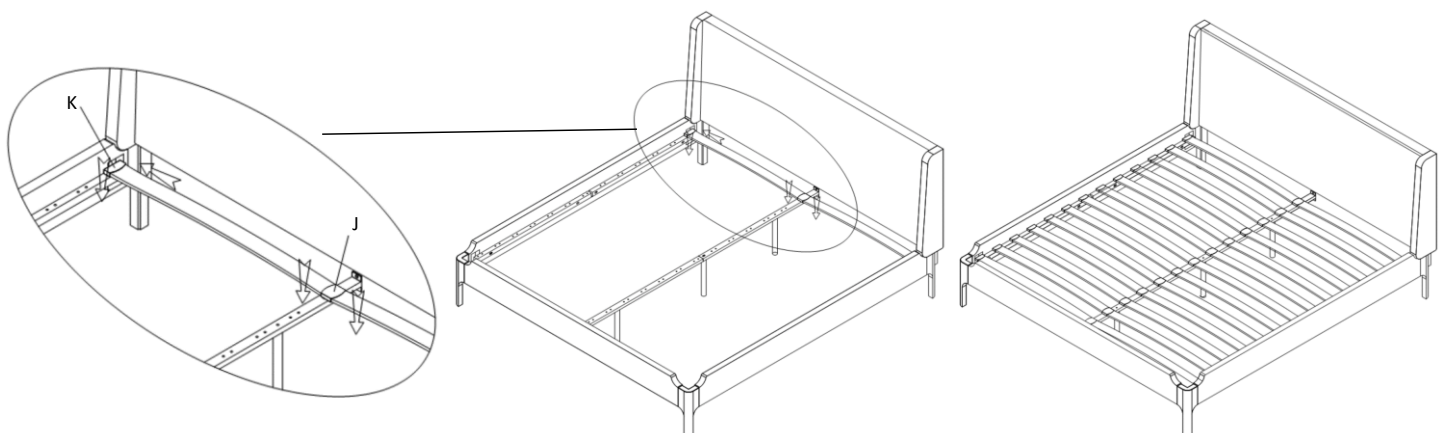
**Wing installation**

Step 6



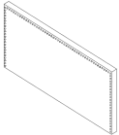








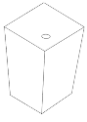

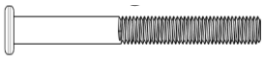


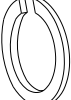
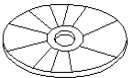


**Slat wood cleat installation**

Step 7



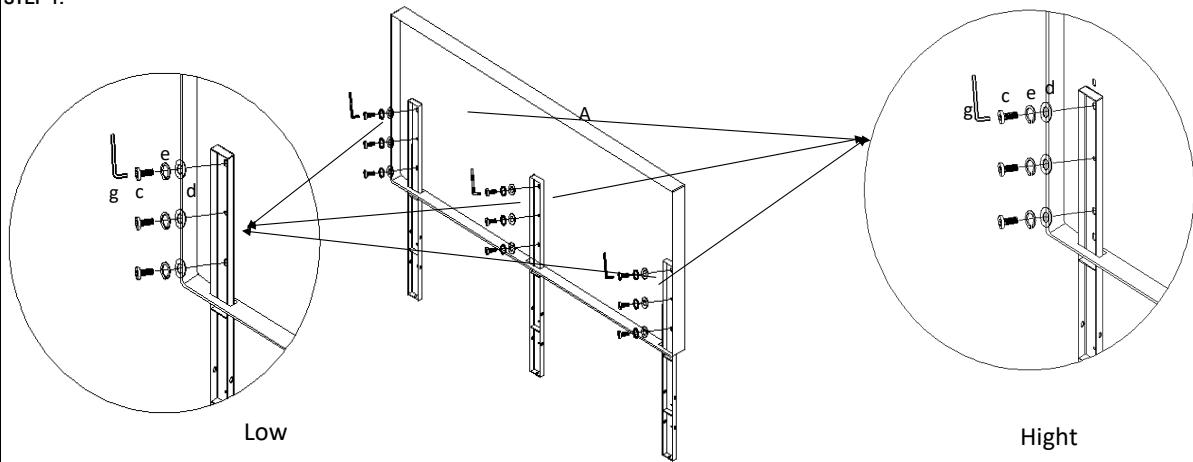
**Slats installation**

# UBMAD Bed Assembly Instruction

				
Headboard (A) 1pc	Footboard (B) 1pc	Side rail (C) 2pcs	Slat metal cleat (D) 2pcs	Middle support male (E) 1pc
		 50*25*900mm	 59*25*900mm	
Middle support female (E) 1pc	Slats (G) 1pc	Headboard middle leg(H) 1pc	Headboard leg (I) 2pcs	Footboard leg (J) 2 pcs
	 size: M8*100mm	 size: M8*30mm	 size:M8*18*2mm	 M8
Triangle piece (a) 2pcs	Allen head bolt (b) 2pcs	Allen head bolt (c) 42pcs	Flat washer (d) 40pcs	Allen head bolt (e) 40pcs
 sizes:35*2mm	 Ø:5mm			
Allen head bolt (f) 1pc	Allen wrench (g) 1pc	Middle leg (h) 1 pc		

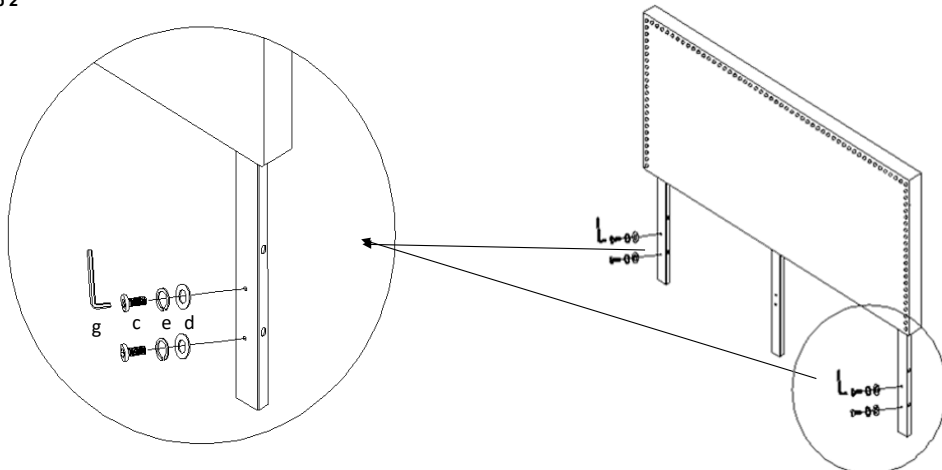
## Installation Steps

**STEP 1:**



**Headboard legs push through the bottom headboard hole, align the 3 insert nut holes (each side),Tighten all 7 screws.**

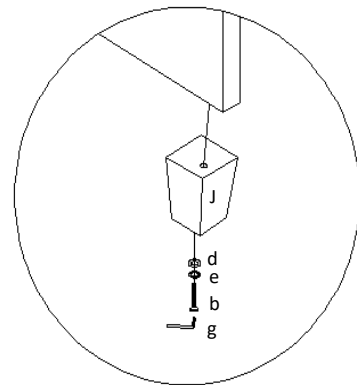
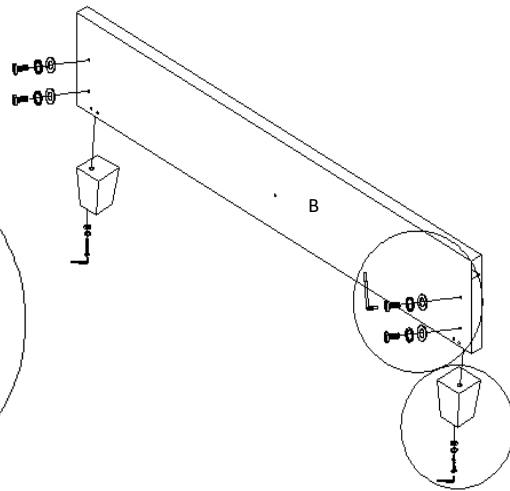
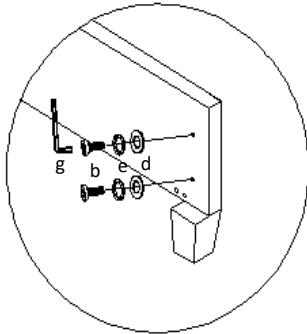
**Step 2**



**Please do not assemble with power tools, do the same thing for two legs.**

**Step 3**

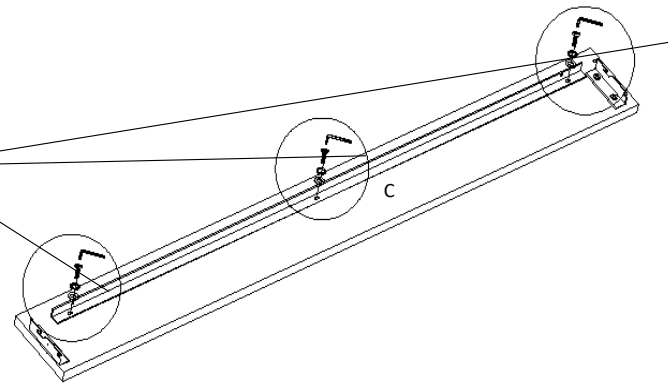
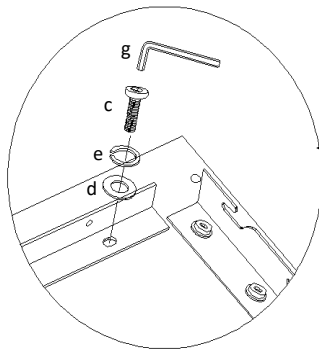
Do not tighten the screws



Tighten the leg.

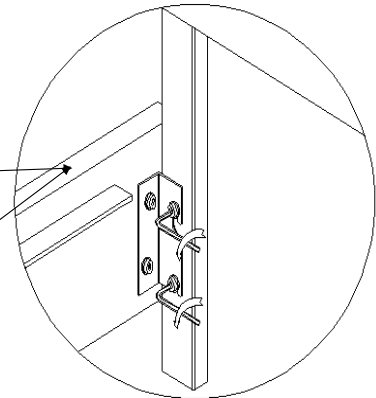
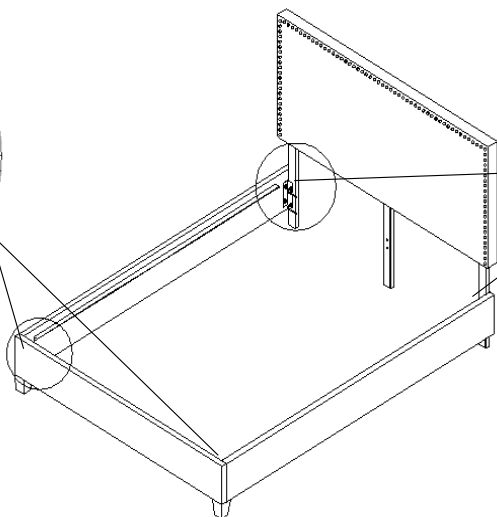
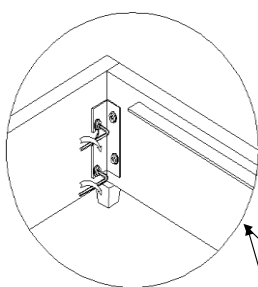
**Footboard installation**

**Step 4**



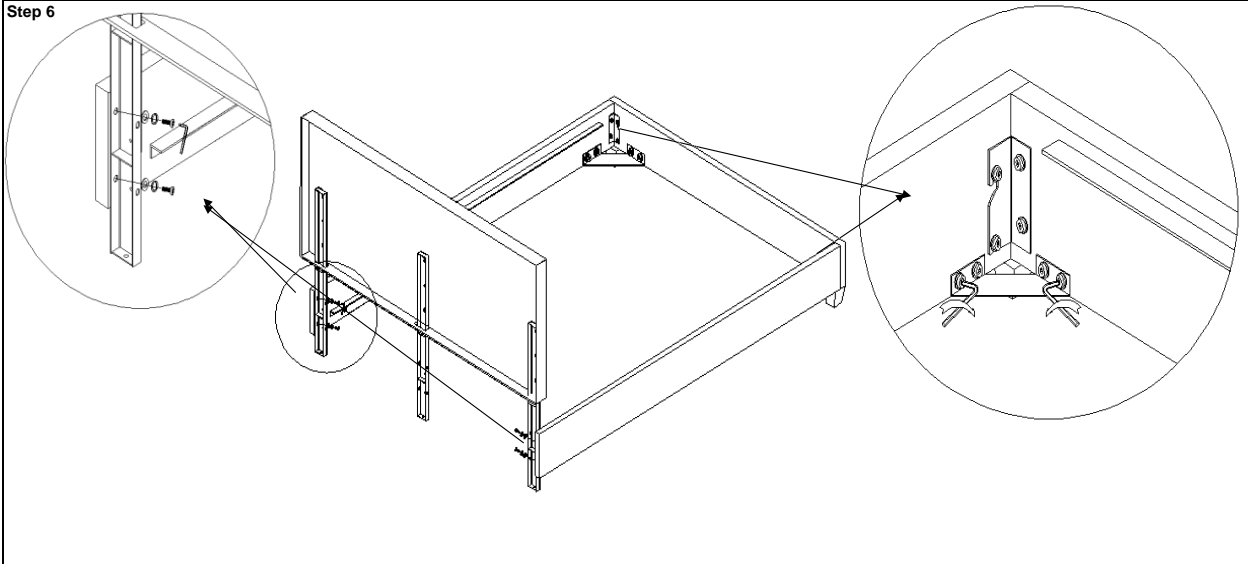
**Bed rails installation**

**Step 5**

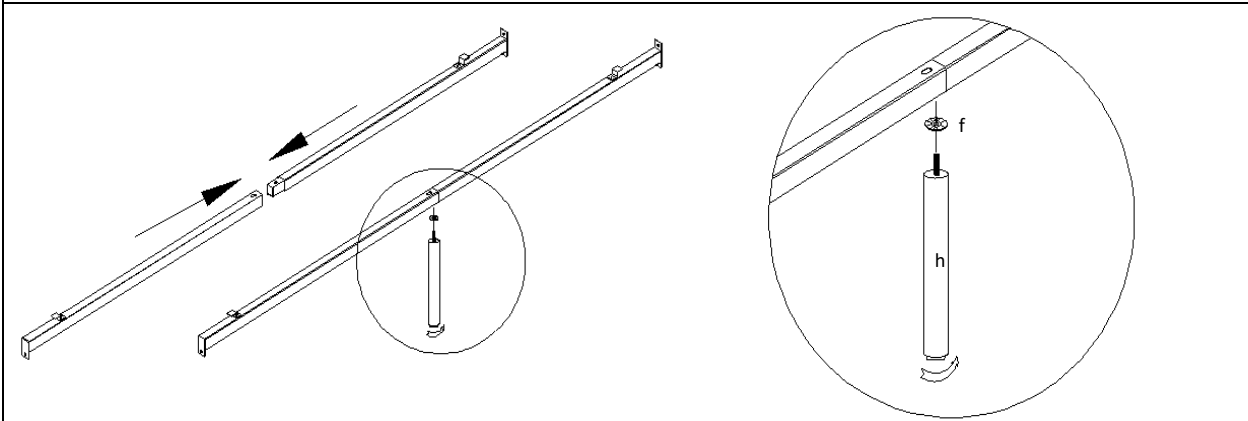


Tighten all 8 screws on HB & FB

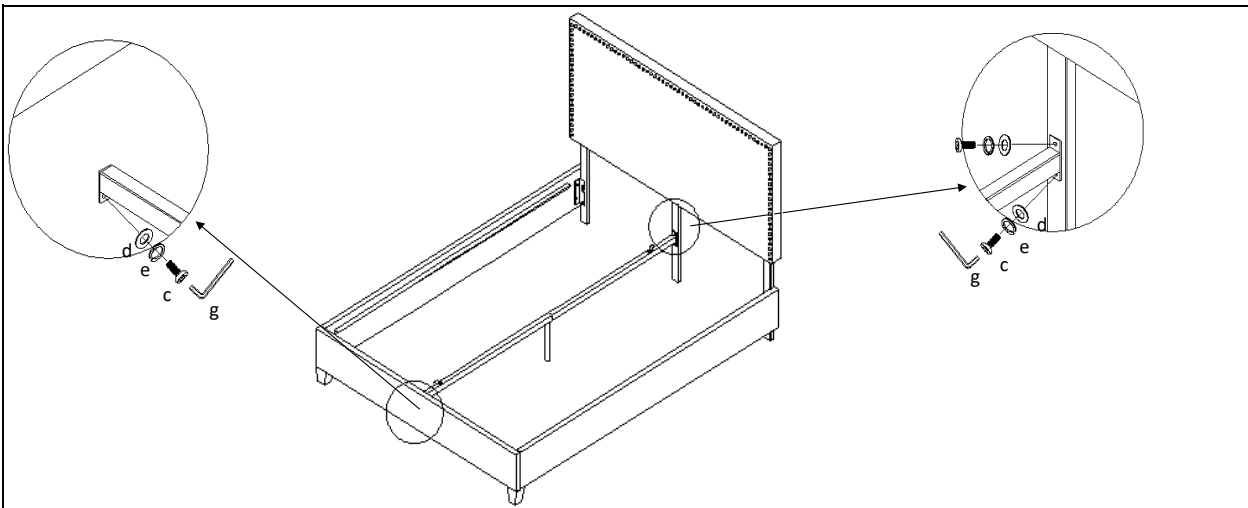
Step 6



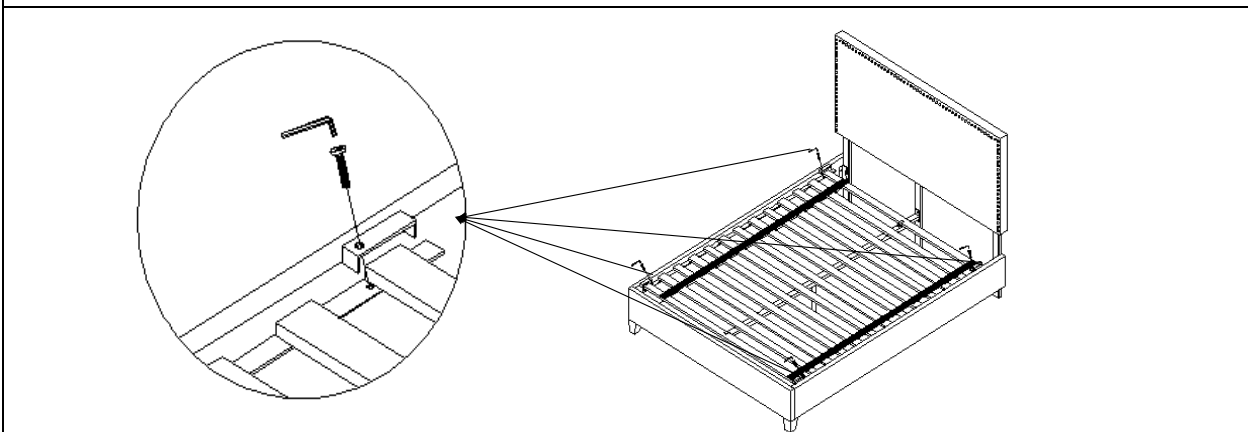
Bed rail and headboard leg screws



Middle slat support installation

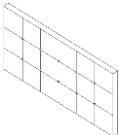








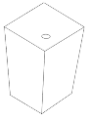

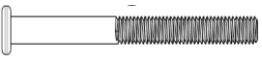


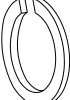
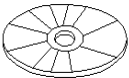




Middle slat support installation

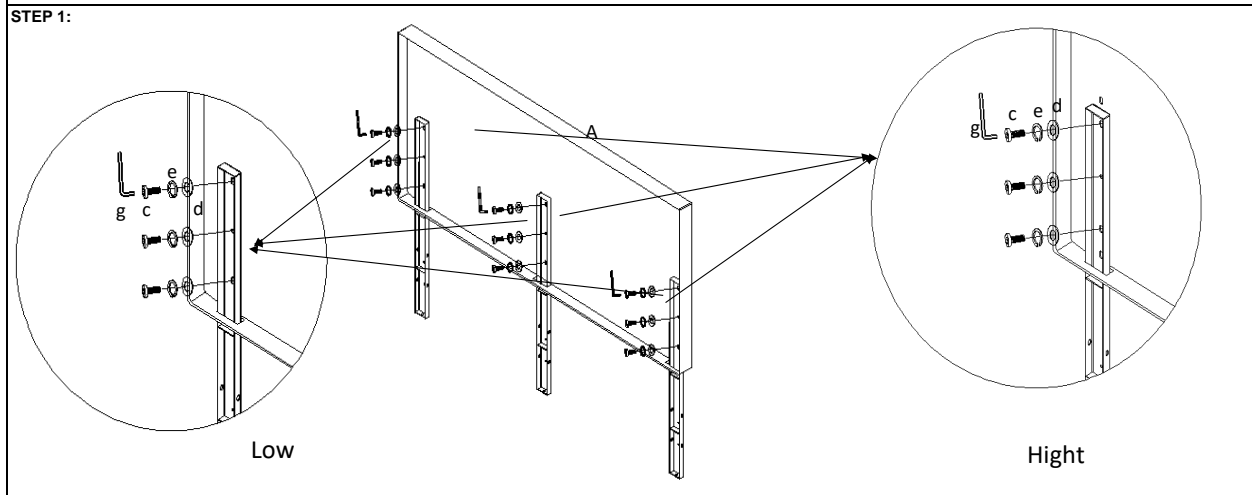


Slats installation

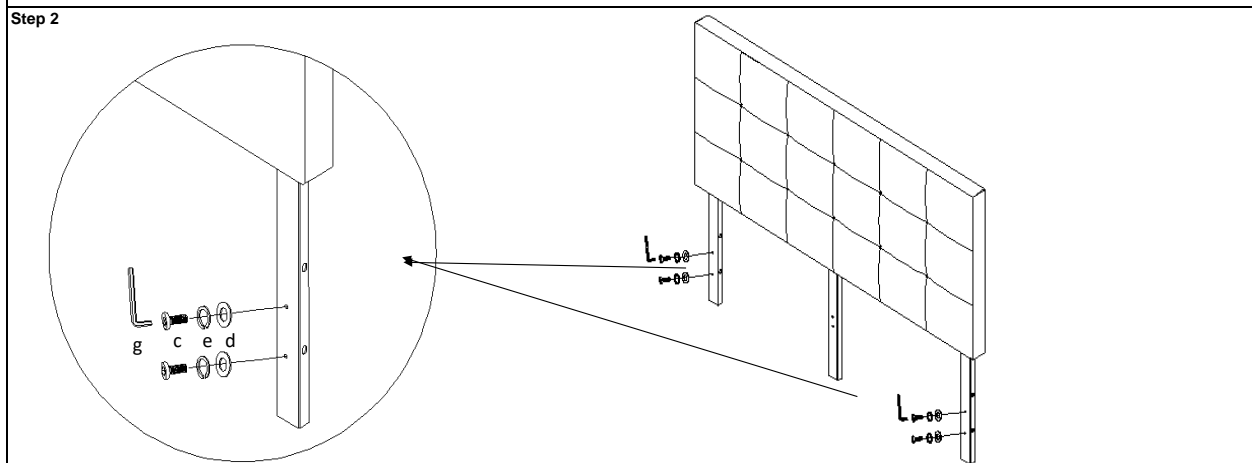
# UBHUD Bed Assembly Instruction

				
Headboard (A) 1pc	Footboard (B) 1pc	Side rail (C) 2pcs	Slat metal cleat (D) 2pcs	Middle support male (E) 1pc
		 50*25*900mm	 59*25*900mm	
Middle support female (E) 1pc	Slats (G) 1pc	Headboard middle leg(H) 1pc	Headboard leg (I) 2pcs	Footboard leg (J) 2 pcs
	 size: M8*100mm	 size: M8*30mm	 size:M8*18*2mm	 M8
Triangle piece (a) 2pcs	Allen head bolt (b) 2pcs	Allen head bolt (c) 42pcs	Flat washer (d) 40pcs	Allen head bolt (e) 40pcs
 sizes:35*2mm	 Ø:5mm			
Allen head bolt (f) 1pc	Allen wrench (g) 1pc	Middle leg (h) 1 pc		

## Installation Steps



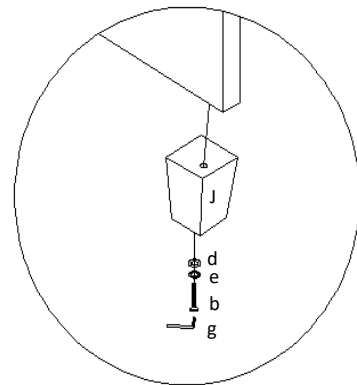
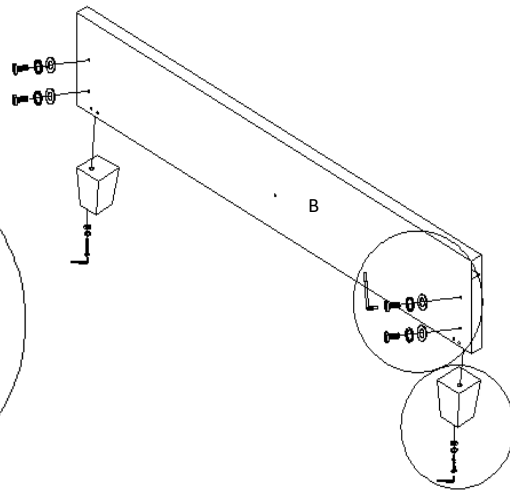
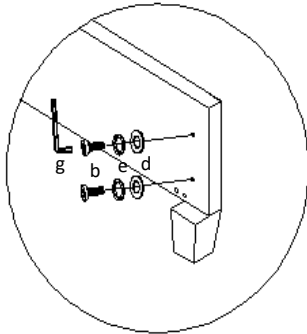
**Headboard legs push through the bottom headboard hole, align the 3 insert nut holes (each side),Tighten all 7 screws.**



**Please do not assemble with power tools, do the same thing for two legs.**

**Step 3**

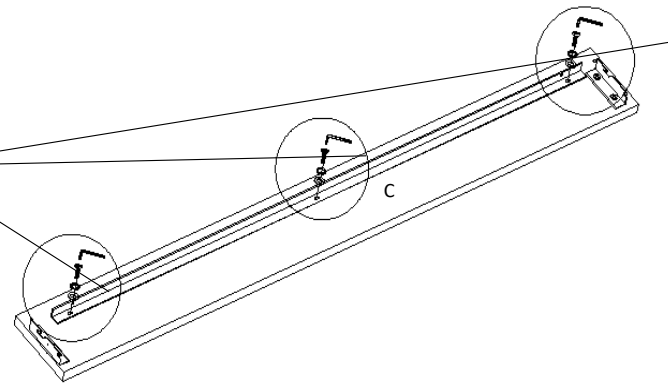
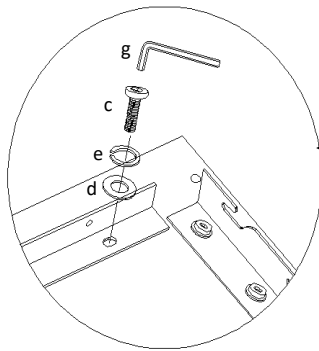
Do not tighten the screws



Tighten the leg.

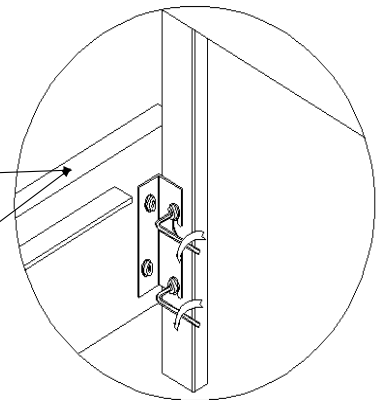
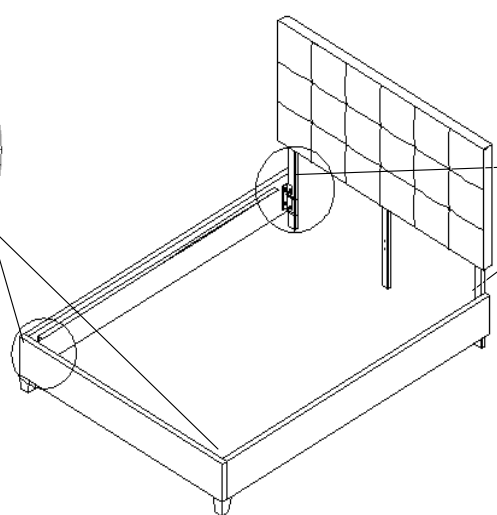
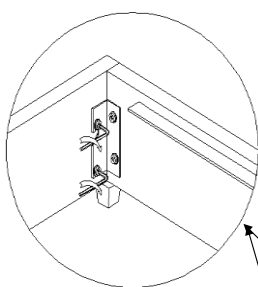
**Footboard installation**

**Step 4**



**Bed rails installation**

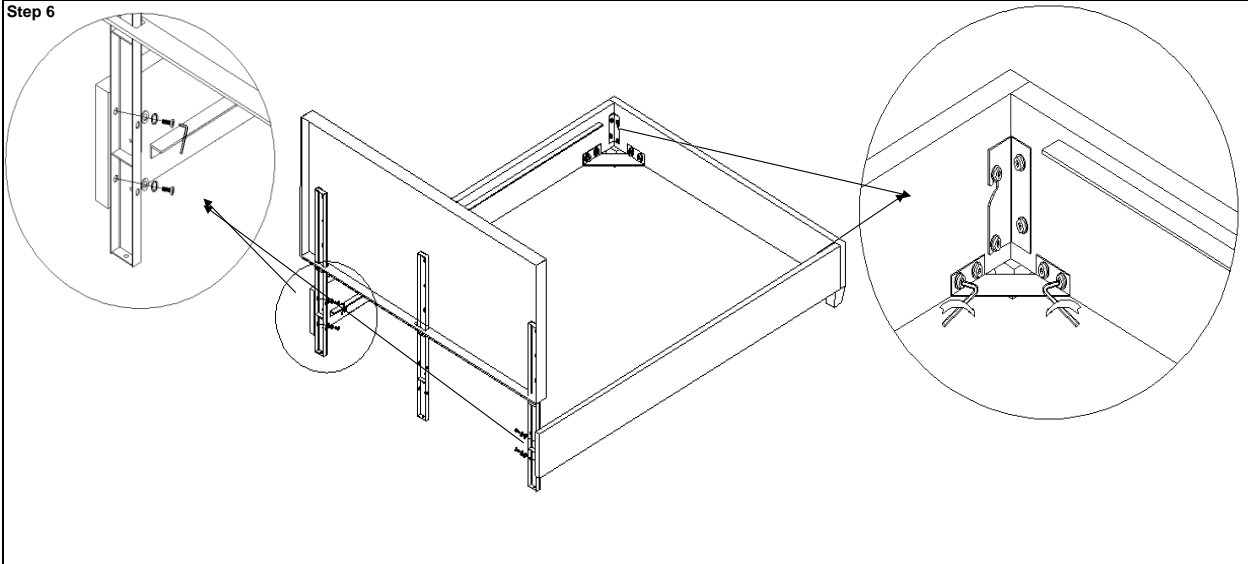
**Step 5**



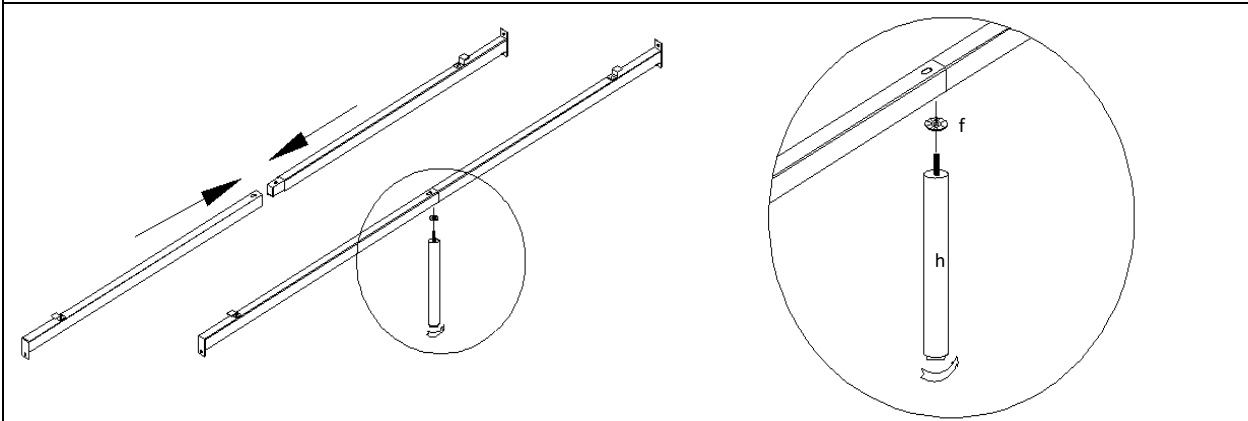
Tighten all 8 screws on HB & FB



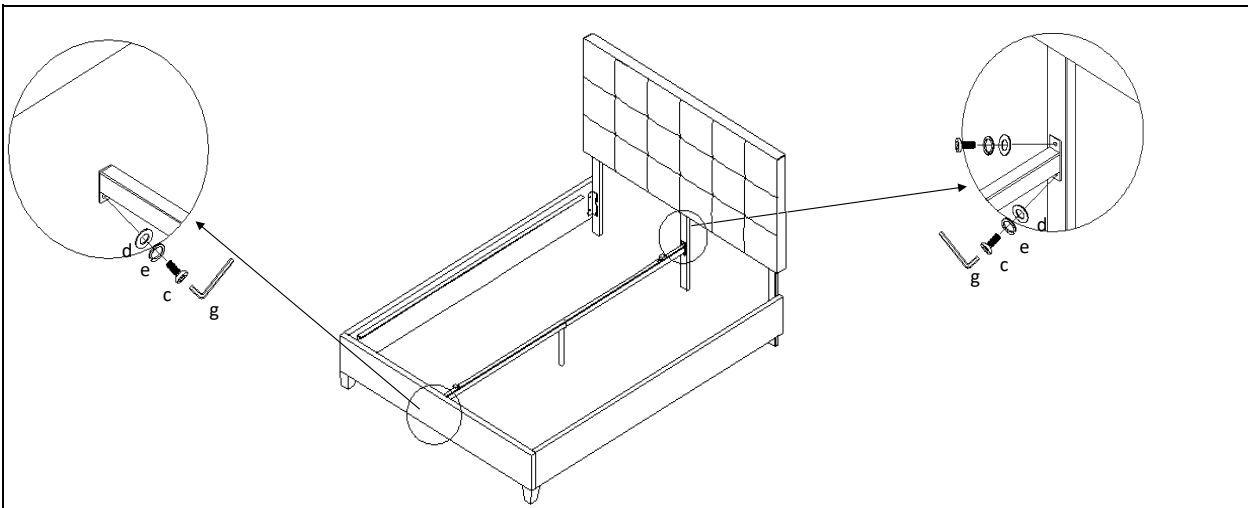
Step 6



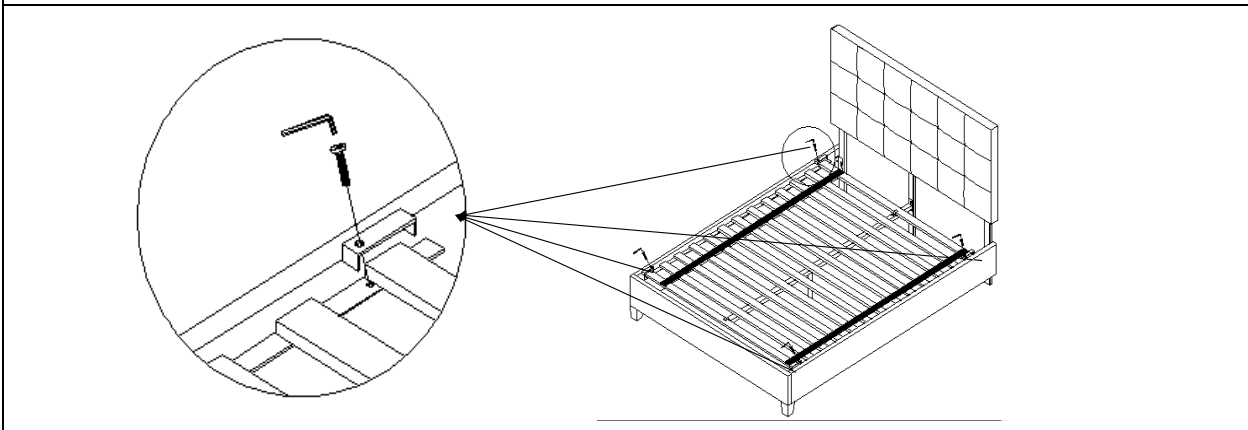
Bed rail and headboard leg screws



Middle slat support installation

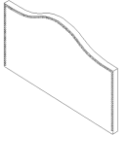






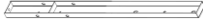

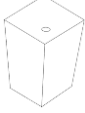

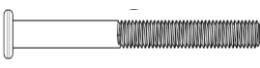


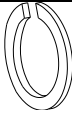
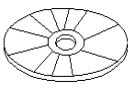




Middle slat support installation

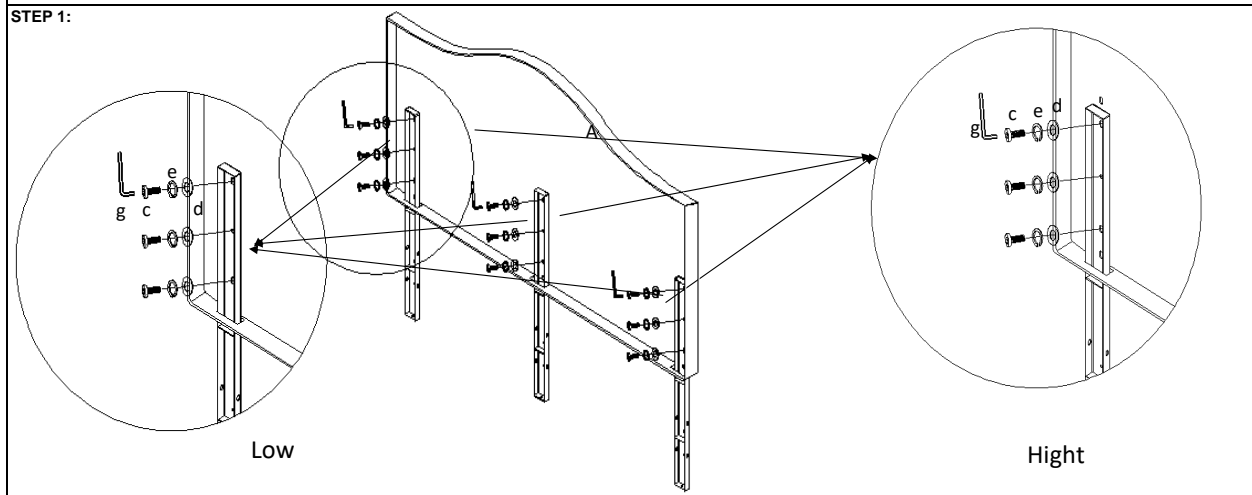


Slats installation

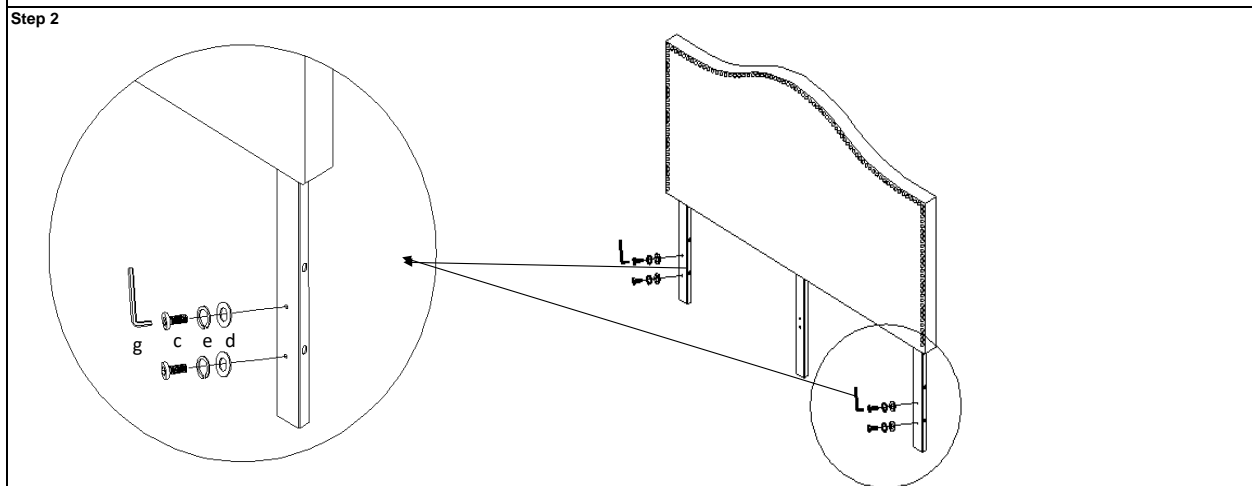
# UBAVE Bed Assembly Instruction

				
Headboard (A) 1pc	Footboard (B) 1pc	Side rail (C) 2pcs	Slat metal cleat (D) 2pcs	Middle support male (E) 1pc
		 50*25*900mm	 59*25*900mm	
Middle support female (E) 1pc	Slats (G) 1pc	Headboard middle leg(H) 1pc	Headboard leg (I) 2pcs	Footboard leg (J) 2 pcs
	 size: M8*100mm	 size: M8*30mm	 size:M8*18*2mm	 M8
Triangle piece (a) 2pcs	Allen head bolt (b) 2pcs	Allen head bolt (c) 42pcs	Flat washer (d) 40pcs	Allen head bolt (e) 40pcs
 sizes:35*2mm	 Ø:5mm			
Allen head bolt (f) 1pc	Allen wrench (g) 1pc	Middle leg (h) 1 pc		

## Installation Steps



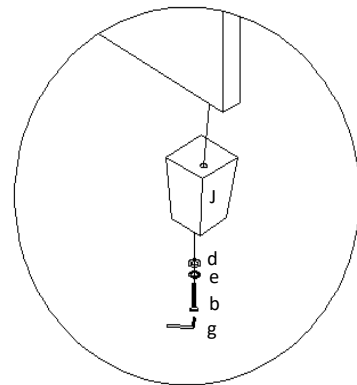
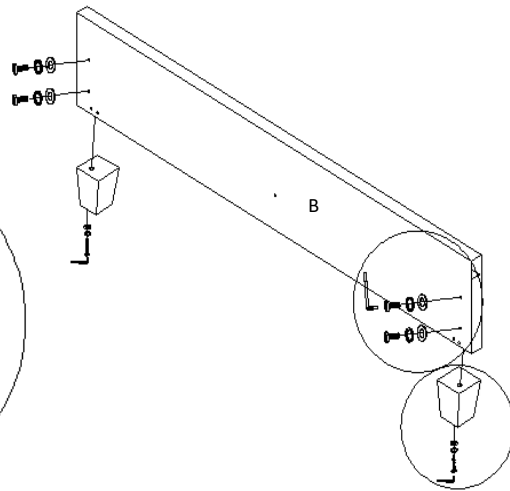
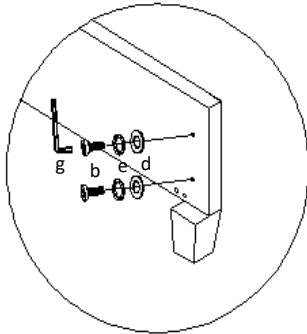
**Headboard legs push through the bottom headboard hole, align the 3 insert nut holes (each side),Tighten all 7 screws.**



**Please do not assemble with power tools, do the same thing for two legs.**

**Step 3**

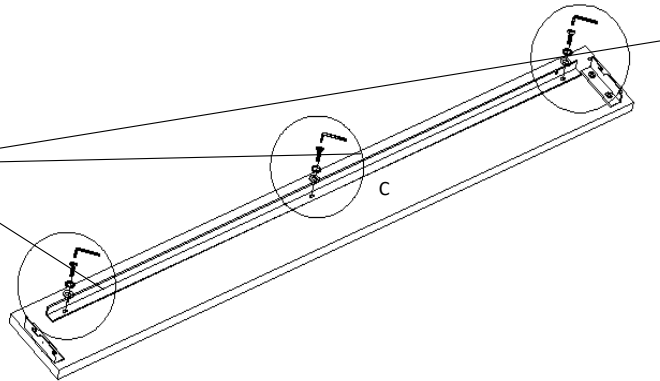
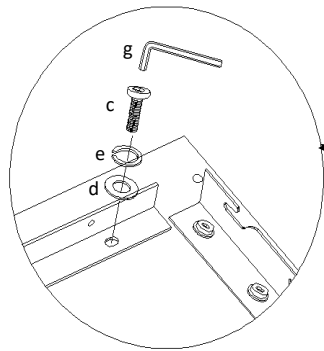
Do not tighten the screws



Tighten the leg.

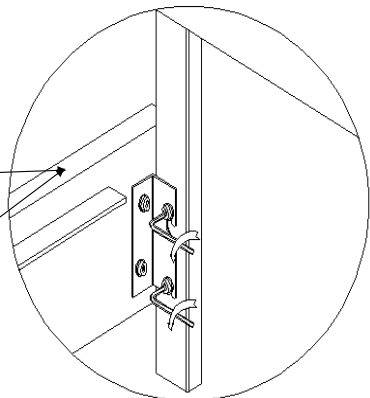
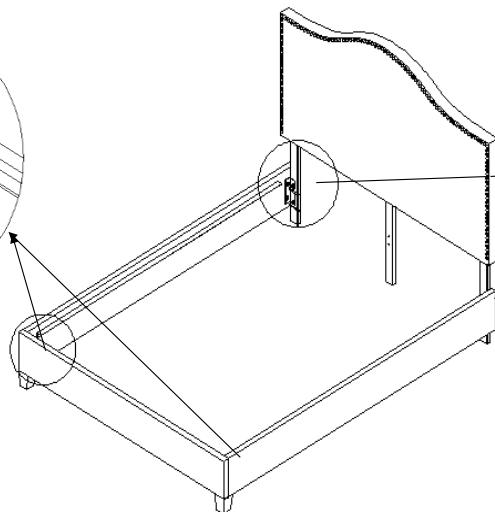
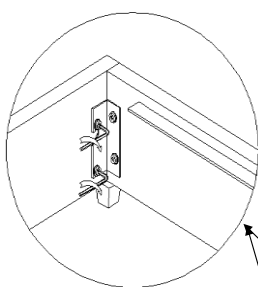
**Footboard installation**

**Step 4**



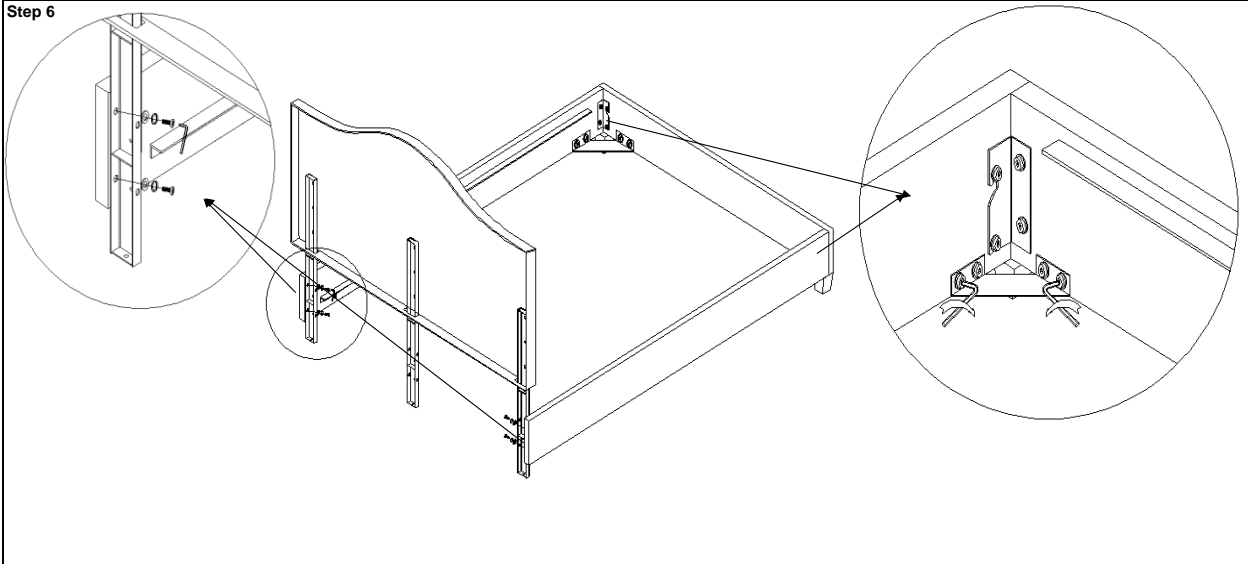
**Bed rails installation**

**Step 5**

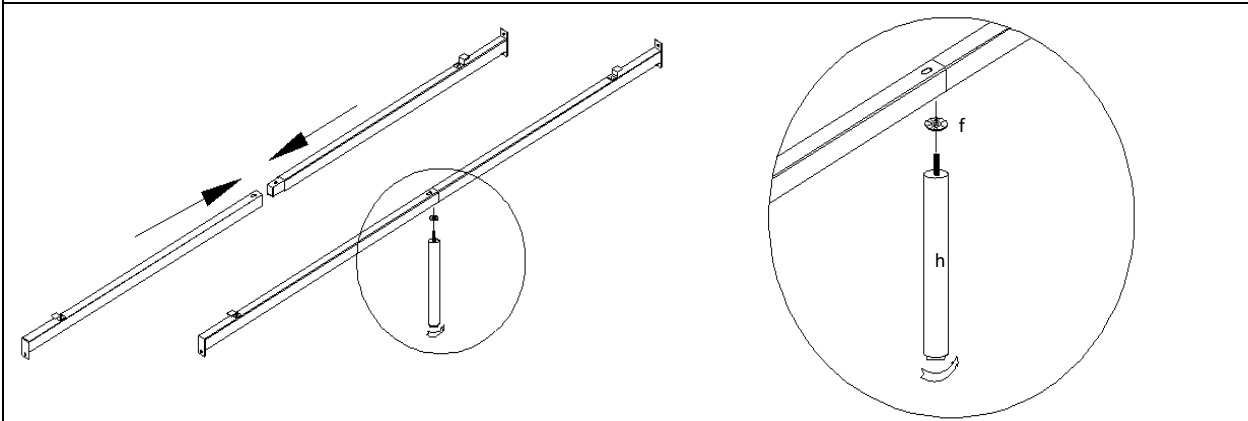


Tighten all 8 screws on HB & FB

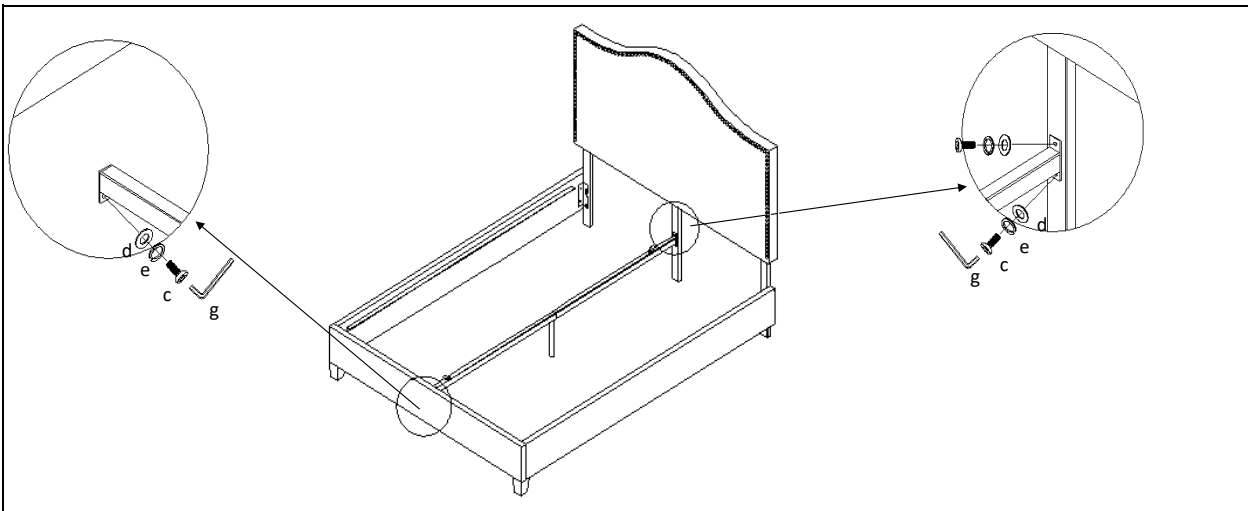
Step 6



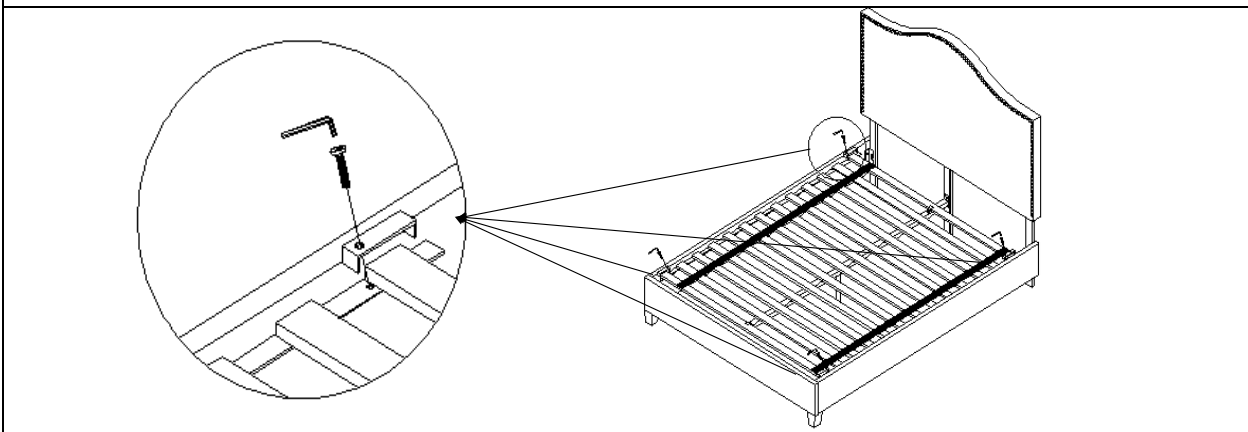
Bed rail and headboard leg screws



Middle slat support installation

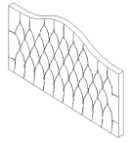








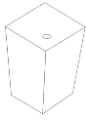

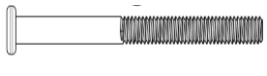


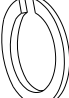
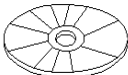




Middle slat support installation

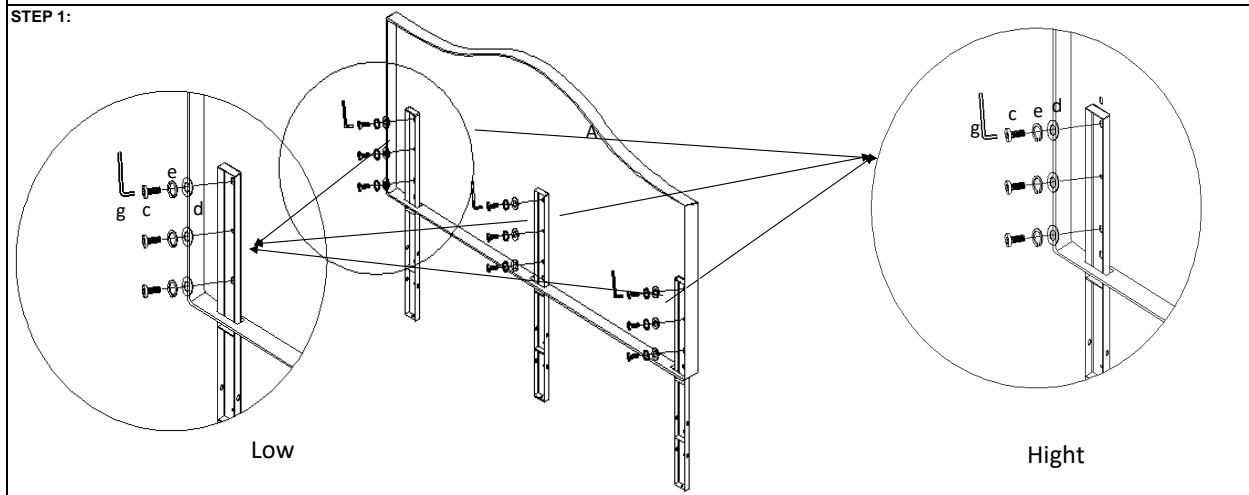


Slats installation

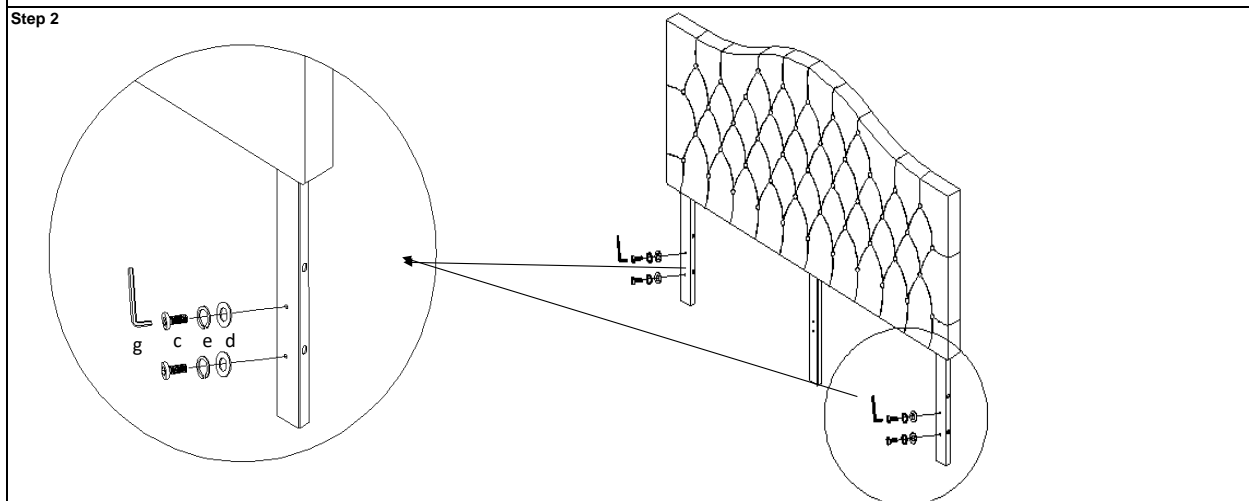
# UBPIP Bed Assembly Instruction

				
Headboard (A) 1pc	Footboard (B) 1pc	Side rail (C) 2pcs	Slat metal cleat (D) 2pcs	Middle support male (E) 1pc
		 50*25*900mm	 59*25*900mm	
Middle support female (E) 1pc	Slats (G) 1pc	Headboard middle leg(H) 1pc	Headboard leg (I) 2pcs	Footboard leg (J) 2 pcs
	 size: M8*100mm	 size: M8*30mm	 size:M8*18*2mm	 M8
Triangle piece (a) 2pcs	Allen head bolt (b) 2pcs	Allen head bolt (c) 42pcs	Flat washer (d) 40pcs	Allen head bolt (e) 40pcs
 sizes:35*2mm	 Ø:5mm			
Allen head bolt (f) 1pc	Allen wrench (g) 1pc	Middle leg (h) 1 pc		

## Installation Steps



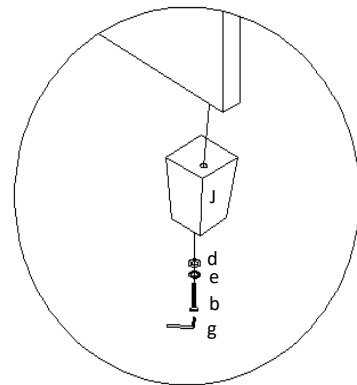
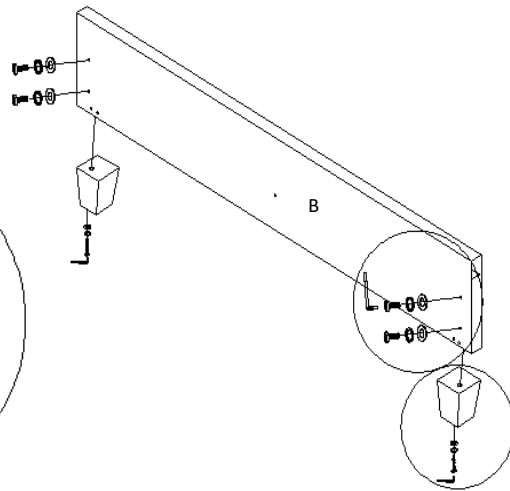
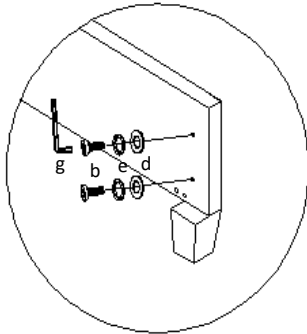
**Headboard legs push through the bottom headboard hole, align the 3 insert nut holes (each side),Tighten all 7 screws.**



**Please do not assemble with power tools, do the same thing for two legs.**

Step 3

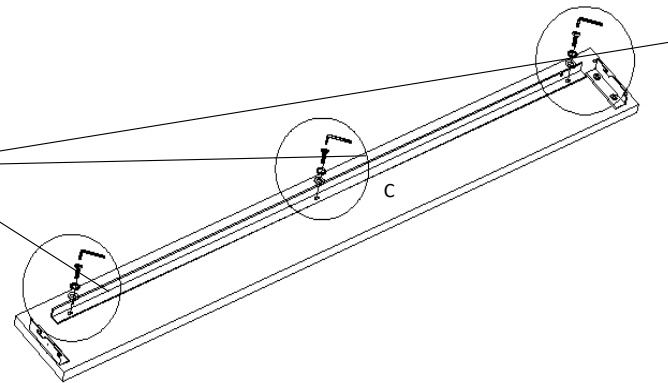
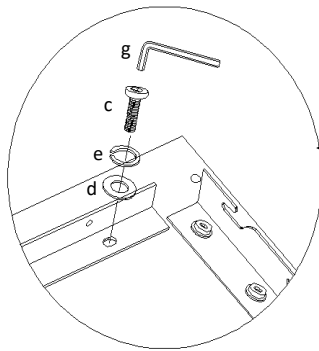
Do not tighten the screws



Tighten the leg.

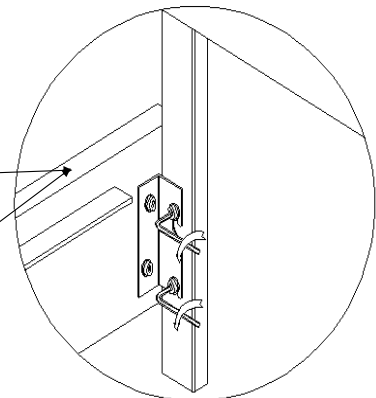
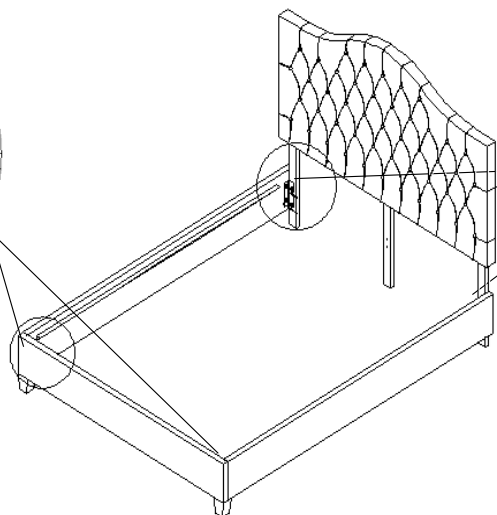
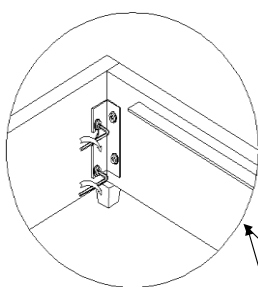
Footboard installation

Step 4



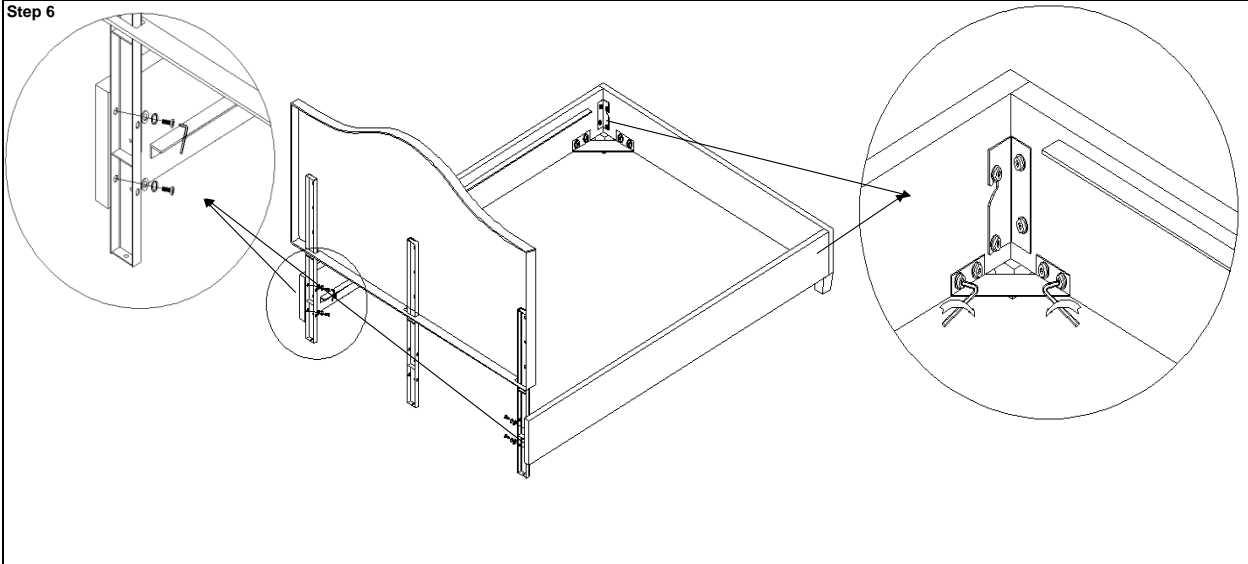
Bed rails installation

Step 5

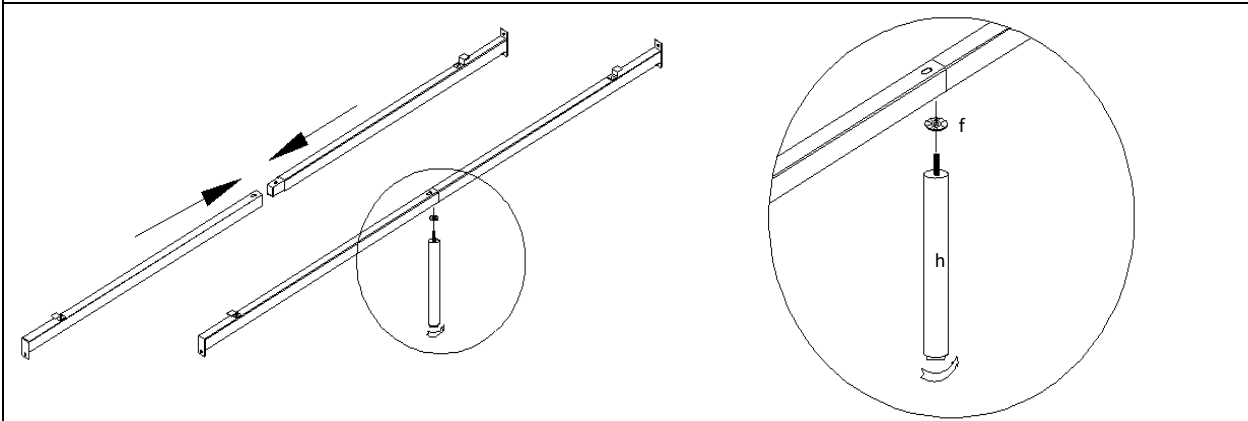


Tighten all 8 screws on HB & FB

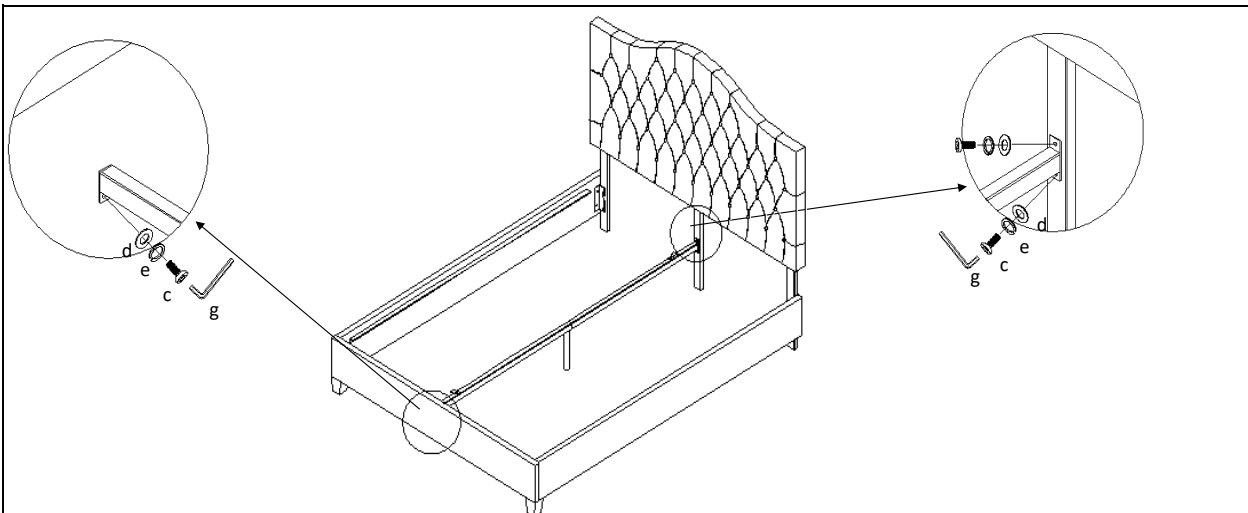
Step 6



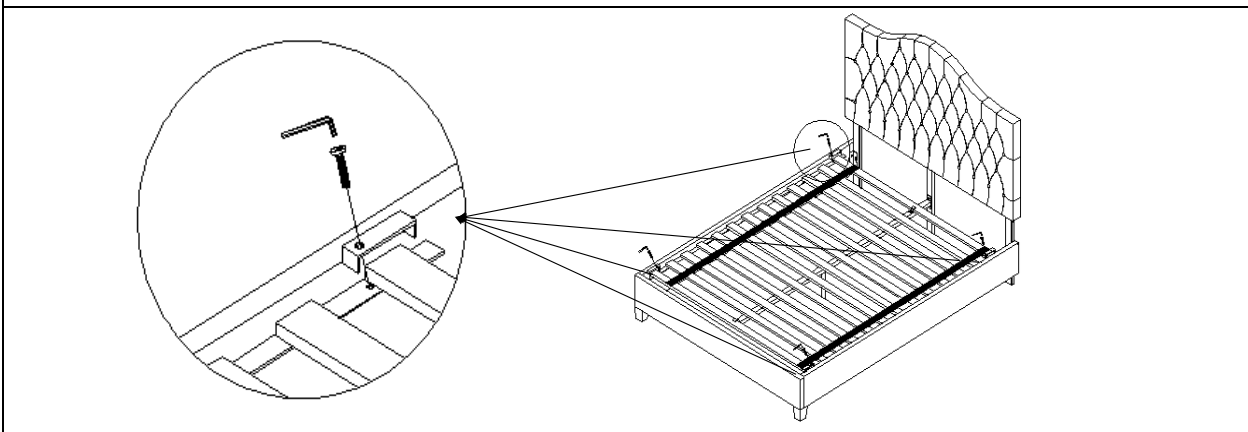
Bed rail and headboard leg screws



Middle slat support installation

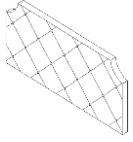






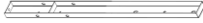

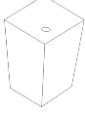

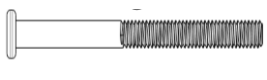



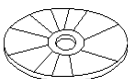




Middle slat support installation

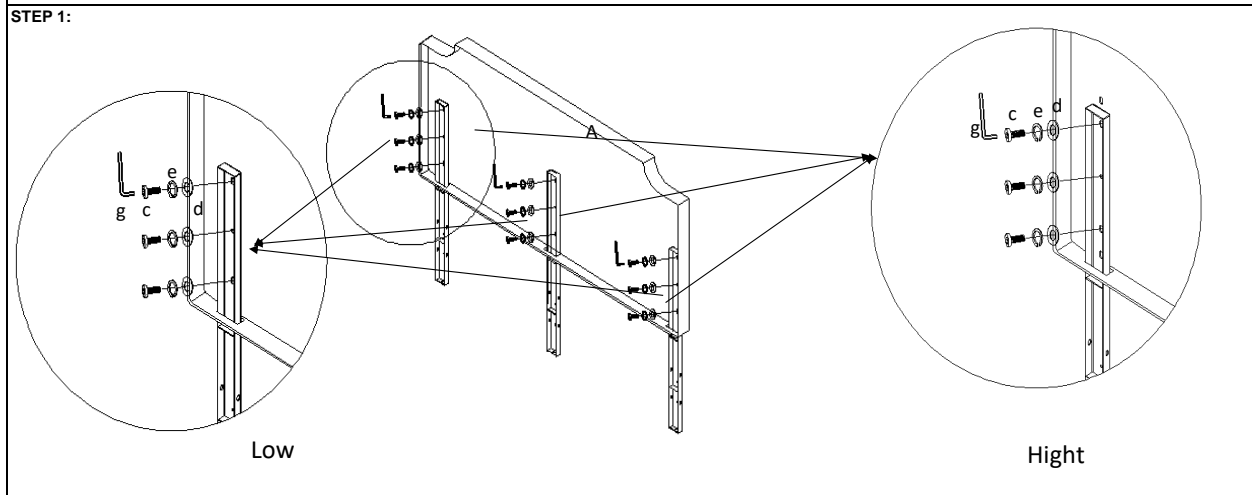


Slats installation

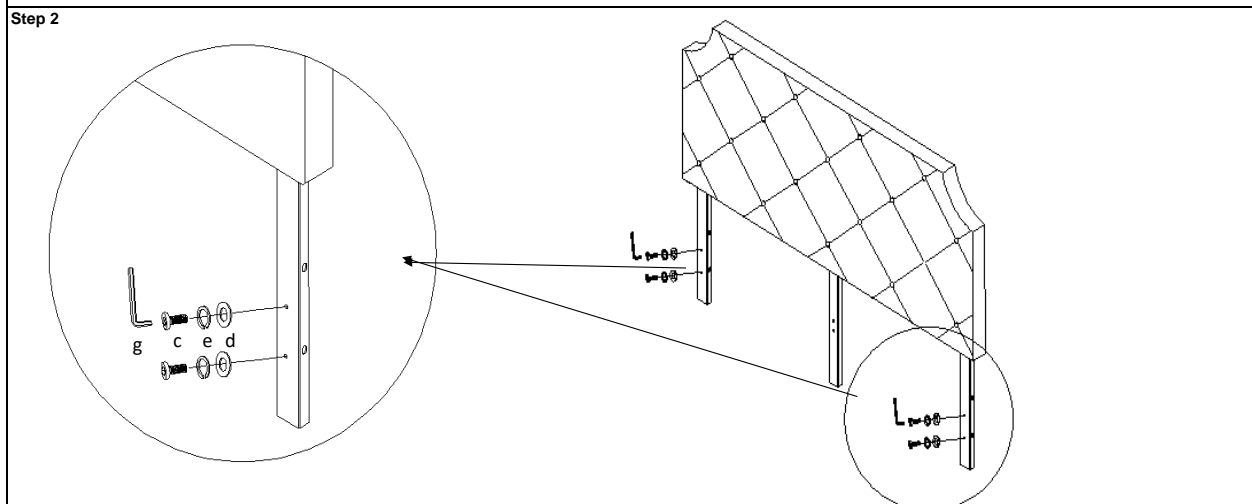
# UBSIN Bed Assembly Instruction

				
Headboard (A) 1pc	Footboard (B) 1pc	Side rail (C) 2pcs	Slat metal cleat (D) 2pcs	Middle support male (E) 1pc
		 50*25*900mm	 59*25*900mm	
Middle support female (E) 1pc	Slats (G) 1pc	Headboard middle leg(H) 1pc	Headboard leg (I) 2pcs	Footboard leg (J) 2 pcs
	 size: M8*100mm	 size: M8*30mm	 size:M8*18*2mm	 M8
Triangle piece (a) 2pcs	Allen head bolt (b) 2pcs	Allen head bolt (c) 42pcs	Flat washer (d) 40pcs	Allen head bolt (e) 40pcs
 sizes:35*2mm	 Ø:5mm			
Allen head bolt (f) 1pc	Allen wrench (g) 1pc	Middle leg (h) 1 pc		

## Installation Steps



**Headboard legs push through the bottom headboard hole, align the 3 insert nut holes (each side),Tighten all 7 screws.**

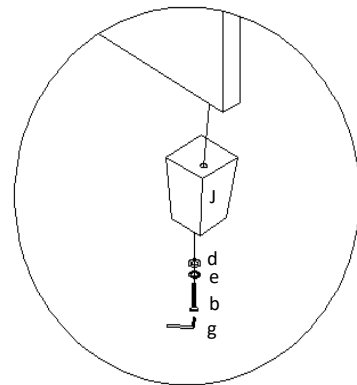
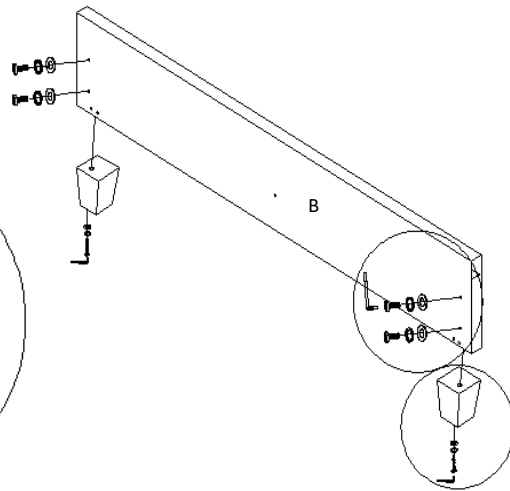
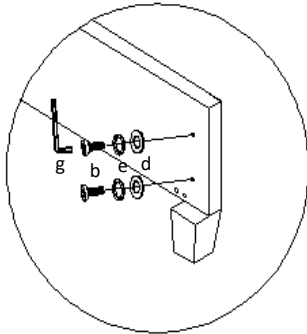


**Please do not assemble with power tools, do the same thing for two legs.**



**Step 3**

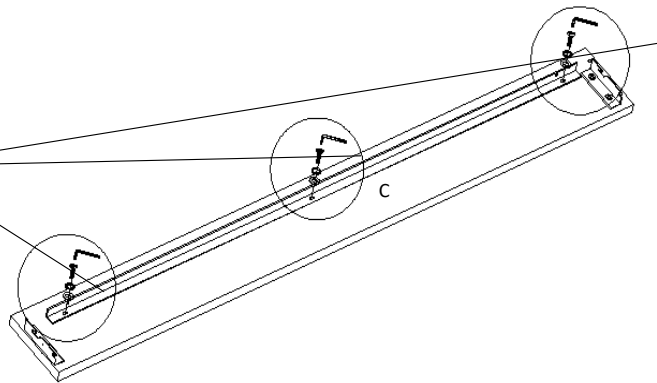
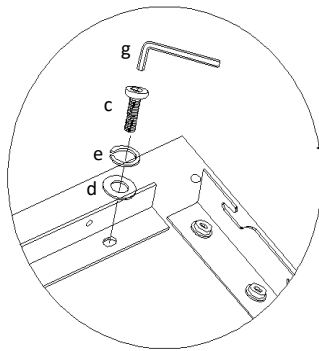
Do not tighten the screws



Tighten the leg.

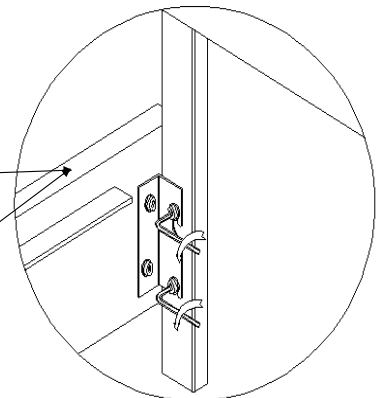
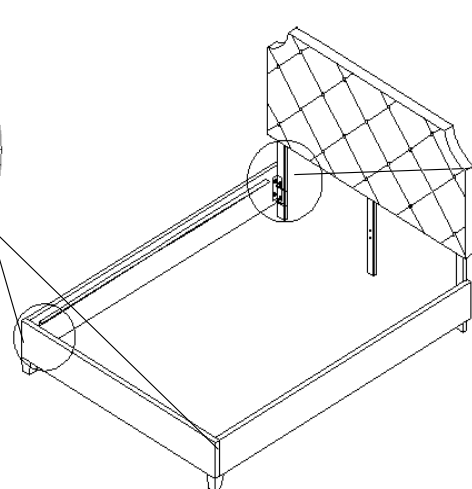
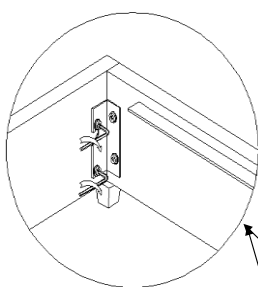
**Footboard installation**

**Step 4**



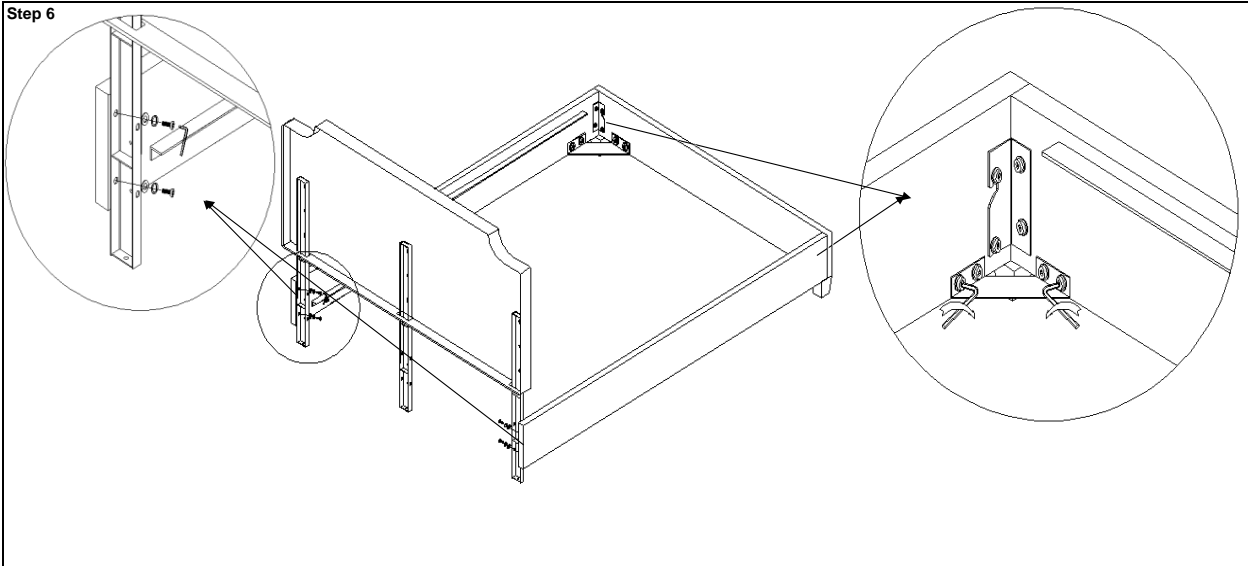
**Bed rails installation**

**Step 5**

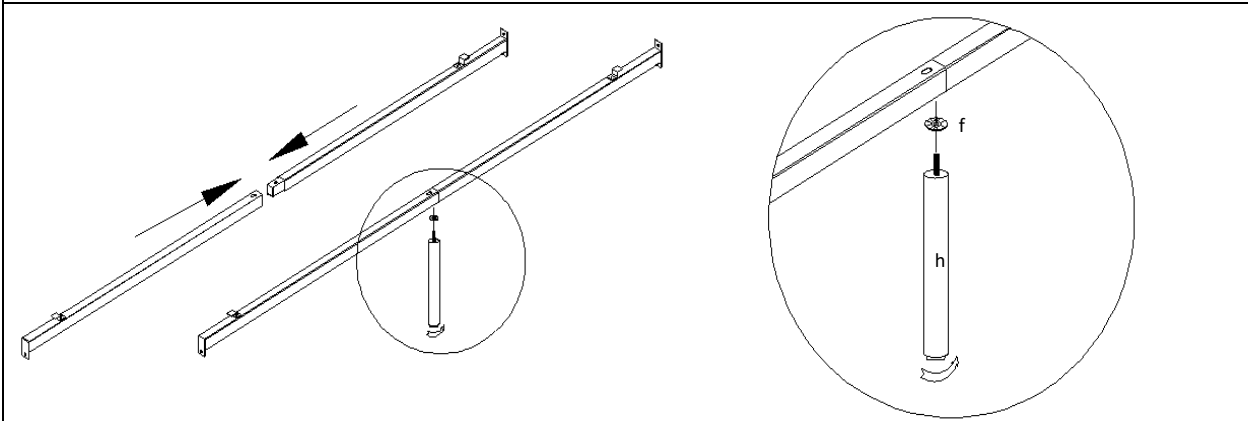


Tighten all 8 screws on HB & FB

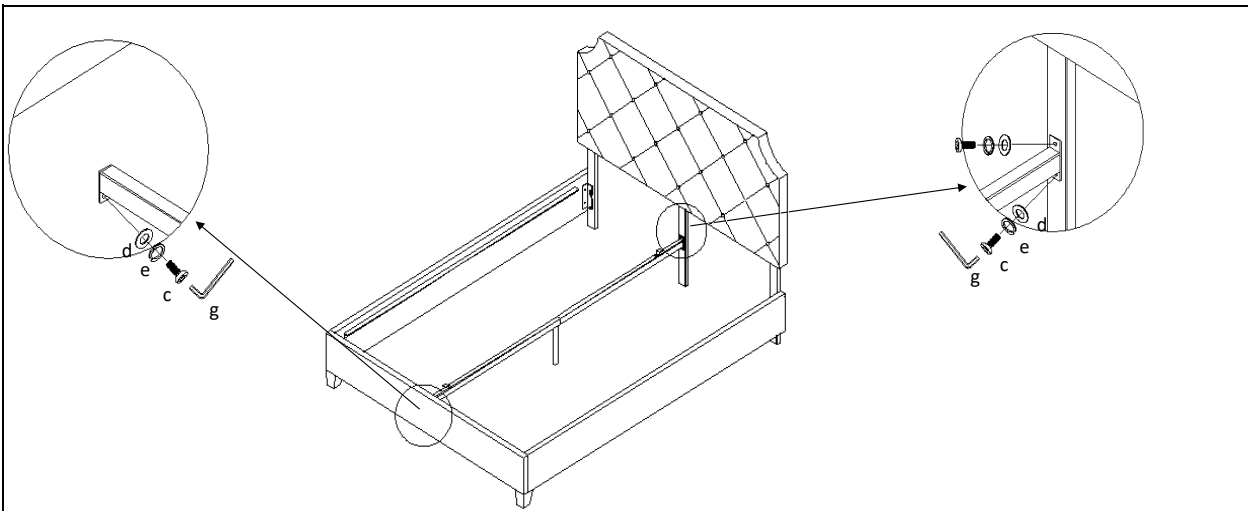
Step 6



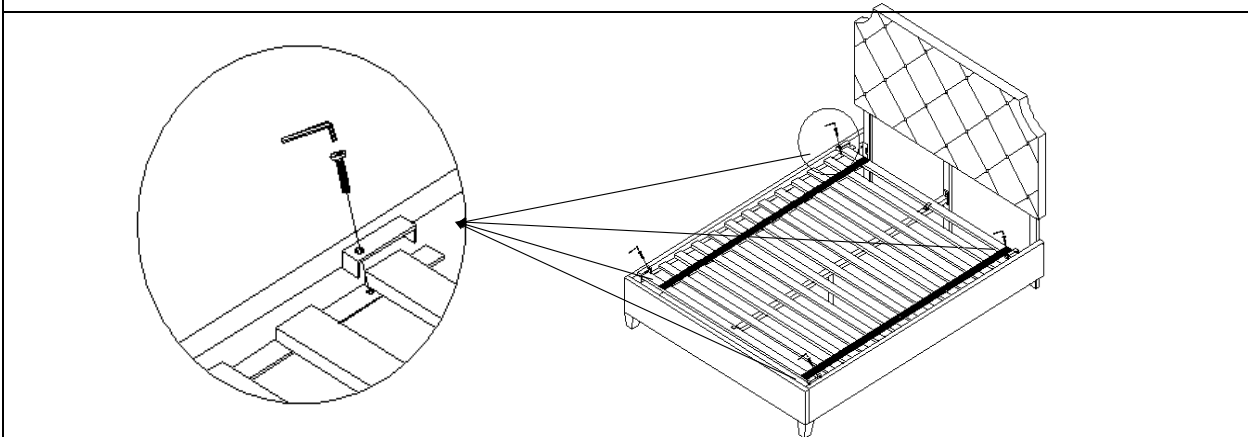
Bed rail and headboard leg screws



Middle slat support installation

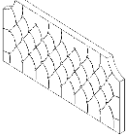






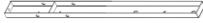

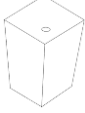

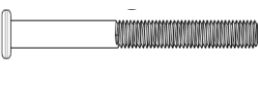
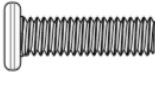

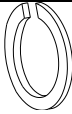
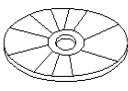




Middle slat support installation

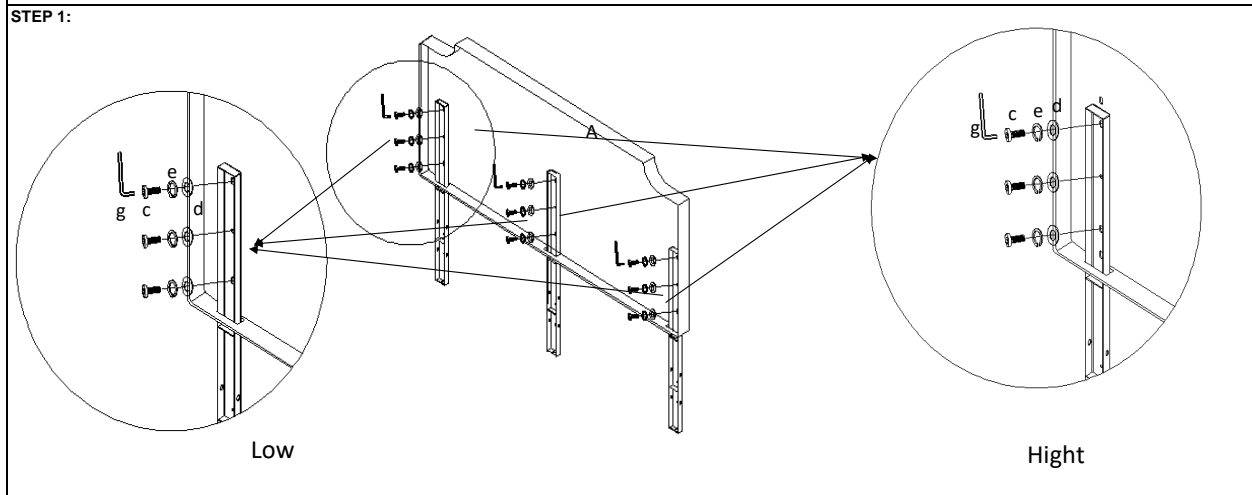


Slats installation

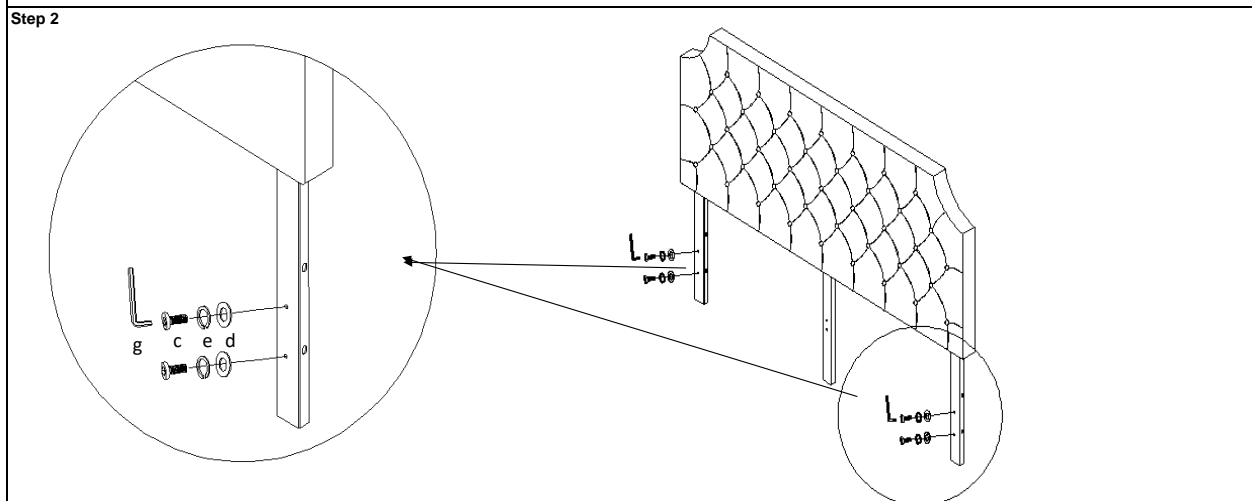
# UBBEL Bed Assembly Instruction

				
Headboard (A) 1pc	Footboard (B) 1pc	Side rail (C) 2pcs	Slat metal cleat (D) 2pcs	Middle support male (E) 1pc
		 50*25*900mm	 59*25*900mm	
Middle support female (E) 1pc	Slats (G) 1pc	Headboard middle leg(H) 1pc	Headboard leg (I) 2pcs	Footboard leg (J) 2 pcs
	 size: M8*100mm	 size: M8*30mm	 size:M8*18*2mm	 M8
Triangle piece (a) 2pcs	Allen head bolt (b) 2pcs	Allen head bolt (c) 42pcs	Flat washer (d) 40pcs	Allen head bolt (e) 40pcs
 sizes:35*2mm	 Ø:5mm			
Allen head bolt (f) 1pc	Allen wrench (g) 1pc	Middle leg (h) 1 pc		

## Installation Steps



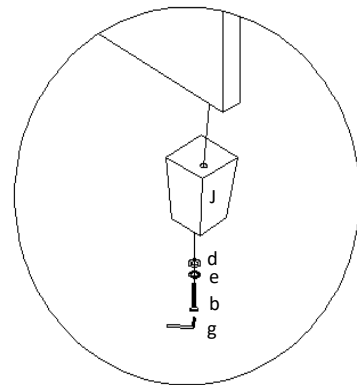
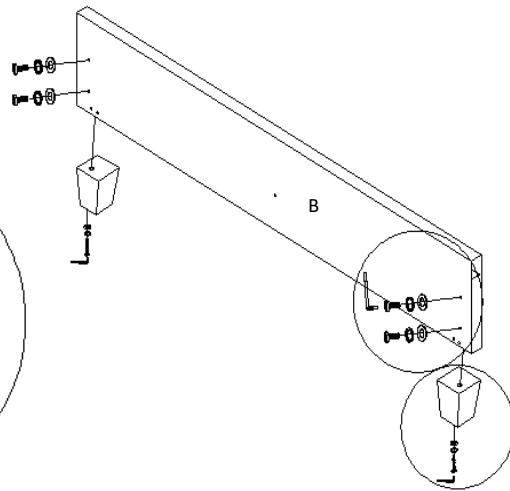
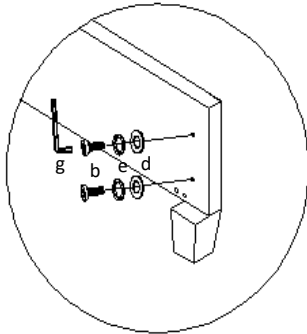
**Headboard legs push through the bottom headboard hole, align the 3 insert nut holes (each side),Tighten all 7 screws.**



**Please do not assemble with power tools, do the same thing for two legs.**

**Step 3**

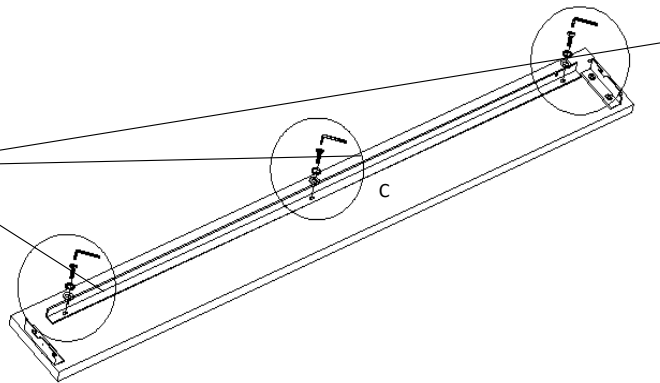
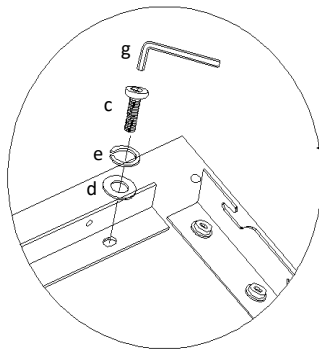
Do not tighten the screws



Tighten the leg.

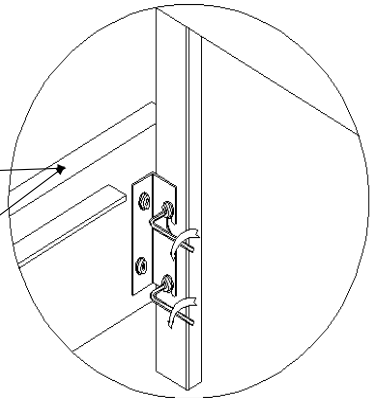
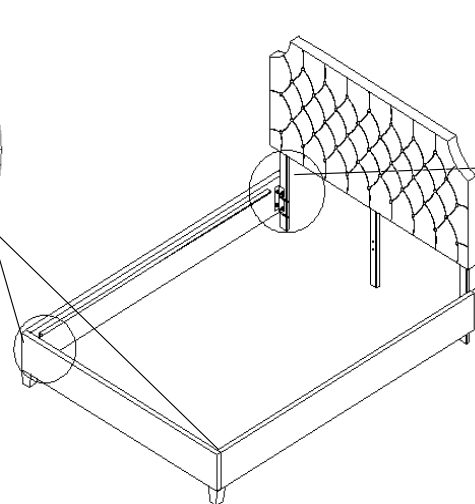
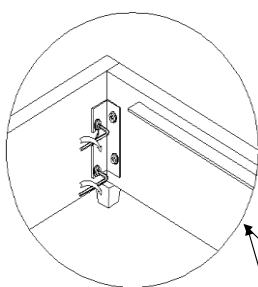
**Footboard installation**

**Step 4**



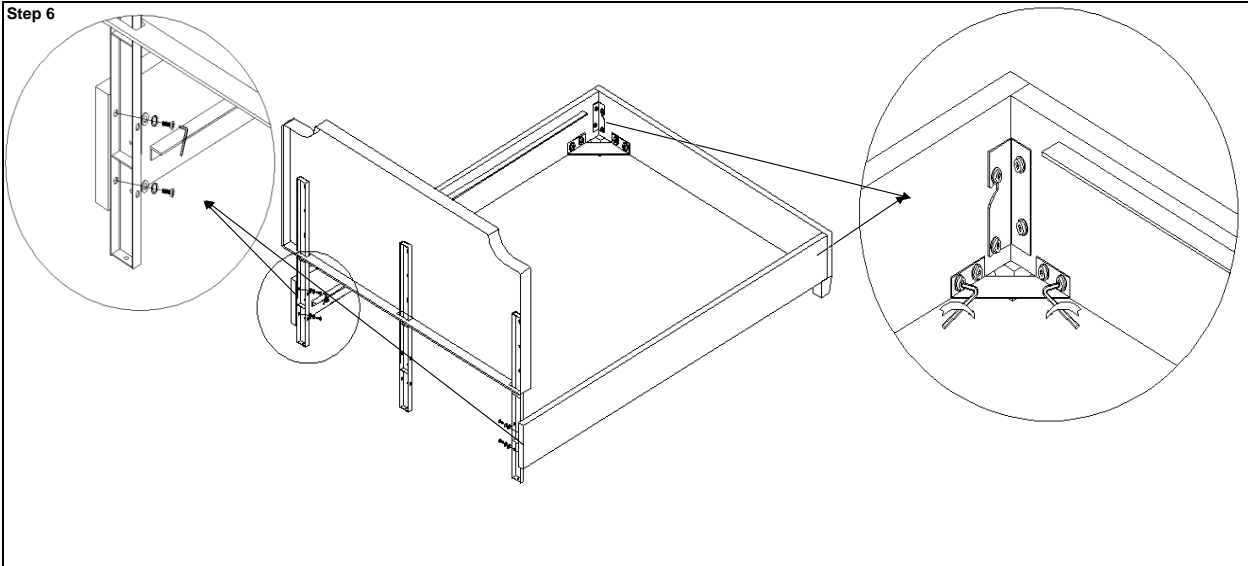
**Bed rails installation**

**Step 5**

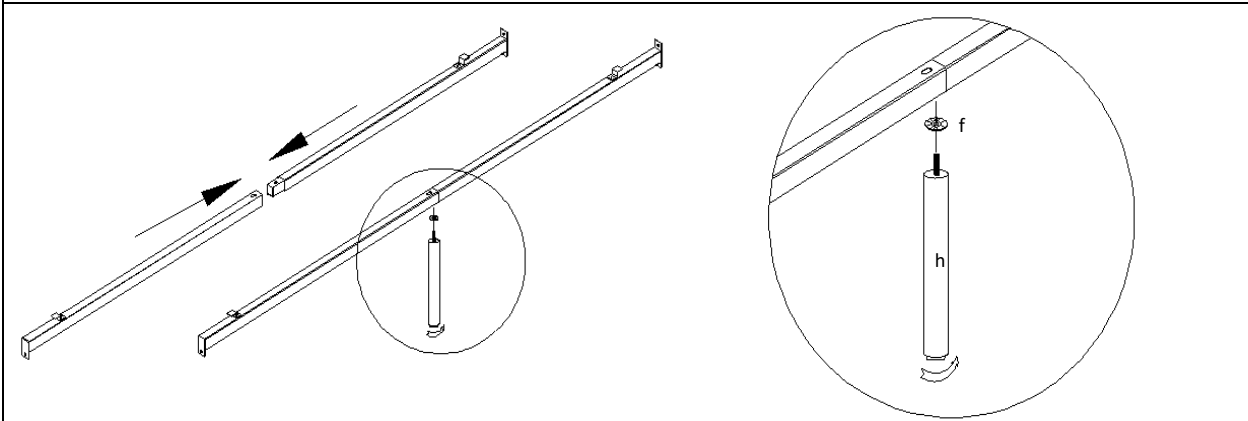


Tighten all 8 screws on HB & FB

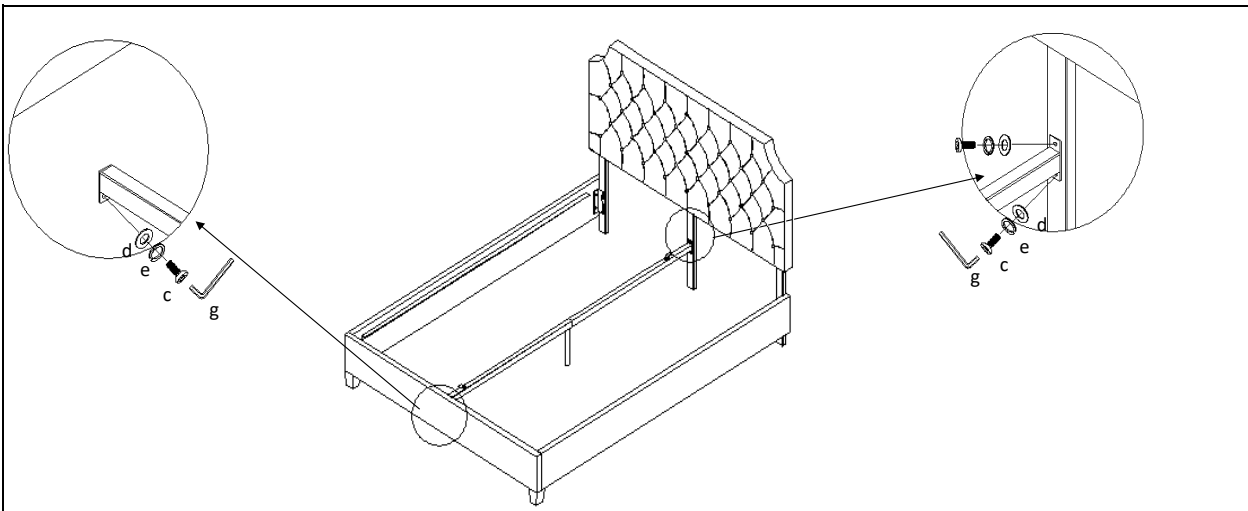
Step 6



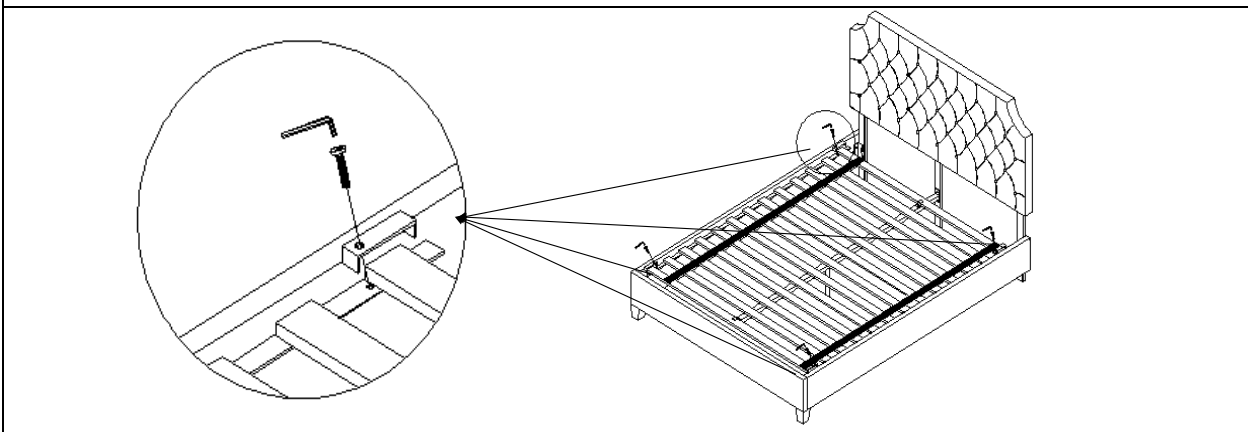
Bed rail and headboard leg screws



Middle slat support installation



Middle slat support installation



Slats installation

**FULL SIZE**