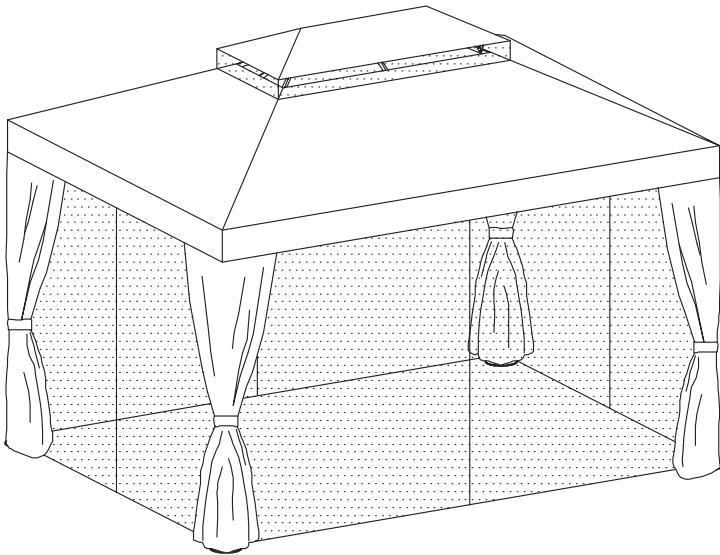




# PURPLE LEAF 10'×12' HARDTOP GAZEBO WITH DOUBLE ROOF

## ASSEMBLY MANUAL



## PURPLE LEAF PRODUCTS

[www.purpleleafgarden.com](http://www.purpleleafgarden.com)

©Copyright 2016-2021 Purple Leaf Inc. All Rights Reserved

**Questions, problems, missing parts** with this product?

Do not hesitate to contact us at

***gazebo@purpleleafgarden.com***

## **Warnings and Cautions**

*Please retain this instruction for future usage and read carefully before assembly.*

*Make sure you have all the parts & hardware as item list shows.*

**2 adults or more** are recommended to install your gazebo.

*Do not discard any of the packaging until you have checked that you have all the parts and pack of fittings.*

*Check all bolts for tightness before use, and periodically check and tighten bolts ensure your gazebo works properly.*

*Some parts might have sharp edges/corners. Please follow basic safety precautions to reduce the risk of hurts.*


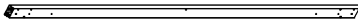
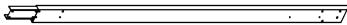
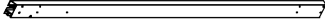
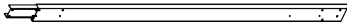



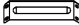







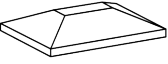

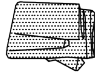


*It is essential to place the gazebo on level ground and not less than **6 feet** from any obstruction such as fences, garages, the house, overhanging branches, laundry lines, or electrical wires.*

## **CHOKER HAZARD**

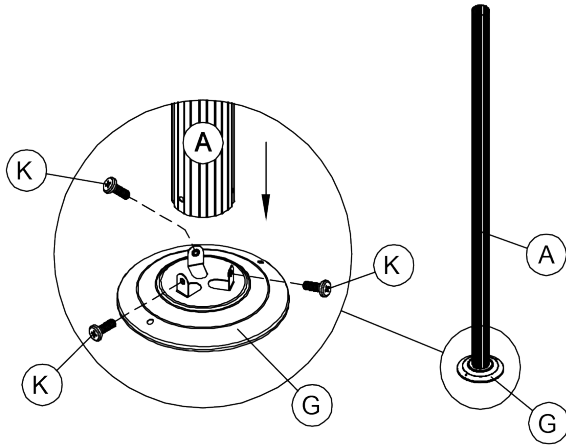
**THIS ITEM CONTAINS SMALL PARTS WHICH CAN BE SWALLOWED BY CHILDREN.**

**PLEASE KEEP IT AWAY FROM CHILDREN UNDER 3 YEARS OLD and PETS DURING INSTALLATION.**

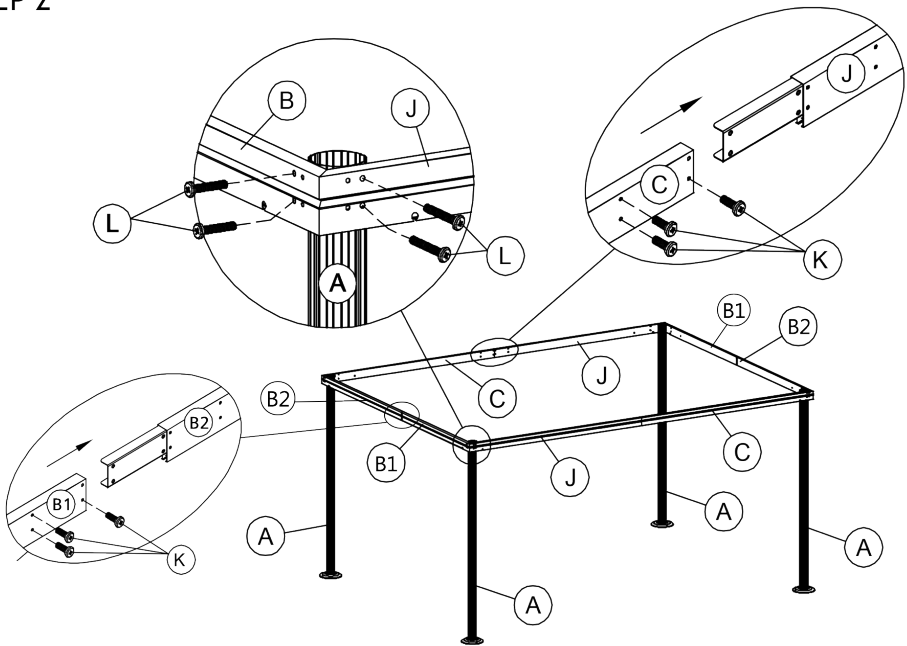
# Parts list

 <p>A x 4PCS</p>		 <p>B1 x 2PCS</p>	
 <p>B2 x 2PCS</p>		 <p>C x 2PCS</p>	
 <p>J x 2PCS</p>		 <p>E x 4PCS</p>	
 <p>F x 4PCS</p>	 <p>G x 4PCS</p>	 <p>H x 4PCS</p>	 <p>I x 8PCS</p>
 <p>W x 1PC</p>	 <p>Y x 2PCS</p>	 <p>M6x12mm K x 80PCS</p>	 <p>M6x38mm L x 16PCS</p>
 <p>M x 8PCS</p>	 <p>N x 1PC</p>	 <p>O x 1PC</p>	 <p>P x 4PCS</p>
 <p>Q x 4PCS</p>	 <p>R x 98PCS</p>	 <p>D x 4PCS</p>	

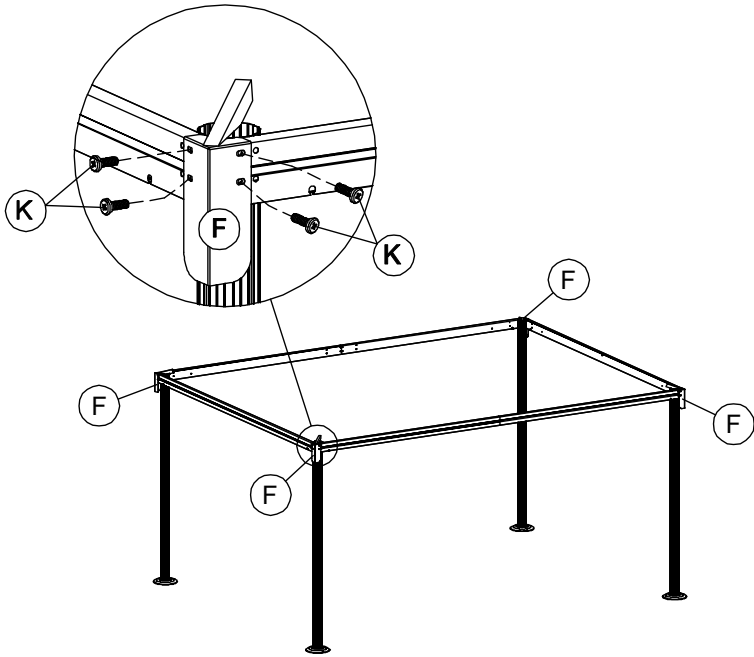
# STEP 1



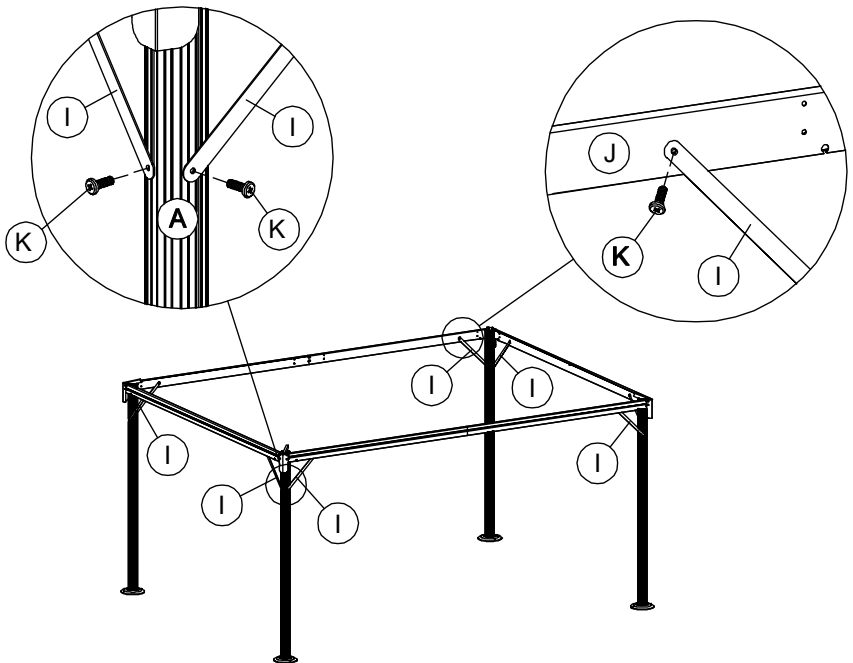
# STEP 2



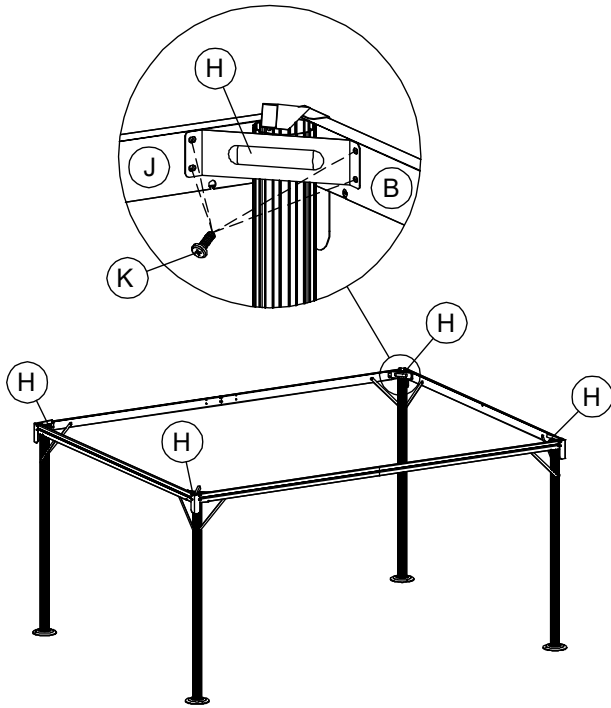
### STEP 3



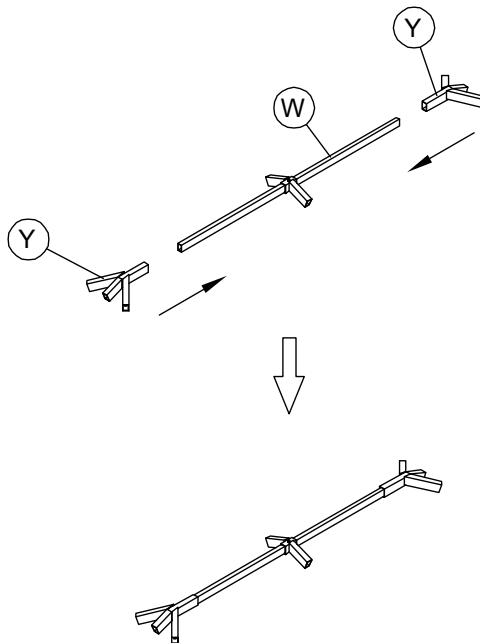
### STEP 4



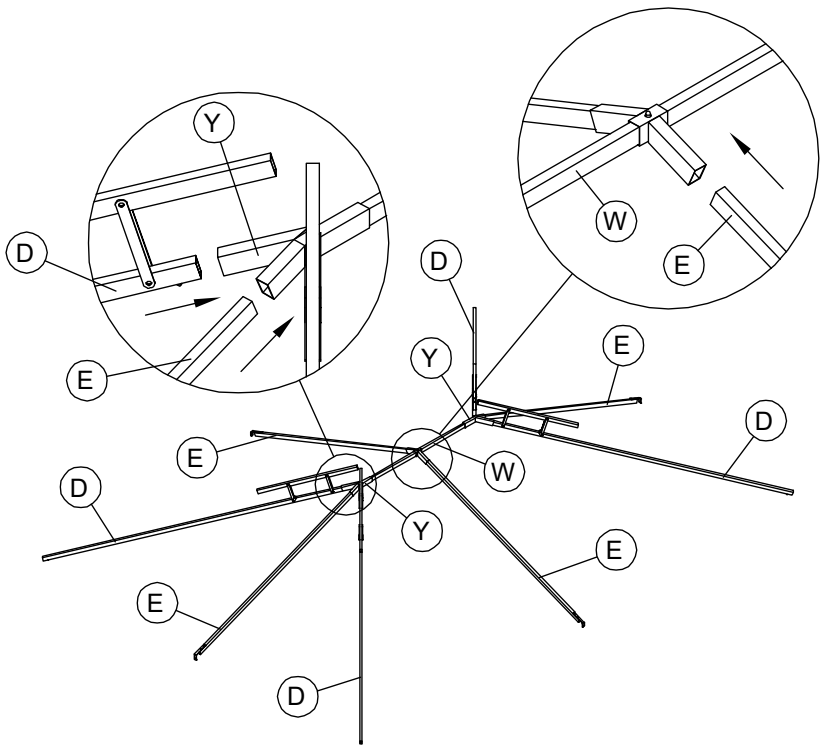
## STEP 5



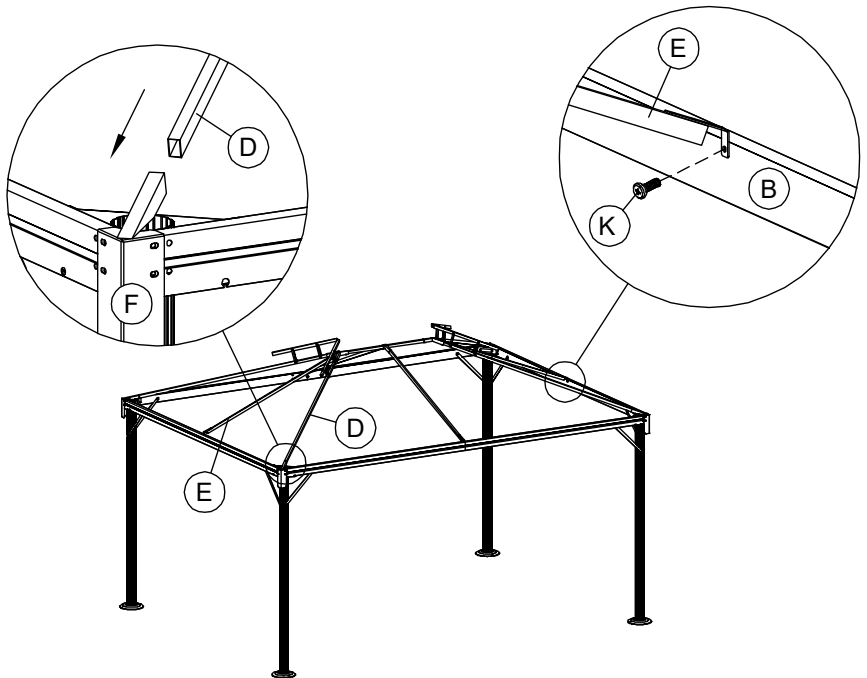
## STEP 6



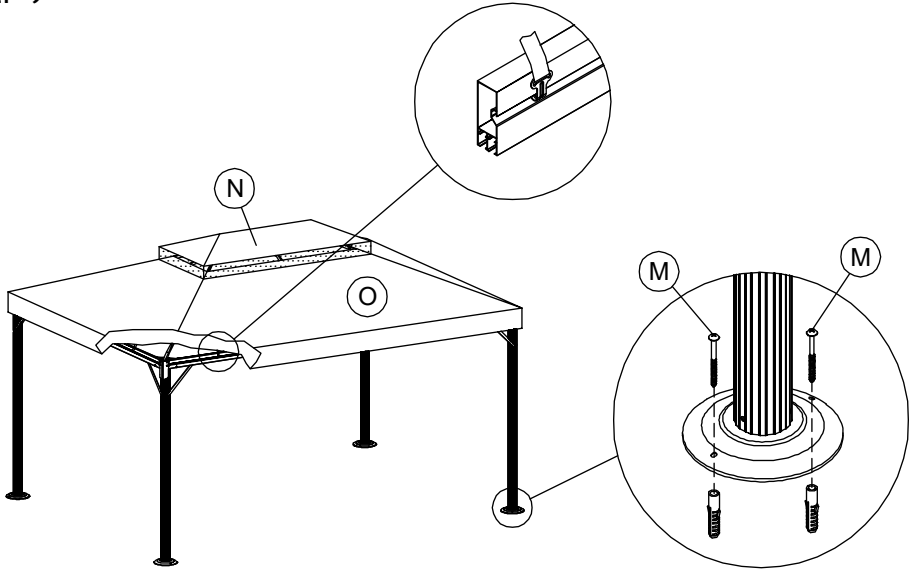
# STEP 7



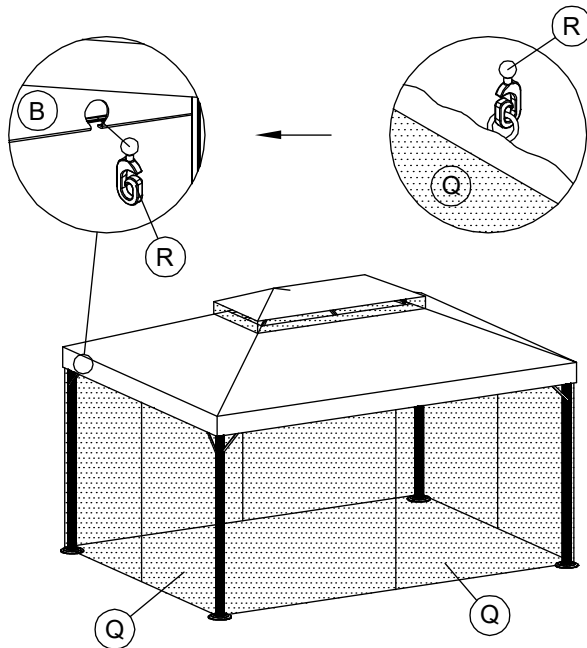
# STEP 8



STEP 9

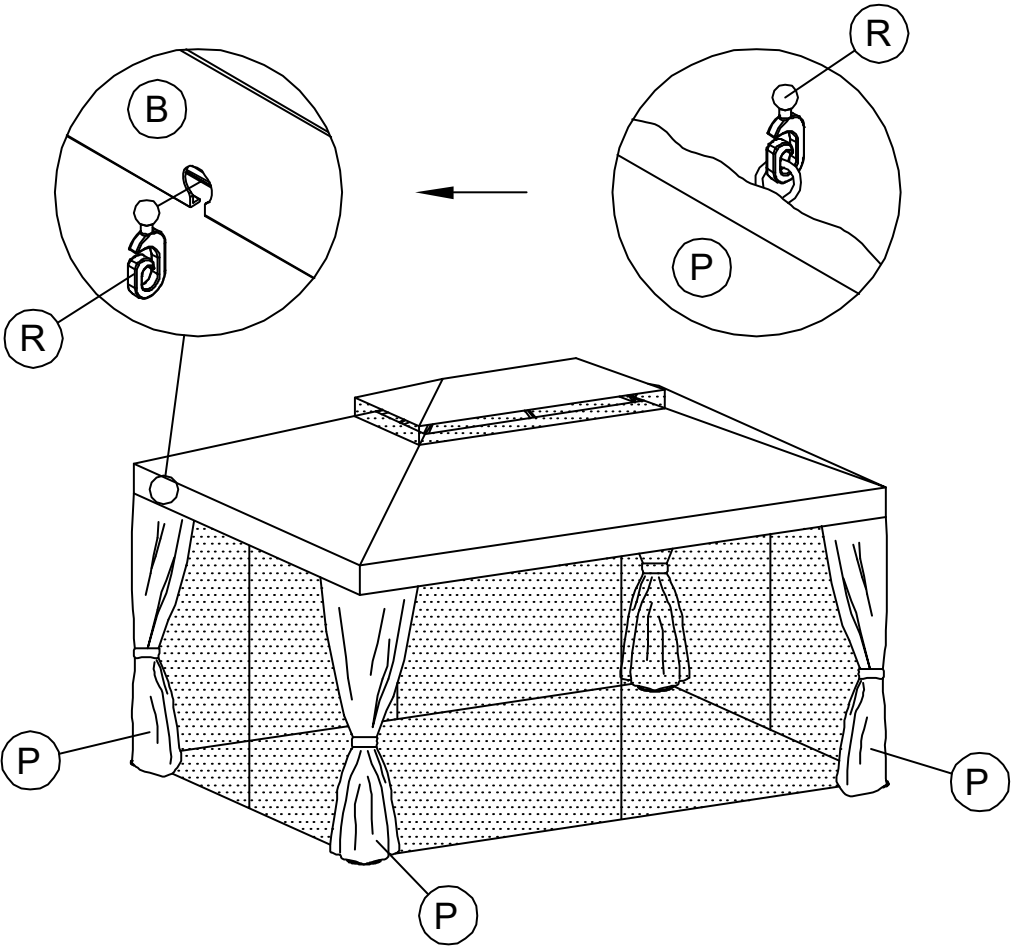


STEP 10





STEP 11



# ***Care and Cleaning***

*Wash frame parts and fabric with mild soap and water, rinse thoroughly.*

*Dry frame completely and allow the fabric to drip dry.*

*Do not use bleach, acid, or other solvents on the fabric or frame parts.*

*Please inspect and tighten all bolts or fasteners on a regular basis to ensure proper performance and safety of your gazebo.*

# SUPPORT

[www.purpleleafgarden.com](http://www.purpleleafgarden.com)

[gazebo@purpleleafgarden.com](mailto:gazebo@purpleleafgarden.com)

# SOCIAL MEDIA

Follow us on Instagram and Facebook

 [www.purpleleafgarden.com/fb](http://www.purpleleafgarden.com/fb)

 [www.purpleleafgarden.com/ins](http://www.purpleleafgarden.com/ins)



*Purple Leaf Inc.*

*1820 E Locust St, Ontario*

*CA, 91761, US*

*©Copyright 2016-2021 Purple Leaf Inc.*

*All Rights Reserved*