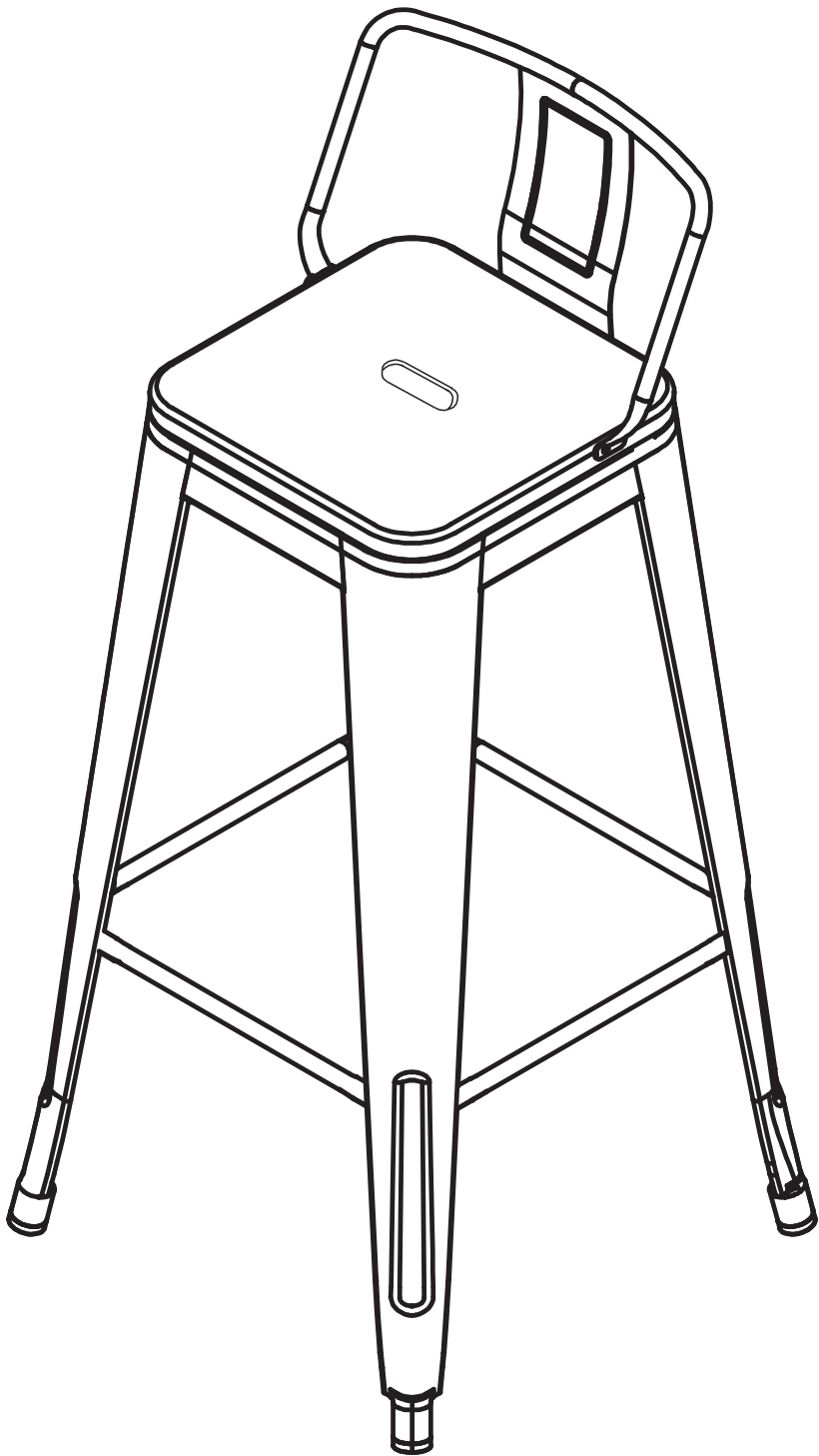


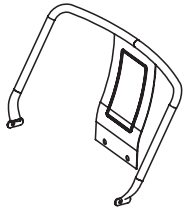
Metal Chair



 THIS INSTRUCTION BOOKLET CONTAINS IMPORTANT SAFETY INFORMATION. PLEASE READ AND KEEP FOR FUTURE REFERENCE.

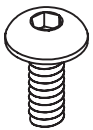
Parts&Hardware

A



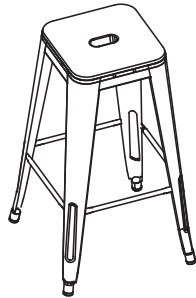
Back
1pc *4

1



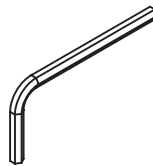
Short Bolts
4pcs *4

B





Metal Base
1pc*4

2

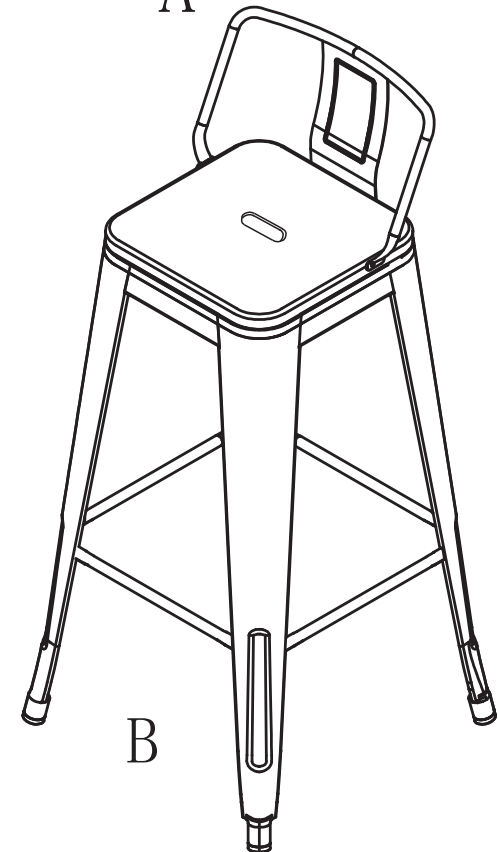


Wrench
1pc

 Before you throw the package, please ensure that you have all the parts needed for the assembly.

 **Hardware Note:**
Please do not completely tighten all the hardware, until the entire assembly is complete.

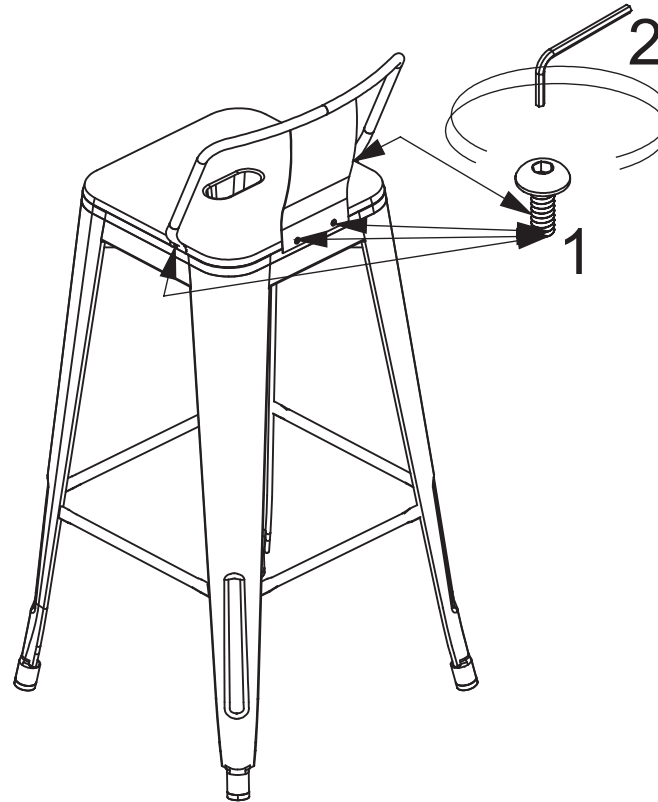
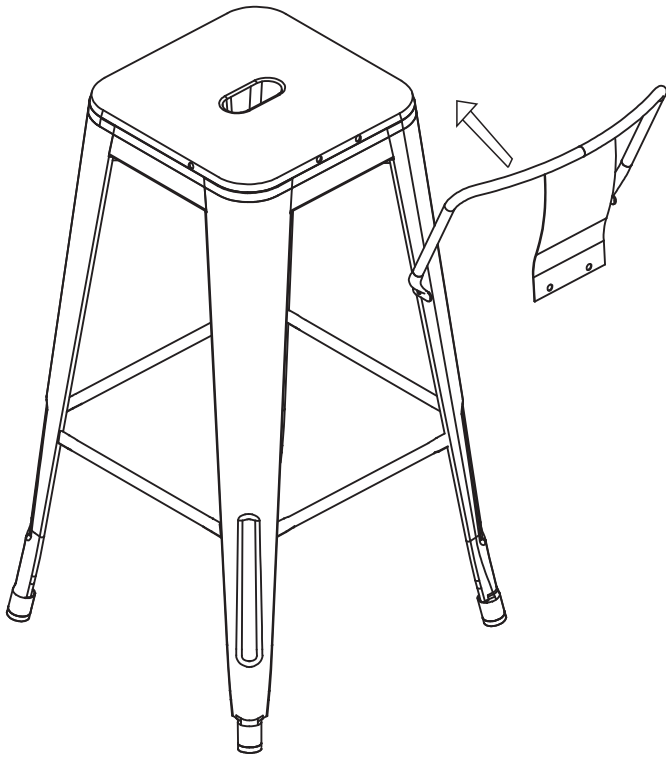
A



B

Step 1:

Attach **(B)** to **(A)** using **(1)** and with **(2)** to tighten.



! Hardware Note:
Please do not completely tighten all the hardware,
until the entire assembly is complete.