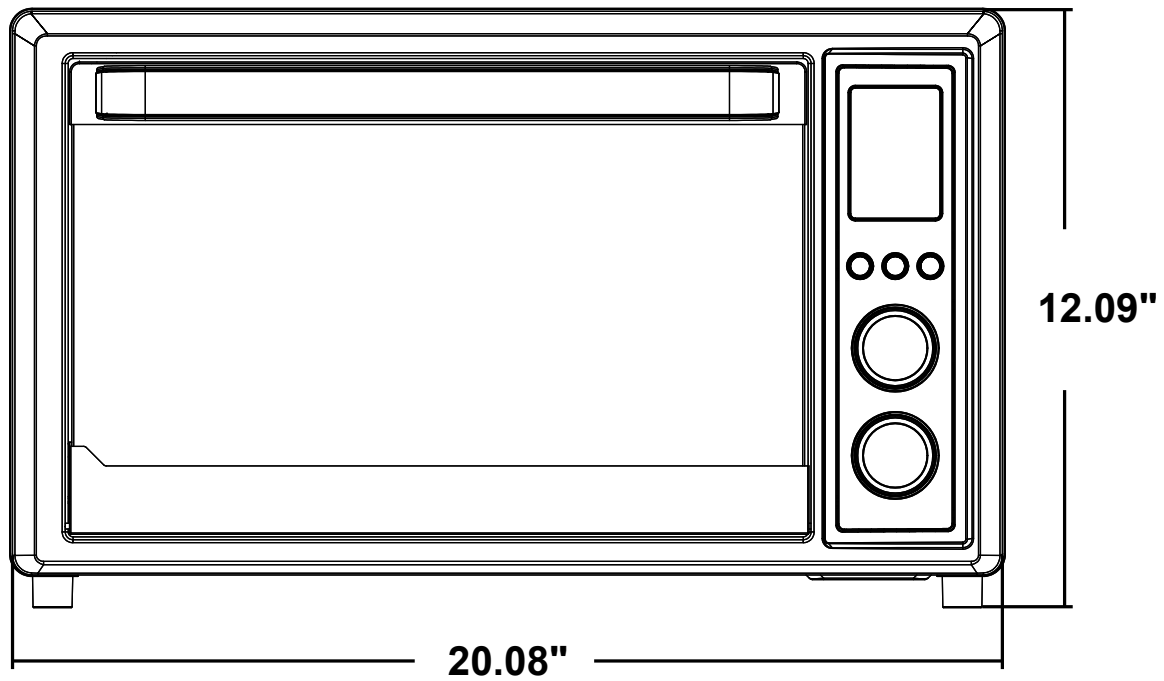
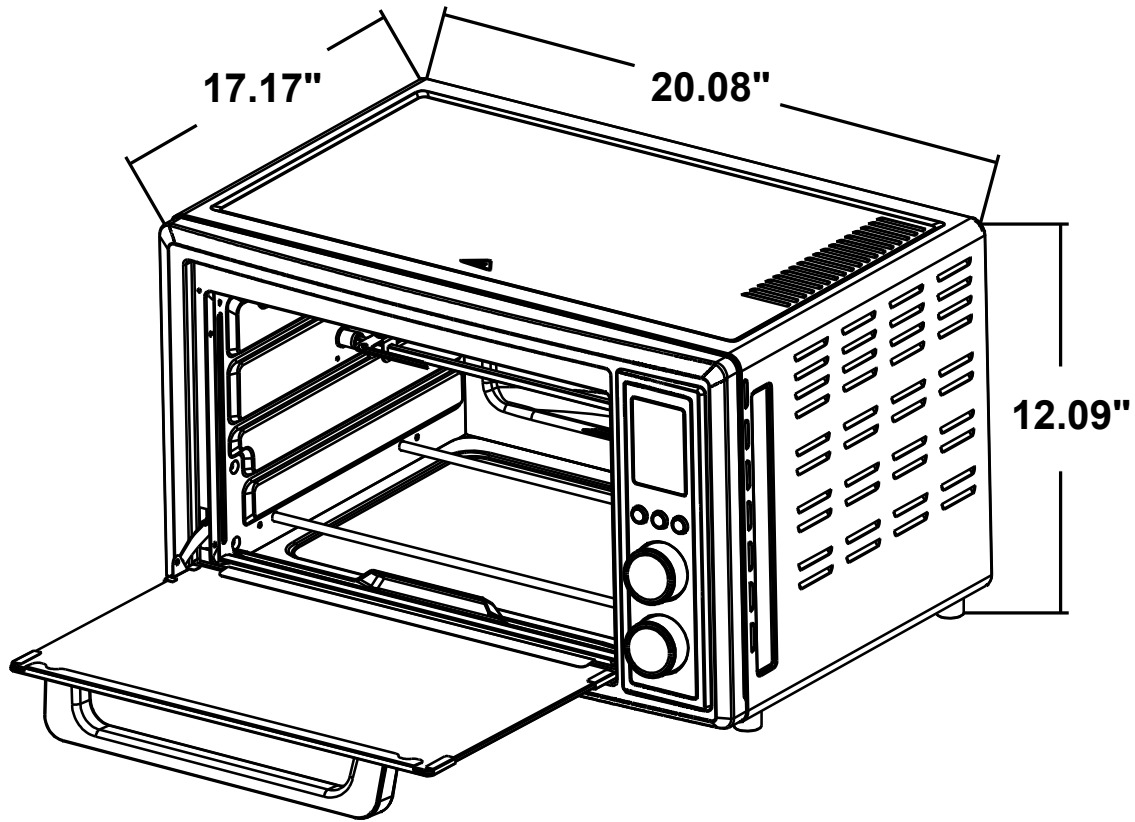




COS-317AFOSS



Internal Dimensions (WxDxH): 14.17" x 13.82" x 9.45"
Product Capacity: 1.1 cu. ft.
Product Weight: 19.95 lbs.