

ZEPHYR

WWW.ZEPHYRONLINE.COM

Stainless Steel Duct Cover

AK0720 - 30"

AK0728 - 48"

AK0726 - 36"

AK0724 - 54"

AK0722 - 42"

AK1720 - 30"

AK1728 - 48"

AK1726 - 36"

AK1724 - 54"

AK1722 - 42"

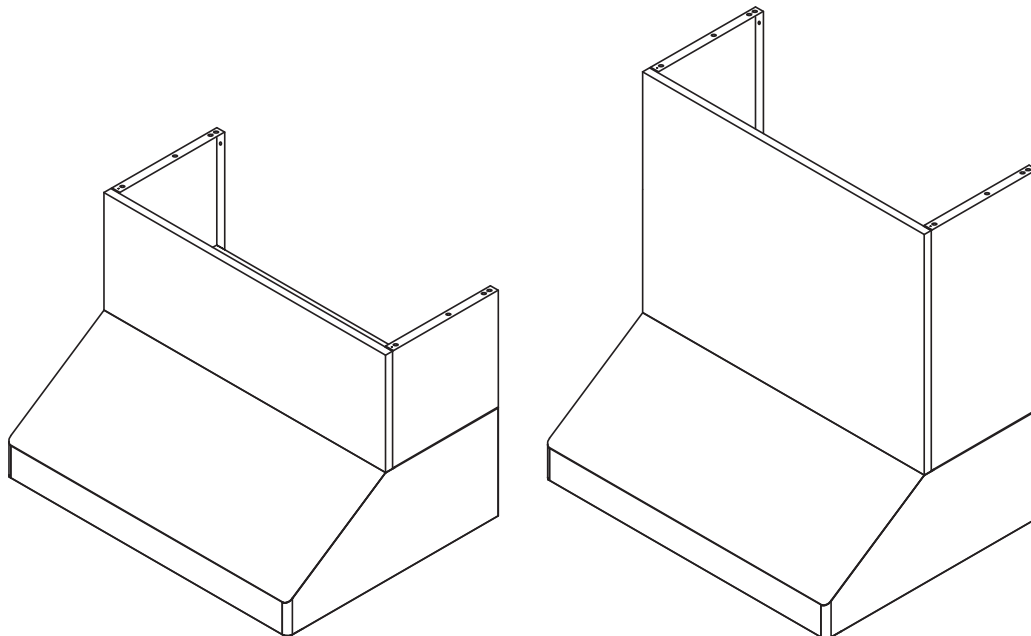
AK0736BS - 36"

AK0742BS - 42"

AK0748BS - 48"

AK0754BS - 54"

Use, Care, and Installation Guide



| | Page |
|--------------------------------|------|
| List of Materials..... | 3 |
| Specifications | 4 |
| Installation Instructions..... | 5 |
| Maintenance | 6 |
| Contact Us | 6 |

List of Materials

Parts Supplied

| Quantity | Part |
|----------|---------------------------|
| 1 | Center panel |
| 2 | Side panels |
| 12 | Philips head metal screws |

If any parts are missing, please call 1.888.880.8368 for replacements.

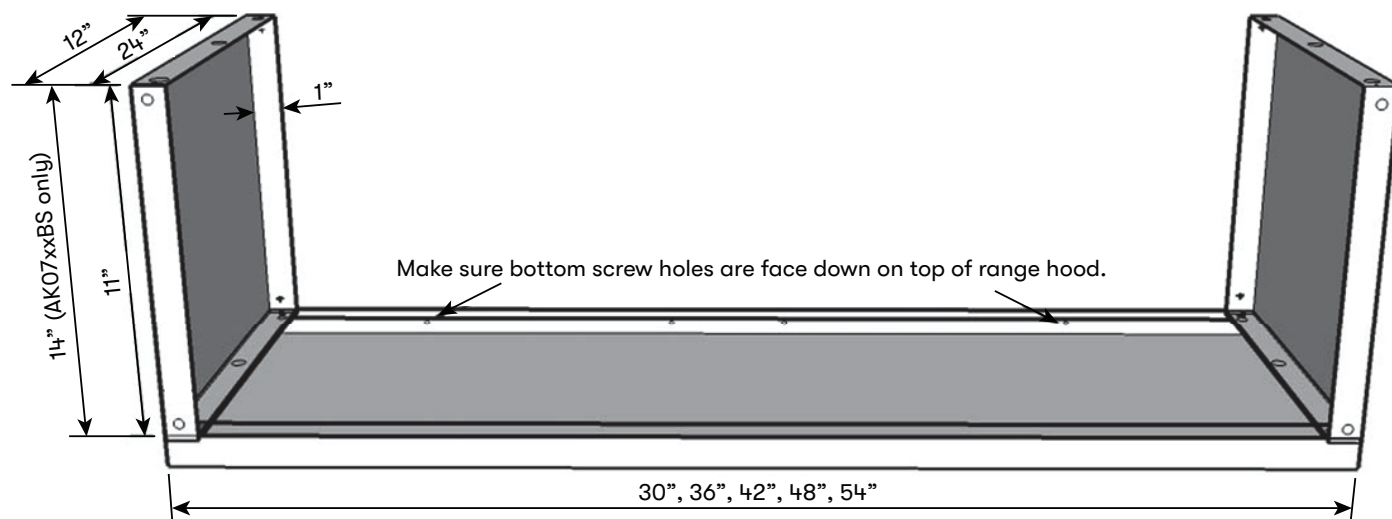
Specifications

AK072x and AK172x

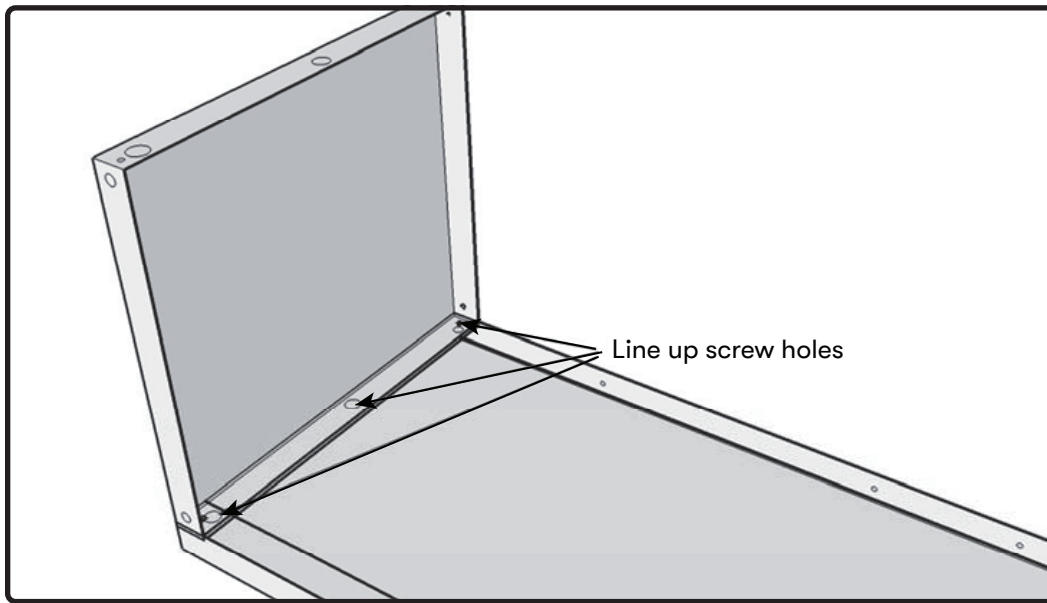
- ▶ The AK072x and AK172x stainless steel duct covers are compatible with the following models: AK70, AK73, AK74, and AK75.
- ▶ AK072x duct covers have a 12" height, and AK172x duct covers have a 24" height.
- ▶ The total assembled depth is 12".

AK07xxBS

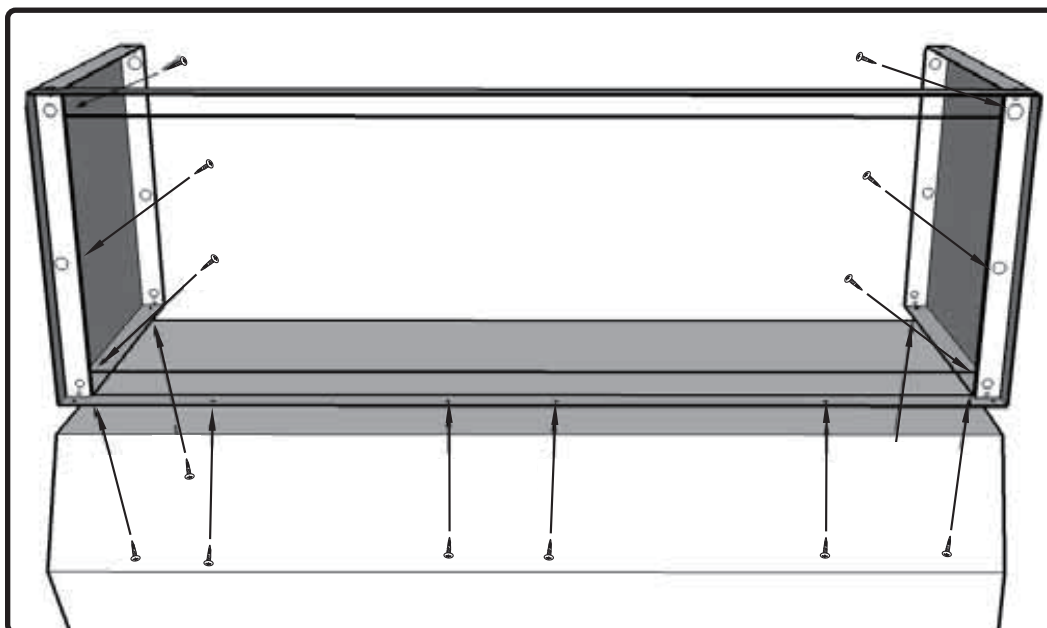
- ▶ The AK07xxBS stainless steel duct cover is compatible specifically with AK78.
- ▶ AK07xxBS duct covers have a 12" height.
- ▶ The total assembled depth is 15".



1. Line up screw holes and attach the left and right side panels to the center with screws provided (FIG. A).

**FIG. A**

2. Place assembled duct cover on top of the hood. Make sure the screw holes of the center panel are facing down and line up with the holes on top of the hood.
3. Attach the duct cover to the top by securing the rest of the screws to it from within the inside of the hood (FIG. B).

**FIG. B**

Maintenance

- ▶ Cleaning the duct cover should be done frequently to preserve the life of the stainless steel. Cleaning should typically be done once or twice a month depending on your cooking habits.
- ▶ When cleaning, use a non-abrasive cleaner. Do not use “orange” cleaner. Abrasive cleaners may scratch the surface and discolor the stainless steel.
- ▶ You may also polish the stainless steel by using stainless steel polish. Make sure when polishing to go along with the grain of the duct cover.

Contact Us

To order parts, visit us online at <http://store.zephyronline.com> or call us at 1.888.880.8368.

Zephyr Ventilation
2277 Harbor Bay Parkway
Alameda, CA 94502