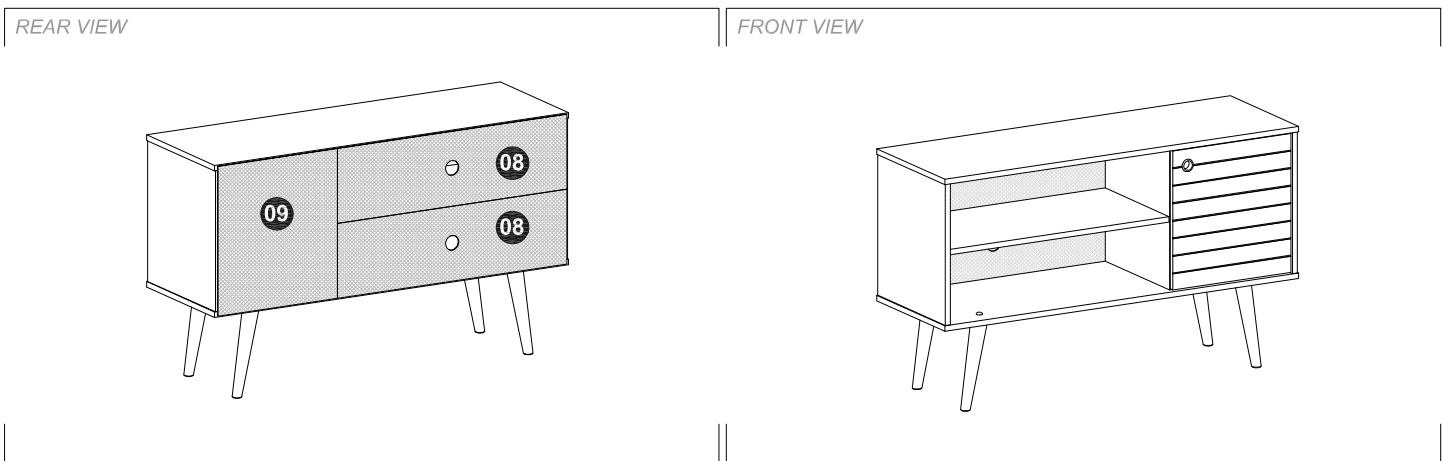
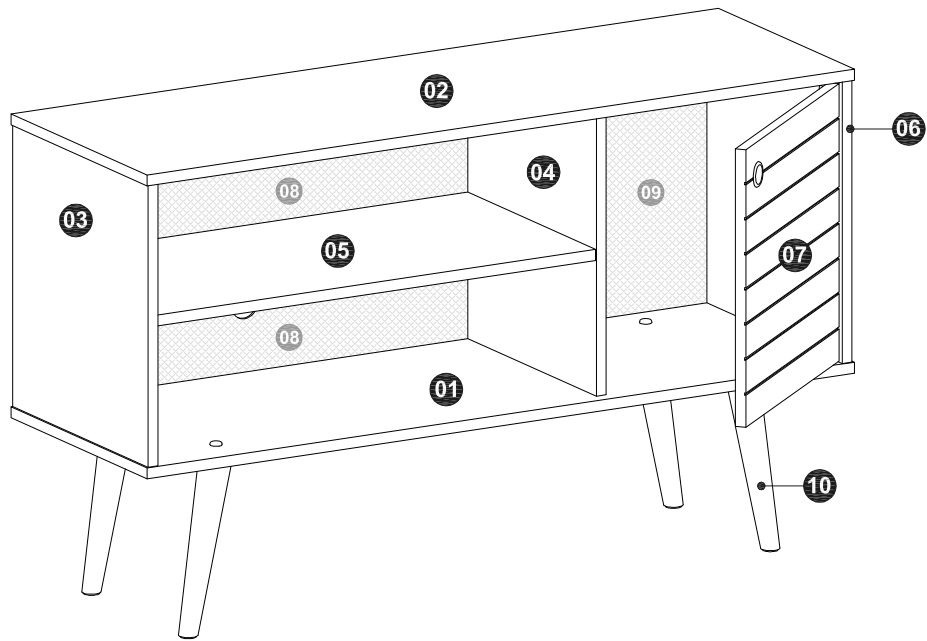


**TV Stand 42.52**

**INCLUDED IN THE PACKAGE**



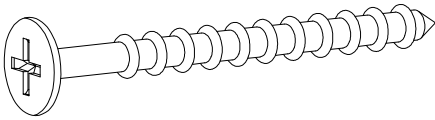
<b>n.° ID</b>	<b>Parts Identification (Description)</b>	<b>Quantity</b>
01	Base	1
02	Top Panel	1
03	Left Side Panel	1
04	Partition	1
05	Shelf	1
06	Right Side Panel	1
07	Door	1
08	Left Back Panel	2
09	Right Back Panel	1
10	Wood Feet	4

**TOOLS NEEDED**



**INCLUDED IN THE PACKAGE**

**A 4x**



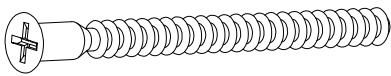
**B 4x**



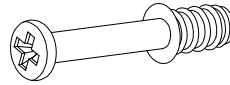
**C 16x**



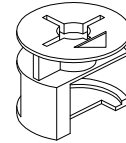
**D 6x**



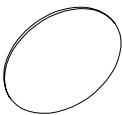
**E 8x**



**F 8x**



**G 6x**



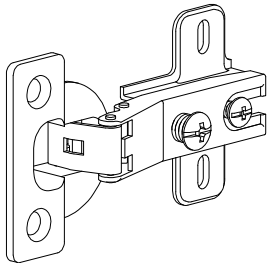
**H 11x**



**I 40x**



**J 2x**



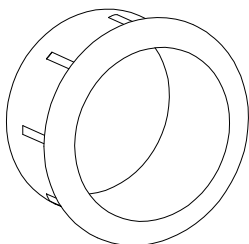
**K 8x**



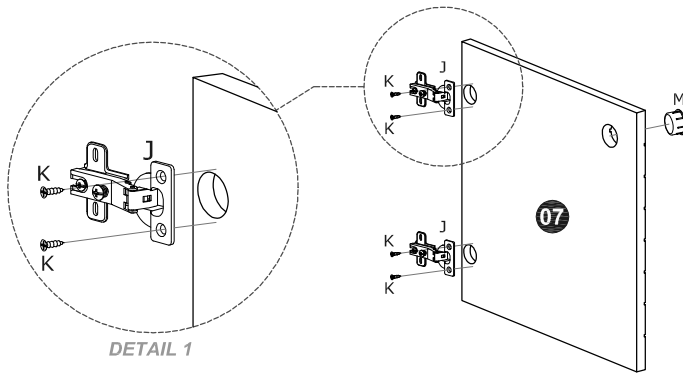
**L 4x**



**M 1x**



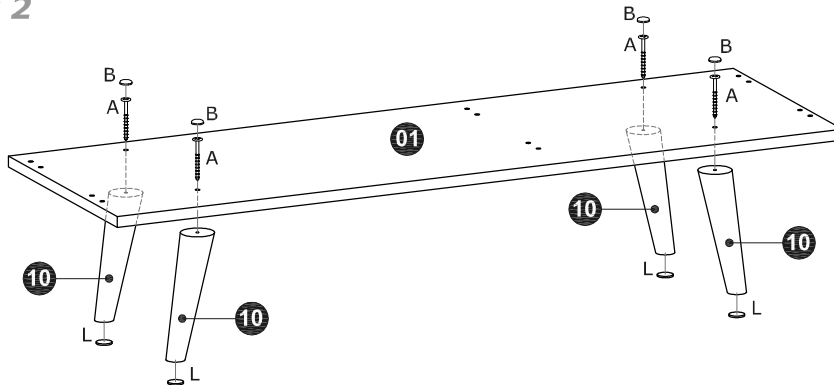
## STEP 1



### Preparing the door:

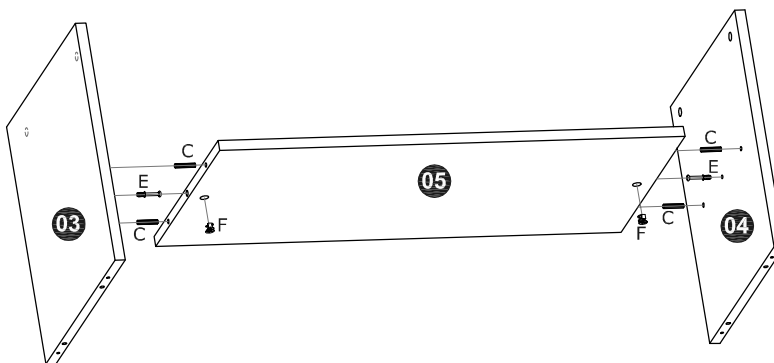
- Fix the hinges (J) in the Door (07) with bolts (K).
- Insert the plastic handle ring (M) in the Door (07).

## STEP 2



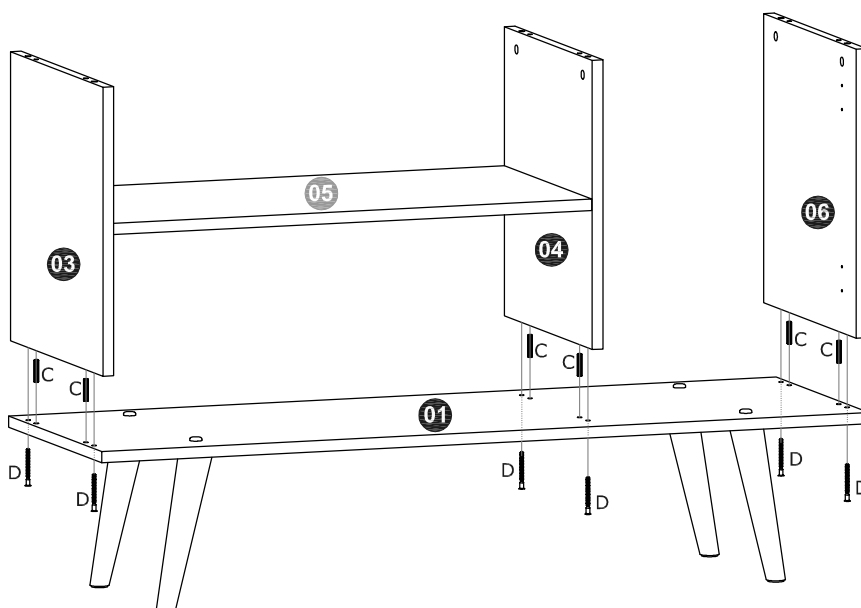
- Fix the feet (10) under the Base (01) with bolts (A).
- Apply the protective felt covers (L) on the bottom of the feet (10).
- Apply the plastic covers (B) on top of the bolts (A).

## STEP 3



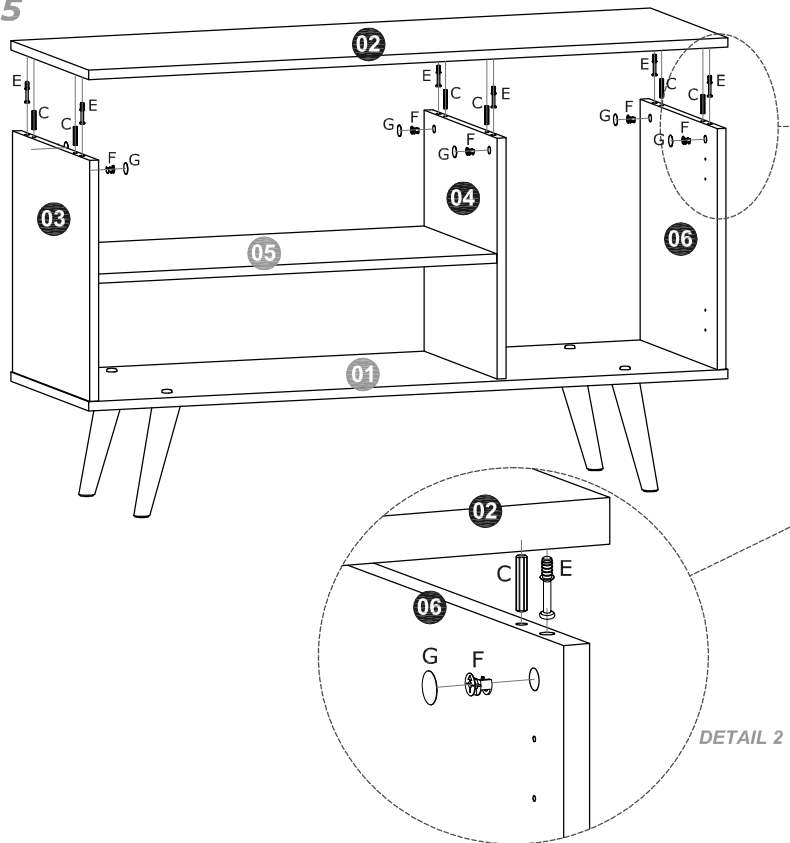
- Connect the Shelf (05) into the Left Side Panel (03) and Partition (04) using dowels (C) and the Minifix hardware (E + F).

## STEP 4



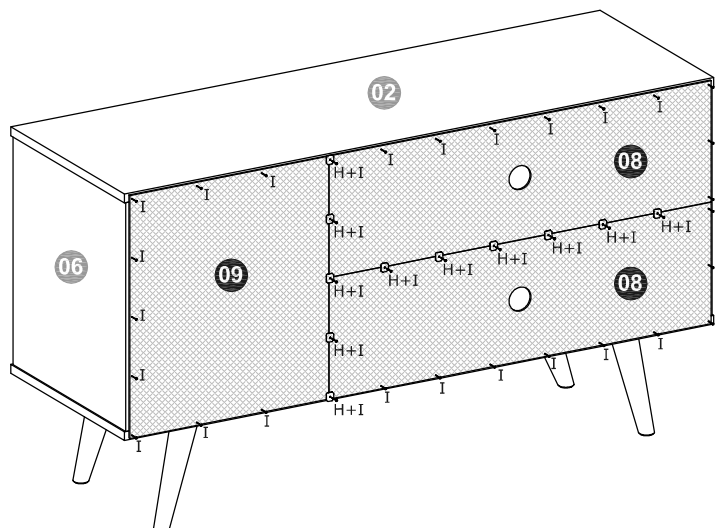
- Connect Side Panels (03) and (06) and Partition (04) into the Base (01) with dowels (C) and bolts (D).

## STEP 5



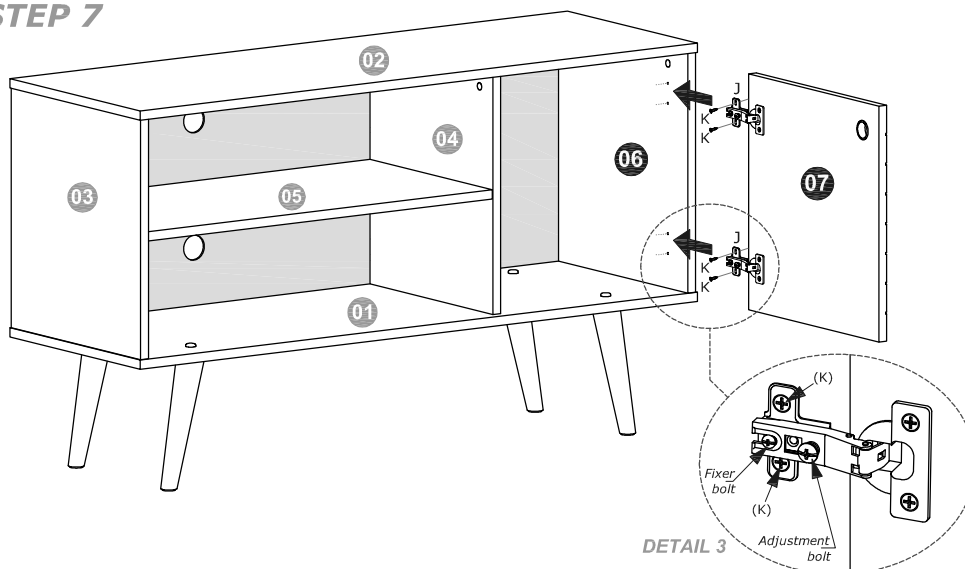
- Connect the Top Panel (02) onto Side Panels and Partitions (03), (04) and (06) using dowels (C) and the Minifix hardware (E + F).
- Apply adhesive covers (G) on the minifix hardware (F).

## STEP 6



- Connect Back Panels (08) and (09) with nails (I). At the joining surfaces, use metallic plates (H) and nails (I).

## STEP 7



### Installing the Door (07):

- Fix the hinge connectors (J) of the Door (07) on the Right Side Panel (06) with bolts 3.5 x 14mm (K), taking the markings on the panel (06) as a reference for correct positioning. The hinge connector includes two bolts, shown in DETAIL 3. Use the fixer bolt and the adjustment bolt to tighten, adjust and align the door.