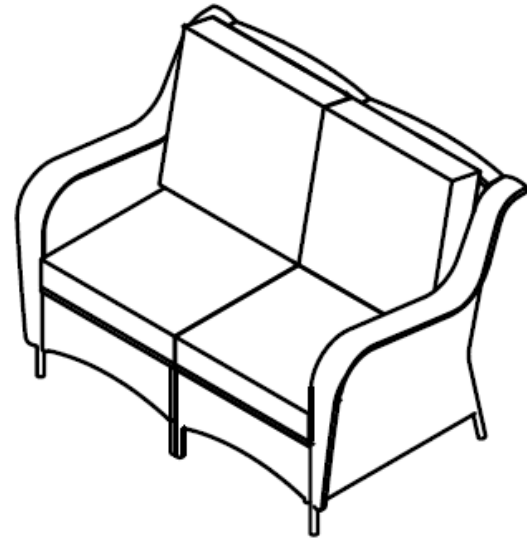


WARRANTY

We strive to offer high-quality product and we also try our best to satisfy each customer that orders from us with product or service as needed.

Each customer a record of their order such as the order number, or item receipt for any items that are out of the warranty period you may also still receive replacement parts by purchasing them with our company if they are available.



NOTE:

This brochure contains IMPORTANT safety info. Please read and keep for future reference.

MAINTAINANCE AND WARNING

- Keep furniture away from heat and fire.
- Keep furniture away from sharp objects.
- Do not clean furniture with harsh cleansers or polish. Do not use detergents, Solvents, abrasives, spray packs or leather cleaner. Use non-color mild soap with warm water clean spills(Mix 1:10 soap to water)
- Do not place furniture under direct sunlight, material will possibly fade over time.
- Do not jump or strike on the furniture.
- Do not write on furniture without a padded barrier to protect the surface.
- Not for commercial use, For residential use only.



Weight Limitation

400LBS

PARTS LIST

A*1



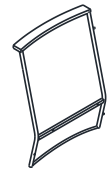
armrest_L

B*1



armrest_R

C*1



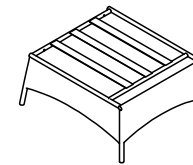
baskrest_L

C1*1



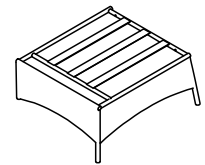
baskrest_R

D*1



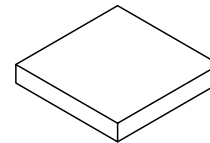
seatrest_L

E*1



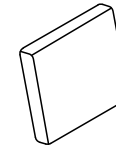
seatrest_R

F*2



seat cushion

G*2



back cushion

H*4



20mm screw

I*10



35mm screw

J*14



gasket

K*1



Allen Key

HARDWARE and TOOL LIST

H*4

M6*20mm



20mm screw

I*10

M6*35mm



35mm screw

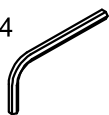
J*14



gasket

K*1

M4



Allen Key

SPARE

①*1

M6*20mm



20mm screw

②*1

M6*35mm



35mm screw

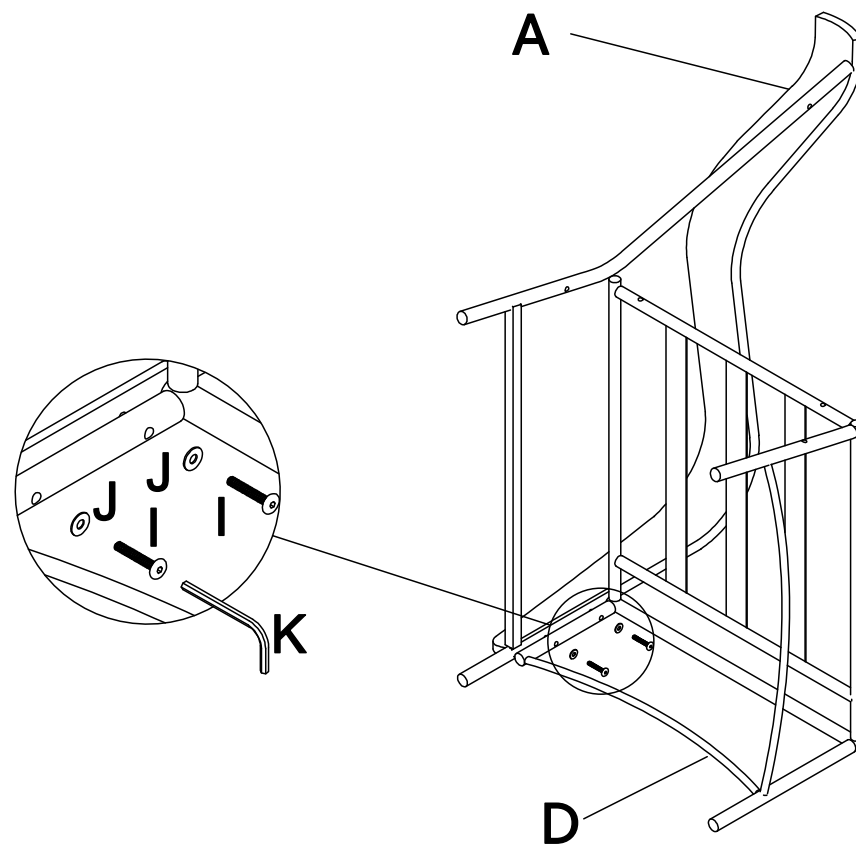
③*1



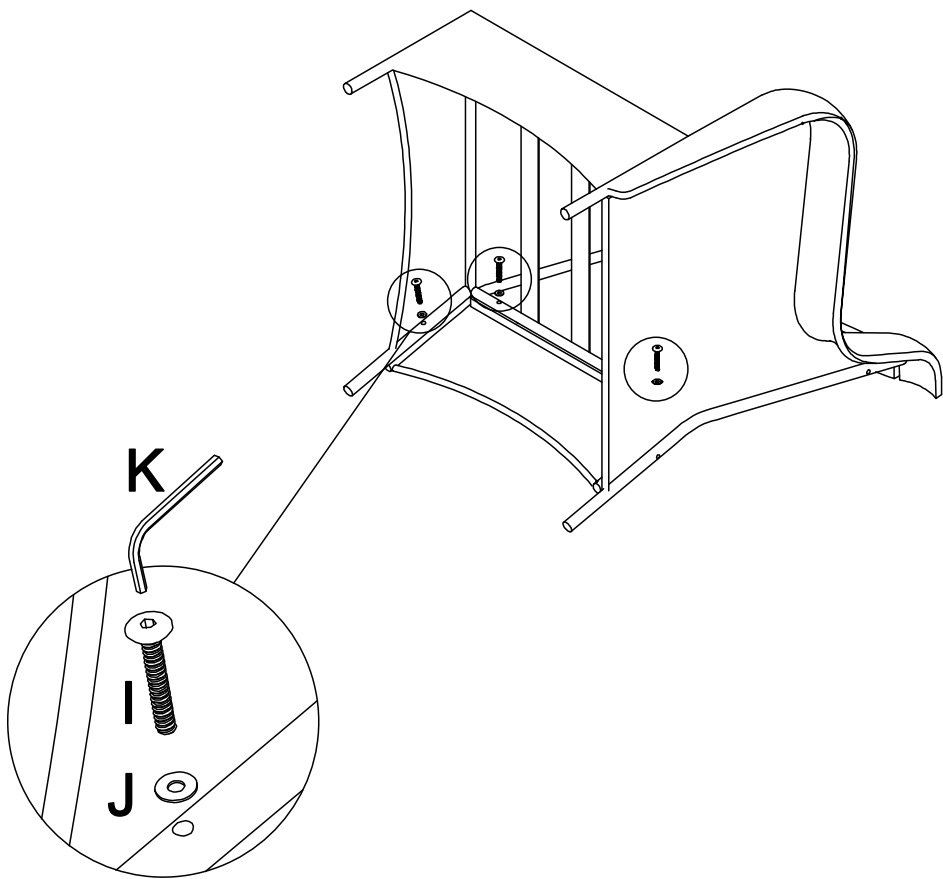
gasket

Be sure to check all packing material fitting the packing list. Be careful for small parts, which may have come loose inside the carton during shipment.

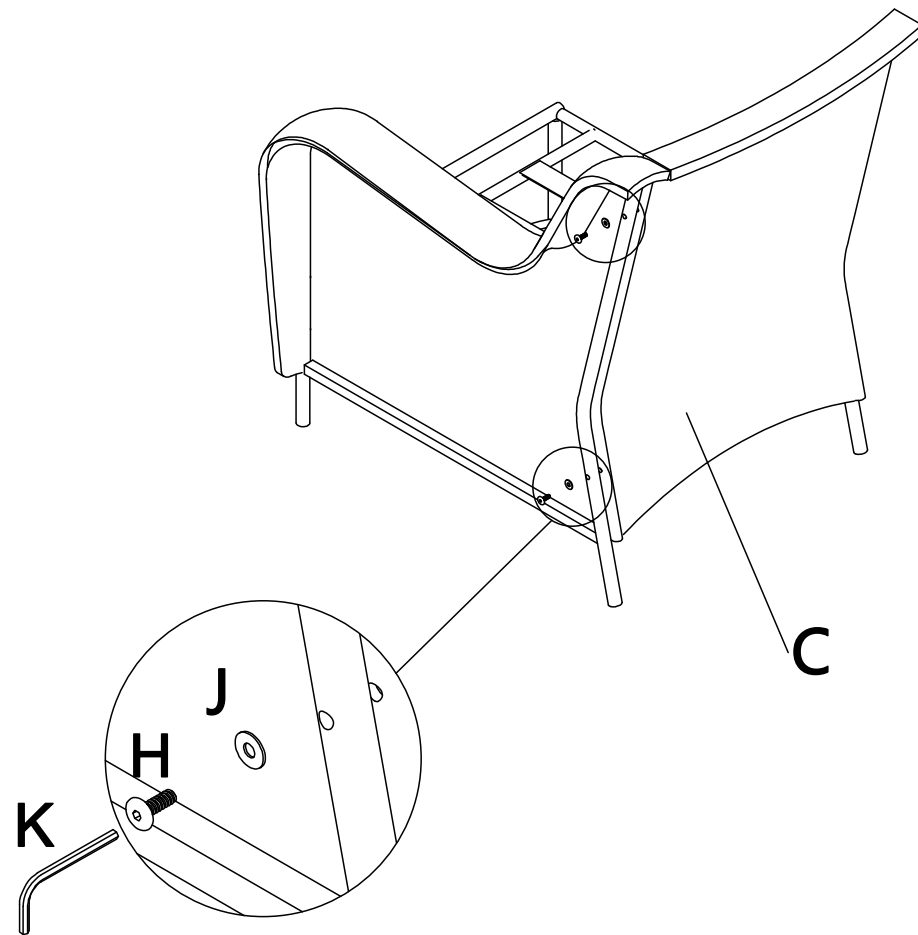
ASSEMBLY INSTRUCTIONS



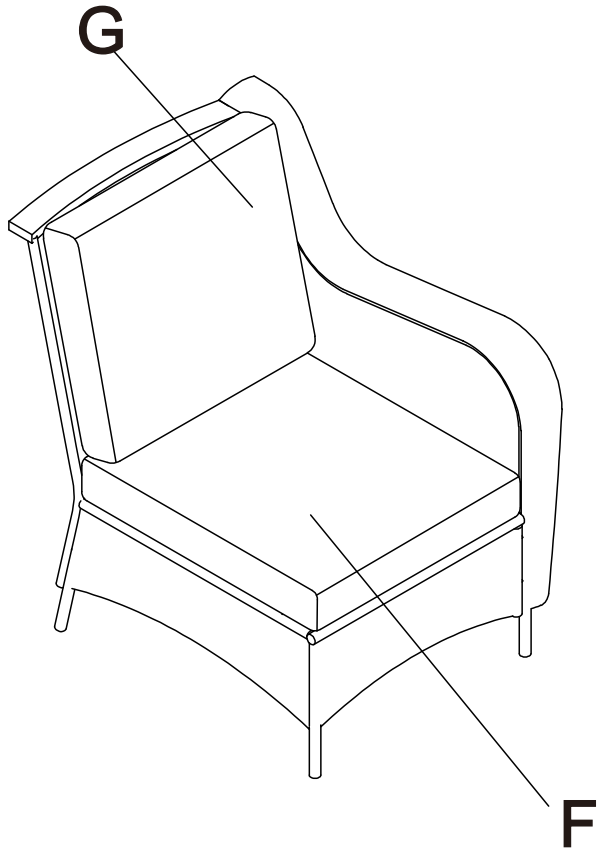
STEP 1 Place the right armrest (B) on a clean plane, as shown in the picture, and assemble the seat frame (E) with the right armrest (B) using the screw (1) (screw each screw into 50% first, and after the two screws are screwed on, use the Allen key to screw each screw to the tightest).



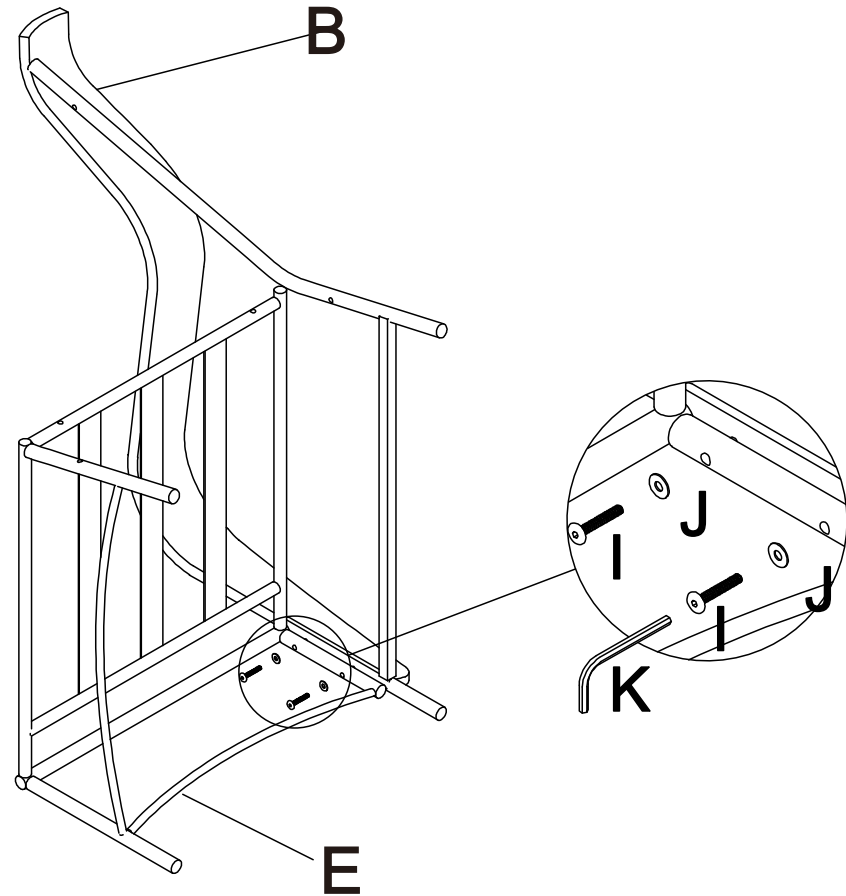
STEP 2: Place the backrest connected in the previous step flat on a clean plane. From below the seat surface, use screw to connect the seat frame with the backrest (each screw is screwed into 50% first, and after the two screws are screwed on, use the allen key to completely tighten the two screws).



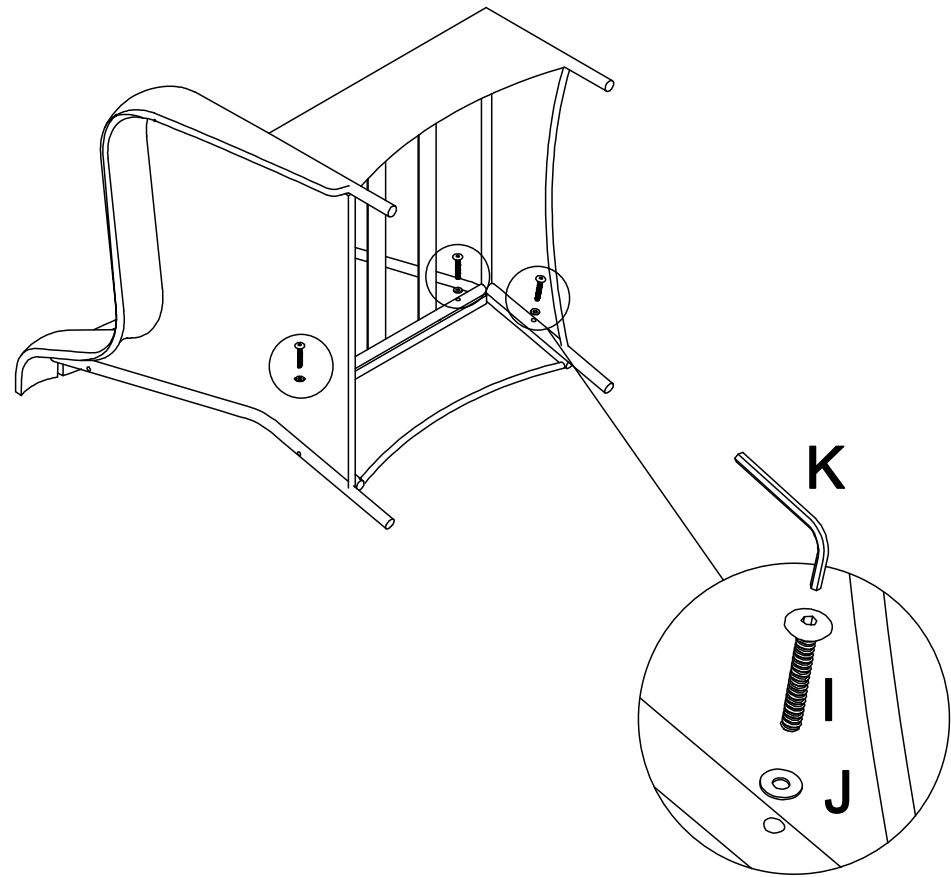
STEP 3: Stand up the seat with the armrests(B) and use screws to connect the backrest from the outside of the armrests (B)(screw in 50% of each screw)



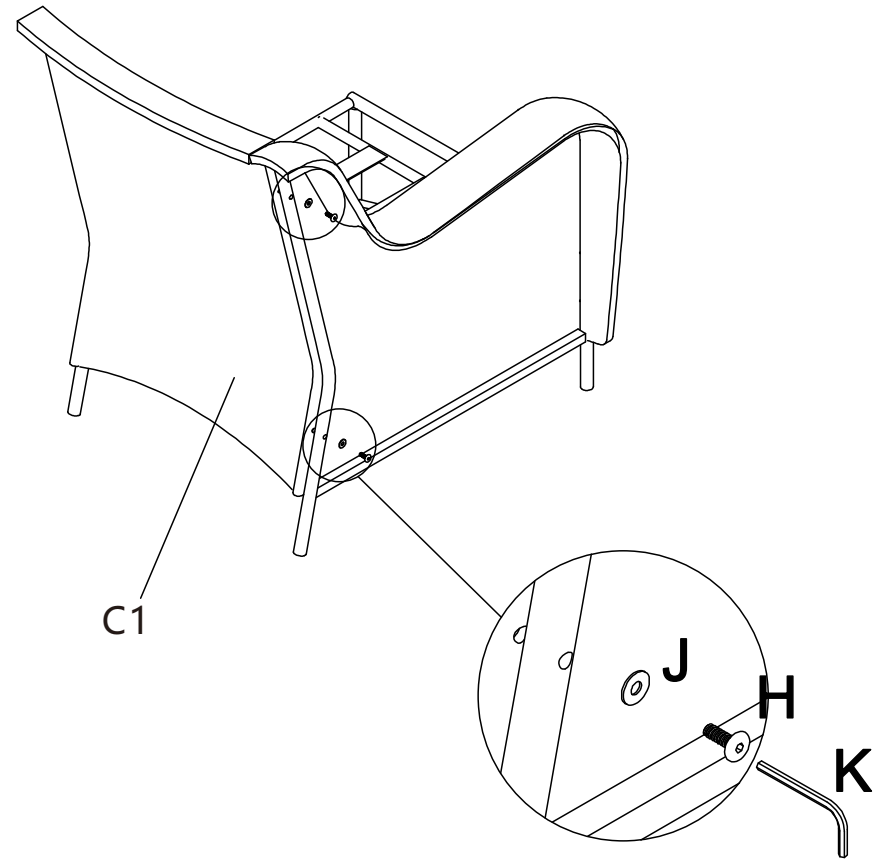
STEP 4: Using an Allen wrench, completely tighten the screw connected to the backrest from the outside of the handrail. Put the seat cushion(F) with the backrest pillow(G), and arrange the beautiful, right corner chair assembly end.



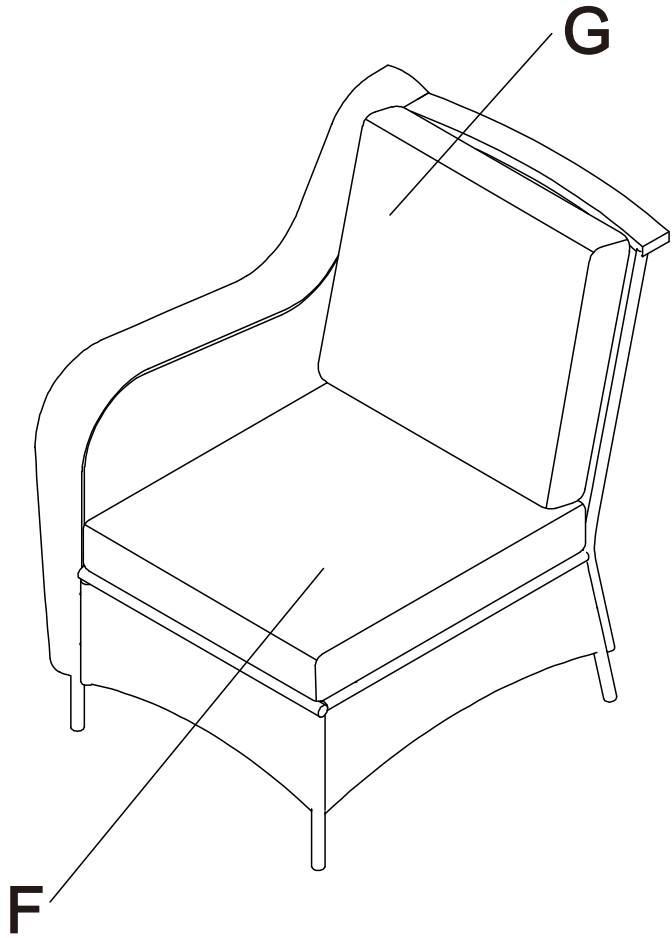
STEP 5: Place the left armrest(A) on a clean plane, as shown in the picture, and assemble the seat frame(D) with the left handrail(A) using the screw (I)(screw each screw into 50% first, and after the two screws are screwed on, use the Allen key to screw each screw to the tightest)



STEP 6: Place the backrest connected in the previous step flat on a clean plane. From below the seat surface, use screw to connect the seat frame with the backrest (each screw is screwed into 50% first, and after the two screws are screwed on, use the allen key to completely tighten the two screws).



STEP 7: Stand up the seat with the armrests (A) and use screws to connect the backrest from the outside of the armrests (A) (screw in 50% of each screw).



STEP 8: Using an Allen key, completely tighten the screw connected to the backrest from the outside of the handrail. Put the seat cushion(F) with the backrest pillow(G), and arrange the beautiful, right corner chair assembly end.