

Assembly Instructions

Please take a moment to read through the entire instruction booklet before assembly to familiarize yourself with this product. Once you feel ready to start, follow the instructions step by step and this should make this process as easy as we could make it for you.

WARNING CAUTION

ADULT ASSEMBLY REQUIRED CHOKING HAZARD

- This product includes small parts, sharp points and sharp edges in its unassembled state. Keep unassembled parts away from children under 3 years of age, and animals.

SAFETY WARNINGS

- Follow the information on the warnings appearing on table and on the carton. Do not remove warning label from cabinet.
- Do not allow children under 3 years of age to use the cabinet.
- Do not use substitute parts. Contact the manufacturer or dealer for replacement parts.

FURNITURE TIP-OVER HAZARD

Children have died from furniture tip-over

To reduce the risk of furniture tip-over:

- ALWAYS install tip-over restraint especially if used by a wall or in the open.
- NEVER put a TV on this product
- NEVER allow children to stand, climb or hang on drawers, doors, or shelves.
- NEVER open more than one drawer at a time.
- ALWAYS place heaviest items in lowest drawers.



PARENTAL SUPERVISION IS REQUIRED

- Parents or Guardians should supervise use under the intended age specifically regarding children that may have access to it and climb on the unit.
- Do not allow horseplay on, under, or behind the unit and prohibit jumping on the cabinet.
- If used improperly, your table may be pulled over or fall, creating risk of injury or damage. Children should not be permitted to climb or pull on the cabinet.

USE, MAINTENANCE & ASSEMBLY

- Periodically check and ensure that the components are in their proper position, free from damage, and that all connectors are tight.
- Use on level surfaces only. Assemble on a soft level surface to avoid damage to unit or floor.
- Do not use this item if any components are missing or damaged.
- Do not use substitute parts. Contact the manufacturer or dealer for replacement parts.
- Only clean using damp cloth and mild detergent, do not use bleach or abrasive cleaners.
- Check you have all components and tools listed on page 4
- Do not stand or put weight on this product during assembly, this could cause damage.
- Remove all hardware from the plastic bags and separate them into groups.
- Assemble the item as close to its final position (in the same room) as possible.
- Certain assembly steps may be easier with 2 people.
- Dispose of all packaging carefully and responsibly.
- We do not recommend power screwdrivers. Only use hand screwdrivers to prevent damage to unit.
- Keep these instructions for future reference.

Enfants morts suite au basculement d'un meuble.

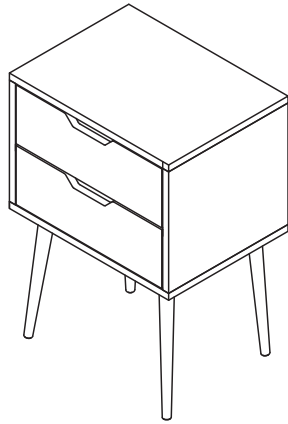
Afin de limiter le risque de basculement de meuble:

- TOUJOURS utiliser les fixations anti-basculement.
- NE JAMAIS installer de TV sur ce produit.
- NE JAMAIS laisser d'enfants se tenir debout sur les tiroirs, portes ou étagères, y grimper ou s'y suspendre.
- NE JAMAIS ouvrir plus d'un tiroir à la fois.
- TOUJOURS placer les choses les plus lourdes dans les tiroirs du bas.

Han muerto niños por el vuelco de muebles.

Para limitar el riesgo de vuelco de los muebles:

- Utilizar SIEMPRE las fijaciones antivuelco que suministran.
- NUNCA instalar un TV sobre este producto.
- NUNCA permitir que los niños se pongan de pie, trepen o se cuelguen de los cajones, puertas o baldas.
- NUNCA abrir más de un cajón a la vez.
- Colocar los objetos más pesados en los cajones inferiores.

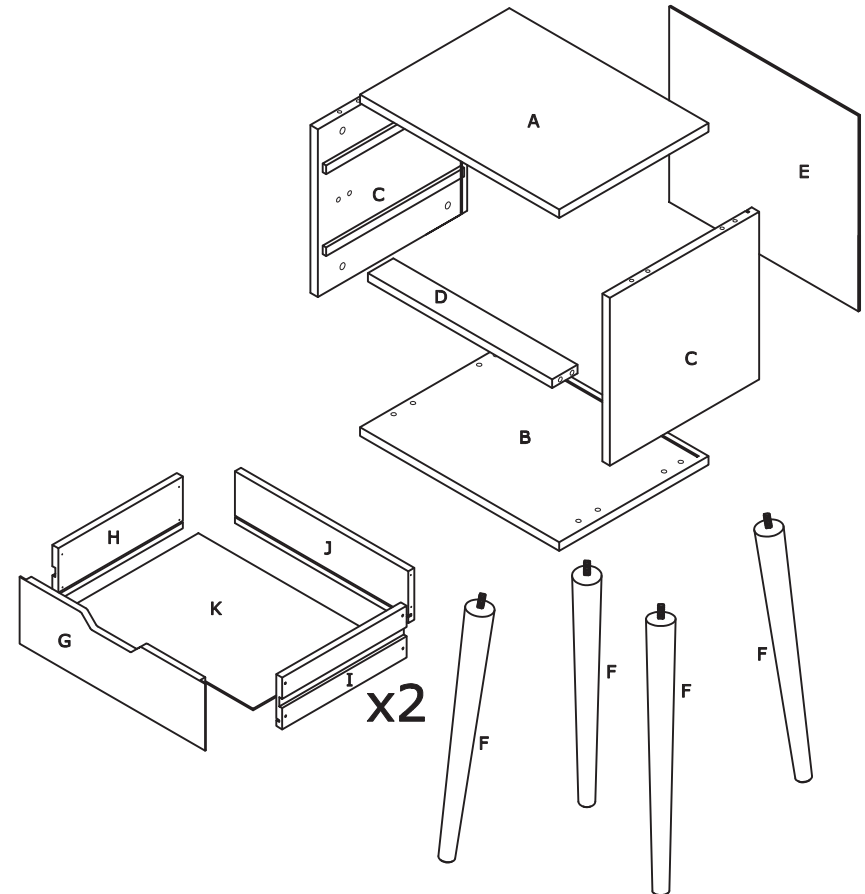


PLEASE READ this sheet prior to assembly to familiarise yourself with the various stages of construction.

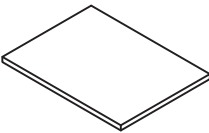
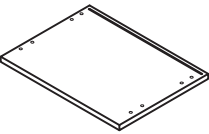
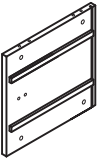

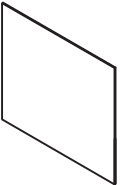

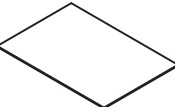
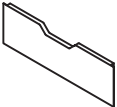
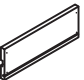
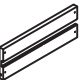
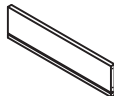
Carefully open the pack supplied and check the contents against the parts and fittings check list. Do not destroy any of the packaging until you are certain that you have all the necessary parts for the assembly.

CAUTION: There are small components used in the construction of this unit. These loose items should be kept away from young children whilst assembling your unit to avoid the danger of choking hazards.

Tools Required

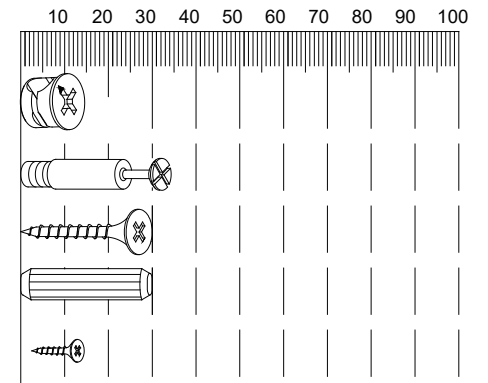


Parts

<p>A</p> 	<p>B</p> 	<p>C</p> 	
<p>Description: Table top panel Qty: 1 PC Size: 40x30x1.5cm</p>	<p>Description: Table bottom panel Qty: 1 PC Size: 40x30x1.5cm</p>	<p>Description: Table side panel Qty: 2 PCS Size: 30x28x1.5cm</p>	
<p>D</p> 	<p>E</p> 	<p>F</p> 	<p>K</p> 
<p>Description: Support bar Qty: 1 PC Size: 36.5x5x1.5cm</p>	<p>Description: Table back panel Qty: 1 PC Size: 38x29.4x0.3cm</p>	<p>Description: Table leg Qty: 4 PCS Size: 24x3.5x3.5cm</p>	<p>Description: Drawer bottom Qty: 2 PCS Size: 35.2x26x.3cm</p>
<p>G</p> 	<p>H</p> 	<p>I</p> 	<p>J</p> 
<p>Description: Drawer front Qty: 2 PCS Size: 36.5x13.5x1.5cm</p>	<p>Description: Drawer left panel Qty: 2 PCS Size: 27x11.5x0.9cm</p>	<p>Description: Drawer right panel Qty: 2 PCS Size: 27x11.5x0.9cm</p>	<p>Description: Drawer back Qty: 2 PCS Size: 34.5x11.5x0.9cm</p>

Fittings(to scale)

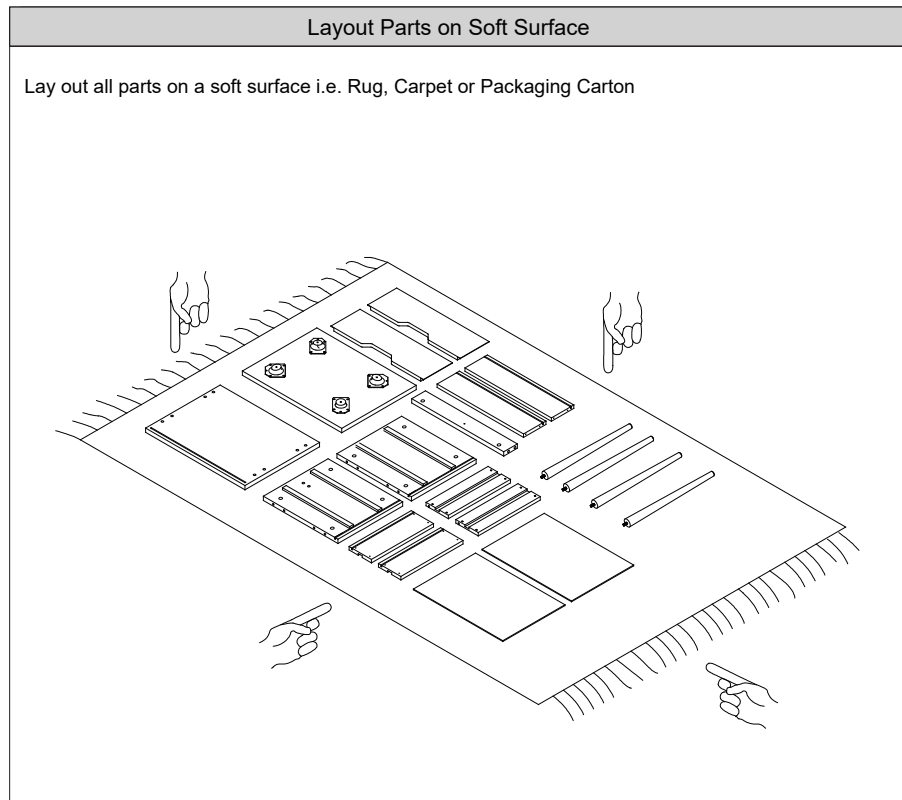
Ref	Dimenslons	Qty
a	Cam (15x9mm)	10
b	Cam bolt (6x35mm)	10
c	Screw (3x30mm)	16
d	wood dowel (8x30mm)	10
f	Screw (3x12mm)	2



(Not to scale)

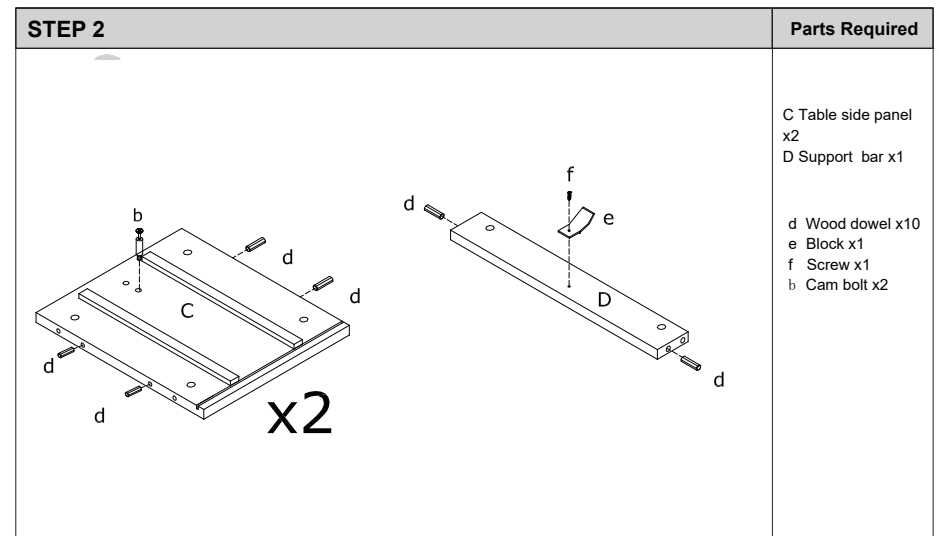
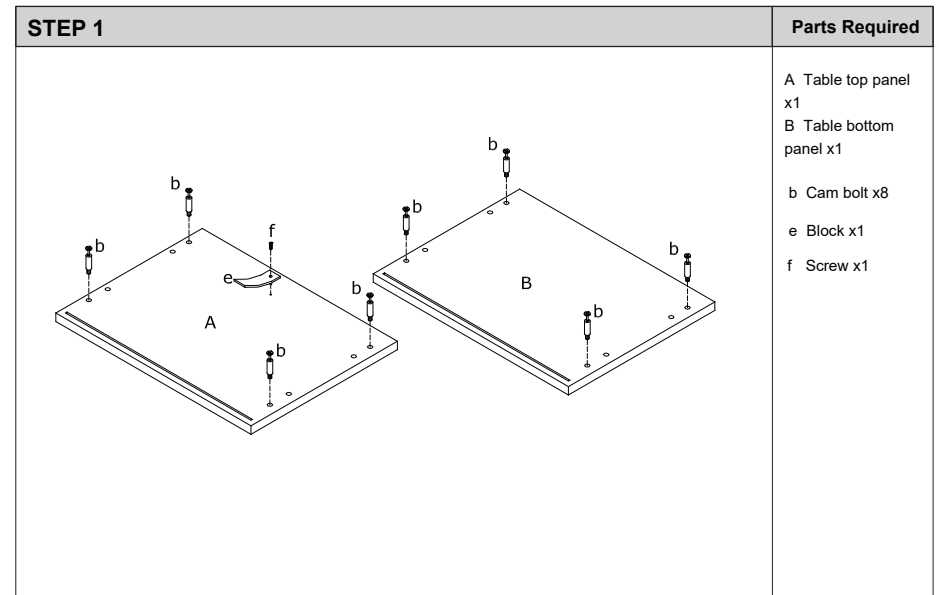
e	Block	2
----------	-------	----------

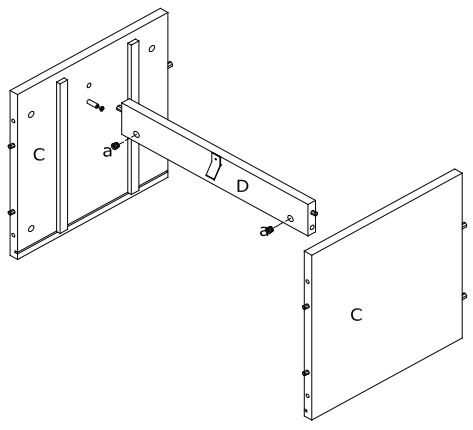


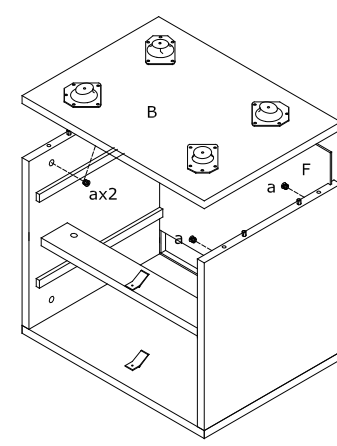


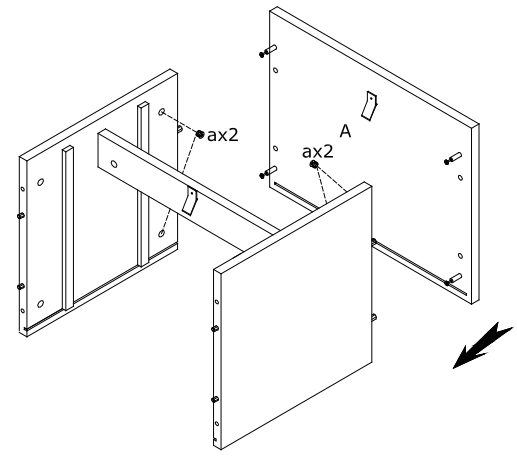
CAUTION: There are many small components used in the construction of this product. Please keep these components away from young children whilst assembling this product.

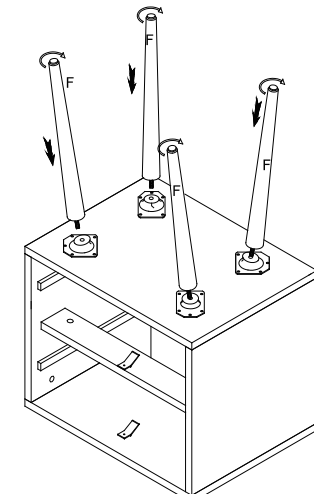
If you keep the fittings in a bowl during assembly you will be less likely to lose them!

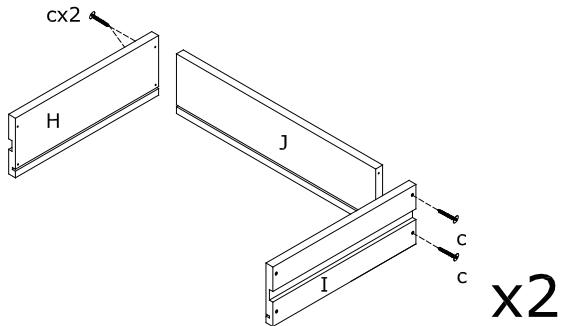


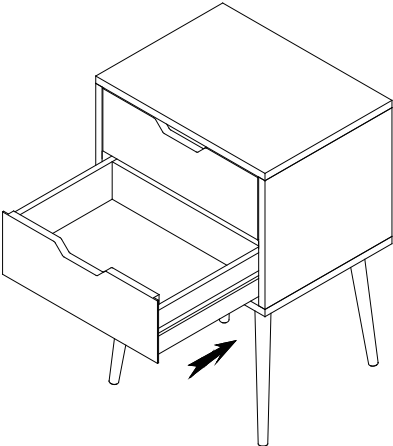
STEP 3	Parts Required
	<p>C Table side panel x2 D Support bar x1 a Cam x2</p>

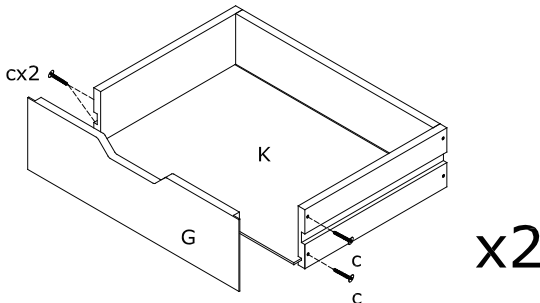
STEP 5	Parts Required
	<p>B Table bottom panel x1 F Table back panel x1 a Cam x4</p>

STEP 4	Parts Required
	<p>A Table top panel x1 a Cam x4</p>

STEP 6	Parts Required
	

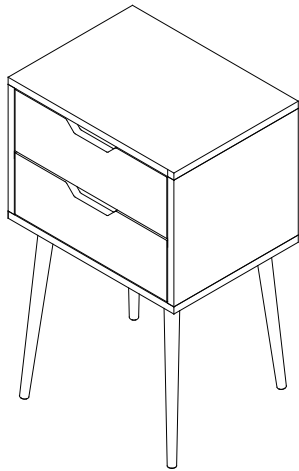
STEP 7	Parts Required
	<p>H Drawer left panel x2 I Drawer right panel x2 J Drawer back x2 c Screws x8</p>

STEP 9	Parts Required
	

STEP 8	Parts Required
	<p>G Drawer front x2 K Drawer bottom x2 C Screws x8</p>

Complete Assembly

Your BEDSIDE TABLE is now completely assembled.
Periodically check to ensure that the components are in their proper position, free from damage.
Also, make sure the connectors are tight and secure.



Keep instructions for future reference.

