

Features

- Two handles offer separate control of hot and cold water.
- 1.2 gpm (gallons per minute) maximum flow rate at 60 psi.
- KOHLER® ceramic disc valves exceed industry longevity standards for a lifetime of durable performance.
- Coordinates with Pitch™ bath and shower trim.

Material

- Premium metal construction.
- KOHLER finishes resist corrosion and tarnishing.

Installation

- Centerset.



ADA

CSA B651

OBC

Codes/Standards

ASME A112.18.1/CSA B125.1

NSF/ANSI 61

NSF/ANSI 372

All applicable US Federal and State material regulations

DOE - Energy Policy Act 1992

EPA WaterSense®

California Energy Commission (CEC)

ADA

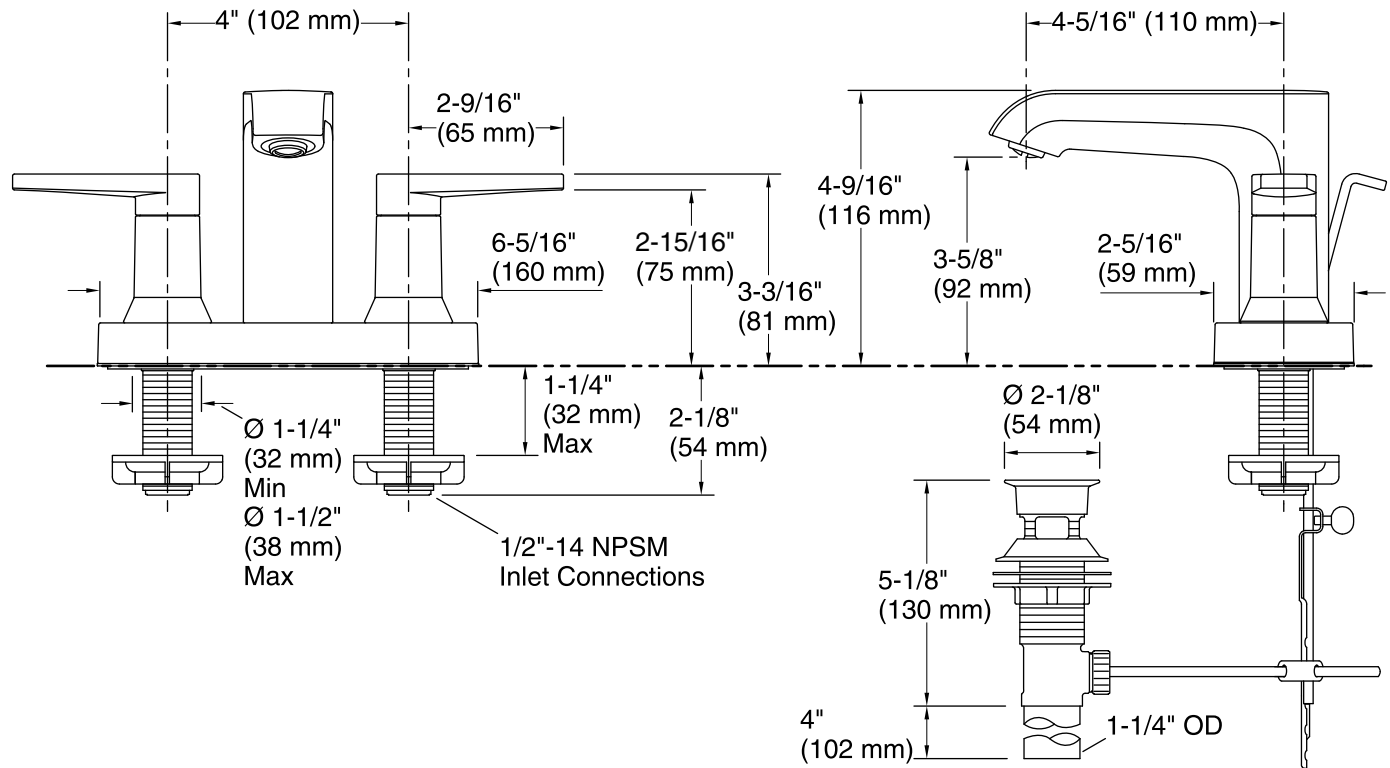
ICC/ANSI A117.1

CSA B651

OBC

KOHLER® Faucet Lifetime Limited Warranty

See website for detailed warranty information.



Technical Information

All product dimensions are nominal.

Faucet:

Flow rate: 1.2 gal/min (4.5 l/min)

Pressure: 60 psi (4.1 bar)

Spout:

Spout reach: 4-5/16" (109 mm)

Notes

Install this product according to the installation instructions.

ADA, OBC, CSA B651 compliant when installed to the specific requirements of these regulations.