

# CRUX

**Triple Brew Coffee Maker  
Instruction Manual**

Styled for Life  
Designed & Engineered in New York City

**Thank You for choosing**  
**CRUX**

We hope your new CRUX  
small kitchen appliance will add  
sleek elegance to your kitchen

## Table of Contents

Important Safeguards.....	3-5
Additional Important Safeguards .....	6-7
Notes on the Plug .....	8
Notes on the Cord .....	8
Plasticizer Warning.....	9
Electric Power.....	9
Carafe Safety Precautions .....	9-10
Coffee Carafe Yield.....	10
Gold Tone Coffee Filter Basket.....	10
Getting to Know Your 12 cup CRUX Triple Brew Coffee Maker .....	11-13
Before Using for the First Time .....	14
Programming the CRUX Triple Brew Coffee Maker .....	15
24 Hour Clock.....	15
Programming Future Brew .....	16
Brew Strength Selection (Regular / Gourmet / Bold) .....	16-17
1- 4 Cup Mode.....	17
Keep Warm Cycle .....	17
Auto Shut Off.....	18
Carafe Brew Cycle.....	18-19
Pause & Serve.....	19
Carafe Temperature.....	20
Brewing a Second Carafe of Coffee .....	20

## Table of Contents

Hints for Great Tasting Coffee .....	20
Single Serve Brew Cycle.....	21
Adjusting the Drip Tray .....	21
Using the K-Cup® Capsule Adaptor .....	22-23
Using the Ground Coffee Adaptor .....	24
Single Serve Hot Beverages.....	25
Single Serve Iced Coffee .....	26
User Maintenance Instructions.....	26
Care & Cleaning Instructions .....	27
Clean Cycle: Carafe .....	28
Descaling: Single Serve .....	29
Storing Instructions.....	29
Warranty .....	30-31

# IMPORTANT SAFEGUARDS

When using electrical appliances, basic safety precautions should always be followed, including the following:

**1. READ ALL INSTRUCTIONS.**

2. Do not touch hot surfaces. Use handles or knobs only.
3. This appliance is not intended for use by persons (including children) with reduced physical, sensory or mental capabilities, or lack of experience and knowledge, unless they have been given supervision or instruction concerning use of the appliance by a person responsible for their safety.
4. Children should be supervised to ensure that they do not play with the appliance.
5. Close supervision is necessary when any appliance is used by or near children.
6. In order to minimize the risk of property damage, never place the Coffee Maker under cabinets. Make sure the area several feet above the Coffee Maker is clear from all furniture or cabinetry.
7. Do not open Coffee Maker lid while coffee is brewing. Scalding may occur if the lid is lifted during the brewing cycle.
8. Do not open single serve compartment lid or single serve water tank lid while coffee is brewing. Scalding may occur if any lid is lifted during the brewing cycle.
9. Do not use outdoors.

10. To protect against fire or electrical shock and injury to persons, do not immerse cord, plugs, or appliance in water or other liquids.
11. Do not operate any appliance with a damaged cord or plug, or after the appliance malfunctions, or has been damaged in any manner. Return appliance to the nearest authorized service facility for examination, repair or adjustment.

**NOTE: DO NOT ATTEMPT TO REPAIR THE UNIT YOURSELF.  
THIS WILL VOID THE WARRANTY.**

12. The use of accessory attachments is not recommended by the appliance manufacturer and may result in fire, electric shock or injury to persons.
13. Never move the appliance by pulling the cord. Do not let the cord hang over the edge of a table or counter or touch hot surfaces.
14. Stand the appliance on a table or flat surface.
15. Do not use a cracked glass carafe or a carafe that has a loose or weakened handle.
16. Only use the glass carafe included with this appliance. Handle with care as the glass is very fragile.
17. Make sure the flavor infusion tube is in good condition before brewing coffee.
18. Never use your Coffee Maker without water in either water tank.
19. Do not place appliance on or near a hot gas or electric burner or in a heated oven.
20. The carafe is designed for use with this appliance. It must never be used on a range top.

21. Do not set hot glass carafe on a wet or cold surface.
22. Do not clean glass carafe or flavor infusion tube with cleaners, steel wool pads, or other abrasive material.
23. Before unplugging, make sure that the Coffee Maker is not in brewing mode, and turn any control to “off”.
24. Unplug from outlet when either the appliance or display clock is not in use, and before cleaning. Allow to cool before putting on or taking off parts, and before cleaning the appliance.
25. Unplug from the electrical outlet when the Coffee Maker is not in use, left unattended, or when the carafe is empty.
26. Do not use this appliance for other than its intended use.
27. To reduce the risk of electric shock, do not mount Coffee Maker over a sink.
28. To reduce the risk of fire, do not store anything directly on top of the Coffee Maker when the appliance is in operation.

**CAUTION:** There is a sharp punch that punctures the K-Cup®. To avoid risk of injury, do not put your fingers on the top underside of the single serve compartment lid.

**WARNING:** To avoid the risk of fire or electric shock, do not unscrew the underside cover. There are no user-serviceable parts inside. Repair should be done by authorized service personnel only.

# FOR HOUSEHOLD USE ONLY

# SAVE THESE INSTRUCTIONS

## ADDITIONAL IMPORTANT SAFEGUARDS

**WARNING: This appliance generates heat and escaping steam during use. Proper precautions must be taken to prevent the risk of burns, fires, or other injury to persons or damage to property.**

1. All users of this Coffee Maker must read and understand this instruction manual before operating or cleaning this appliance.
2. The cord to this appliance should be plugged into a 120V AC electrical outlet only.
3. Use water only in this appliance! Do not put any other liquids or food products in this appliance. Do not mix or add anything to the water placed in this appliance, except as instructed in the User Maintenance Instructions to clean the appliance.
4. DO NOT attempt to move any appliance containing hot liquids. Allow appliance to cool completely before moving.
5. Keep appliance at least 4 inches away from walls or other objects during operation. Do not place any objects on top of appliance while it is operating. Place the appliance on a surface that is resistant to heat.



6. If this appliance begins to malfunction during use, immediately unplug the cord. Do not use or attempt to repair the malfunctioning appliance.
7. If this appliance falls or accidentally becomes immersed in water or any other liquid, unplug it immediately. Do not reach into the water! Do not use this appliance after it has fallen into or has become immersed in water.
8. The appliance must be left to cool down sufficiently before adding more water to avoid exposure to steam.
9. Always use fresh, cool water in your appliance. Warm water or other liquids, except as listed in cleaning section, may cause damage to the appliance.
10. DO NOT put carafe into a microwave oven.
11. DO NOT leave empty carafe on the warming plate when appliance is ON, as the carafe may crack or become otherwise damaged.
12. The Pause & Serve flow valve is located on the bottom of the removable filter holder and is activated when the carafe is removed. This design makes it possible for you to remove the carafe and pour a cup of coffee before the entire carafe is brewed.

**CAUTION: To prevent injury when utilizing the auto Pause & Serve feature, replace carafe within 30 seconds of removing during brewing process.**

## **Notes on the Plug**

This appliance has a polarized plug (one blade is wider than the other). To reduce the risk of electric shock, this plug will fit in a polarized outlet only one way. If the plug does not fit fully into the outlet, reverse the plug. If it still does not fit, contact a qualified electrician. Do not modify the plug in any way.

## **Notes on the Cord**

- a) A short power-supply cord (or detachable power-supply cord) is to be provided to reduce risks resulting from becoming entangled in or tripping over a longer cord.
- b) Longer detachable power-supply cords or extension cords are available and may be used if care is exercised in their use.
- c) If a long detachable power-supply cord or extension cord is used:
  - 1) The marked electrical rating of the detachable power-supply cord or extension cord should be at least as great as the electrical rating of the appliance;
  - 2) If the appliance is of the grounded type, the extension cord should be a grounding- type 3-wire cord; and
  - 3) The longer cord should be arranged so that it will not drape over the counter top or table top where it can be pulled on by children or tripped over.

## **Plasticizer Warning**

**CAUTION:** To prevent Plasticizers from migrating to the finish of the counter top or table top or other furniture, place NON-PLASTIC coasters or place mats between the appliance and the finish of the counter top or table top. Failure to do so may cause the finish to darken; permanent blemishes may occur, or stains can appear.

## **Electric Power**

If the electrical circuit is overloaded with other appliances, your appliance may not operate properly. It should be operated on a separate electrical circuit from other appliances.

# **CARAFE SAFETY PRECAUTIONS**

1. Open the carafe lid to make sure the flavor infusion tube is in good condition before brewing coffee.
2. Do not use a cracked carafe or any carafe with a loose or weakened handle.
3. This carafe is designed to be used only on the warming plate of your Coffee Maker. Do not use in a conventional oven or on any stove top.
4. To avoid breakage, handle carafe with care. Avoid impact. Glass will break as a result of impact. Use care when filling with water to avoid hitting faucet.

5. Do not place hot carafe on cool or wet surface. Allow carafe to cool before washing or adding liquids.
6. Do not set empty carafe on a hot heating surface. Do not clean with steel wool pads, abrasive cleanser, or any other materials that may scratch.
7. Do not bump or scratch the carafe. Remove carafe from the warming plate to avoid burning or scorching. Never operate the Coffee Maker with a carafe that has boiled dry.
8. Discard carafe if it is cracked, scratched, or heated while empty for an extended period of time.

### **Coffee Carafe Yield**

12 Cup Coffee Maker: 12 (5 oz.) cups

**NOTE:** A 5 oz. cup is the American industry standard and is used by most Coffee Maker manufacturers. To fill your favorite over-sized mug(s), fill Coffee Maker tank with enough water for 3 to 4 cups (15 to 20 ounces) per mug.

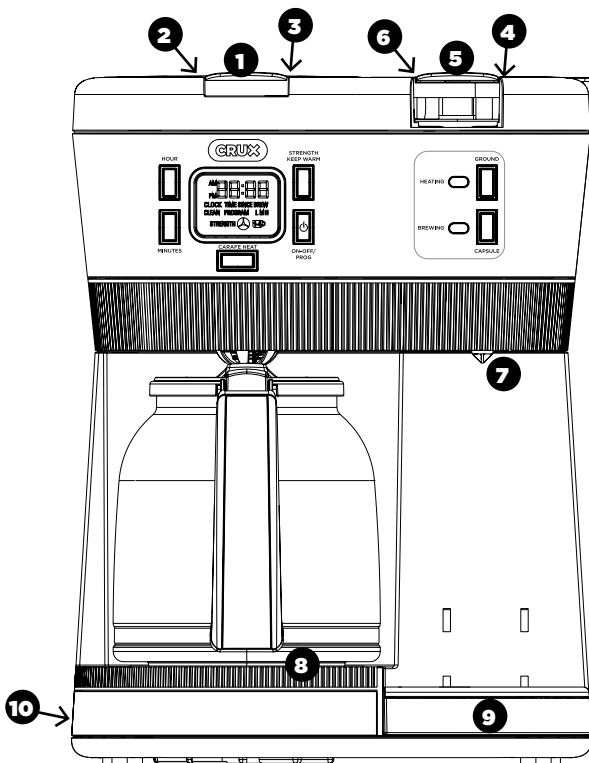
### **Gold Tone Coffee Filter Basket**

1. Your reusable gold tone coffee filter basket not only optimizes brewing infusion time, it eliminates the use of disposable paper filters altogether.
2. Simply place the gold tone coffee filter basket into the removable filter basket holder.
3. Unfold and use handle to lift basket of used coffee grounds up and out of the removable coffee filter; fold handle down to close the Coffee Maker lid.

## Getting to Know Your 12 Cup Triple Brew Coffee Maker

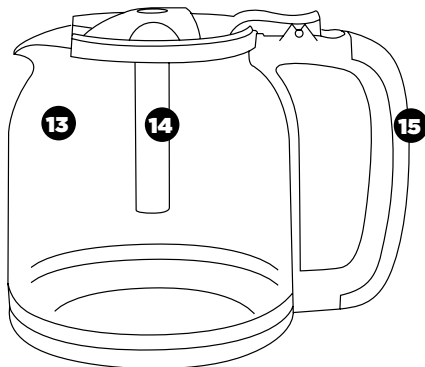
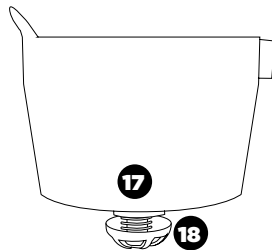
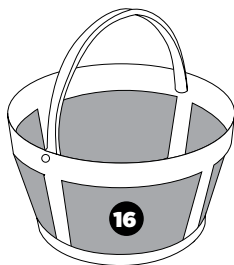
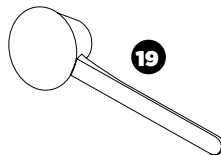
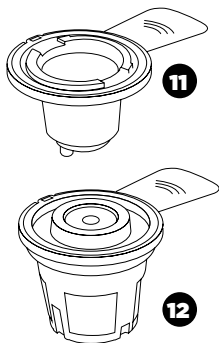
Product may vary slightly from illustration

1. Coffee Maker Lid with Front Tab
2. Shower Head (not Shown)
3. 12 Cup Stepped Water Tank
4. Single Serve Stepped Water Tank
5. Single Serve Water Tank Lid with Side Tab
6. Single Serve K-Cup®/ Capsule Adaptor Compartment Lid with Front Tab
7. Single Serve Nozzle
8. Carafe Warming Plate
9. Single Serve Adjustable Drip Tray
10. Polarized Plug (not shown)



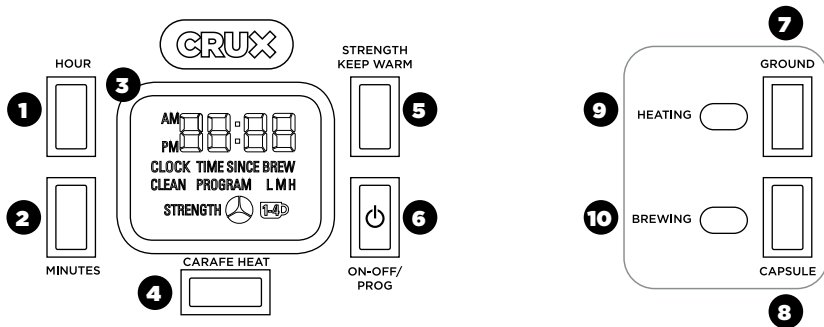
## Accessories

11. K Cup®/Capsule Adaptor
12. Ground Coffee Adaptor
13. 12 Cup Carafe
14. Flavor Infusion Carafe Lid
15. Carafe Handle
16. Gold Tone Coffee Filter with Folding Handle
17. Removable Filter Holder with Handle
18. Pause & Serve Flow Valve
19. Coffee Scoop



## Control Panel

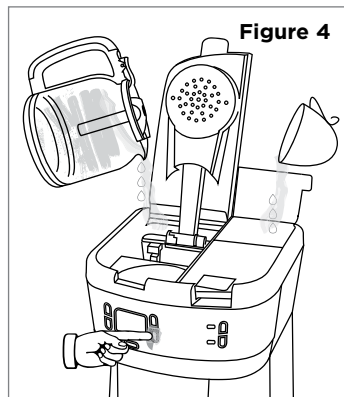
1. HOUR Button
2. MINUTE Button
3. Backlighted Screen
4. CARAFE TEMP Button
5. STRENGTH/KEEP WARM Button
6. White Illuminated ON/OFF BREW PROGRAM Button
7. White Illuminated GROUND COFFEE Button
8. White Illuminated CAPSULE Button
9. HEATING Indicator Light
10. BREWING Indicator Light



## Before Using for the First Time

**CAUTION:** To protect against electrical shock, do not immerse the CRUX Triple Brew Coffee Maker or allow power cord to come into contact with water or other liquids.

1. Remove all packing material and labels from the inside and outside of the Coffee Maker. Place the unit on a flat, clean surface.
2. Before preparing coffee, thoroughly clean the glass carafe, coffee scoop, removable filter holder, gold tone coffee filter, and both adaptors in hot, sudsy water. Rinse and dry.
3. Clean the inside of the Coffee Maker. Fill carafe with cold tap water and pour into the 12 cup water tank. (See Figure 4.) Center the empty carafe on the warming plate. Do not add the gold tone coffee filter or ground coffee for this initial cleaning.
4. Using any cup as a measure, add a cup of water to the single serve water tank. (See Figure 4.)
5. Adjust the drip tray following the detailed instructions outlined in the Single Serve section of this instruction manual.
6. Center the empty cup on the single serve drip tray. Do not add any adaptor for this initial cleaning.
7. Following the detailed instructions outlined in the Carafe Brew Cycle section of this instruction manual, brew a carafe of clean water.
8. At the end of the first clean water cycle, allow 15 minutes for the unit to cool.
9. Brew a second carafe of fresh water.
10. Following the detailed instructions outlined in the Single Serve Brewing section of this instruction manual, brew a cup of clean water.





## Programming the CRUX Triple Brew Coffee Maker

1. CRUX Triple Brew Coffee Maker delivers a 3 bar pump specifically designed for K-Cup® use. Dual water tanks allow you to brew both a 12 cup carafe, or a single serving: 15 oz. travel mug, or 6 to 10 oz. cup of coffee using K-Cups, generic capsules, or your own special coffee blend.
2. Your CRUX Triple Brew Coffee Maker is fully programmable.
  - 24 hr. CLOCK enables you to program the 12 cup Coffee Maker to a future TIME to brew.
  - PROGRAM automatically starts your Coffee Maker brewing at a future pre-programmed TIME.
  - REG / GOURMET / BOLD adjusts brew strength.
  - 1 - 4 CUPS mode assures perfect brewed results for smaller quantities.
  - KEEP WARM cycle is adjustable from 0 minutes to 4 hours, in 15 minute increments.
  - Carafe TEMPERATURE can be programmed L (LOW), M (MEDIUM) or H (HIGH) at any time during or after brewing at the press of a button.
  - CLEAN cycle delivers highest temperatures and longer cleaning times.

### 24 Hour Clock

**NOTE:** It is not necessary to set the CLOCK to brew coffee.

1. Press and hold the HOUR or the MIN button for 3 seconds to initiate the CLOCK setting mode. The LCD will illuminate and CLOCK will appear on the screen. The default TIME "12:00 PM" or the current set TIME will flash.
2. Press the HOUR button until the current HOUR flashes. Hold the HOUR button to fast advance.

**NOTE:** Pay attention to AM and PM.
3. Press the MINUTES button until the current MINUTES are flashing. Hold the MINUTES button to fast advance.
4. Press the BREW PROGRAM/OFF button to confirm. The current TIME will be displayed.

**NOTE:** The screen will darken and revert back to the last CLOCK setting in 20 seconds if no further buttons are selected.

## Programming Future Brew

1. Press and hold the BREW PROGRAM/OFF button for 3 seconds to initiate future brew PROGRAM setting mode. The LCD will illuminate and PROGRAM will appear on the screen. The default future brew TIME "12:00 PM" will flash.
2. Press the HOUR button until the desired future brew HOUR flashes. Hold the HOUR button to fast advance.

**NOTE:** Pay attention to AM and PM.

3. Press the MINUTES button until the desired future brew MINUTES are flashing. Hold the MINUTES button to fast advance.
4. Press the BREW PROGRAM/OFF button to confirm. The newly programmed future brew TIME will be displayed and PROGRAM will appear on the screen and the BREW PROGRAM/OFF button will flash.

**NOTE:** The screen will darken and revert back to the last future brew TIME in 20 seconds if no further buttons are selected.

5. Once the current TIME reaches the pre-programmed future brew TIME, the BREW PROGRAM/OFF button will illuminate solid white. as coffee begins to brew into the carafe.
6. To cancel future brew, press the white illuminated BREW PROGRAM/OFF button to begin brewing immediately or press the BREW PROGRAM/OFF button 2 times to turn the Coffee Maker OFF.

## Brew Strength Selection (Regular / Gourmet / Bold)

**NOTE:** Brew Strength will automatically default to REGULAR (☐). The GOURMET (☐) setting adjusts the brewing cycle for a full pot of coffee to extract a higher percent of solubles.

This results in a more flavorful pot of coffee. BOLD (☐) brew strength adjusts the brewing cycle of a full carafe of coffee, with additional time for to extract further oils and flavor from the ground coffee beans, resulting in a bolder tasting pot of coffee.

1. To change the strength of brewed coffee, press the STRENGTH/KEEP WARM button. REGULAR (☐) will flash on the screen. Each time the button is pressed, the brew strength advances to the next selection.

2. Press the STRENGTH/KEEP WARM button a second time. GOURMET (☺) will flash on the screen. Press the BREW PROGRAM/OFF button to confirm.
3. To change, press the STRENGTH/KEEP WARM button a third time. BOLD (☹) will flash on the screen. Press the BREW PROGRAM/OFF button to confirm.

## 1-4 Cup Mode

1. When brewing 1 to 4 (5 oz.) cups of coffee, the 1 - 4 CUP mode automatically adjusts the smaller quantity brewing process for maximum flavor.
2. Press the STRENGTH/KEEP WARM button a fourth time. The 1 - 4 CUP icon (1-4) will flash on the screen. Press the BREW PROGRAM/OFF button to confirm.

**NOTE:** The Coffee Maker will not measure water quantity. When using the 1 - 4 CUP mode, the entire water tank will brew.

## Keep Warm Cycle

1. After brewing, the Coffee Maker will advance to a 2:00 hour KEEP WARM cycle. KEEP WARM may be pre-programmed from 0:00 to 4:00 hours in 15 minute increments at any time either before or during brewing.
2. To change, press and hold the STRENGTH/KEEP WARM button for 3 seconds. The screen will illuminate. Last programmed KEEP WARM time will begin to flash.
3. Press the HOUR button until the desired HOUR (0:00 to 4:00) flashes.
4. Press the MINUTES button to increase or decrease KEEP WARM TIME in 15 minute increments.
5. Press the BREW PROGRAM/OFF button to confirm.

**NOTE:** The screen will darken and revert back to the last KEEP WARM TIME in 20 seconds if no further buttons are selected.

## Auto Shut Off

The Coffee Maker will automatically shut OFF once the KEEP WARM TIME has elapsed after brewing.

## Carafe Brew Cycle

**IMPORTANT:** For optimal brewed flavor, filtered water is preferred.

**IMPORTANT:** Before brewing, always check to make sure water level is past the MIN 2 cup step and add water if needed. Never exceed the MAX 12 cup step.

**NOTE:** The amount of brewed coffee will always be less than the amount of water placed into the water tank; as much as 10% is absorbed by coffee grounds and filter. The glass carafe markings indicate the amount of water needed in the water tank to produce the corresponding cups of brewed coffee.

1. Use the front tab to open the 12 cup water tank lid.
2. Press the carafe lid handle to open. Make sure the flavor infusion tube is in good condition before brewing coffee. Fill carafe with the desired amount of cold filtered water and pour into the 12 cup water tank at the back of the unit. The stepped water level indicator can be easily viewed inside the unit. Make sure the water level exceeds the MIN 2 cup step and is not filled past the MAX 12 cup step.
3. Center the empty carafe on the warming plate.
4. Lower and rotate the filter holder until the filter holder's round tab drops down into the housing.
5. Place the gold tone coffee filter into the removable filter holder. Measure 2 level tablespoons or 1 scoop of drip or regular ground coffee for each cup of coffee desired. For stronger or milder coffee, adjust amount of coffee or type of roast to suit your taste.
6. Close the Coffee Maker lid.
7. Plug the power cord into a 120V AC electrical outlet; the backlighted screen will illuminate, the default REGULAR (☉) brew strength and LOW ( L ) carafe temperature will appear on the display. CLOCK and "12:00 PM" will flash as the Coffee Maker advances to CLOCK setting mode.

**NOTE:** It is not necessary to set the CLOCK to brew coffee.

8. To begin brewing coffee immediately, press the BREW PROGRAM/OFF button. The button will illuminate solid white, the backlighted screen will illuminate.

9. Perfectly tempered water will shower over the coffee bed. The flavor infusion carafe lid evenly distributes coffee throughout the brewing process to maximize the flavors and aromas of the grounds and ensure hotter, better-tasting brews.

**NOTE:** To interrupt the brew process at any time, press the white BREW PROGRAM/OFF button. The illuminated button, backlighted screen and Coffee Maker will turn OFF. (The GROUND COFFEE and CAPSULE buttons illuminate solid white.)

10. Upon completion of the brew cycle, 3 tones will sound. The screen will darken. The BREW PROGRAM/OFF button will illuminate solid white as the Coffee Maker advances to KEEP WARM.

**NOTE:** To check the freshness of the brewed coffee while in the KEEP WARM cycle, press HOUR or MINUTE button to illuminate the backlighted screen and confirm how much TIME SINCE BREW.

11. The carafe lid should be closed facilitate safe serving and help keep coffee at a proper serving temperature.
12. At the end of the default 2:00 hour or pre-programmed KEEP WARM cycle, 2 tones will sound, and the Coffee Maker will turn OFF.

**NOTE:** Brew function of carafe side and single serve side cannot be performed simultaneously. However, the brew function of the single serve side can be performed during the keep warm period of the carafe side.

## Pause & Serve

1. To serve a cup of coffee before the brew cycle is complete, slowly remove carafe from the warming plate. Dripping will automatically cease. Return the carafe onto the warming plate; dripping will resume.

**CAUTION:** To prevent injury when utilizing the Pause & Serve feature, replace carafe within 30 seconds after removing during the brewing process.

2. The flow valve is located on the bottom of the filter holder and is activated when the carafe is removed. (See Figure 1.)

**IMPORTANT:** When replacing the filter holder, the flow valve must be properly inserted into the front cavity of the machine, so that it can be seen as it sits on the top of the carafe lid. (See Figure 1.)

## Carafe Temperature

Press the CARAFE TEMP button at any time before or during brewing to change the temperature from L (LOW) to M (MEDIUM) to H (HIGH).

## Brewing a Second Carafe of Coffee

1. To brew another carafe of coffee, press the BREW PROGRAM/OFF button to turn the Coffee Maker OFF. The BREW PROGRAM/OFF button will turn OFF. Allow 15 minutes for cool down.

**CAUTION:** Failure to allow Coffee Maker to cool sufficiently could cause hot steam and spray when the water is added to the water tank. The hot steam can cause severe burns.

2. Use the front tab to lift the Coffee Maker lid.
3. Unfold the gold tone coffee filter handle to lift and remove. Discard used coffee grounds, rinse well.
4. Use the handle to lift the removable filter holder up and out of the Coffee Maker.
5. Rinse the glass carafe and removable filter holder in cool, clean water.

**IMPORTANT:** Before brewing a second carafe, always check to make sure water level is past the MIN line; add the desired amount of cold water into the water tank.

6. Following the detailed instructions previously described, press the BREW PROGRAM/OFF button to begin brewing.

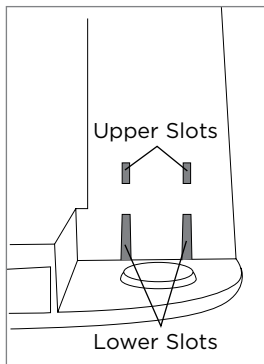
## Hints for Great Tasting Coffee

- A clean Coffee Maker is essential for making great tasting coffee. Regular cleaning, as described in the Care & Cleaning Instructions and Descaling sections of this instruction manual is highly recommended.
- Always use fresh, cold water in your Coffee Maker.
- Finer grinds, such as drip coffee, promote fuller extraction and provide rich, full-bodied coffee. Regular grind will require slightly more coffee per cup to provide the strength of a finer grind.
- Store coffee in a cool, dry place. Once coffee has been opened, keep it tightly sealed in the refrigerator to maintain freshness.

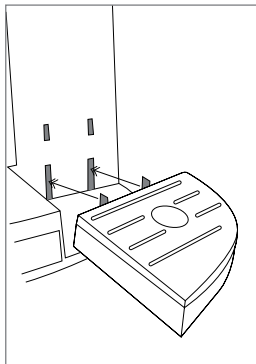
## Single Serve Brew Cycle

### Adjusting the Drip Tray

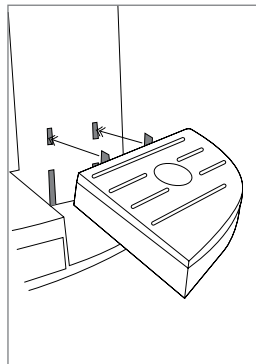
1. The drip tray adjusts to 3 heights to accommodate tall 15 oz. travel mugs/tumblers, 10 oz. mugs/cups, or short 6 oz. cups.
2. For tall mugs/tumblers, remove the drip tray. Slide the corner drip tray out of the unit. (See Figure 5.)
3. For 10 oz. cups or mugs, slide the corner drip tray back onto the floor of the base. (See Figure 6.)
4. When brewing a smaller cup, raise the drip tray to the upper level to avoid splatter. (See Figure 7.) Simply insert the drip tray's tabs into the back of the unit, then lower the tray so that it is perfectly secure and level.



**Figure 5**



**Figure 6**



**Figure 7**

## Using the K-Cup® Capsule Adaptor

- Each K-Cup® is loaded with the perfect measure of coffee, tea or even hot chocolate.
- Capsules are an effortless and fool-proof way to brew a single hot cup, mug, or commuter travel mug serving.
- There are now over 400 K-Cup® varieties to choose from!
- Many generic coffee capsules (pods) can be used in the CRUX Triple Brew Coffee Maker.

**IMPORTANT:** For optimal flavor, filtered water is preferred.

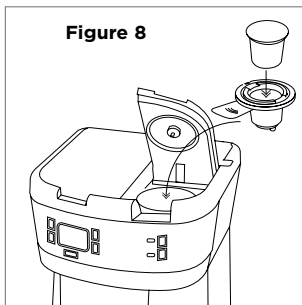
**WARNING:** Before brewing, it is recommended the water tank be filled at least to the lowest “6 oz. step. To avoid damage, never operate your Coffee Maker when the single serve water tank is empty.

1. Use the side tab to lift the single serve water tank lid. (See Figure 8.)
2. Using the desired cup, mug, or tumbler as your measure, add water to the water tank. The water tank has an easily visible, 3-stepped water level indicator: 6 oz., 10 oz., and 15 oz.

**WARNING:** NEVER exceed the 15 oz. MAX fill step.

**NOTE:** The Coffee Maker will not measure water quantity. Any amount of water in the single serve water tank will brew. ALWAYS check to make sure the proper capacity cup or mug is properly centered on the assembled drip tray.

3. Lower the lid.
4. Center the cup on the drip tray, under the single serve nozzle.
5. Pull the adaptor compartment’s front tab up to unlock and lift the lid.
6. Add the capsule of your choice to the adaptor. Press down on the capsule to pierce the bottom. Make sure the capsule is flush with the adaptor.





7. With the handle facing front, place the capsule adaptor into the adaptor compartment. Slide the adaptor handle in to the grooves at the front of the Coffee Maker. (See Figure 8.)
8. Press the adaptor compartment's lid down firmly. An audible click can be heard as the lid is locked firmly into position, and the top of the capsule is punctured.
9. Plug the Coffee Maker into a 120V AC electrical wall outlet.
10. Press the CAPSULE button to begin the brew cycle.
11. The white HEATING indicator light will begin to flash as the Coffee Maker begins heating the water.
12. When the water has reached the optimal temperature, the heating light will darken and the white BREWING light will illuminate. Brewed coffee will begin to stream through the nozzle.
13. To interrupt the brewing cycle at any time, press the CAPSULE button.
14. At the end of the cycle, the Coffee Maker and all indicator lights will automatically turn OFF.
15. Allow unit to cool before removing the used capsule to discard.
16. Unplug the CRUX Triple Brew Coffee Maker when not in use.

**NOTE:** Brew function of carafe side and single serve side cannot be performed simultaneously. However, the brew function of the single serve side can be performed during the keep warm period of the carafe side.

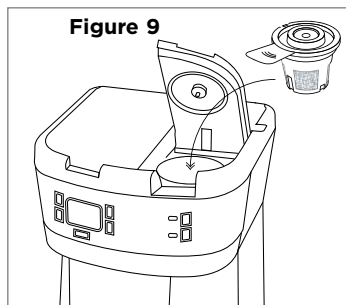
## Using the Ground Coffee Adaptor

With the ground coffee adaptor, you have the ability to personalize your blends by adding a dash of cinnamon, orange peel, cardamom or vanilla bean for flavoring.

- The ground coffee adaptor is ideal for those who prefer to grind and blend their own coffee.
- The ground coffee adaptor can save money by buying and grinding your own.
- The ground coffee adaptor is environmentally friendly as there is no disposable waste; only organic.

**NOTE:** For best results, use medium ground coffee.

1. Pull the adaptor compartment's front tab up to unlock and lift the lid.
2. Fill the reusable ground coffee adaptor. It is recommended to use 1 tablespoon of ground coffee for every 6 oz. cup of water. DO NOT EXCEED the 15 oz. MAX fill step.
3. With the handle facing front, place the ground coffee adaptor into the adaptor compartment. Slide the adaptor handle in to the grooves at the front of the Coffee Maker. (See Figure 9.)
4. Press the adaptor compartment's lid down firmly to lock.
5. Plug the Coffee Maker into a 120V AC electrical wall outlet.
6. Press the GROUND COFFEE button to begin the brew cycle.
7. To interrupt the brewing cycle at any time, press the GROUND COFFEE button.
8. At the end of the cycle, the Coffee Maker and all indicator lights will automatically turn OFF.
9. Allow unit to cool before removing the ground coffee adaptor to discard used coffee grounds.
10. Unplug the CRUX Triple Brew Coffee Maker when not in use.



## Single Serve Hot Beverages

Boiling plain water in your CRUX Triple Brew Coffee Maker is quick and easy. Water is dispensed at the perfect temperature for preparing single cups of bagged teas, instant soups, quick cooking oats, packaged hot chocolate, hot apple cider or anything that requires boiling water.

**WARNING:** Before brewing, it is recommended the water tank be filled at least to the lowest 6 oz. step.

To avoid damage to your Coffee Maker, never operate your Coffee Maker when the water tank is empty. DO NOT EXCEED the 15 oz. MAX fill step.

**IMPORTANT:** To prevent tainted or “off” flavors when changing hot beverages, while the unit is OFF, use a damp paper towel to completely remove any residue from the adaptor compartment.

1. Follow detailed brewing instructions described previously.
2. Following package instructions, add the specified amount of cold water to the water tank, never adding less than 6 oz. or more than 15 oz.
3. Prepare your cup, mug, or tumbler by placing the item of your choice into the mug
4. Select either adaptor. With the handle facing front, place the adaptor of choice into the adaptor compartment. Slide the adaptor handle into the grooves at the front of the coffee maker.
5. Following detailed instructions described previously, adjust the drip tray to accommodate your cup, mug, or tumbler.
6. Center the cup under the nozzle and press the CAPSULE button.
7. After water has been heated and dispensed, stir contents of mug well.

## Single Serve Iced Coffee

**HINT!** To avoid diluted coffee, prepare frozen coffee ice cubes in advance.

Follow the detailed instructions outlined in the Using the K-Cup® Capsule or Ground Coffee Adaptor sections of this instruction manual, with the following adjustments:

1. Fill a tall (approximately 15 oz.) plastic or metal tumbler with ice cubes.
2. For maximum flavor, choose a K-Cup® or any capsule or coffee blend with high intensity flavor profile.
3. Program the CRUX Triple Brew Coffee Maker for a BOLD brew strength.
4. To ensure a thick, bold brew, add water to the 6 oz. step inside the water tank.
5. To ensure a bolder brew, use a finer grind of coffee.

**CAUTION:** Do not use with a glass cup/tumbler as there is risk the glass may crack or break.

## User Maintenance Instructions

This appliance requires little maintenance. It contains no user-serviceable parts. Any servicing requiring disassembly other than cleaning must be performed by a qualified appliance repair technician.

## Care & Cleaning Instructions

1. Always make sure the CRUX Triple Brew Coffee Maker is unplugged and the warming plate is cool before attempting to clean.
2. After every use, remove the gold tone coffee filter, discard used coffee grounds, rinse thoroughly.
3. Remove either adaptor, wash and rinse thoroughly.
4. Wash the glass carafe and drip tray in hot, sudsy water. If necessary, scrub the inside of the carafe lid with a soaped kitchen brush.

**NOTE:** The coffee scoop, gold tone coffee filter, removable filter holder, drip tray and both adaptors are top rack dishwasher-safe.

**WARNING:** When cleaning the carafe in the dishwasher, special care must be taken to set carafe away from other items so that it can not touch anything during the dishwashing process.

**WARNING:** To avoid breakage, handle carafe with care. Avoid impact. Glass will break as a result of impact. Use care when filling with water to avoid hitting faucet.

5. Wipe the exterior with a damp cloth to remove superficial stains. For stubborn stains, use a nylon or plastic pad with a non-abrasive cleanser. Do not use metal scouring pads or abrasive cleansers.
6. Dry and replace disassembled parts. Make sure the removable filter holder drops down and is properly seated into the housing.
7. Close the lid.

## Clean Cycle: Carafe

**IMPORTANT!** Special descaling of your Coffee Maker is recommended at least once a month, depending on frequency of use and quality of water used in the unit. If water in your area is especially hard, the following descaling procedure should be performed every 2 weeks, since minerals in water can detract from the flavor of the coffee and possibly lengthen brew time.

**NOTE:** During descaling, more steam will occur than during normal coffee brewing.

1. Fill carafe with 6 cups white vinegar and 4 cups of cold water. Pour cleaning solution into water tank.
2. Insert the empty gold tone filter basket into the filter basket holder and close lid.
3. Check to make sure the flavor infusion tube is in good condition. Close the carafe lid.
4. Center the empty carafe on the warming plate.
5. Press and hold both the HOUR and MIN buttons for 3 seconds. The LCD will illuminate and CLEAN will appear on the screen. Press the BREW PROGRAM/OFF button to confirm. Press the BREW PROGRAM/OFF button a second time to begin the CLEAN cycle.
6. When the cleaning cycle is complete, the illuminated BREW PROGRAM/OFF button will turn OFF and 3 tones will sound.
7. Discard all water/vinegar solution from carafe and water tank.
8. Allow Coffee Maker to cool for 15 minutes.
9. Rinse thoroughly by brewing 2 - 3 carafes full of cold water with the gold tone coffee filter fitted into the removable filter holder.

## **Descaling: Single Serve**

1. Remove the drip tray to accommodate a 15 oz. tumbler.
2. Fill the tumbler with 3 oz. white vinegar and 9 oz. cold water. Pour cleaning solution into the single serve water tank. Do not add any adaptor.
3. Center the tumbler under the single serve nozzle.
4. Press either the GROUND COFFEE or CAPSULE button to begin descaling.
5. The white HEATING indicator light will begin to flash as the Coffee Maker begins heating the water
6. When the water has reached the optimal temperature, the heating light will darken and the white BREWING light will illuminate. Brewed coffee will begin to stream through the nozzle
7. At the end of the cycle, the Coffee Maker and all indicator lights will automatically turn OFF
8. Repeat steps 1 to 7 for three times
9. Following the same procedure, continue to run clean water through the Single serve three time, or until water is clean and fresh and no residual vinegar odor or flavor remains
10. Unplug the Coffee Maker when not in use
11. Dry parts thoroughly.

## **Storing Instructions**

1. Unplug unit and allow to cool.
2. Never wrap the cord tightly around the appliance. Do not place any stress on the cord where it enters the unit, as this could cause the cord to fray and break.
3. Store the Triple Brew Coffee Maker with the carafe, gold tone filter and one adaptor in place when storing.
4. Store the Triple Brew Coffee Maker in its box or in a cool, dry place.
5. Never store unit while it is still plugged in.

## Limited Two-Year Warranty

SENSIO Inc. hereby warrants that for a period of **TWO YEARS** from the date of purchase, this product will be free from mechanical defects in material and workmanship, and for 90 days in respect to non-mechanical parts. At its sole discretion, SENSIO Inc. will either repair or replace the product found to be defective, or issue a refund on the product during the warranty period.

The warranty is only valid for the original retail purchaser from the date of initial retail purchase and is not transferable. Keep the original sales receipt, as proof of purchase is required to obtain warranty validation. Retail stores selling this product do not have the right to alter, modify, or in any way revise the terms and conditions of the warranty.

### Exclusions:

The warranty does not cover normal wear of parts or damage resulting from any of the following: negligent use of the product, use of improper voltage or current, improper routine maintenance, use contrary to the operating instructions, disassembly, repair, or alteration by anyone other than qualified SENSIO Inc. personnel. Also, the warranty does not cover Acts of God such as fire, floods, hurricanes, or tornadoes.

SENSIO Inc. shall not be liable for any incidental or consequential damages caused by the breach of any express or implied warranty.

Apart from the extent prohibited by applicable law, any implied warranty of merchantability or fitness for a particular purpose is limited in time to the duration of the warranty. Some states, provinces or jurisdictions do not allow the exclusion or limitation of incidental or consequential damages, or limitations on how long an implied warranty lasts, and therefore, the above exclusions or limitations may not apply to you. The warranty covers specific legal rights which may vary by state, province and/or jurisdiction.



### **How To Obtain Warranty Service:**

You must contact Customer Service at our toll-free number: 1-866-832-4843. A Customer Service Representative will attempt to resolve warranty issues over the phone. If the Customer Service Representative is unable to resolve the problem, you will be provided with a case number and asked to return the product to SENSIO Inc. Attach a tag to the product that includes: your name, address, daytime contact telephone number, case number, and description of the problem.

Also, include a copy of the original sales receipt. Carefully package the tagged product with the sales receipt, and send it (with shipping and insurance prepaid) to SENSIO Inc.'s address. SENSIO Inc. shall bear no responsibility or liability for the returned product while in transit to SENSIO Inc.'s Customer Service Center.

# **CRUX**





For customer service questions or comments  
1-866-832-4843

For Recipes and Cooking tips  
[cruxkitchen.com](http://cruxkitchen.com)

 [crux.kitchen](https://www.instagram.com/crux.kitchen)  [cruxkitchen](https://www.facebook.com/cruxkitchen)  [cruxkitchen](https://twitter.com/cruxkitchen)  [cruxkitchen](https://www.pinterest.com/cruxkitchen)  [CRUX kitchen](https://www.youtube.com/CRUXkitchen)

CRUX is a trademark of 8479950 Canada Inc.,  
Montreal, Canada H3C 4S9.  
All rights reserved