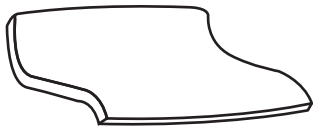


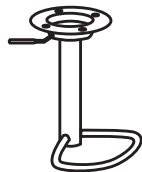
# Bar Stool

Assembly Instructions  
Instrucciones De Asamblea  
Instructions d'Assemblée

## PARTS



A



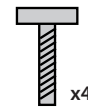
B



C



D



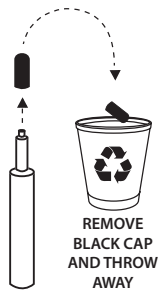
x4

E

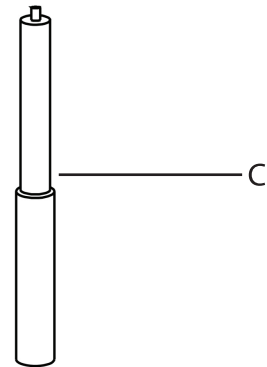


F

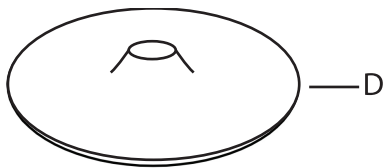
### 1



REMOVE  
BLACK CAP  
AND THROW  
AWAY

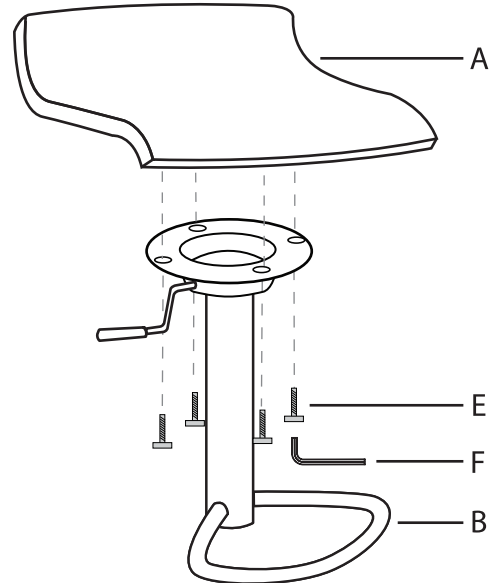


C



D

### 2



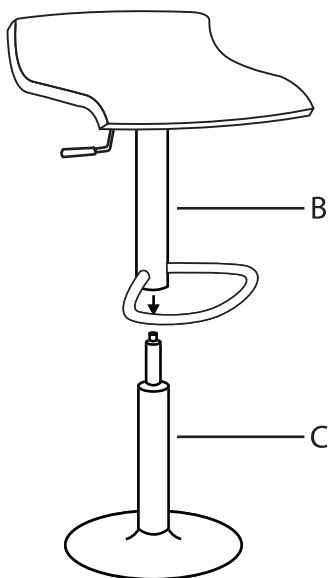
A

E

F

B

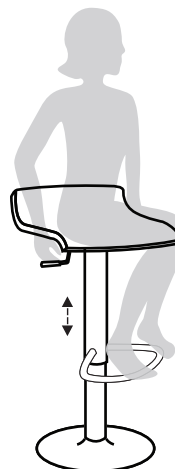
### 3



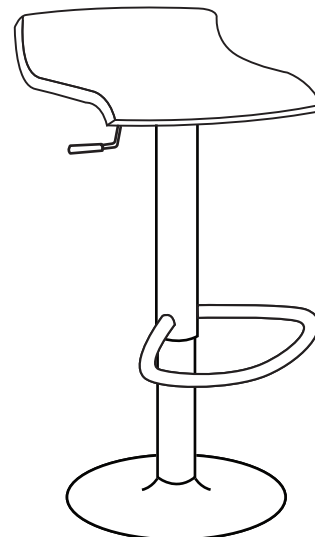
B

C

### 4



SIT TO SECURE



Do not over tighten.  
Do not use power tools to assemble.

#### WARNING:

- DO NOT STAND ON OR USE THIS STOOL AS A STEP LADDER.
- THIS STOOL IS MEANT TO SEAT ONLY ONE PERSON AT A TIME
- ALL BOLTS, SCREWS, AND KNOBS MUST BE TIGHTLY SECURED, AND SHOULD BE CHECKED AT LEAST EVERY 4 MONTHS.
- IF PARTS ARE MISSING, BROKEN, DAMAGED OR WORN, THEN STOP USING THE PRODUCT UNTIL REPAIRS ARE MADE USING FACTORY AUTHORIZED PARTS.