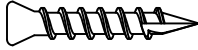
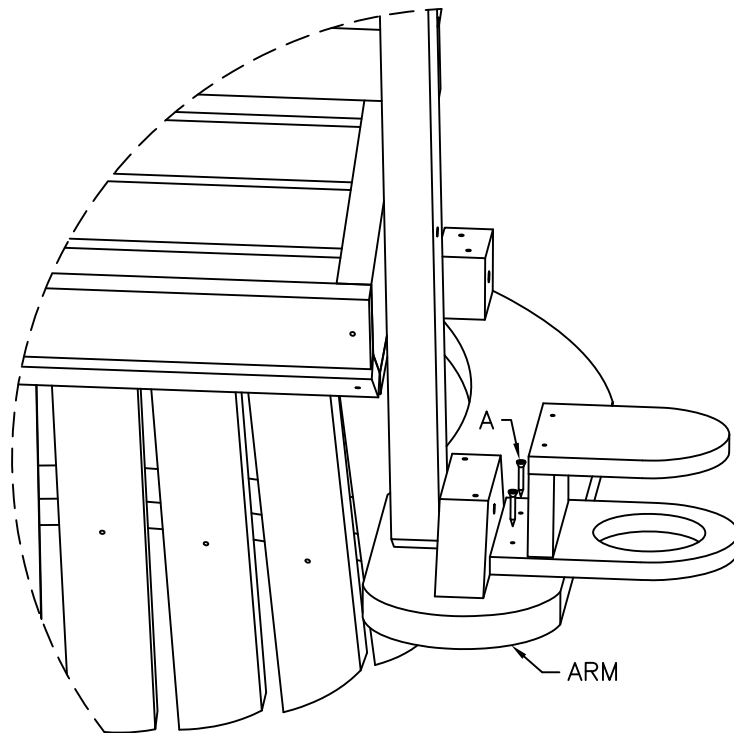
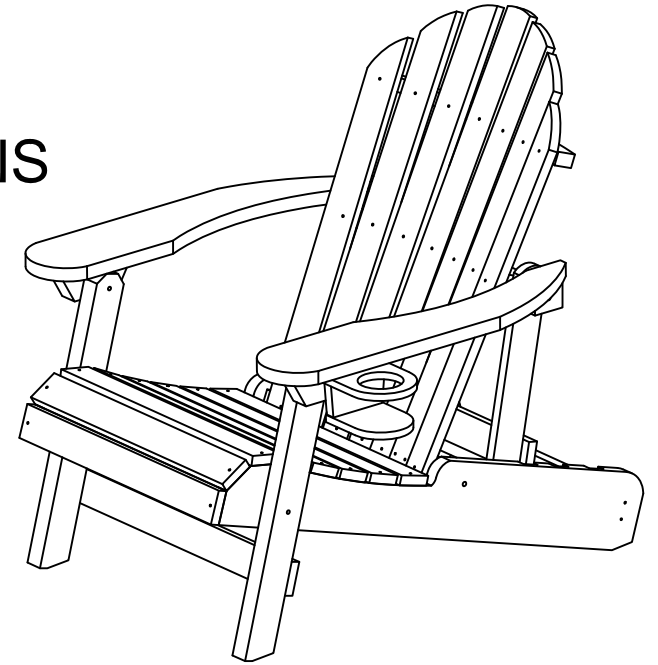


Do not fully tighten the bolts until all bolts are started. Once all bolts are inserted, then go back and tighten all the bolts.

## HARDWARE

A  x2

# CUP HOLDER ASSEMBLY INSTRUCTIONS



1) With chair turned over, attach  
Cup Holder with two A screws

(Cup Holder can be installed on either arm)