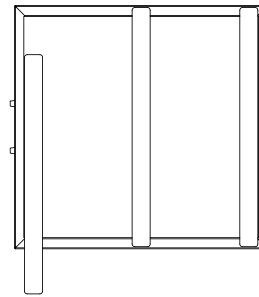
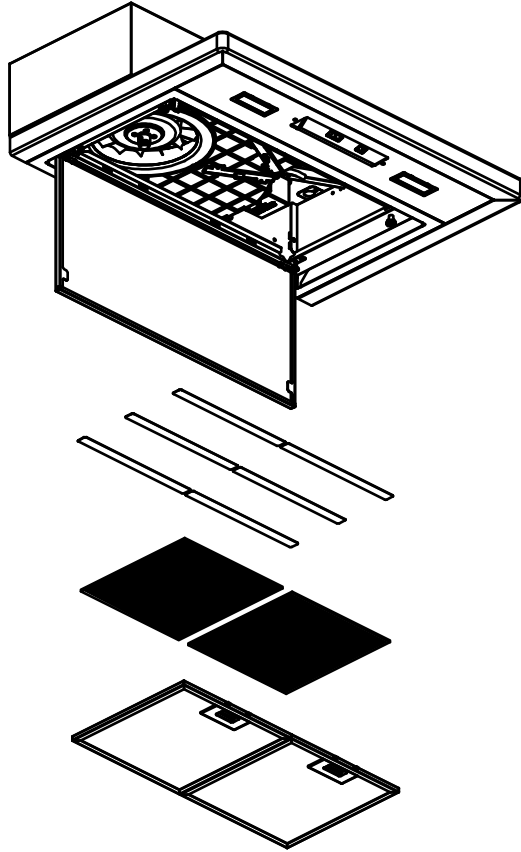


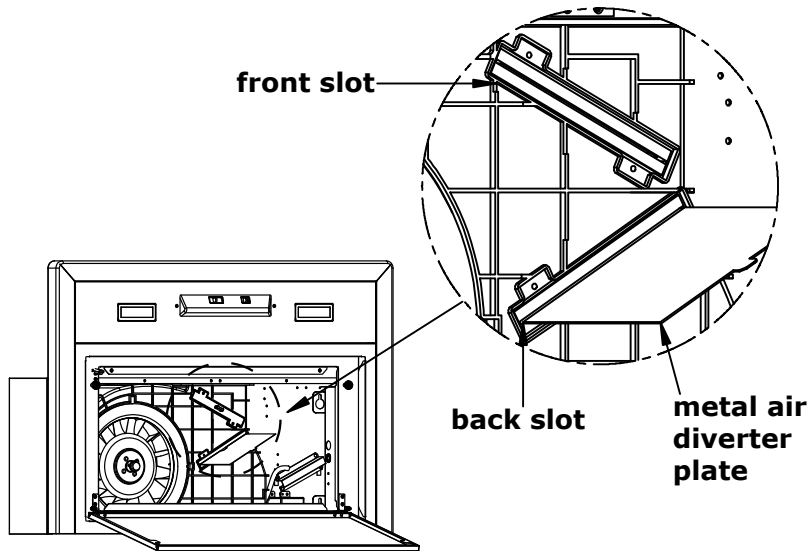
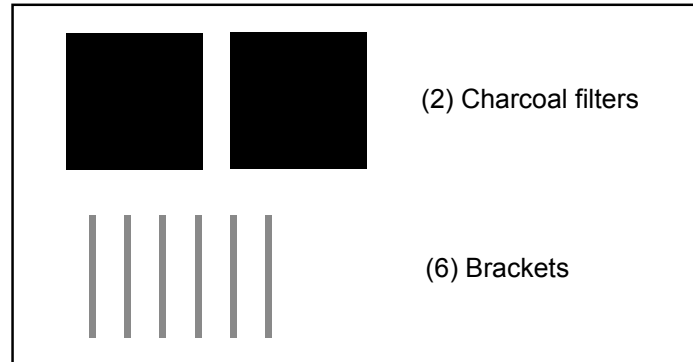
ZRC-00PY

For use with models : ZPY-B



Place charcoal filter on back-side of filter. And place filter brackets over charcoal filter and secure in place by tucking each end of bracket under the filter frame. Re-install filter.

INCLUDED MATERIALS



- a. Remove air diverter plate slot covers.
- b. Remove metal air diverter plate from front slot and reposition to back slot.
- c. Reinstall air diverter plate covers.