

Bramah / Joseph Pendant - Small

BMH-13892 / JPP-14059 - UK/EU Ver

BMH-14883 / JPP-14885 - US Ver

Attention

In some countries electrical installation must be carried out by authorised electricians/ contractors; please check with your local authority for guidance. The product must not be modified in any way. EOQ accepts no responsibility for any products that have been modified or tampered with.

If the trailing cable on this product becomes damaged it should be replaced immediately by qualified electrician to ensure there is no further danger to the user.

Cleaning Instructions

Ensure that the power supply has been turned OFF before cleaning the product. The product can be cleaned with a non-abrasive cloth.

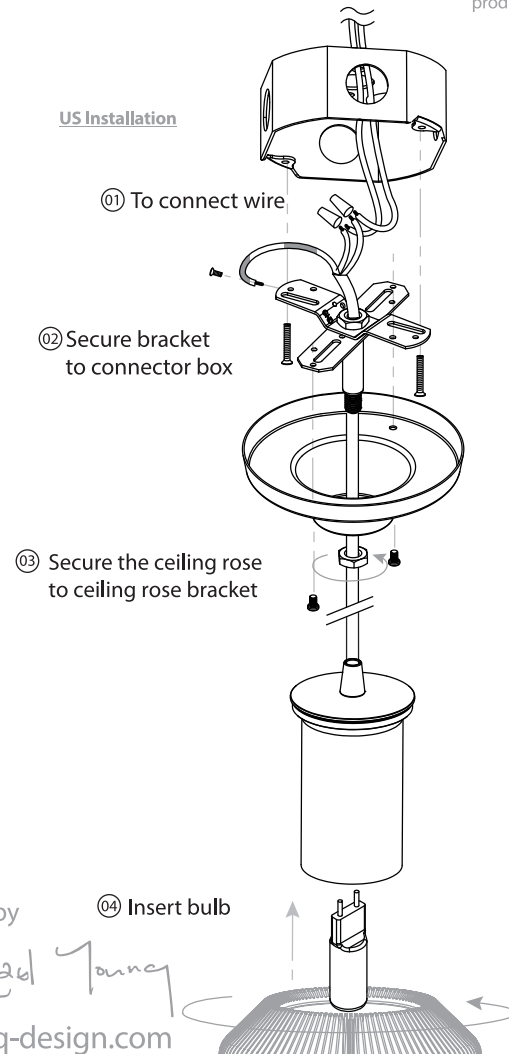
Do not use alcohol or any other solvents to clean the product.

Technical Data

This product is not supplied with a bulb. Please use a certified G9 bulb that lies within the suggested energy efficiency index as stated on the energy efficiency label. Any bulb used must comply with the recommended maximum voltage suggested on the safety label located on the product.

EOQ will not accept any responsibility for any accidents or injury that occurs due to the use of incorrect bulbs.

US Installation

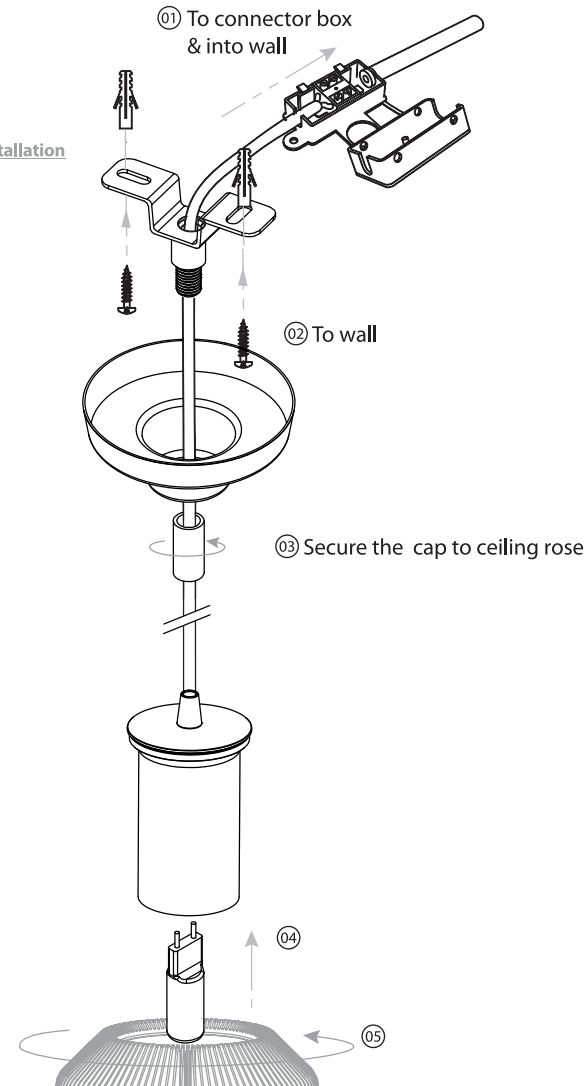


Designed by

Michael Young

www.eoq-design.com

UK/EU Installation

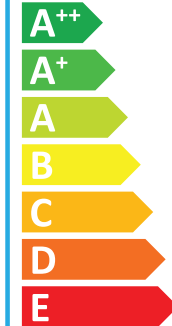


Bramah Pendant - Small

BMH-13892



This luminaire is compatible with bulbs of the energy classes:



874/2012

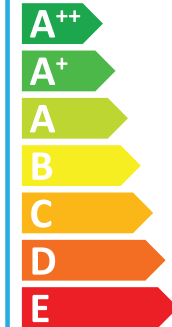


Joseph Pendant - Small

JPP-14059



This luminaire is compatible with bulbs of the energy classes:



874/2012

