

JORA FORM

LOCAL COMPOSTING

Assembly Instruction Monteringsinstruktion

JK125/270 (low or high stand)
JK125/270 (vägg eller markstativ)



Tools: 2pcs of spanner 13mm or 2pcs of adjustable spanner, 1 spanner 14mm and a cross slotted screwdriver
Warning: Plates can be sharp in the edges and corners, please be careful when handling them.
Other: We strongly recommend 2 people mounting the compost. The lids are easiest to mount if the compost is placed lying down. Make sure to protect the paint by placing on a soft base.

Verktyg: 2 st fasta nycklar 13mm alt. 2st skiftnycklar, 1 st fast nyckel 14mm samt stjärnskruvmejsel
Varning: Plåtarna kan vara vassa, hantera varsamt.
Övrigt: Vi rekommenderar att 2 personer monterar komposten. Locken är enklast att montera om komposten ligger ned på marken. Glöm ej att skydda färgen med kartong eller liknande mjuk yta.

Contact Information:

Joraform AB
Box 165
S – 595 22 Mjölby, Sweden

Tel. +460142 -232 00
Fax. +460142-230 51

Web: www.joraform.com

Kontaktinformation

Joraform AB
Box 165
595 22 Mjölby

Tel. 0142-232 00
Fax 0142-230 51

Web: www.joraform.se

Sketch What to do Note! Step 1B and 4L and 8 only applies if you have the high stand (HS)

1
(HS) **A** Mount locknuts J (2pcs) on one side of the threaded rods B (2pcs). Tighten them with your hands, no tools. (Remove any plastic covers protecting the threads).
B Fasten one end of the flat rod R (1pcs) to one of the A stands, use nut J (1pcs) and screw P (1pcs) ! Note that the location of holes are not symmetrical on A.
C Insert the threaded rods B (2pcs) in the holes on A+R (1pcs), with the nuts downwards.

2 Insert steel pipes C (2pcs) in threaded rods B (2pcs).

3 Insert the long plastic pipe D over one of pipe C, which one? -See sketch 3.

4
(HS) **A** Insert plastic pipe M (1pcs) on plastic pipe D.
B Insert gable E (1pcs) on D. Painted surface downwards. If it's hard to mount insert it from the other side of the pipe.
C Insert insulation Fa (1pcs) on D, note that the ventilation-hole in the insulation material must be in line with ditto in steelgable E.
D Insert plastic pipe L (1pcs) on D.
E Insert plastic plate K (JK125) or Ka (JK270) on D. (Ka is an octagonal plastic plate only included with JK270).
F Insert insulation Fb (1pcs) on D.
G Insert square plastic plate K (JK125) or Kb (JK270) on D (on opposing sides of K or Ka). Mount the plastic screws X (8pcs) and nuts U (8pcs) in the corners of the plastic plate. Push nuts through the insulation. Tighten it until insulation compresses approx 5mm
H Insert plastic pipe L (1pcs) on D.
I Insert insulation Fa (1pcs) on D.
J Insert gable E (1pcs) on D, note that the ventilation-hole in the insulation material must be in line with the ditto in steel gable E. Painted surface upwards.
K Insert plastic pipe M (1pcs) on D.
L Fasten on one end of the flat rod R (1pcs) to not mounted A use nut J (1pcs) and screw J (1pcs) ! Note that the location of holes are not symmetrical on A.
M Mount the other A (1pcs)+R (1pcs) on B (2pcs).
N Mount locknuts J (2pcs) on the treads on rods B (2pcs), use no tools for tightening.
O Raise the compost on the stand carefully.
P Tighten locknuts J (4pcs) rather hard, use 2pcs spanner 13 mm or a 2pcs adjustable spanners. Best result achieved if 2 people help each other tighten these!

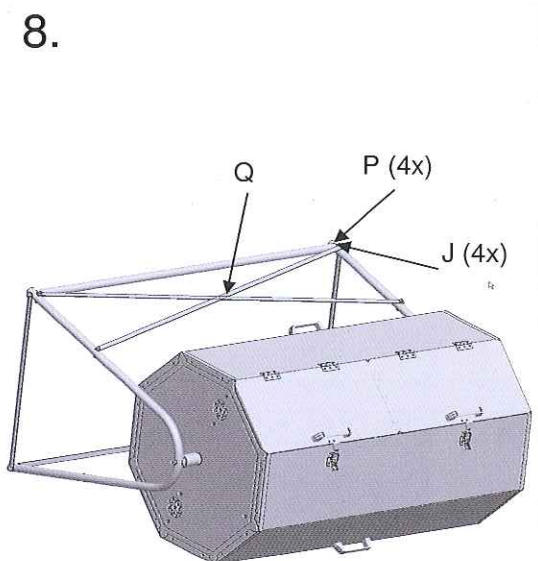
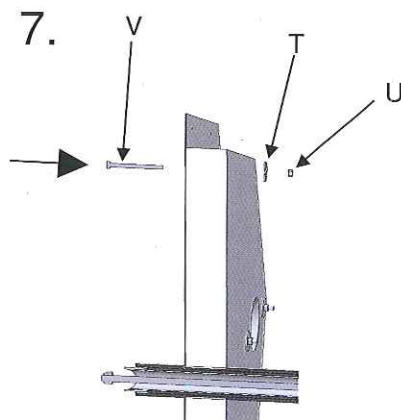
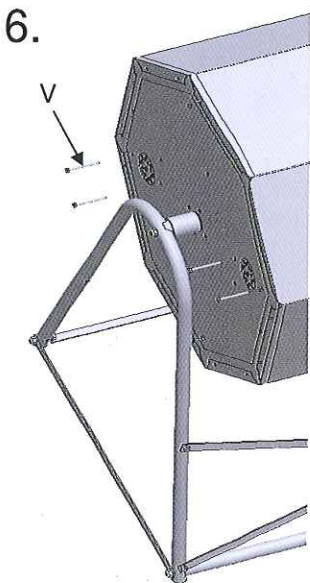
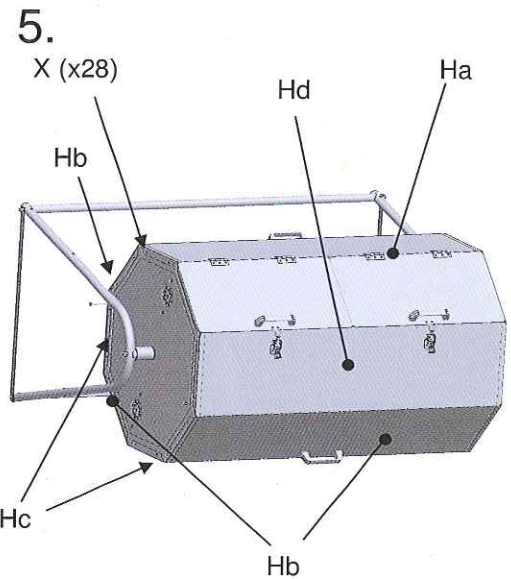
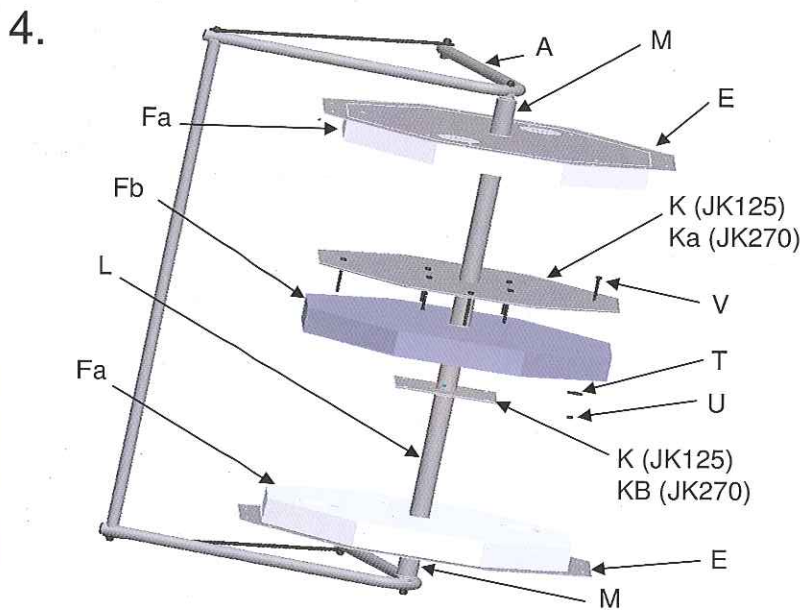
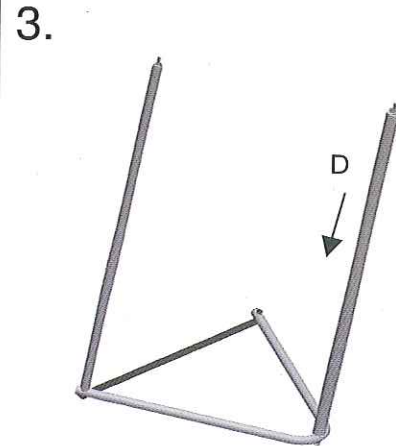
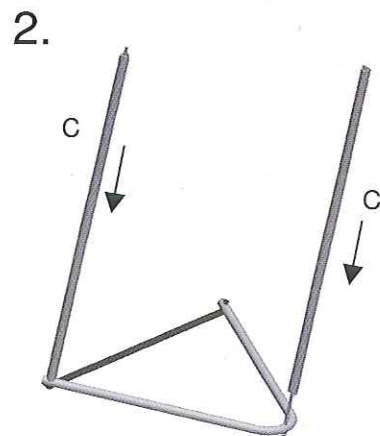
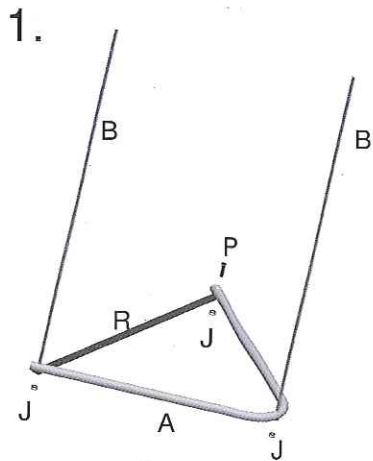
5
A Mount the double lid Ha (1pcs) with self threading screws X(4pcs), lid parts that can be opened shall not have any screw holes in the gable E (2pcs). Turn the double lid Ha (1pcs) so you have the handle facing against you, when you have the mounting holes in A in the back (see sketch 5 and 8). Easiest if one pushes downwards and one uses the screwdriver. Fitting on the isolation can vary depending on the age of it, it may shrink a little with time. Adjust octagonal isolation (3pcs) so they are in the correct position. (Turn around centre axle).
B Mount lid with the excenterlock (Hd) beside double lid (Ha). Turn it so the excenterlocks match each other.
C Mount the lids Ha and Hb so you get the handles symmetrically placed around the compost, use the self threading screws X (28pcs), don't tighten them hard! When all lids are mounted, tighten the screws.

6/7 Insert the plastic screws V (12pcs) through the holes in steelgable E and with force through insulation Fa. Use plastic washer T (12pcs) and plastic nut U (12pcs) on the inside. Tighten until you have compressed the insulation approx 5mm. Notice! Ventilation hole in steelgable E must be in line with the ditto in insulation Fa (also see sketch 6 and 7).

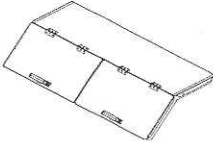
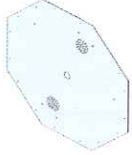
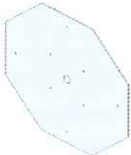
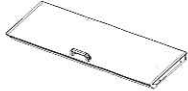
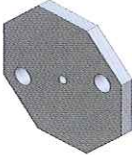




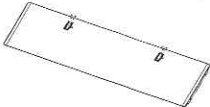


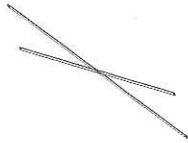











8 (HS) Mount diagonal flat rod Q (1pcs), use nut J (4pcs) and screw P (4pcs).

Warning! Mounting the compost on the wall (low stand) is at your own risk!! Remember that a filled compost can weigh up to 250kg (550lb), use fasteners that can withstand the weight, also, the wall must be of good quality.

Mounting JK125/270



Parts JK125/270

	Ha (1X)		E (2x)		Ka (1x) (JK270)
	Hb (3x)		Fa (2x)		Kb (1x) (JK270)
	Hc (2x)		Fb (1x)		K (2x) (JK125)
	Hd (1x)		B (2x)		A (2x)
	Q (2x)		C (2x)		L (2x)
	R (2x)		D (1x)		M (2x)
	P (6x)		J (10x)		X (28x)
	V (20x) Plastic		U (20x) Plastic		T (20x) Plastic