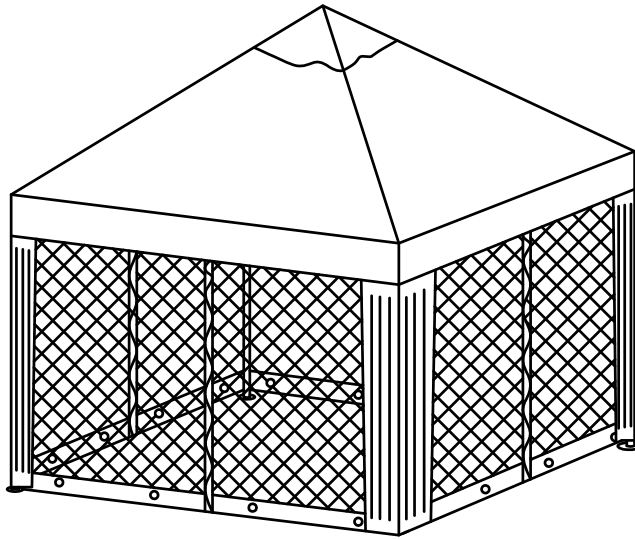


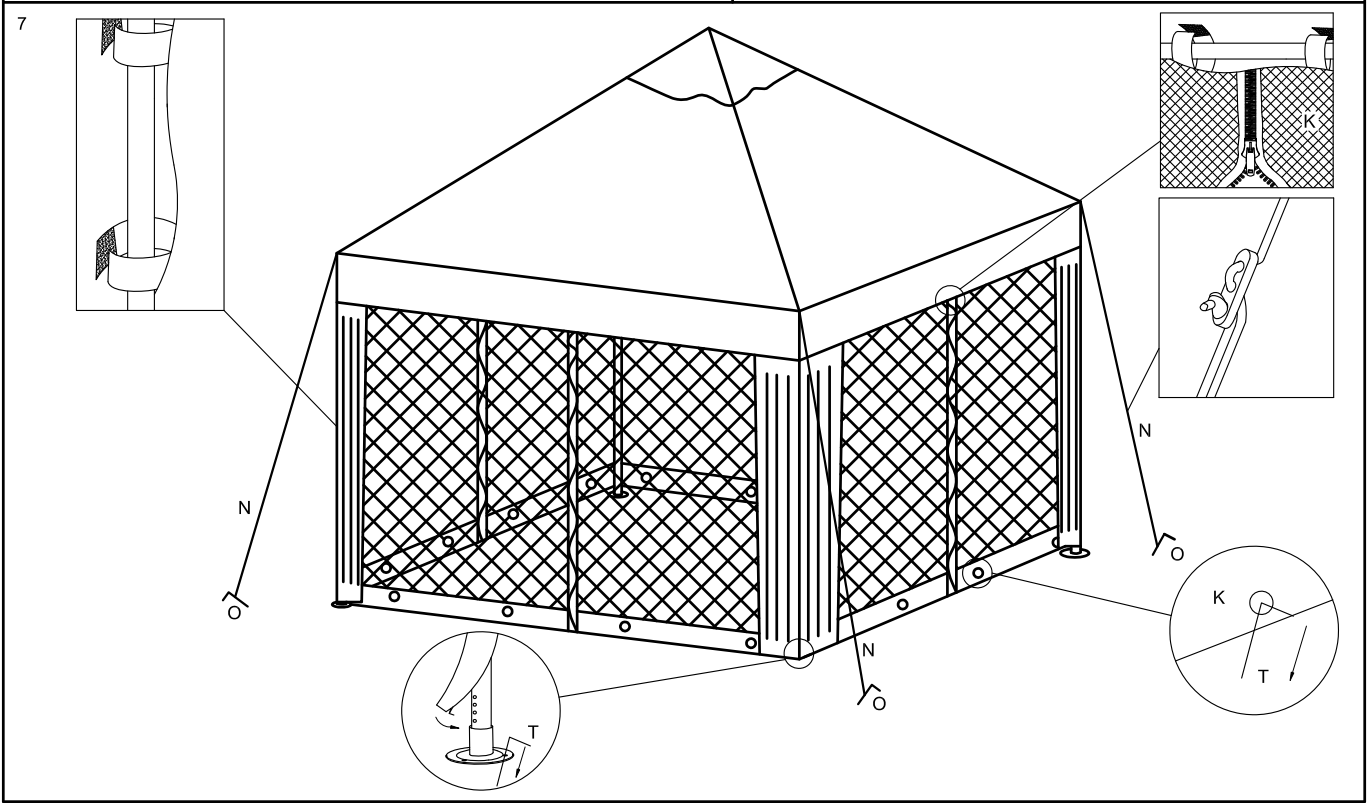
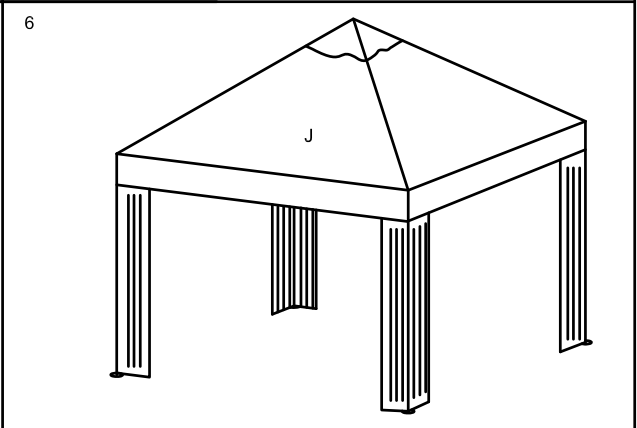
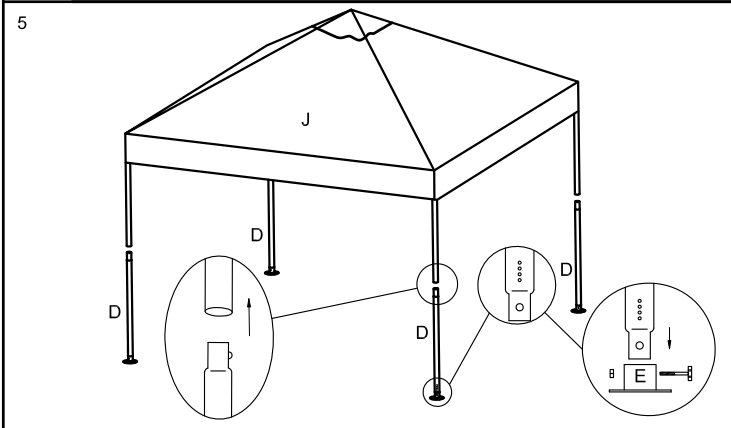
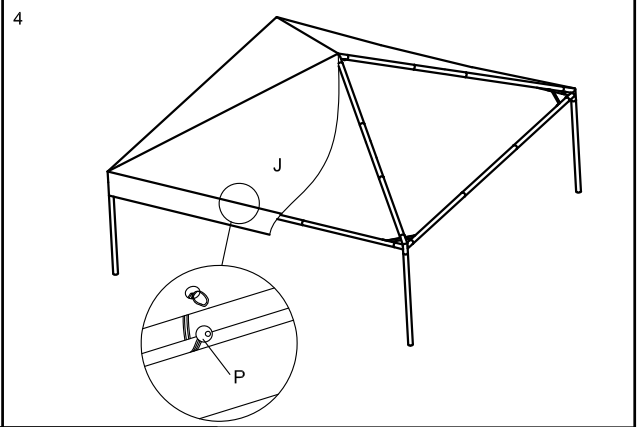
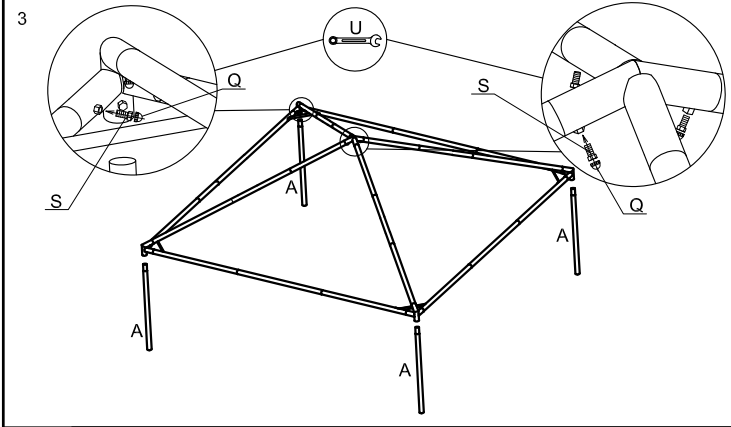
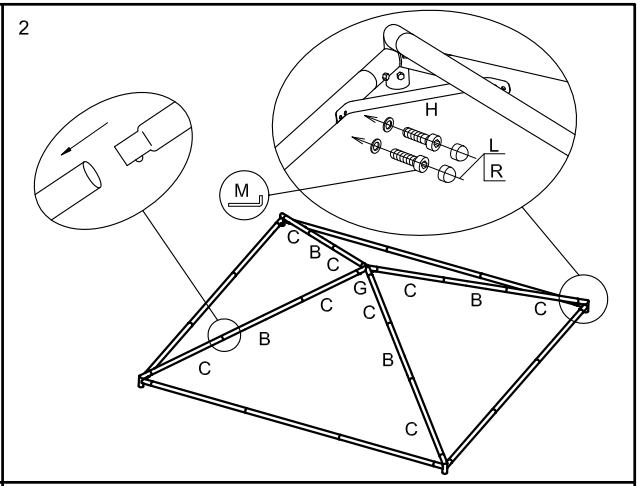
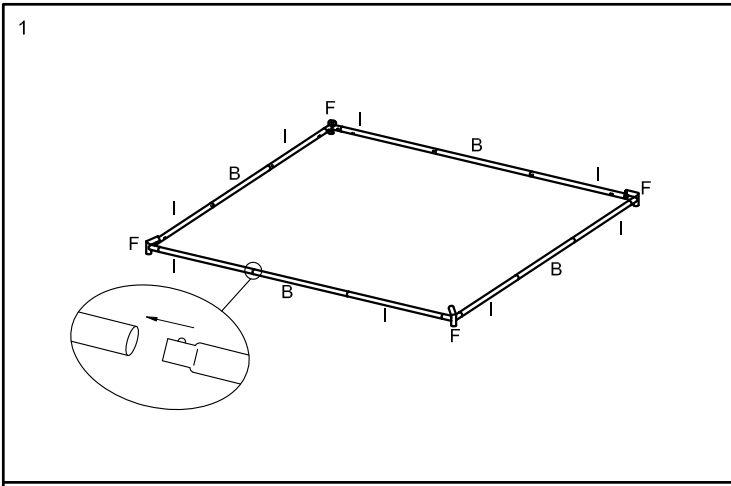


3x3M GAZEBO



Pack Contents

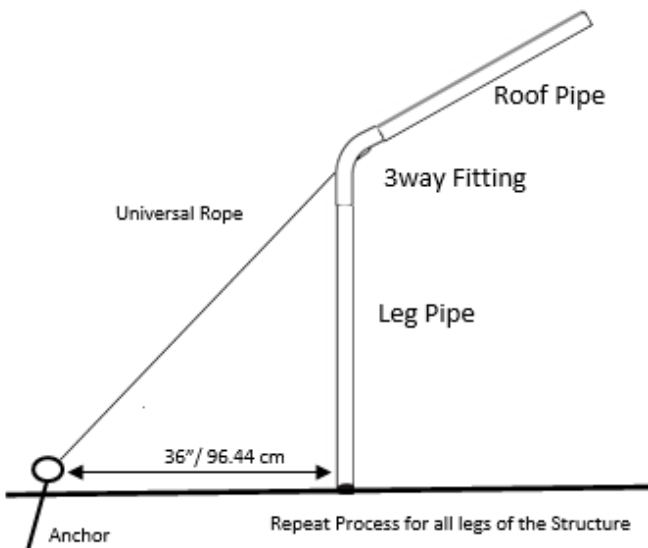
NO.	PARTS	QTY
A		4
B		8
C		8
D		4
E		4
F		4
G		1
H		4
I		8
J		1
K		4
L		16
M		1
N		4
O		4
P		4
Q		20
R		16
S		20
T		20
U		1



Anchoring Instructions

The canopy / carport is designed for temporary use. Once assembled the unit **MUST** be securely anchored to the ground or a permanent structure to prevent damage from wind.

Medium to Severe winds will cause damage to the frame and it to twist, unanchored legs will fall and could cause damage to the frame, cover, or surroundings causing the roof to collapse. If severe winds or weather is expected you must remove the cover to prevent damage, otherwise the frame could fly away, or the cover to be ripped. A separate anchoring system is recommended for purchase the included ground spikes and rope are **NOT** a secure method to **SOLELY** anchor the frame.



Impact Canopy Auger Style Anchoring Kit: (sold separately)

Designed to work on medium to hard surfaces, Grass; Dirt; Gravel with hard subsurface. Not to be used on Sand, loose gravel or concrete.

Step 1: Starting at one corner - Measure 36 inches / 96.44cm from each leg. Take one of the auger anchors and screw into the ground. Leave about 2 inches between the eyebolt and the ground.

Step 2: Using the rope 10' increments tie around the inside 3way corner fitting or the connector on the corner of the cover.

Step 3: Pulling the rope tight, loop through the eyebolt of the grounded anchor and securely tie.

Repeat step on all legs of the unit one side at a time. If you have an 8 let unit – repeat 8 times.

Step 4: Finish to Screw down the grounded anchors so that is it completely flush with the ground. And equally taut on both sides of the canopy. Be sure to continuously check that all anchors and rope is taut and secure to ensure the unit stays properly anchored. Reminder in high winds remove cover.

WARRANTY:

Impact Canopy strives to bring products to the market that are superior free of defect. We are confident that you will be completely satisfied with your canopy / carport. Listed below are precautions that should be taken to ensure proper safety and use of your unit.

This structure is designed for temporary use and not recommended during extreme weather conditions or as a permanent structure. Ensure that the frame is properly anchored and remove the cover during extreme weather conditions. This structure is not designed for high winds or heavy snow fall.

- Keep all direct flame and heat sources away from fabric. The fabric is treated with fire retardant coating but will burn / melt if left in continuous contact with any flame source.

Care Instructions: Use warm water, soap and a light brush or cloth to clean the fabric of this canopy / carport.

- Do NOT use Bleach, Dry Clean, or Machine Wash the cover or sidewall enclosure kit
- Do Not hang or suspend anything to the frame, cover, or grommets of the unit.
- Immediately remove and rain or snow accumulation on the cover. This can cause the cover to fault, rip, or collapse the roof.
- Removing, water, snow or ice accumulation; by using a ladder and brush away from the top of the cover. Do not stand under the unit and push the cover up to remove. This can be dangerous if the cover or frame happen to collapse from the weight of the water, snow or ice.