

SPECIFICATIONS

Features/Benefits

- 1.2 gpm (4.5 L/min) Max Flow @ 60 psi with Laminar Water Stream
- Alternative Flow Rates Available with Spray Water Stream
 - 1.0 gpm (3.8 L/min) When Used with DA60305053N Aerator
 - 0.5 gpm (1.9 L/min) When Used with DA60305052N Aerator
- 4 1/8" Spout Height, 4 7/8" Spout Reach
- Ceramic Disc Cartridge
- Includes 50/50 Touch-Down Drain Assembly
- Single Hole Mount
- Optional Deck Plate, DA667229, Sold Separately
- Optional Temperature Indicator Included



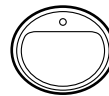
Available Color/Finishes

Color	Description
-------	-------------

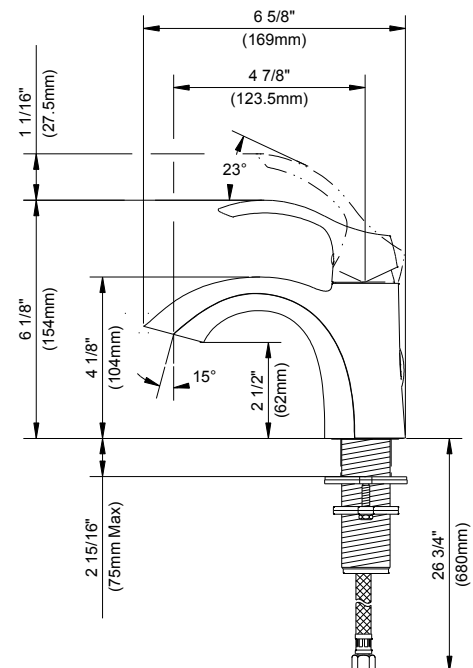
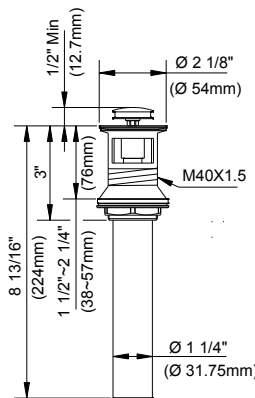
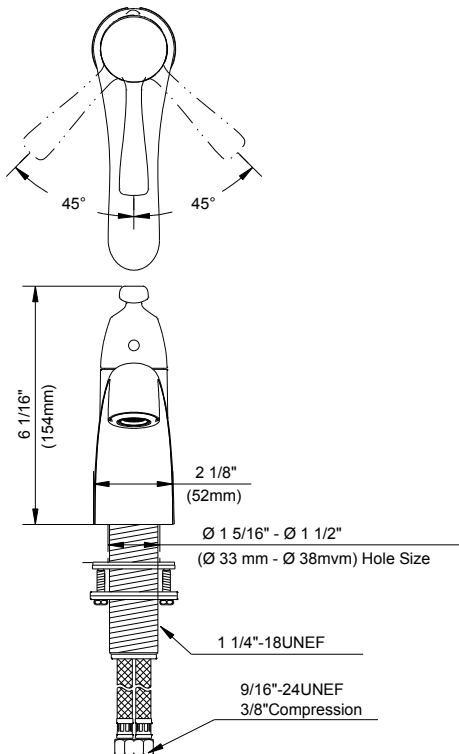
	Chrome
---	--------

Please see danze.com or current price list for available finishes. Finish is defined by additional suffix.

Mount Type



Standards & Certifications



Submittal Information:

Name: _____
Location: _____

Contractor: _____
Contact #: _____