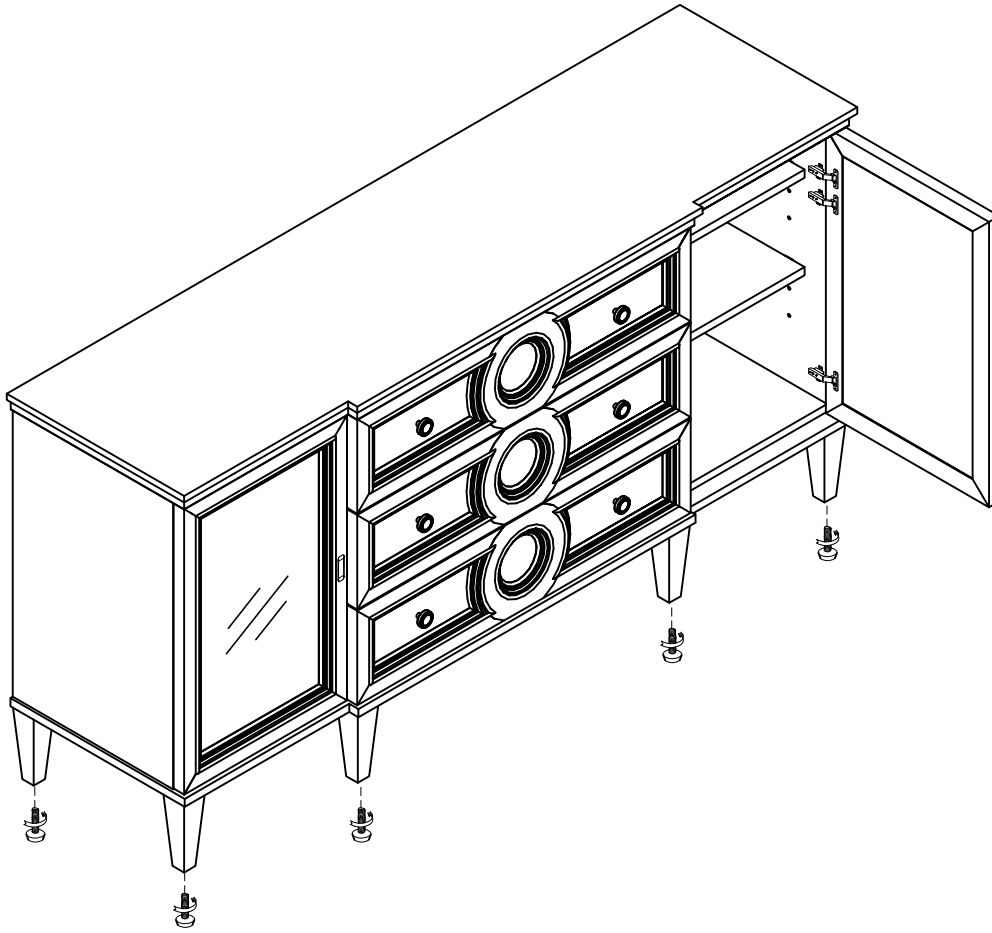


B E R N H A R D T

CASE LEVELING



1. Place a level (not included with item) on top surface of case. Confirm that the case is level in both the length and width dimensions. If the case is not level, identify the corner(s) that should be raised or lowered to bring the case to level. Adjust leveling glide accordingly.
2. If the case has doors and the doors do not have a consistent margin around them when in the closed position, pull one of the back corners toward the front. If this makes the door margin consistent, then extend the leveling glide from that location on the case to even the margin. Note that when making adjustments after the case is level, often a quarter or half-turn of the leveling glide can solve the issue.
3. Note that most door gap inconsistencies can be fixed by adjusting hinges.