

Turo

3445
55" Wall Kit

Table of Contents

Product Information and Warnings	3
What's in the box	4
Preparing and installing Power Rail	5
Power Connection	6
Connecting Luminaires	7

Coax Splicing	Appendix A
---------------	-------------------

Turo

3445

55" Wall Kit

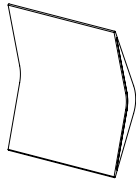
Product Information and Warnings

IMPORTANT

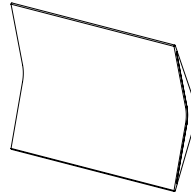
- **Always disconnect the power before installing or replacing Luminaires and before cleaning or other maintenance.**
- **Consult a qualified, licensed electrician to ensure correct branch circuit conductor.**
- ***Consulter un électricien qualifié pour vous assurer que les conducteurs de la dérivation sont adéquats.***
- Please read all included assembly instructions and warnings carefully before installation. Contact Customer Service if you have any questions or concerns. Before installation, please confirm that the fixture is compatible with your supply voltage and dimming system, if present.
- LEDs are highly sensitive electronic devices, and must be treated with care. Do not open any factory sealed compartments, and avoid touching the LEDs with your hands or any object.
- Although all our fixtures are equipped with protective devices, LED electronic systems are vulnerable to power surges and supply variations. Do not install LED fixtures on the same circuit as any motors, appliances, or HVAC systems.
- Remote LED Driver installation must be done by a licensed electrician and in accordance with local building and electrical codes. Remote installations should be in an accessible location, as close to the fixture as possible. The appropriate wire gauge must be used to limit the voltage drop to avoid overloading the LED Driver.
- Any mounting hardware is provided for your convenience and should be used with discretion. Always use the appropriate hardware for the mounting surface.

What's in the box

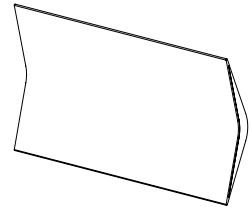
Luminaires



Small Luminaire (3)

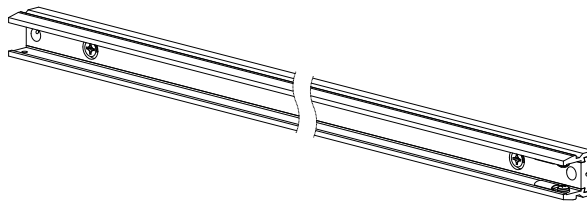


Medium Luminaire (2)



Large Luminaire (1)

Power Rail & Rail caps

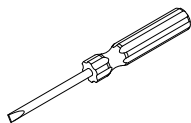


Rail (1)



End cap (2)

Tools



Slotted Screwdriver (1)

Preparing and installing Power Rail

1. Using a straight edge and pencil, mark a central line where the rail will be on the mounting surface.
2. Turo Wall Kit is often mounted in tandem with other Wall kits. We recommend spacing them a minimum of 8" (or approximately 200mm) apart, center on center. (Fig. 1)
3. Use the rail to mark anchor locations. Install wall anchors.
4. Use the rail to mark powered end location where the power leads (Fig.2) will connect to the low voltage wires from the remote driver. Drill a hole (min 12mm, max 20mm diameter) at this location.
Note: The center of the hole will be 9mm from edge of the rail once the end caps are fully assembled.
5. Mount the Rail (without end caps) to the mounting surface using screws.

Leave the 2 screws closest to the powered end location uninstalled.

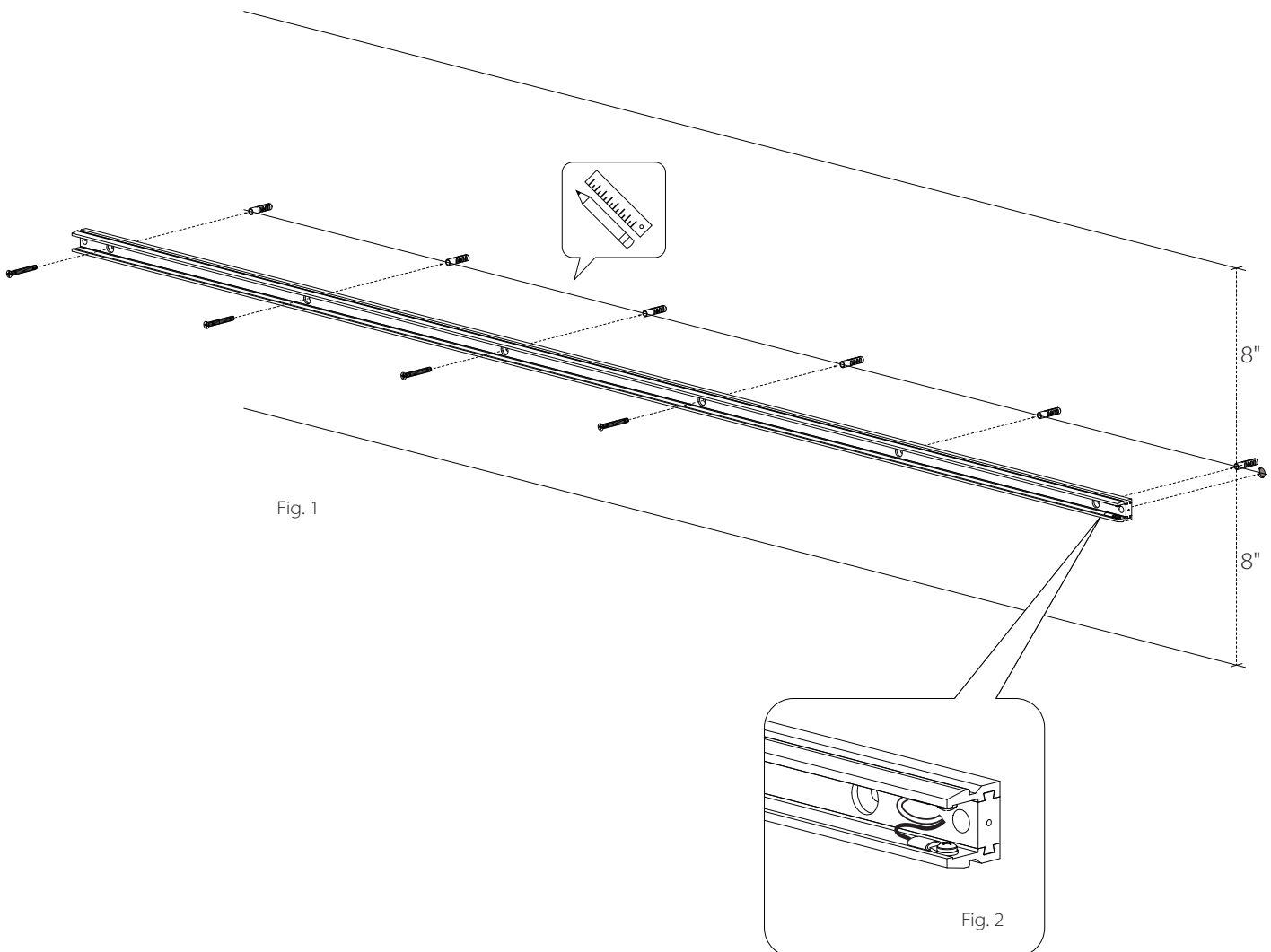
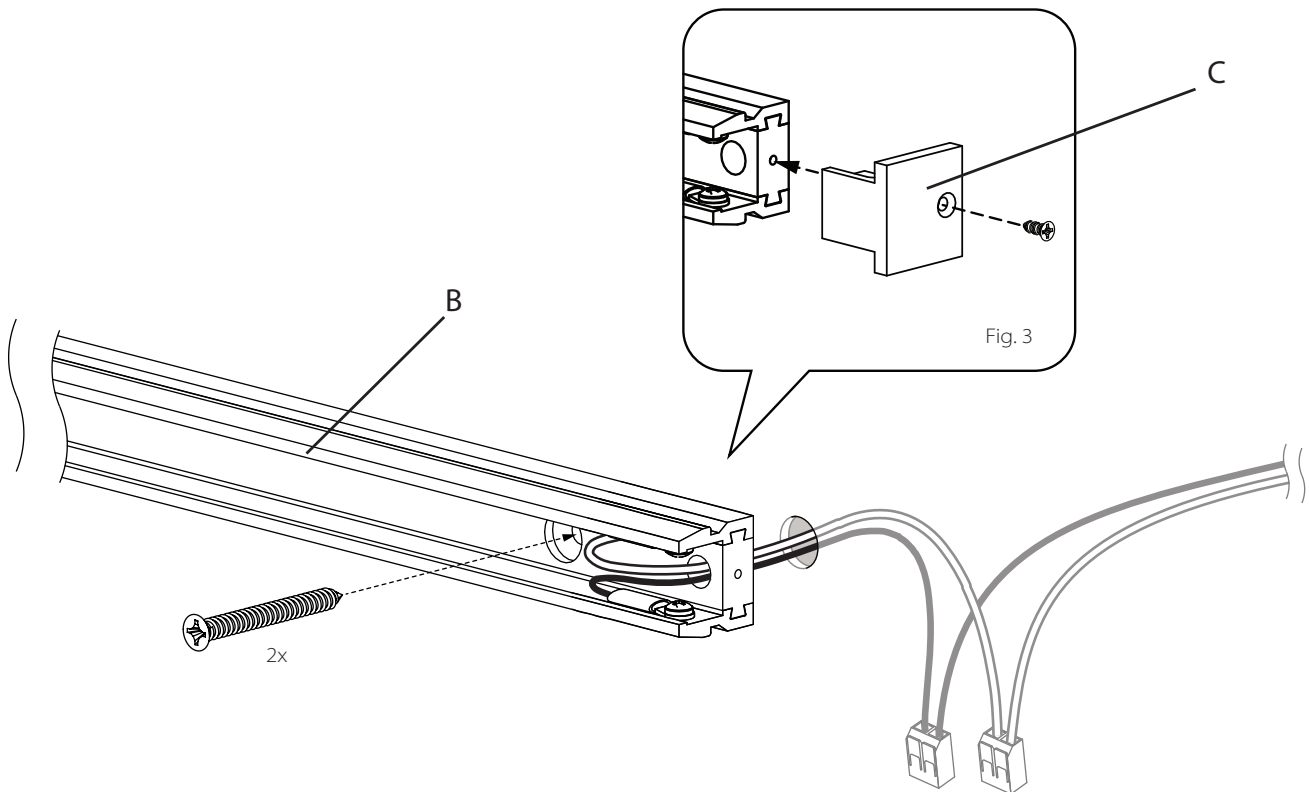


Fig. 1

Fig. 2

Power connection



1. Shut off power to the branch circuit.
2. The power supply (A) must be installed in a remote and accessible location near the Rail (B) in accordance with local electrical code (Fig. 4). Make appropriate connections:
 - a. Connect the power supply's live wire to the live supply wire.
 - b. Connect the power supply's neutral wire to the neutral supply wire.
 - c. Connect the power supply's positive (+) output wire to the necessary length of red wire (not included) to reach the fixture location.
 - d. Connect the power supply's negative (-) output wire to the necessary length of black wire (not included) to reach the fixture location.
3. Using the included connectors, connect the fixture's positive (+) conductor to the positive (red) low voltage wire and connect the fixture's negative (-) conductor to the negative (black) low voltage wire. Carefully store the connectors in the Wall.
4. Complete attaching the bar to the wall by screwing in the last 2 screws (D).
5. Close the fixtures by screwing the End caps (C) onto the ends of the bar (Fig. 3)
6. Restore power to the branch circuit.

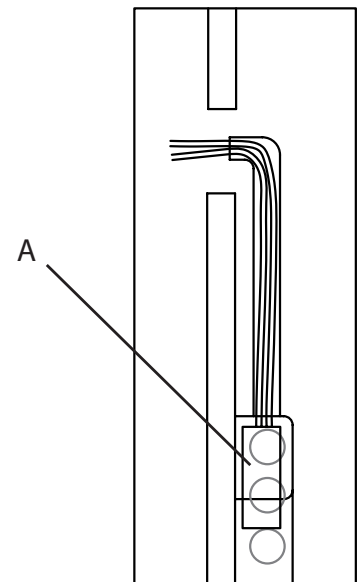


Fig. 4

Connecting Luminaires

1. Align the Luminaire to the Mounted Rail by inserting the clip details (D) partially into the center channel (H) of the Rail (Fig. 5).
2. Once aimed, push the fixture into the bar. There will be a "click" when luminaire is completely engaged with the rail.

Note: Turo is intended to be tilted and moved. Adjust the angle of the luminaire by gently pushing up or down on the luminaire body

3. Install remaining luminaires.

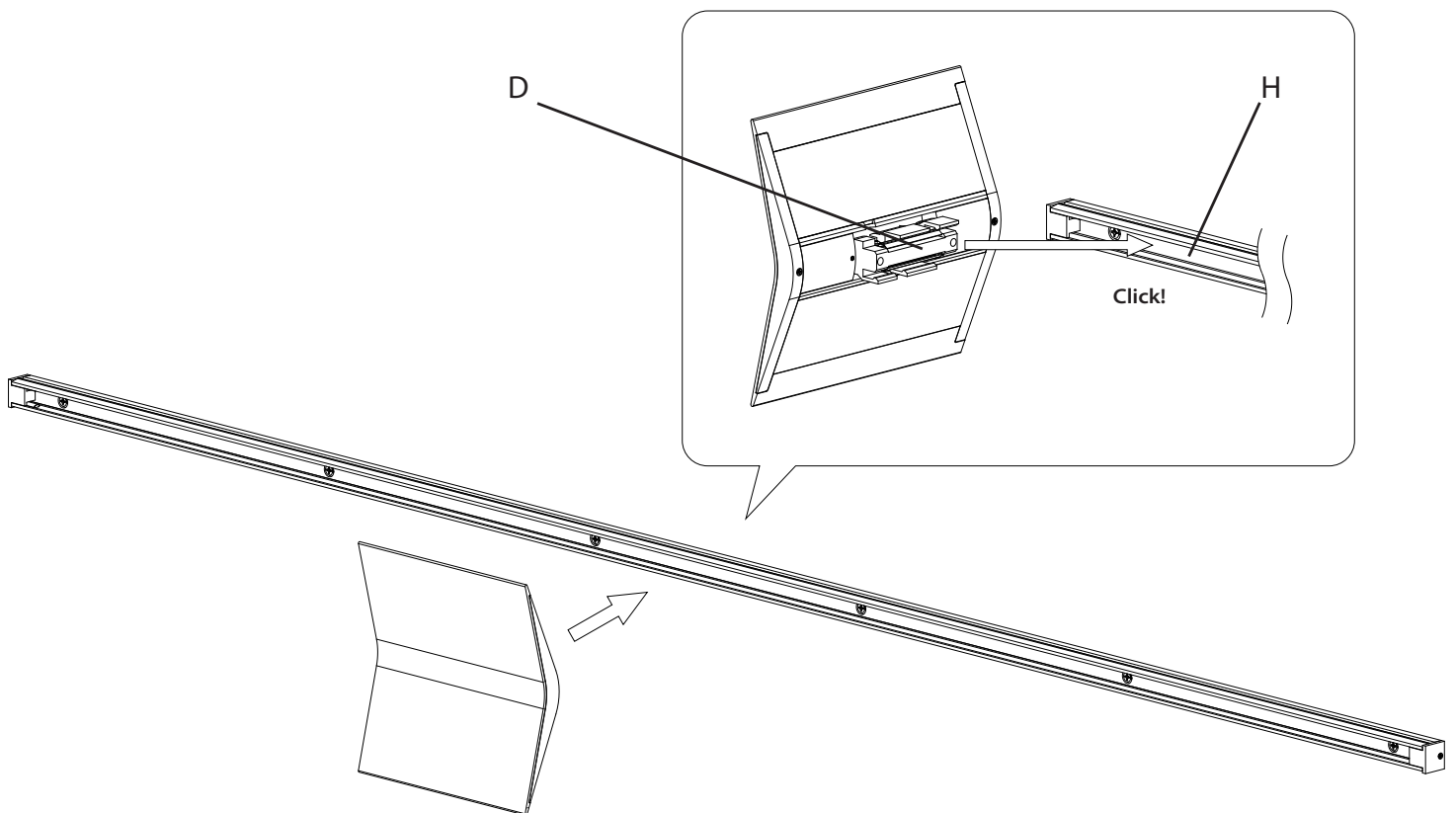
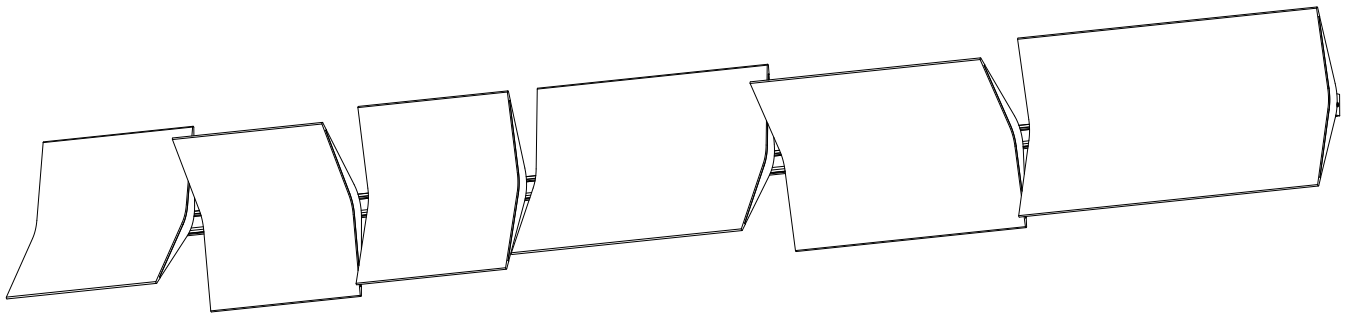


Fig. 5

Completed assembly

Make final adjustments to luminaire tilt.



Note:
**This fixture is dimmable with ELV (Trailing-Edge),
Incandescent (Leading-Edge), and 0-10V type
dimmers only.**

Care Instructions:
Use a clean, dry cloth when dusting.
To protect the finish, avoid any
harsh abrasives or chemicals.