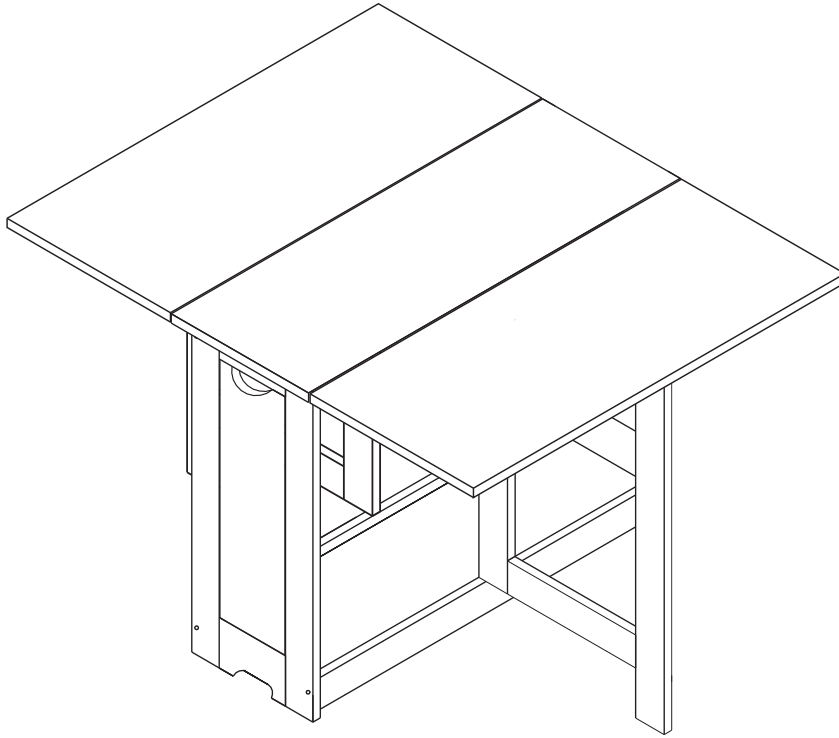
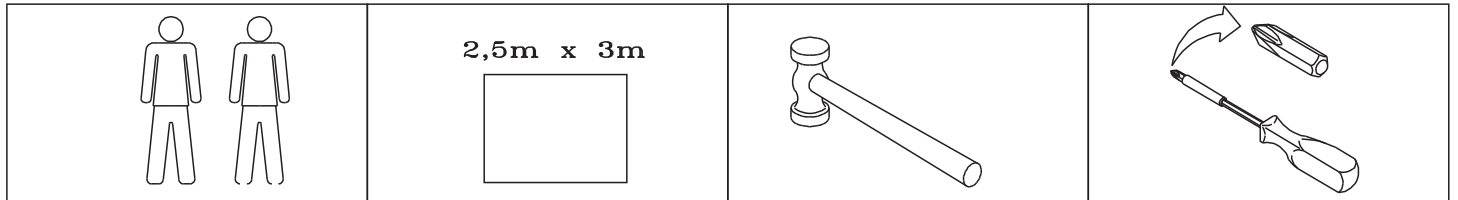
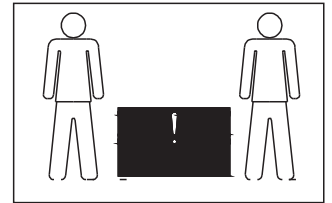
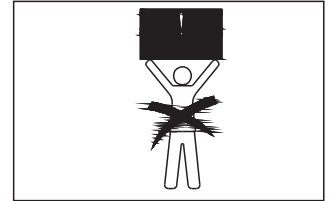
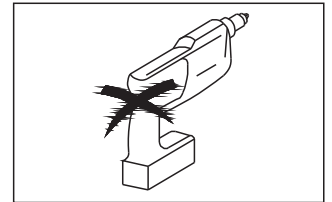
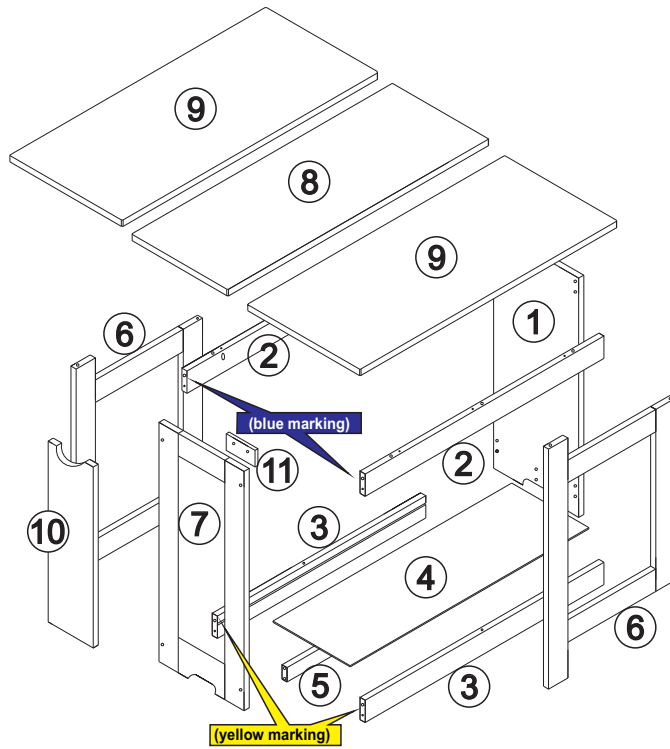


ASSEMBLY INSTRUCTIONS



IMPORTANT
FOR DOMESTIC USE ONLY
PLEASE READ BEFORE YOU CONTINUE FURTHER
CARE AND MAINTENANCE

- After unpacking this product please keep the original packaging incase it needs to be returned for any reason.
- Please ensure all fittings and parts are present before commencing with assembly.
- We recommend that you lay a blanket or sheet on the floor to avoid damage to both your floor and the product.
- We strongly recommend that you keep children away from your work area.
- Assemble this product as close to its final position as possible.
- Never drag or push products as this could cause damage to the joints making it inferior.
- Do not drag or push items across your furniture as this may cause the surface to scratch.
- Do not place this product next to a radiator or in direct sunlight.
- Wood is a natural product and may expand if subjected to damp and may shrink or crack if subjected to heat. Therefore it is recommended that room temperature is maintained, with no sudden temperature fluctuations.
- Make sure any spillage is wiped off immediately.
- Do not place hot or chilled items directly on to the surface, use a place mat or marking will occur.
- For general cleaning use a soft cotton or microfibre cloth, and do not use detergents of any kind.
- Do not place on a wet or damp floor as staining may occur to your floor.
- From time to time it maybe necessary to tighten fittings, regular inspections should be carried out.



* Use of power tools to assemble this product will invalidate any claim and could damage this product making it unsafe!!!
* Please assemble on a clean soft surface to avoid damage.

* Please check contents and read the instructions before commencing assembly.
* Assemble this product following the enclosed instructions carefully.
* Please take care to avoid damaging parts during assembly.

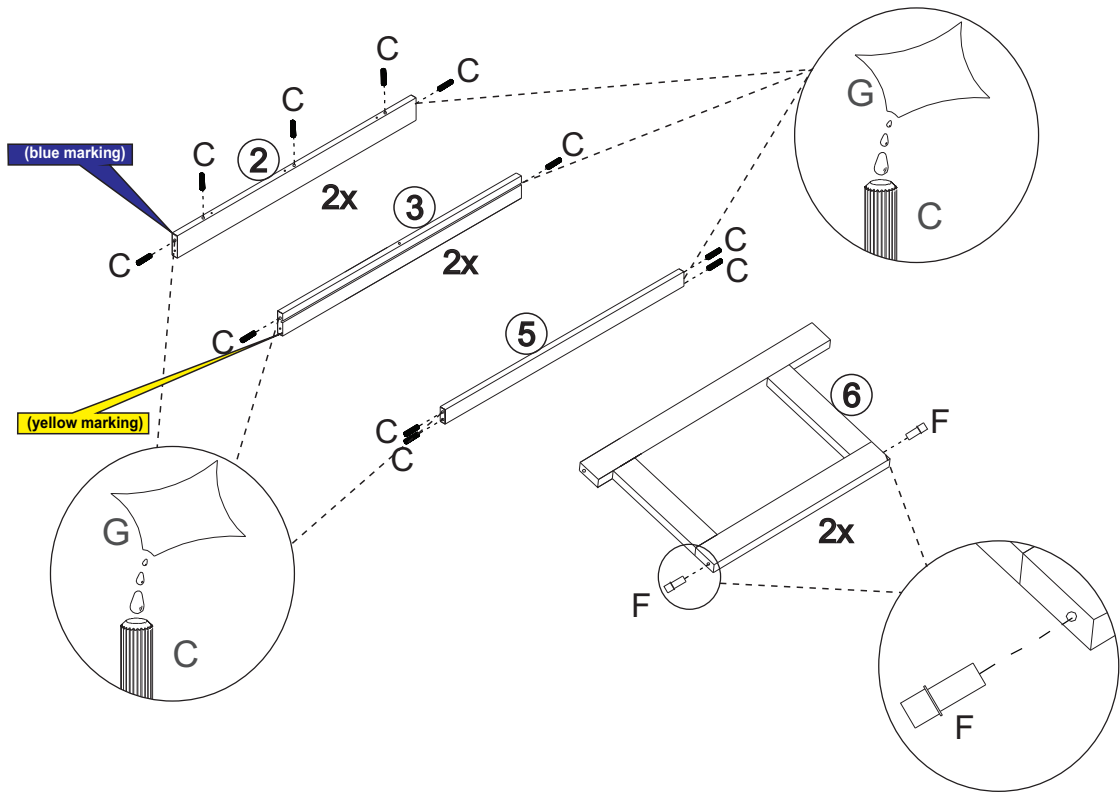
PARTS LIST


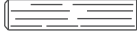

part number	name of part	quantity
1	Back Panel	1
2	Upper Frame (blue marking)	2
3	Lower Crossbeam (yellow marking)	2
4	Base	1
5	Base Support	1
6	Top Support	2
7	Front Frame	1
8	Centre Top Panel	1
9	Side Top Panel	2
10	Door	1
11	Door Stop	1

FITTINGS

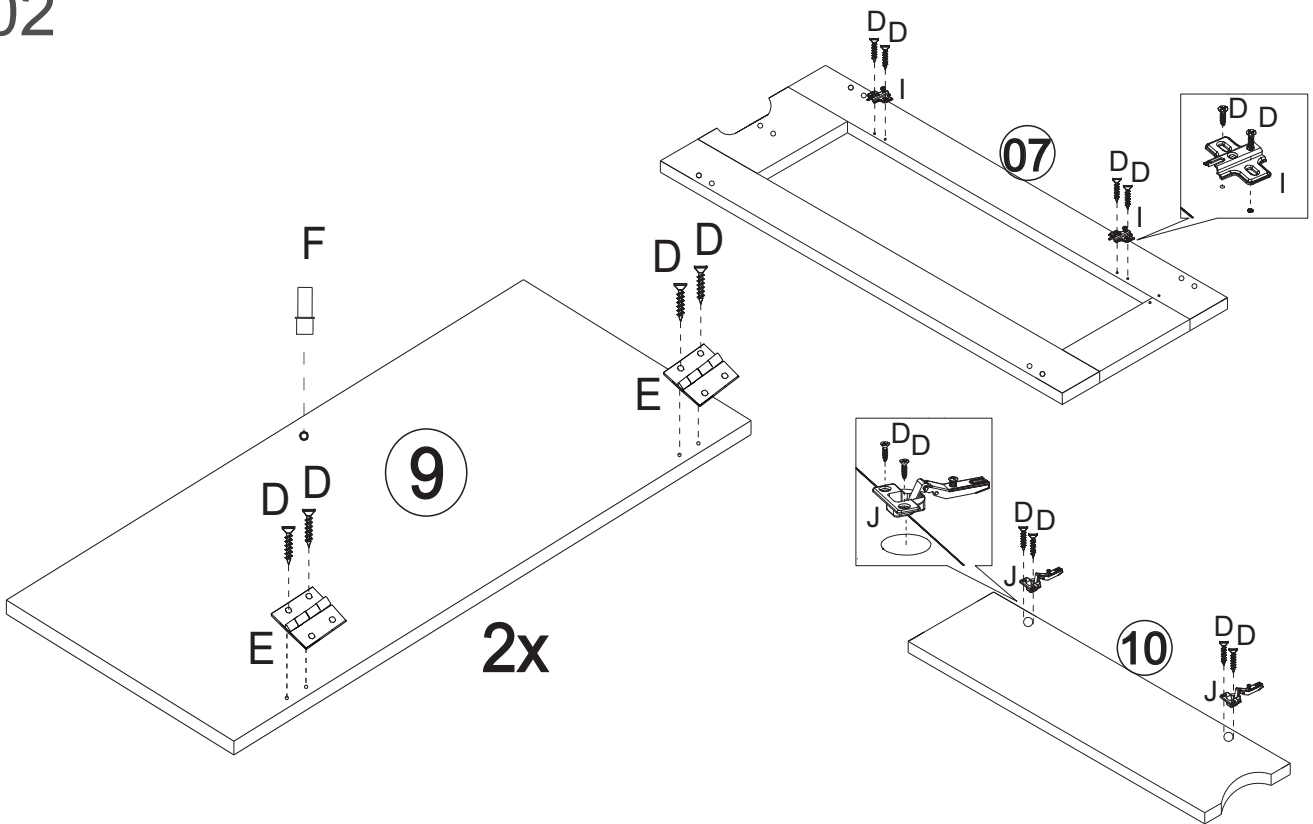
A	$\varnothing 7.0 \times 50$	08	G	GLUE	01
B	$\varnothing 3,5 \times 35CP$	06	H		01
C	$\varnothing 8 \times 30$	18	I		02
D	$\varnothing 3,5 \times 14$	26	J		02
E		04	K		06
F		06	L	$\varnothing 10 \times 10$	06






01



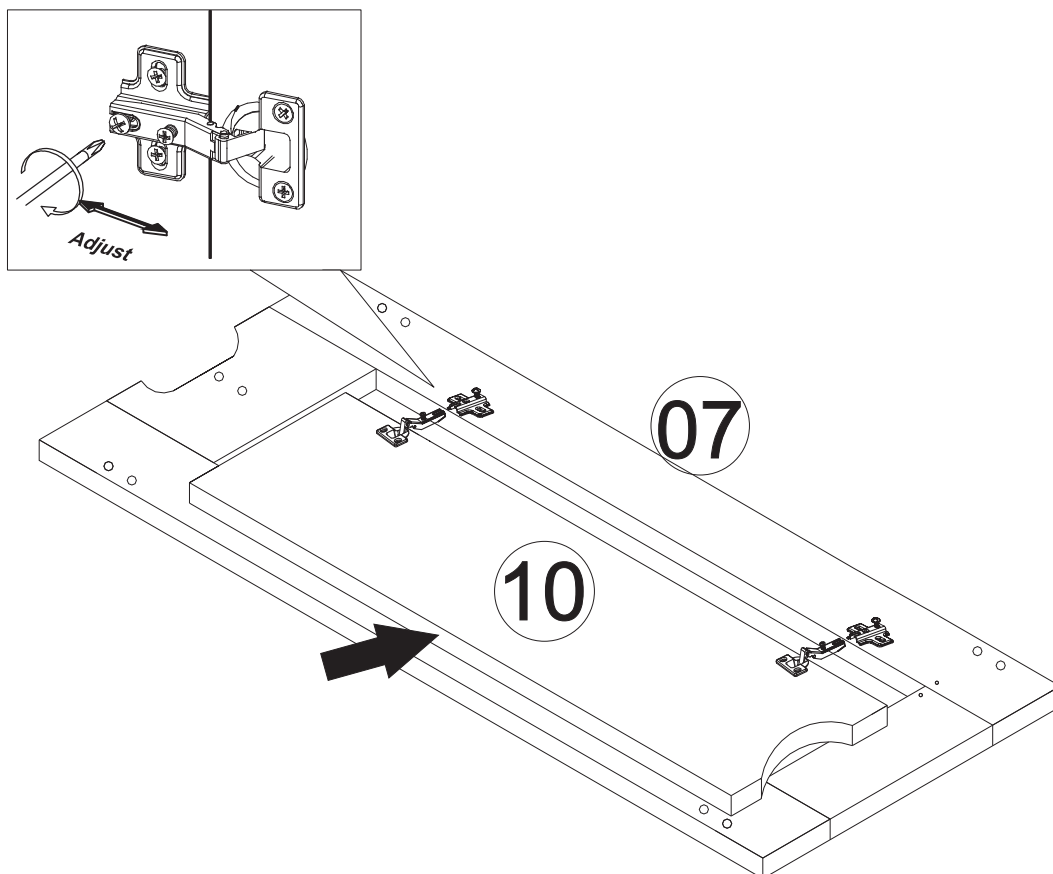
G		GLUE	01	C		Ø08x30	18	F		04
---	--	------	----	---	--	--------	----	---	--	----

02

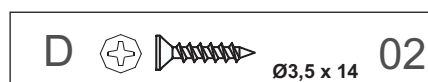
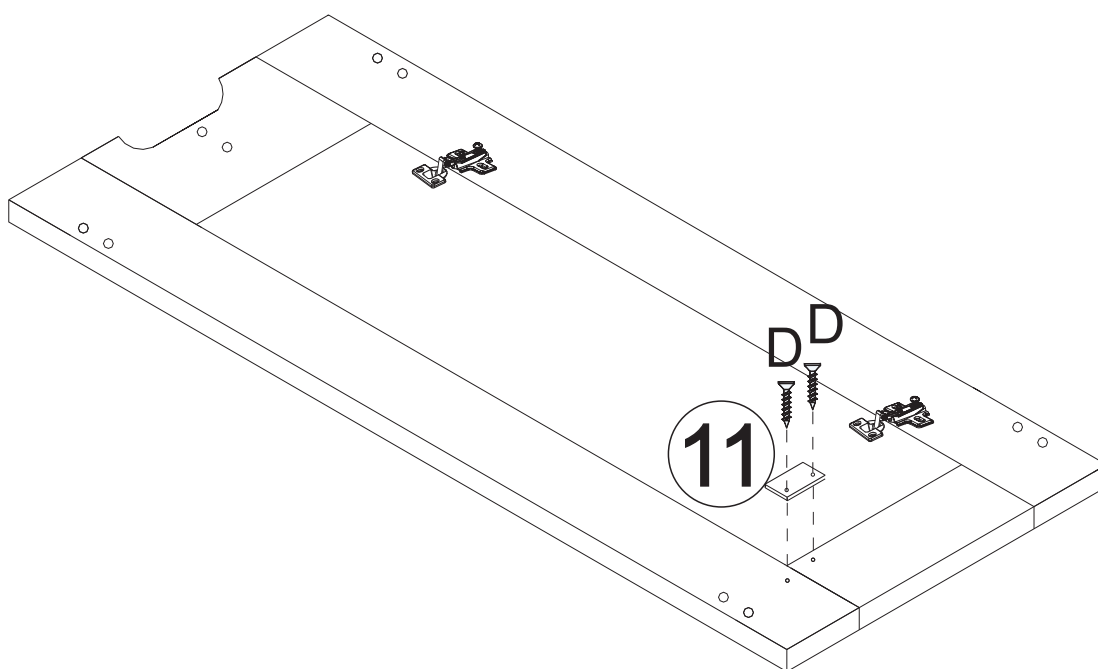


E		04	F		02
J		02	I		02
D		Ø3,5 x 14	16		

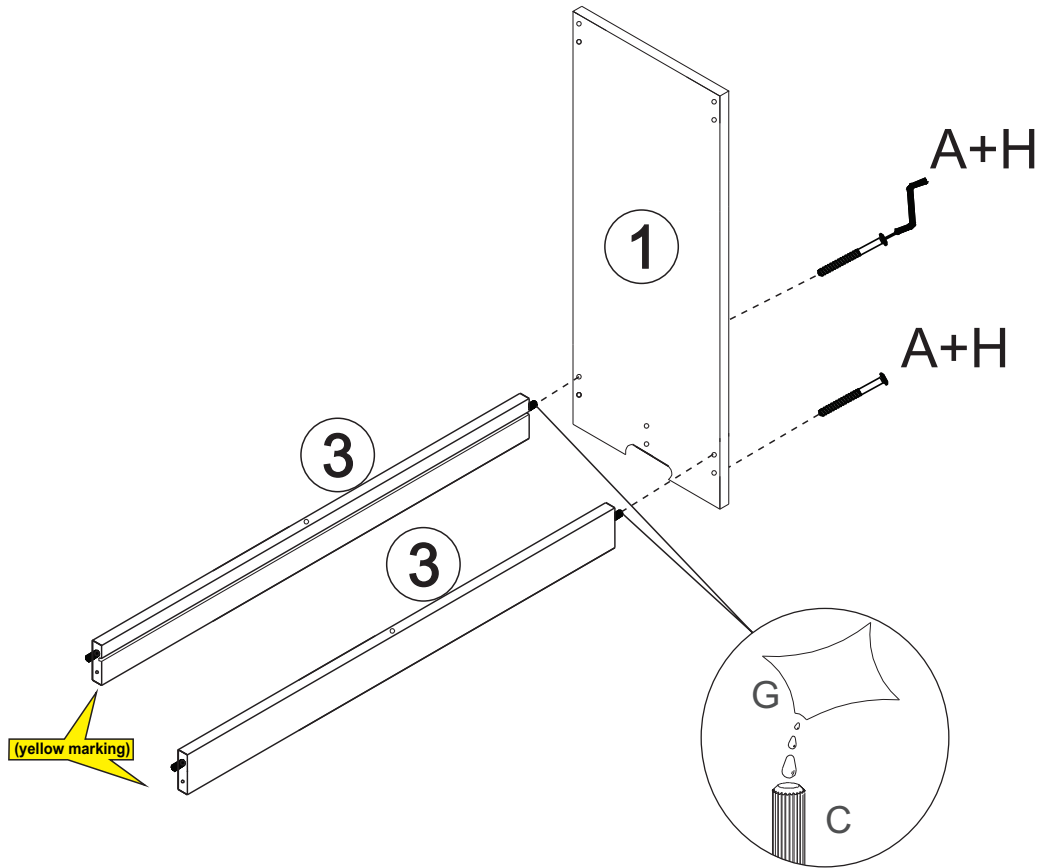
03


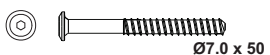



04



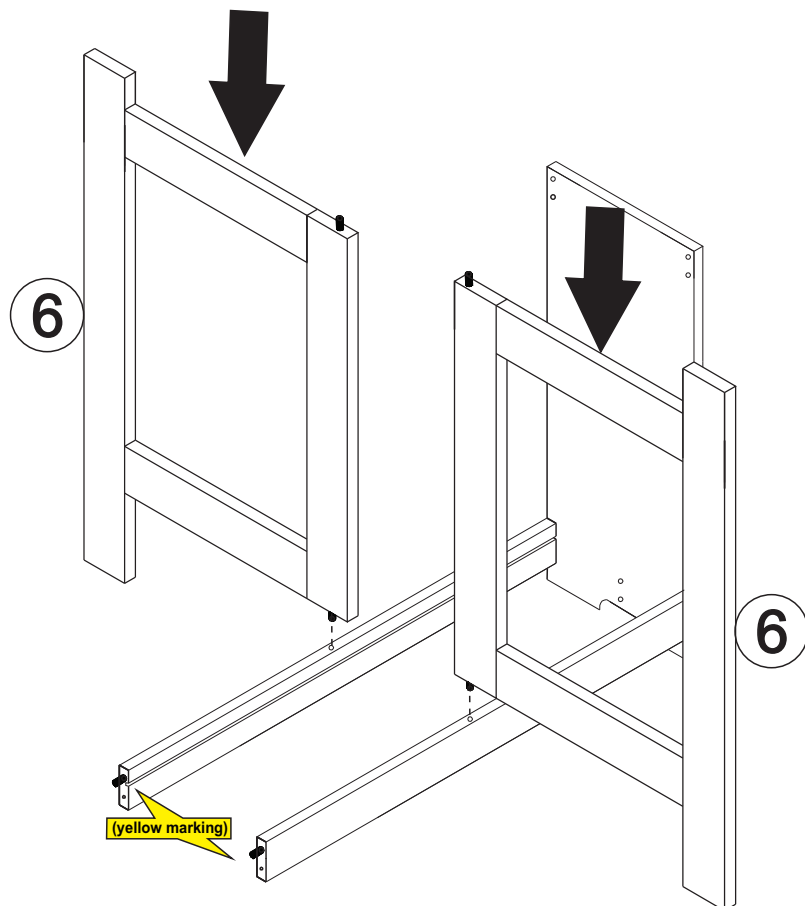
05



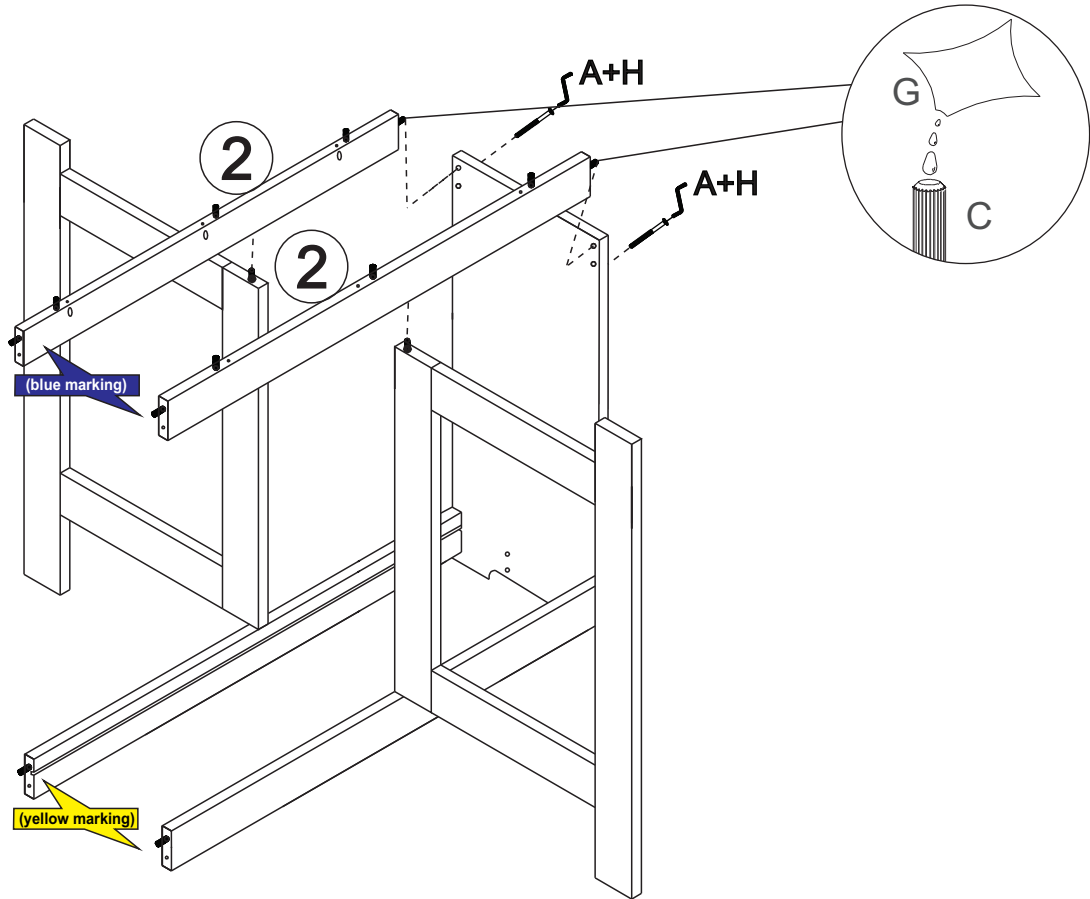
H		01	A		02	G		GLUE	01
---	---	----	---	---	----	---	---	------	----

Ø7.0 x 50

06

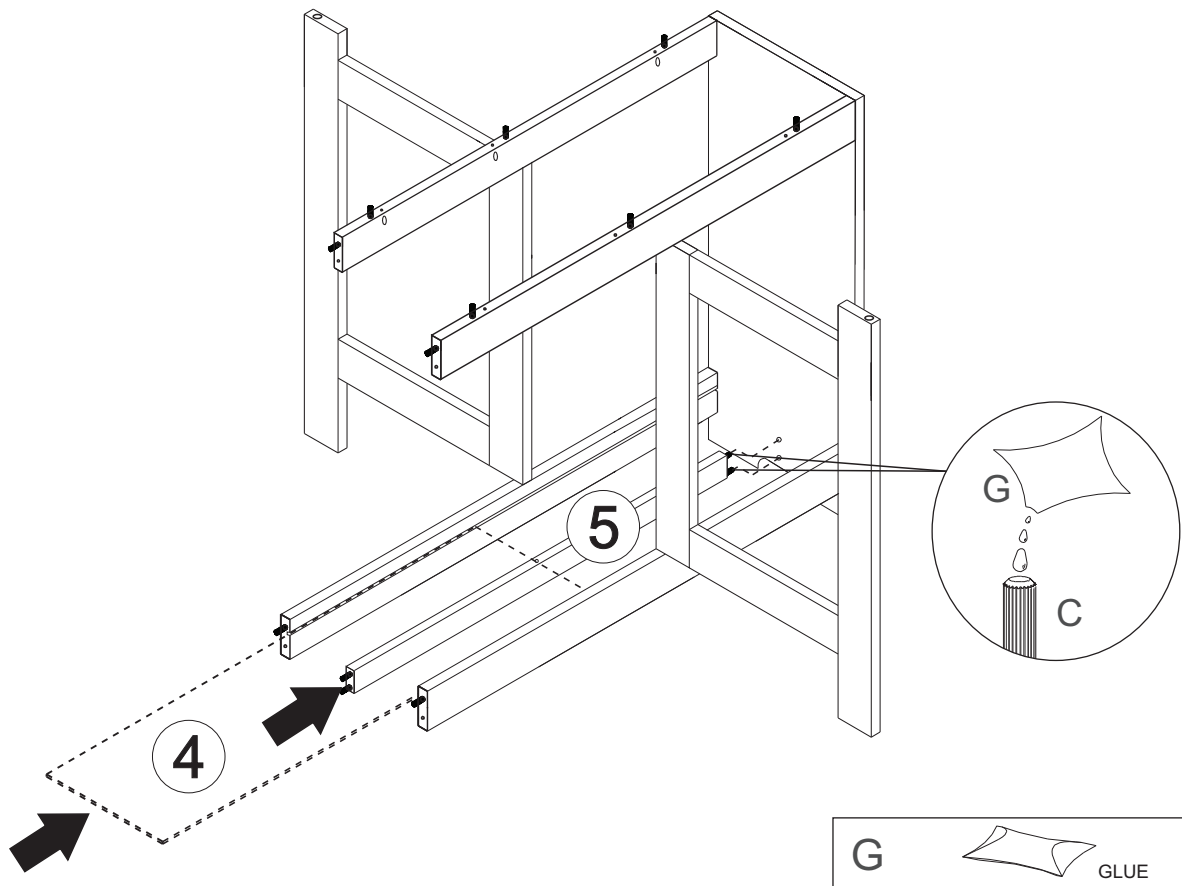


07

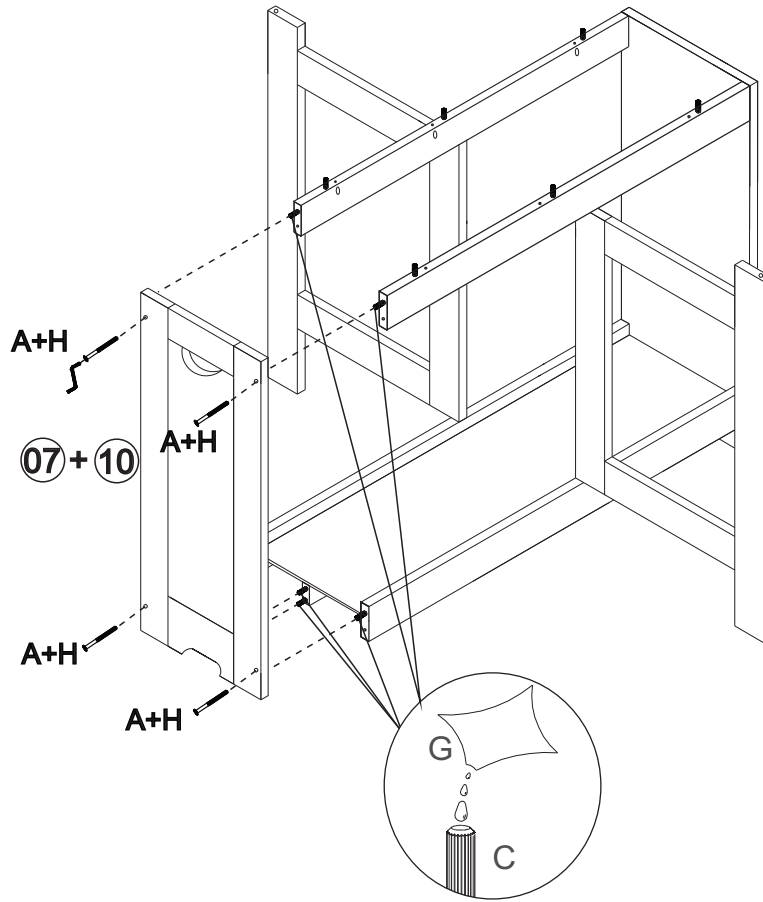



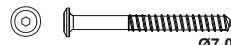

H		01	A		02	G		GLUE	01
---	--	----	---	--	----	---	--	------	----

08

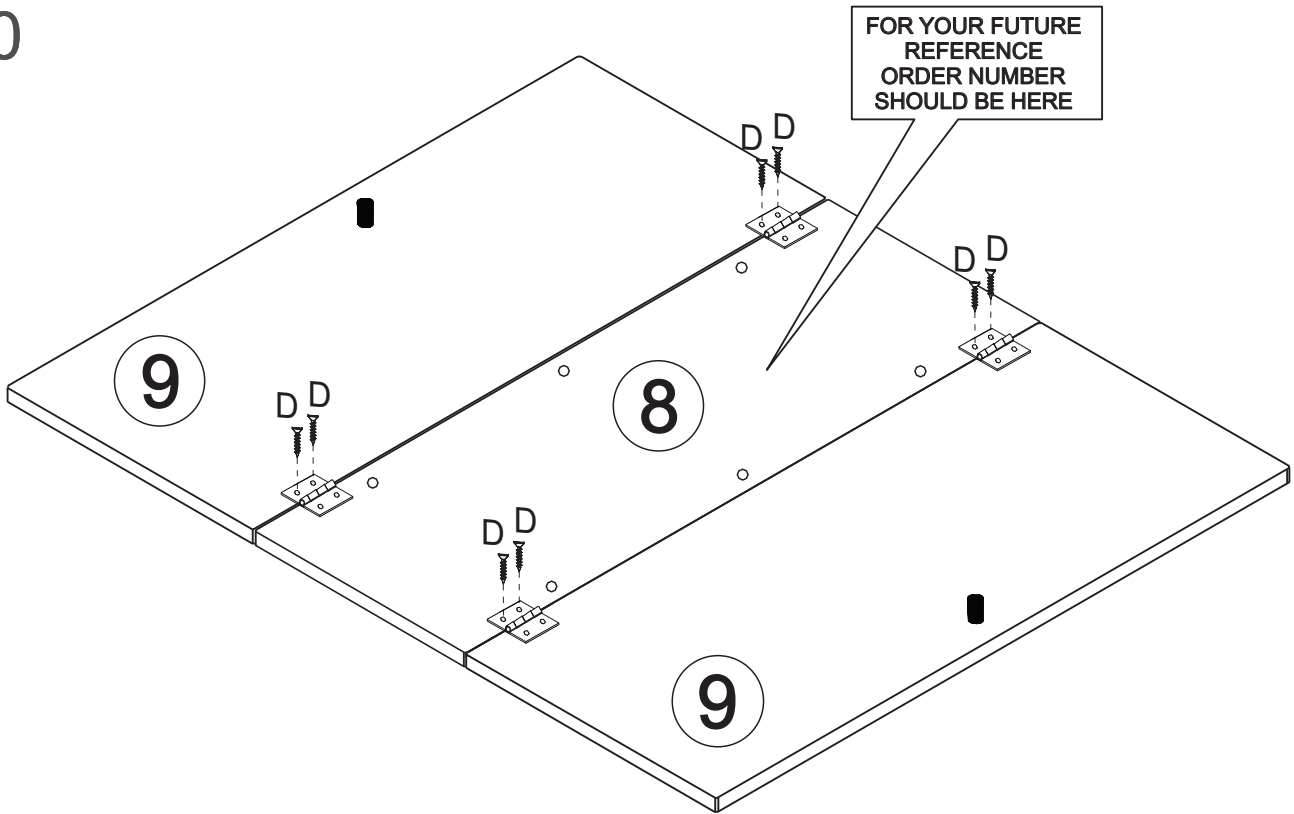



09



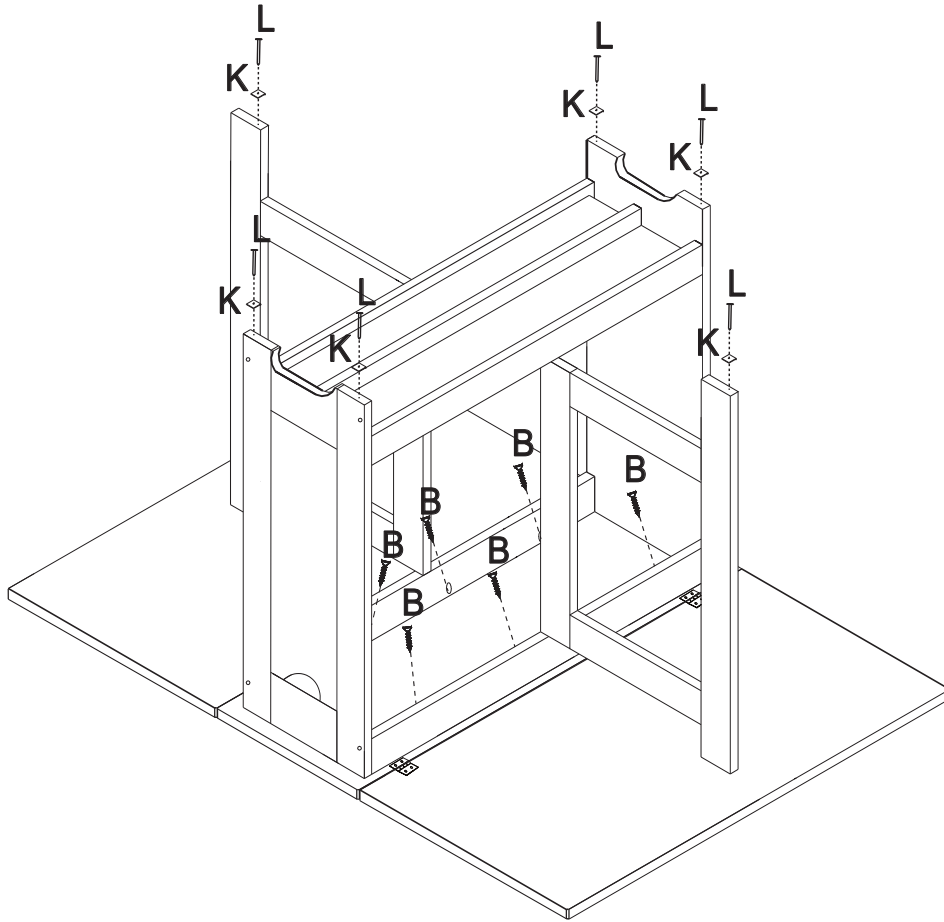
<p>H  01</p>	<p>A  04 Ø7.0 x 50</p>	<p>G  GLUE 01</p>
---	---	--




10



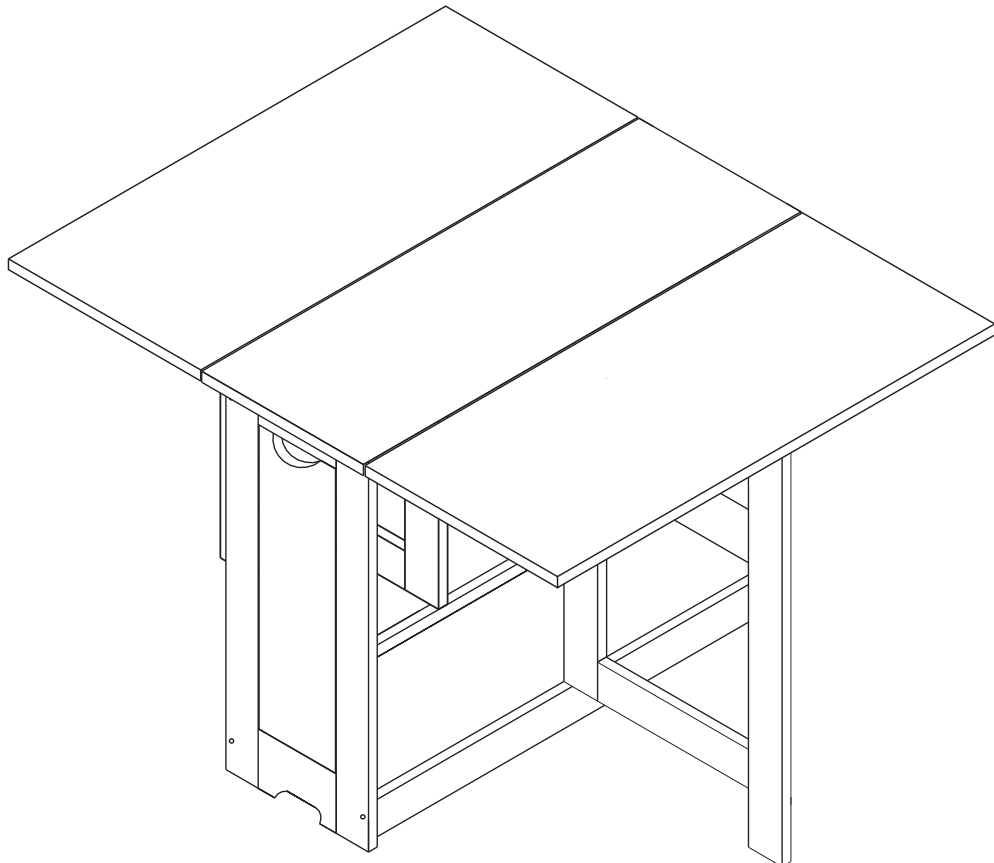
<p>D  08 Ø3,5 x 14</p>

11

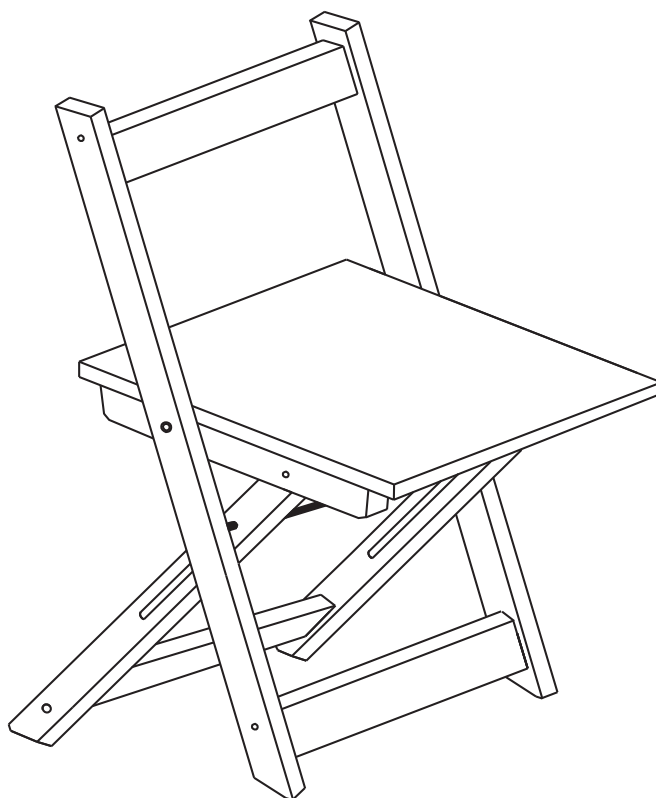


L		Ø10 x 10	06	K		06	B		Ø3,5 x 35CP	06
---	---	----------	----	---	---	----	---	---	-------------	----

12

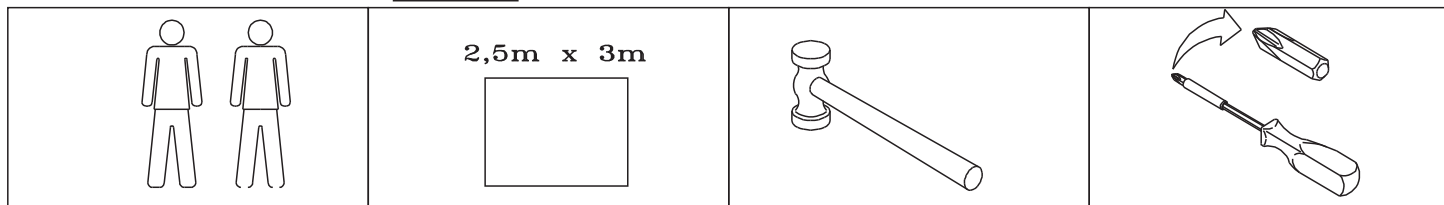
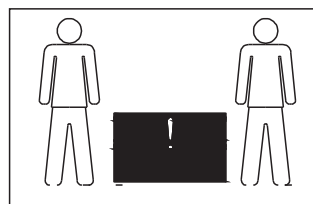
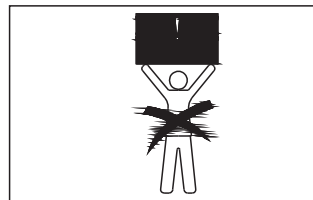
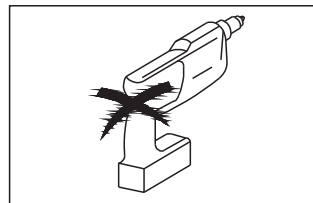
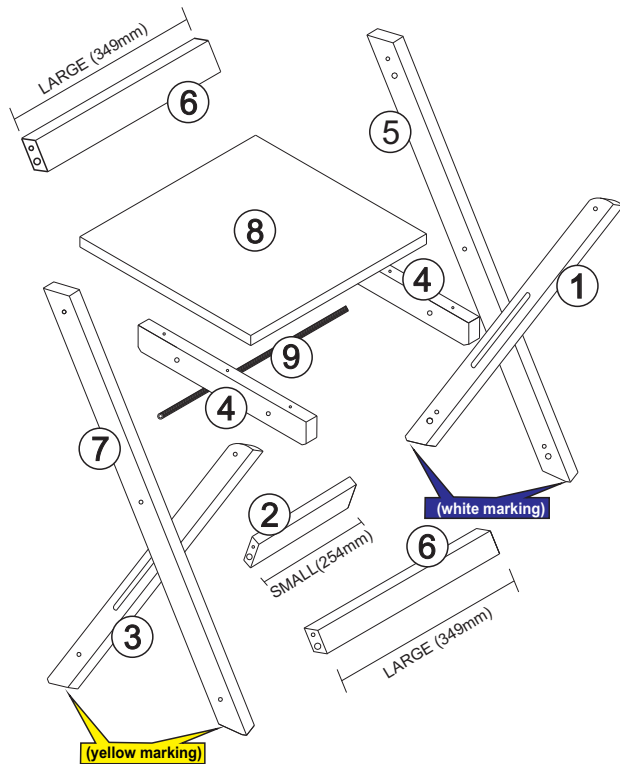


ASSEMBLY INSTRUCTIONS



IMPORTANT FOR DOMESTIC USE ONLY PLEASE READ BEFORE YOU CONTINUE FURTHER CARE AND MAINTENANCE

- After unpacking this product please keep the original packaging in case it needs to be returned for any reason.
- Please ensure all fittings and parts are present before commencing with assembly.
- We recommend that you lay a blanket or sheet on the floor to avoid damage to both your floor and the product.
- We strongly recommend that you keep children away from your work area.
- Assemble this product as close to its final position as possible.
- Never drag or push products as this could cause damage to the joints making it inferior.
- Do not drag or push items across your furniture as this may cause the surface to scratch.
- Do not place this product next to a radiator or in direct sunlight.
- Wood is a natural product and may expand if subjected to damp and may shrink or crack if subjected to heat. Therefore it is recommended that room temperature is maintained, with no sudden temperature fluctuations.
- Make sure any spillage is wiped off immediately.
- Do not place hot or chilled items directly onto the surface, use a place mat or marking will occur.
- For general cleaning use a soft cotton or microfibre cloth, and do not use detergents of any kind.
- Do not place on a wet or damp floor as staining may occur to your floor.
- From time to time it may be necessary to tighten fittings, regular inspections should be carried out.



Use of power tools to assemble this product will invalidate any claim and could damage this product making it unsafe!!! Please assemble on a clean soft surface to avoid damage.

Please check contents and read the instructions before commencing assembly. Assemble this product following the enclosed instructions carefully. Please take care to avoid damaging parts during assembly.

Please Note:
The below highlighted parts have been colour coded to help identify them during assembly.

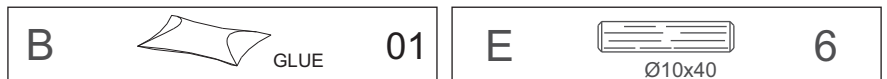
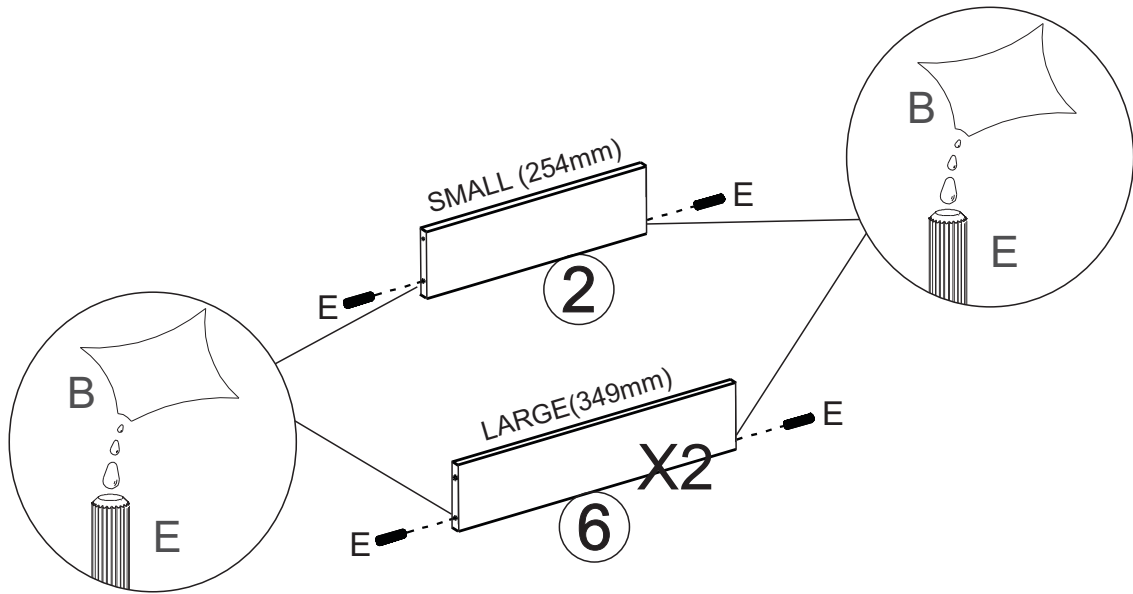
PARTS LIST(PER CHAIR)

part number	name of part	quantity
1	Small Right Chair side (white marking)	1
2	Small Down Crossbeam 254mm	1
3	Small Left Chair Side (yellow marking)	1
4	Seat Support	2
5	Large Right Chair Side (white marking)	1
6	Back/ Front Rail 349mm	2
7	Large Left Chair Side (yellow marking)	1
8	Chair Seat	1
9	Black Metal Support	1

FITTINGS

A		16	E		24
B		02	F		01
C		24	G		24
D		16			

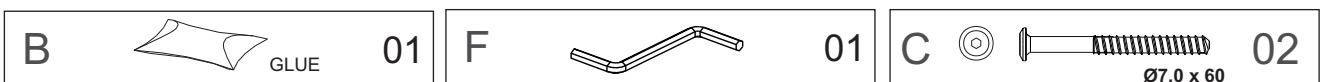
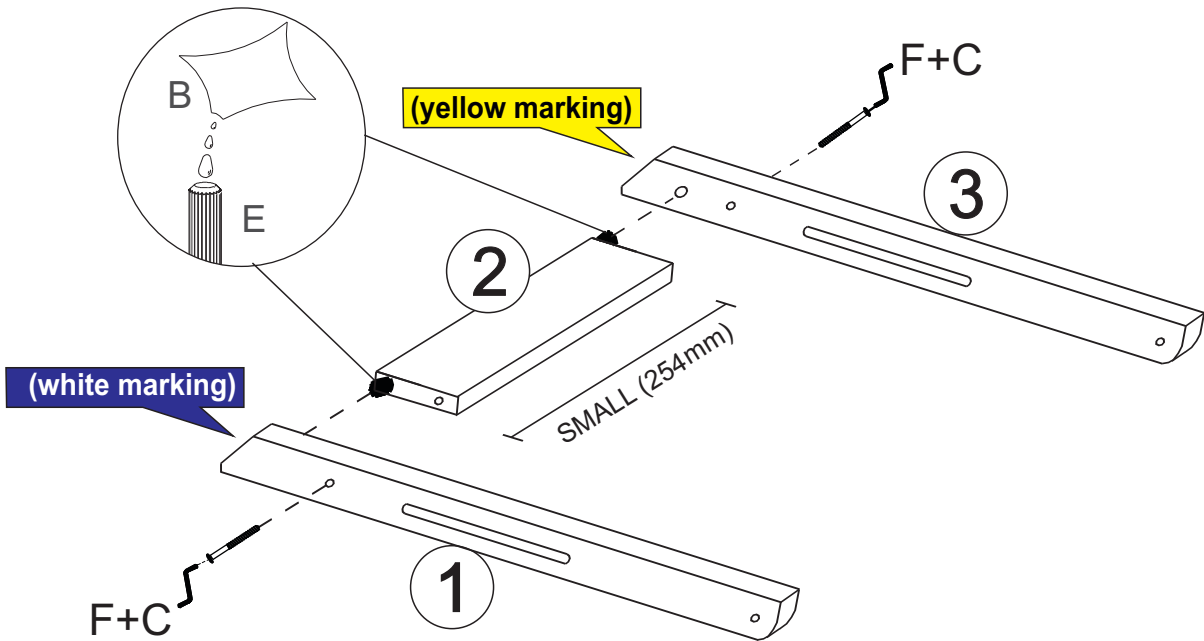
01



02

IMPORTANT

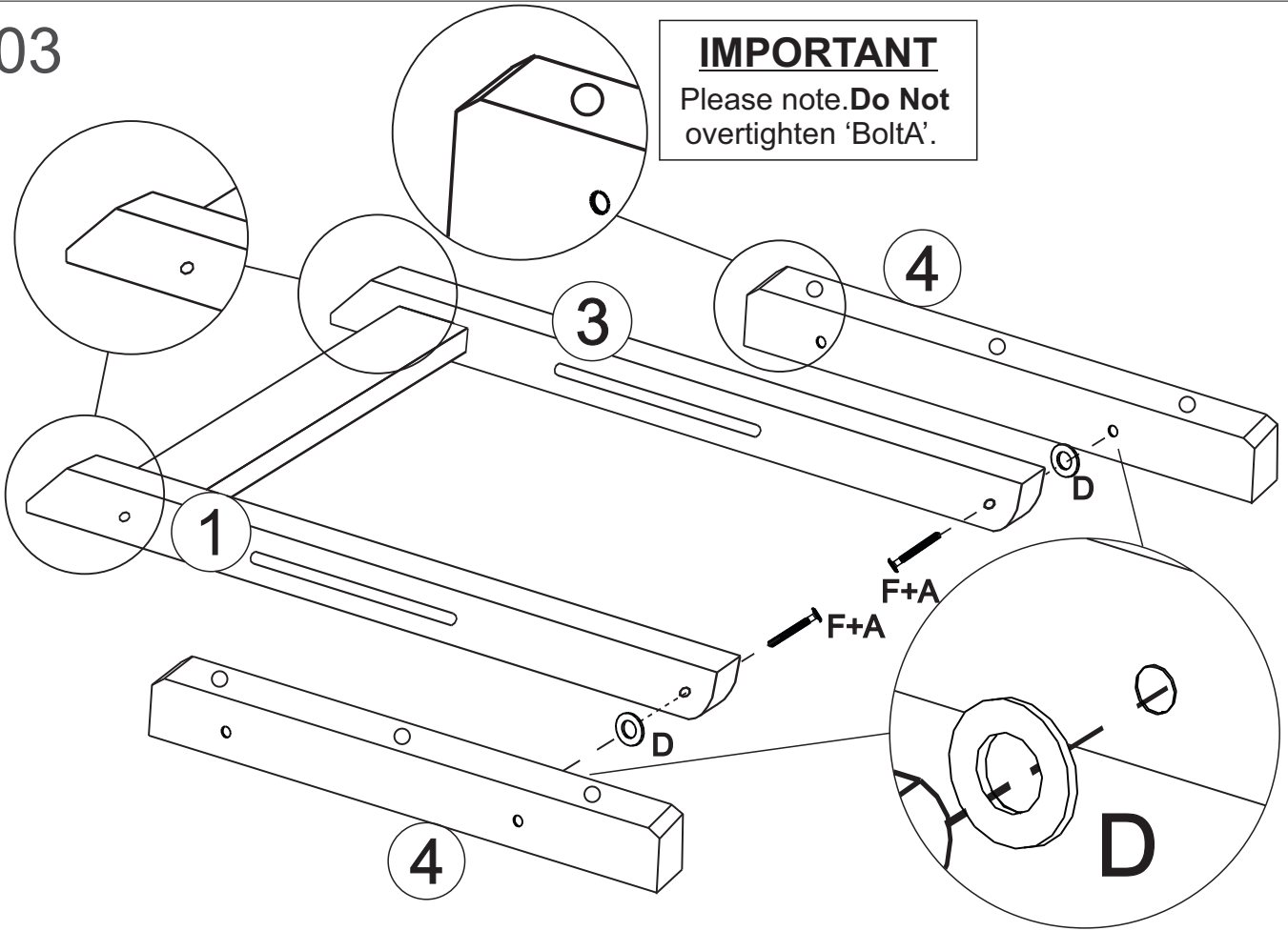
Please note. Do Not overtighten 'Bolt C'.



03

IMPORTANT

Please note. **Do Not** overtighten 'Bolt A'.

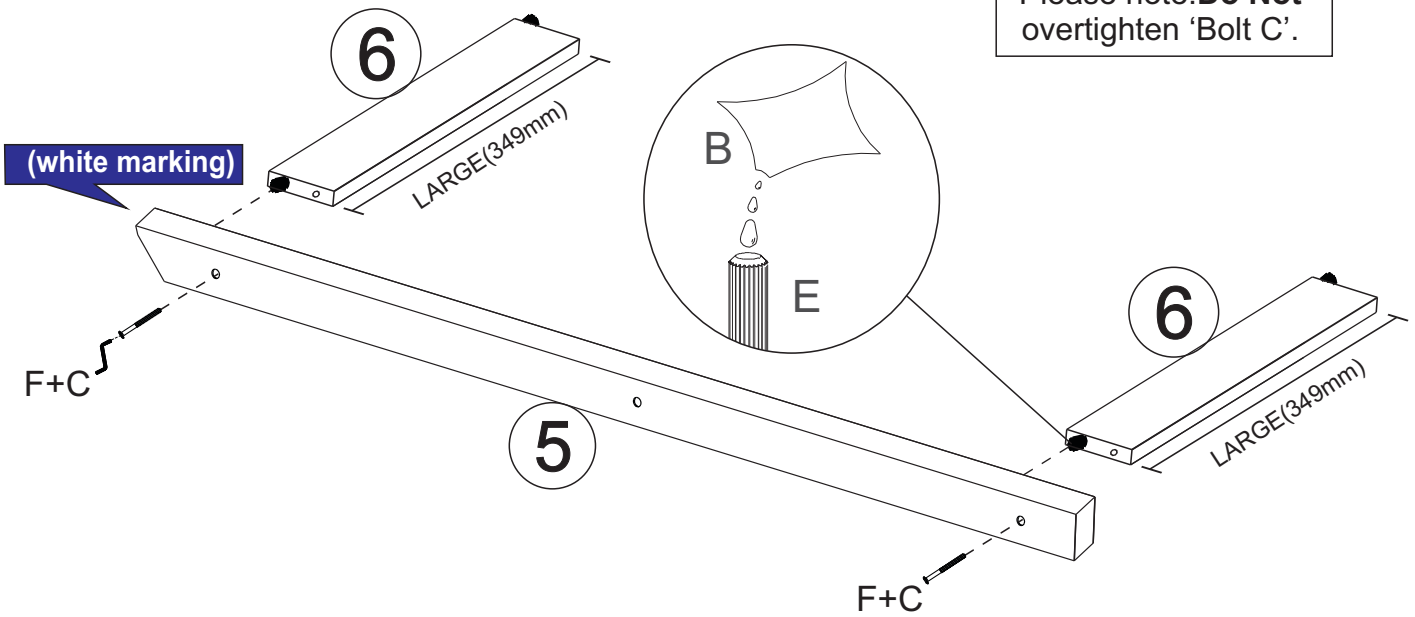


D		02	F		01	A		02
								Ø7.0 x 45

04

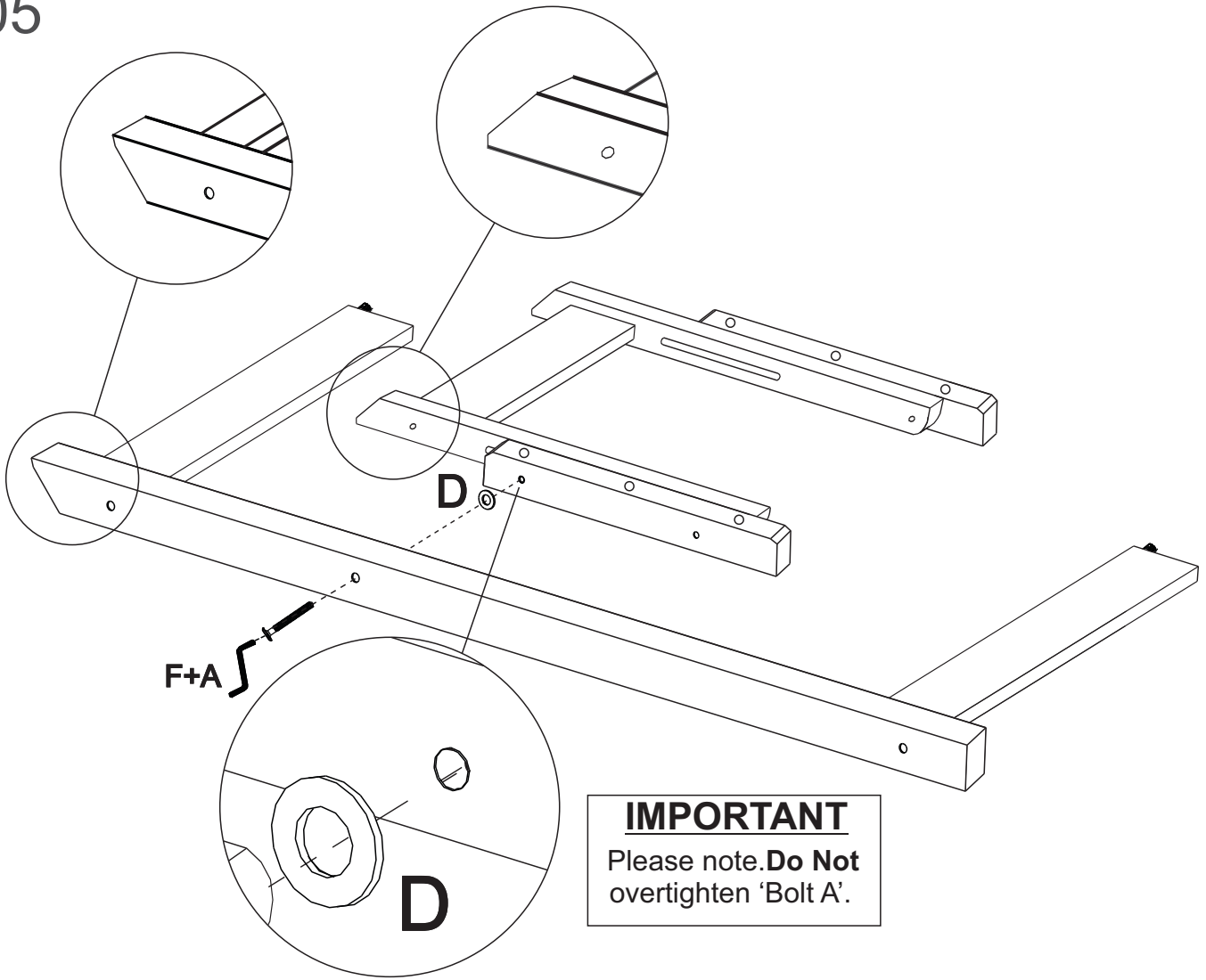
IMPORTANT

Please note. **Do Not** overtighten 'Bolt C'.



B		GLUE	01	F		01	C		02
								Ø7.0 x 60	

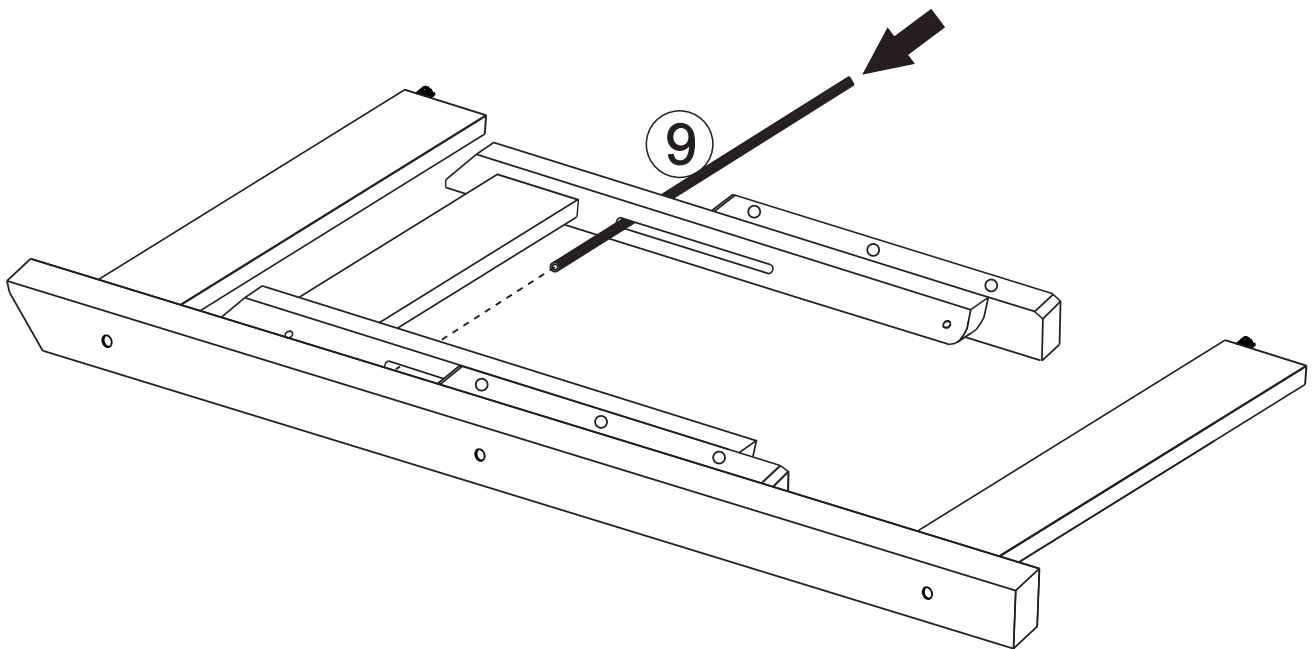
05



IMPORTANT
Please note. **Do Not**
overtighten 'Bolt A'.

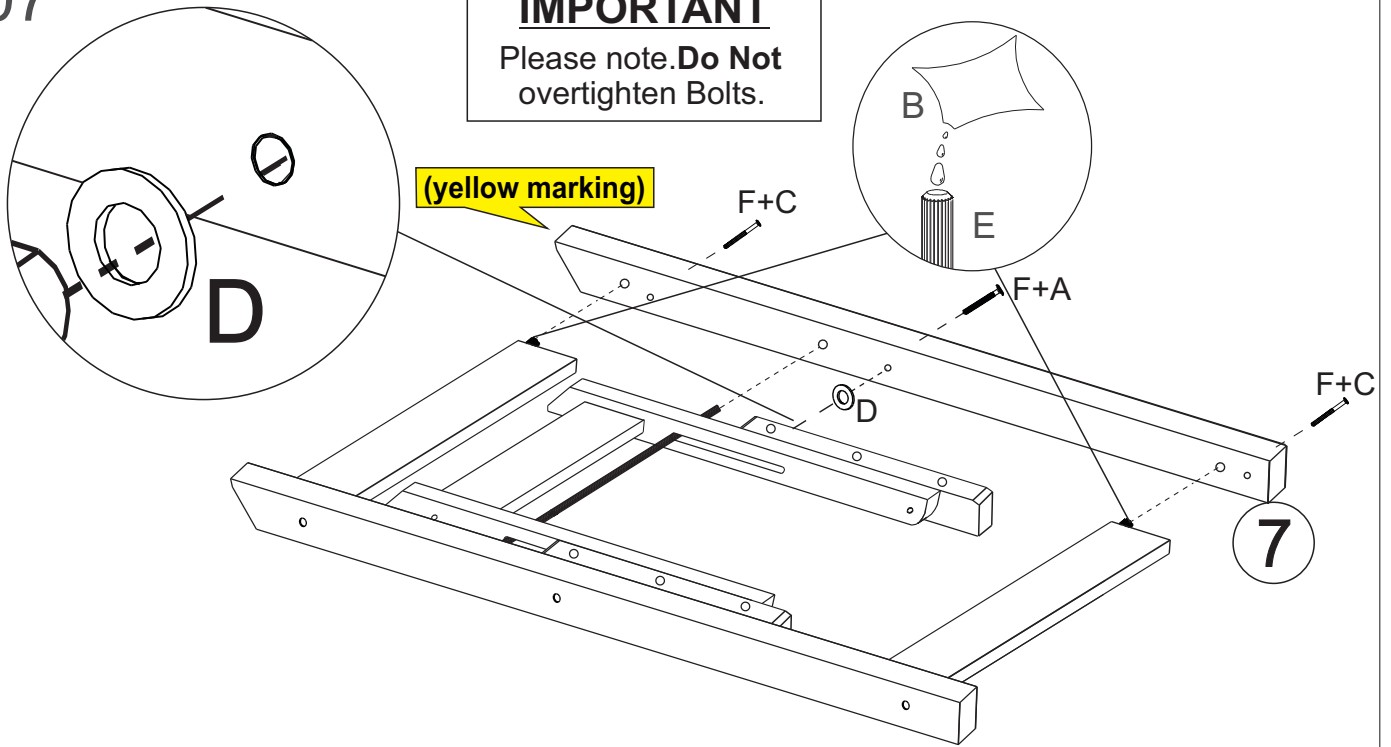
D		01	F		01	A			Ø7.0 x 45	01
---	--	----	---	--	----	---	--	--	-----------	----


06





07

IMPORTANT
Please note. **Do Not**
overtighten Bolts.

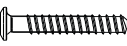


B		GLUE	01
---	---	------	----

C		$\text{Ø}7.0 \times 60$	02
---	---	-------------------------	----

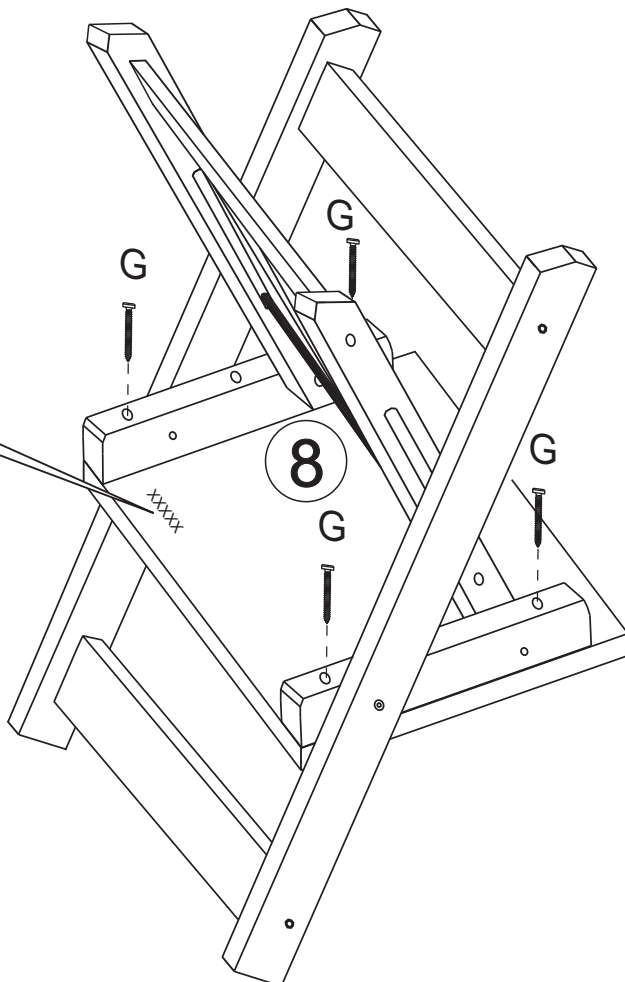
D		01
---	---	----


F		01
---	---	----

A		$\text{Ø}7.0 \times 45$	01
---	---	-------------------------	----

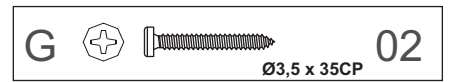
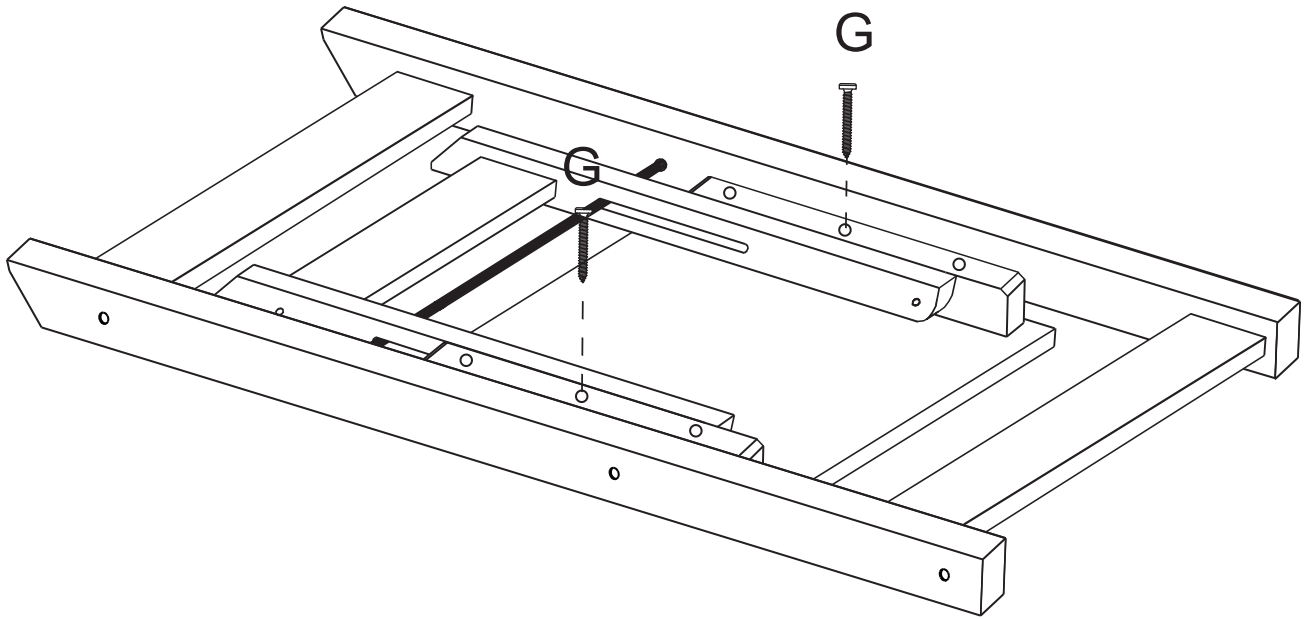
08

FOR YOUR FUTURE
REFERENCE
ORDER NUMBER
SHOULD BE HERE



G		$\text{Ø}3,5 \times 35\text{CP}$	04
---	---	----------------------------------	----

09



10

