

# ASSEMBLY INSTRUCTIONS


## ASSEMBLY TIPS :

1. Remove hardware from box and sort by size.
2. Please check to see that all hardware and parts are present prior to start of assembly.
3. Please follow attached instructions in the same sequence as numbered to assure fast and easy assembly.

### Component List

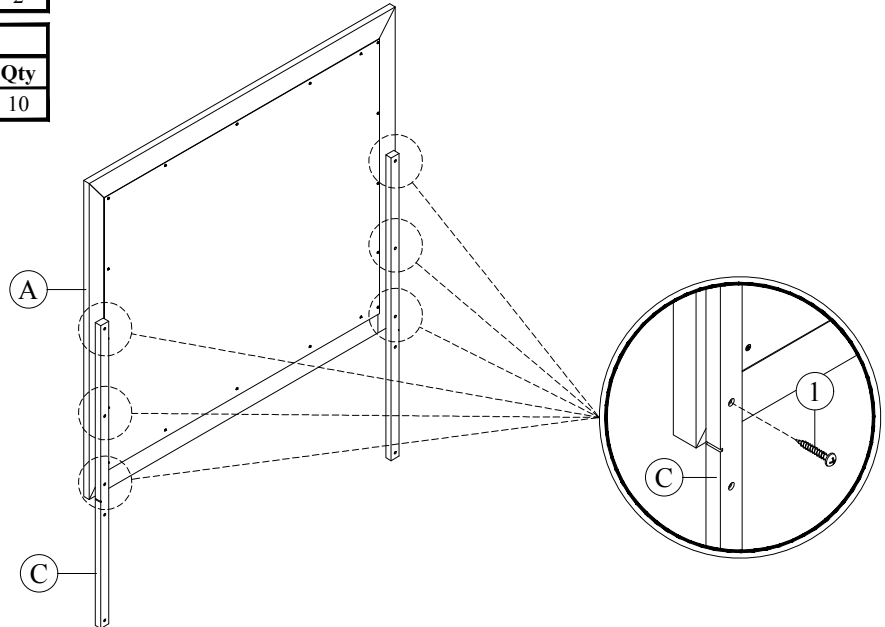
No	Descriptions	Qty
A	Mirror	1
B	Dresser	1
C	Mirror Support	2

### Hardware List

No	Descriptions	Qty
1	PHCB Screw M4 x 32mm 	10

## STEP 1

Attach mirror support to the mirror back, then tighten with screw. Make sure the marking line on mirror support is at the same level as the bottom of mirror.



## STEP 2

Place the mirror with support on the top of dresser. Then align center as shown and tighten with screw.

