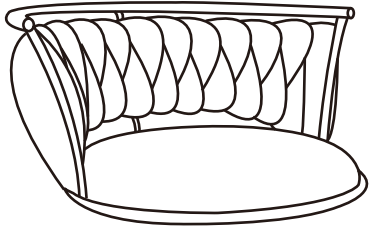
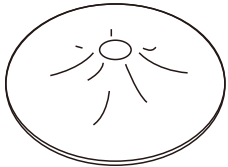


# ASSEMBLY INSTRUCTION

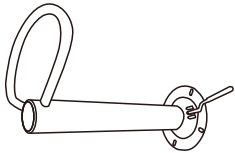
Ax1



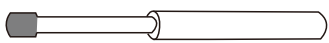
Bx1



Cx1



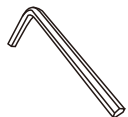
Dx1



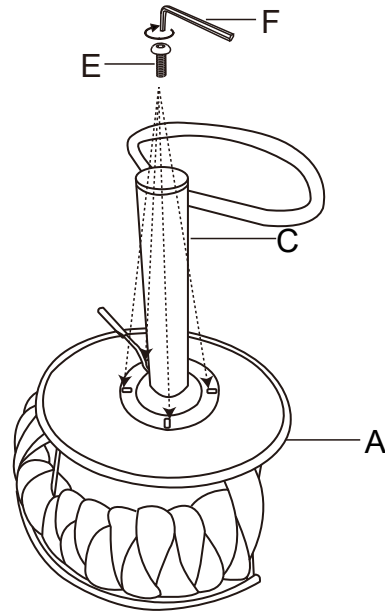
Ex4



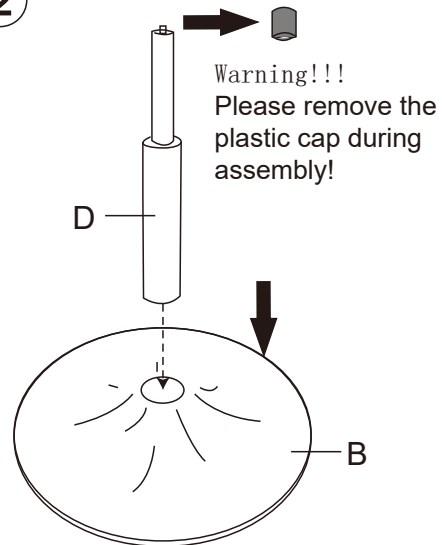
Fx1



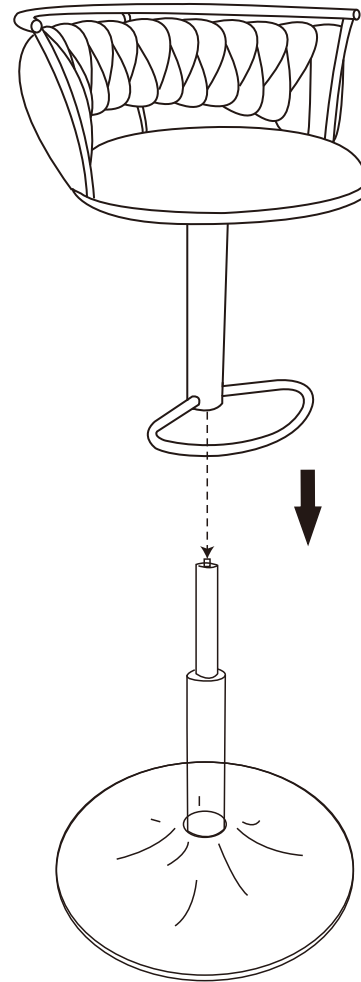
1



2



3



4

