
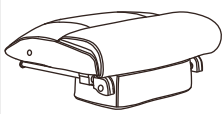
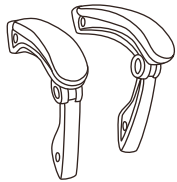
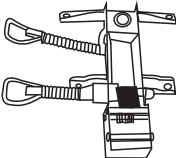

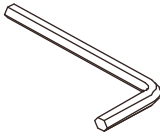
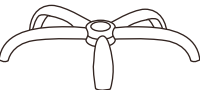


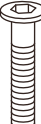


# ASSEMBLING INSTRUCTION

Ax1 	Bx1 	Cx1 	Dx1 	Ex1 	Fx1 
Gx1 	Hx5 	Ix4 	Jx4 	Kx4 