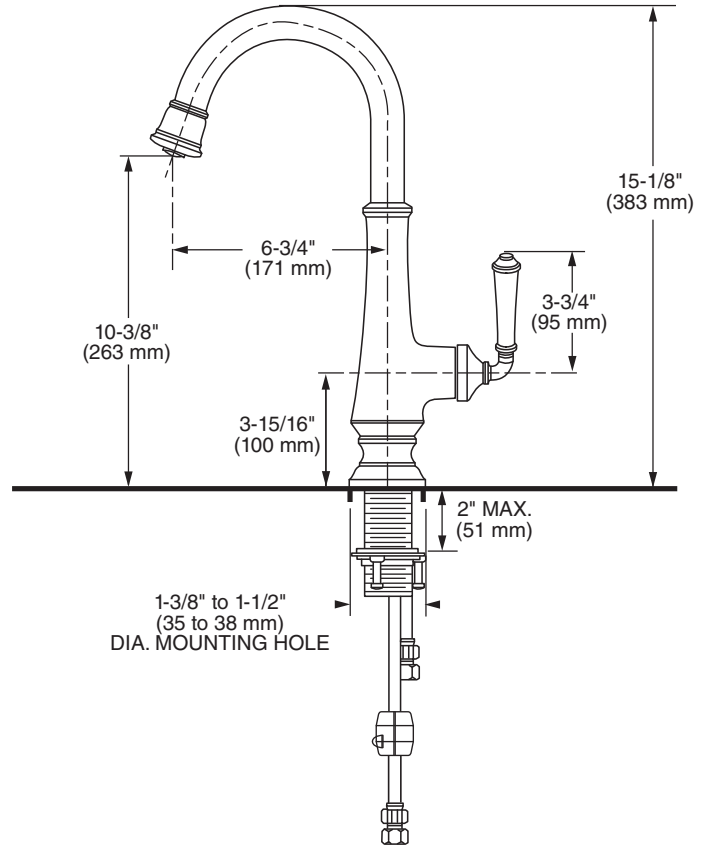


**MODEL NUMBER:**

□ **4279.410 Pull-Down Faucet**



**GENERAL DESCRIPTION:**

Metal body and handle with brass swivel spout and pull-down spray. Nylon braided pull out hose complete with two integral check valves. Washerless 35 mm ceramic disc valve cartridge. 28-3/4" long braided flexible supply hoses with 3/8" compression connections. Mounting shank with brass fixation ring. 1.5 gpm/5.7 L/min. maximum flow rate. Fitting can be mounted with or without metal escutcheon plate, if needed.

**PRODUCT FEATURES:**

- Ceramic Disc Valve Cartridge:** Assures a lifetime of smooth handle operation and drip-free performance.
- Metal Construction:** Quality materials for durability & long life.
- Lead Free:** Faucet contains ≤ 0.25% total lead content by weighted average.
- Pull-down Spray:** Adjustable spray pattern-stream to spray and pause feature.
- Integral Check Valves:** Prevents back flow.

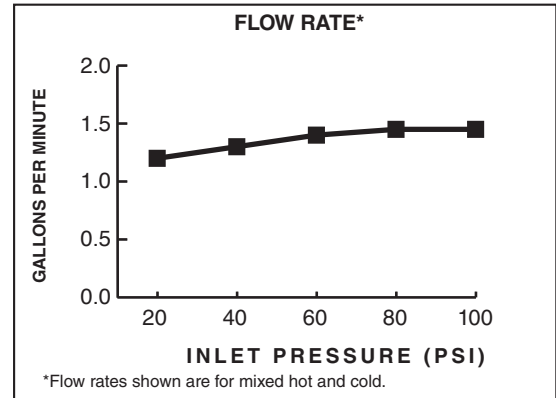
**SUGGESTED SPECIFICATION**

Single control kitchen faucet shall feature a metal body with brass pull-down spray. Shall also feature washerless ceramic disc valve cartridge, flexible braided supply hoses and two integral check valves. Fitting shall be American Standard Model # 4279.410.\_\_\_\_.

**CODES AND STANDARDS**

These products meet or exceed the following codes and standards:

- ANSI A117.1**
- ASME A112.18.1**
- CSA B125.1**
- NSF 61/Section 9**
- NSF 372**



**1.5 gpm/5.7 L/min. FLOW RATE**

Product Number	Description	Finish Options			
		Polished Chrome	PVD Polished Nickel	PVD Stainless Steel	Legacy Bronze
		002	013	075	278
4279.410	Pull-Down Kitchen Faucet				

 Meets the American Disabilities Act Guidelines and **ANSI A117.1** Requirements for the physically challenged.