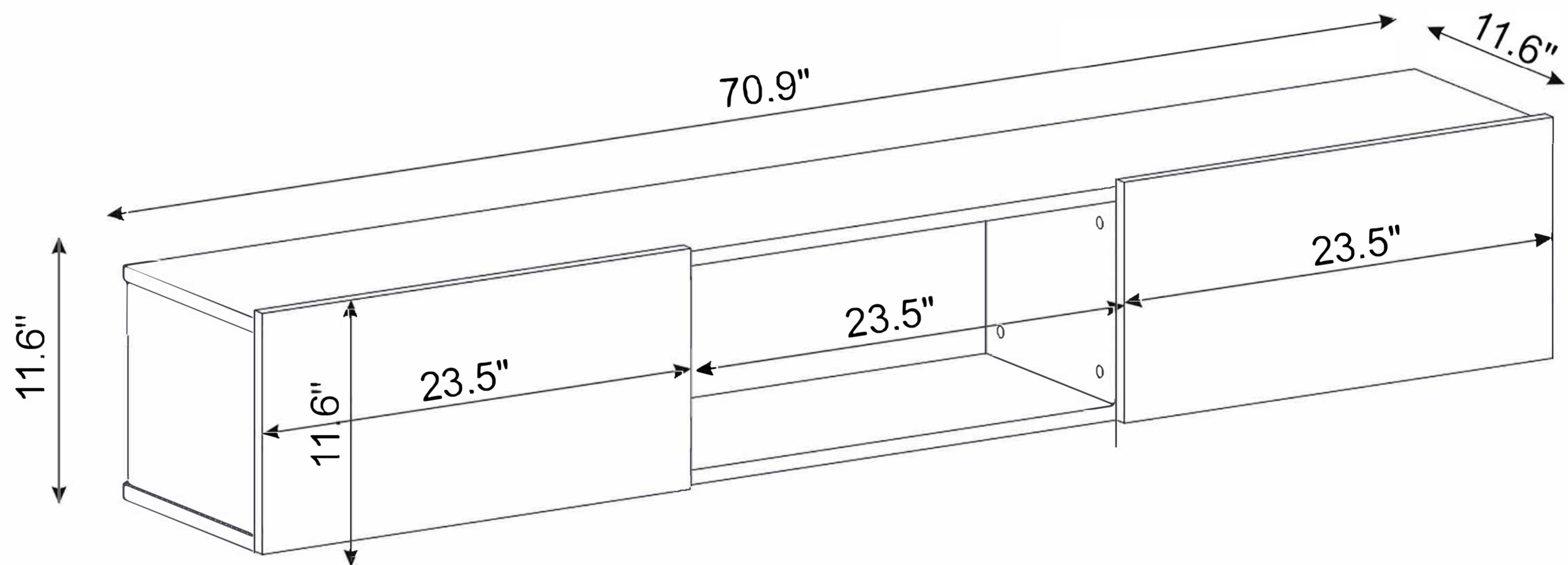


# Product Measurement Information



Measurements in (inch)