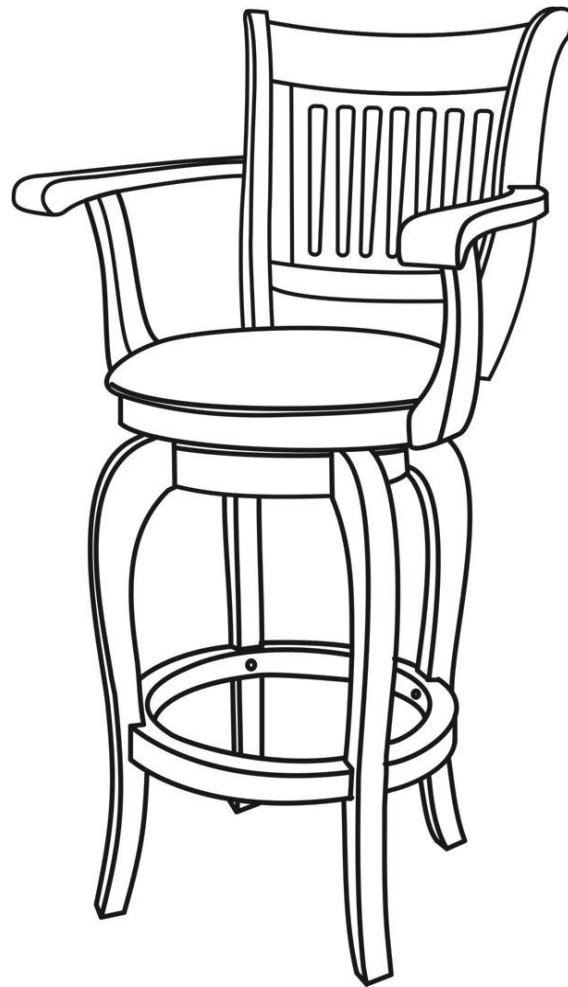




# Assembly Instructions

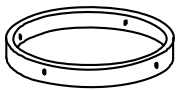
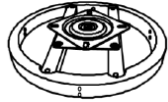


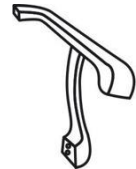
Caution : You must read this before you proceed

## Bar Stool/Counter Stool









## Parts List

Label	Picture	Description	QTY
A		Backrest	1 Pc
B		Wood Leg	4 Pcs

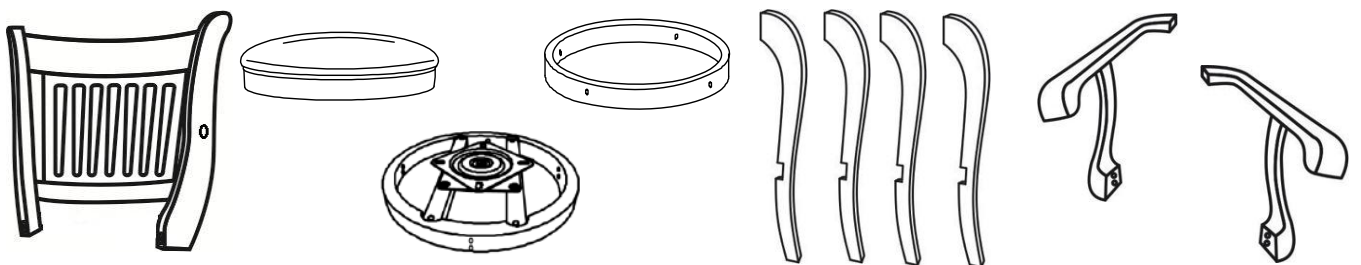
C		Leg Frame	1 Pc
D		Swivel Plate	1 Pc
E		Seat	1 Pc
F		Right Wooden Arm	1 Pc
G		Left Wooden Arm	1 Pc

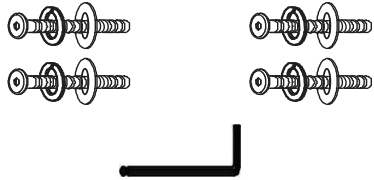
## Hardware

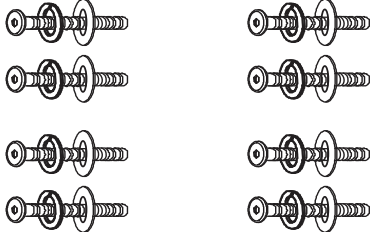
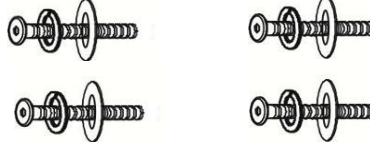
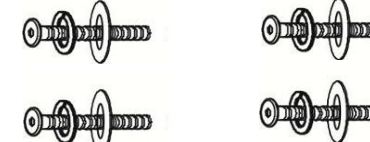

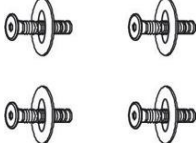
Label	Picture	Description	QTY
①		Bolt : M6 x 40mm	22 Pcs
②		Bolt : M6 x 25mm	4 Pcs
③		Spring Washer M6 x 13mm	22 Pcs
④		Flat Washer M6 x 13mm	14 Pcs
⑤		Flat Washer M6 x 16mm	12 Pcs
⑥		Allen Key	1 Pc

## Assembly Preparation

Before Beginning Assembly :



<b>Pack A</b> - for assembling the Wood Leg (B) to the Leg Frame (C)	4 Bolt M6 x 40mm 4 Spring Washer M6 x 13mm 4 Flat Washer M6 x 13mm 1 Allen Key	
--	---	--

<b>Pack B</b> - for assembling the Wood Leg (B) to the Swivel Plate (D)	8 Bolt M6 x 40mm 8 Spring Washer M6 x 13mm 8 Flat Washer M6 x 13mm	
<b>Pack C</b> - for assembling the Backrest (A) to the Seat (E)	4 Bolt M6 x 40mm 4 Spring Washer M6 x 13mm 4 Flat Washer M6 x 16mm	
<b>Pack D</b> - for assembling the Wooden Arm (F) & (G) to Seat (E)	4 Bolt M6 x 40mm 4 Spring Washer M6 x 13mm 4 Flat Washer M6 x 16mm	
<b>Pack E</b> - for assembling the Wooden Arm (F) & (G) to Backrest (A)	2 Bolt M6 x 40mm 2 Spring Washer M6 x 13mm 2 Flat Washer M6 x 13mm	
<b>Pack F</b> - for assembling the Swivel Plate (D) to the Seat (E)	4 Bolt M6 x 25mm 4 Flat Washer M6 x 16mm	



- Read instructions, cover to cover-



- Have 2 adults on hand for assembly-



- Do not assemble on flooring or carpet-



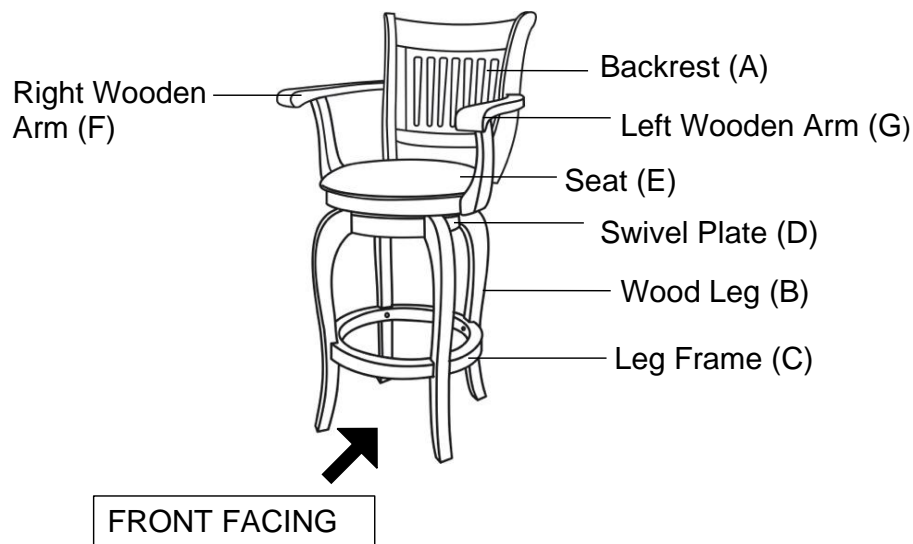
- Assemble on a clean non-marring surface (packing foam)-



- Save all packaging until finished-

## Assembly Steps

### Overview

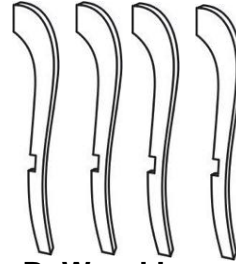


This Bar Stool/Counter Stool has multiple parts and may require up to 30 minutes to assemble. To give you an overview of the Bar Stool/Counter Stool parts, the above picture is to help you put the various Bar Stool/Counter Stool parts into perspective. Please read through the instructions to familiarise yourself with the parts and steps before assembly.

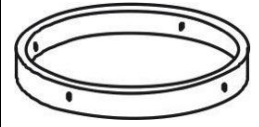
**Step 1**



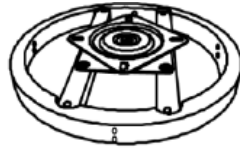
**A. Backrest**



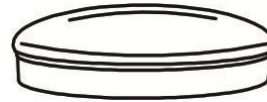
**B. Wood Legs**



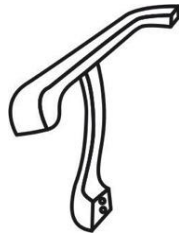
**C. Leg Frame**



**D. Swivel Plate**



**E. Seat**



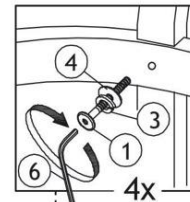
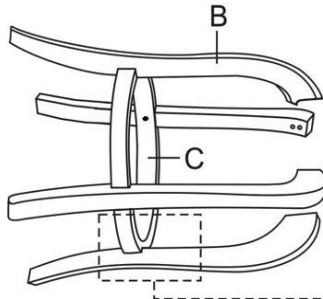
**F. Right Wooden Arm**



**G. Left Wooden Arm**

Place the Backrest (A) and Wood Legs (B), Leg Frame (C), Swivel Plate (D), Seat (E), Right Wooden Arm (F) & Left Wooden Arm (G) on a soft surface to avoid any scratches or damages to the product and take out all the hardware.

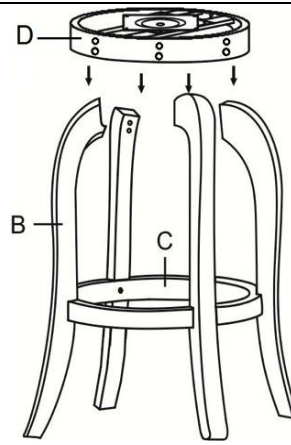
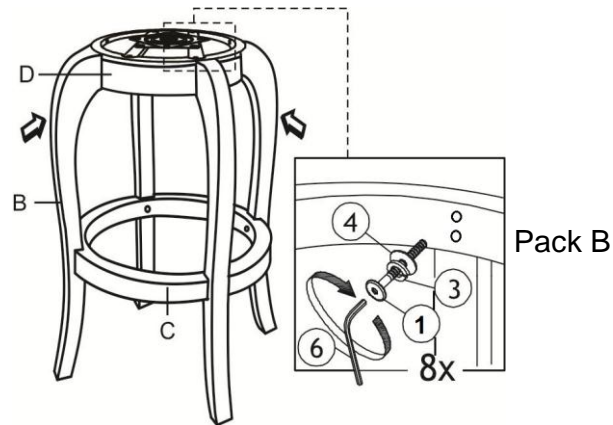
**Step 2**



**PACK A**

Place the Wood Leg (B) and Leg Frame (C) on a clean, non-marring surface. Take one Wood Leg (B) and Leg Frame (C) align to the mounting position, use the Bolt ①, Spring Washer ③, Flat Washer ④, Allen Key ⑥ by using Hardware Pack A. Repeat the same process with the remaining legs. At this stage, **DO NOT FULLY TIGHTEN BOLTS.**

**WARNING !! DO NOT FULLY TIGHTEN BOLTS OVER TIGHTEN COULD LEAD TO DAMAGE OF THE PRODUCT TIGHTEN ONLY UNTIL SECURE AND STABLE.**

**Step 3****3.1****3.2**

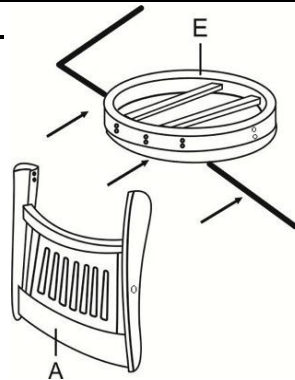
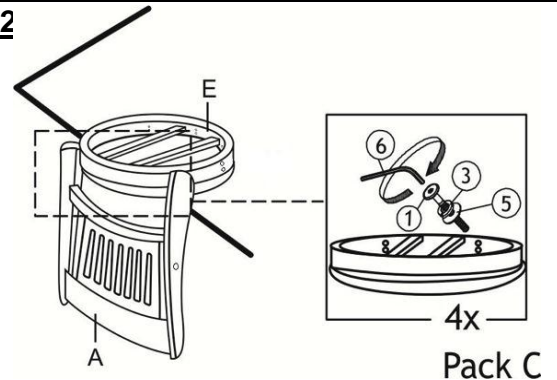
**3.1** Position the assembled component upright.

Align the mounting position of Wooden Leg (B) and Swivel Plate (D).

**3.2** Then, affix the Wooden Leg (B) and Swivel Plate (D) with Bolt ①, Spring Washer ③, Flat Washer ④, and Allen Key ⑥ by using Hardware Pack B.

Repeat the same process with the remaining legs.

At this stage, **DO NOT FULLY TIGHTEN BOLTS.**

**Step 4****4.1****4.2**

**4.1** Place the Seat (E) upside down on a table edge.

**4.2** Align the mounting position of the Seat (E) with the Backrest (A) with Bolt ① •,

Spring Washer ③, Flat Washer ⑤, and Allen Key ⑥ by using Hardware Pack C.

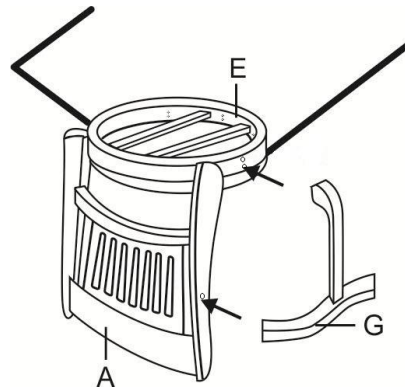
Partially drive in all the Bolts in this part of assembly.

Once all Bolts in position, turn in these Bolts.

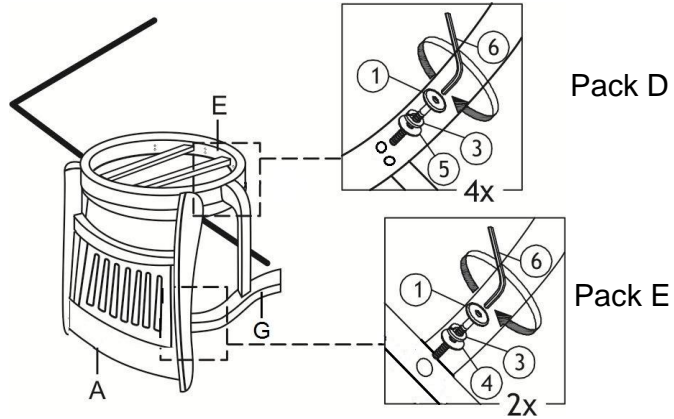
At this stage, **DO NOT FULLY TIGHTEN BOLTS.**

**Step 5**

**5.1**



**5.2**



**5.1** Place the Seat (E) upside down on table edge

**5.2** Align the mounting position of the Seat (E) with Wooden Armrest (G) with Bolt ① ; Spring Washer ③ Flat Washer ⑤, Allen Key ⑥ by using Hardware Pack D.

Then, align the mounting position of the Backrest (A) with Wooden Armrest (G) with Bolt ① ; Spring Washer ③ , Flat Washer ④, Allen Key ⑥ by using Hardware Pack E.

Partially drive in all the Bolts in this part of assembly.

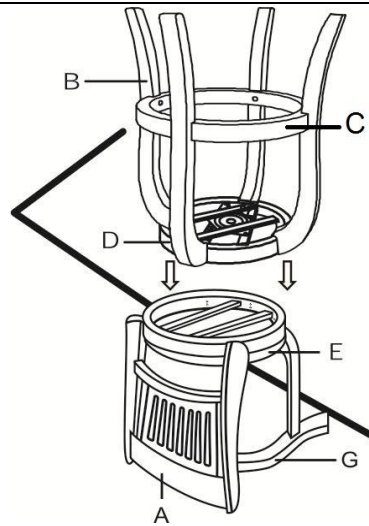
Once all Bolts in position, turn in these Bolts.

At this stage, **DO NOT FULLY TIGHTEN BOLTS.**

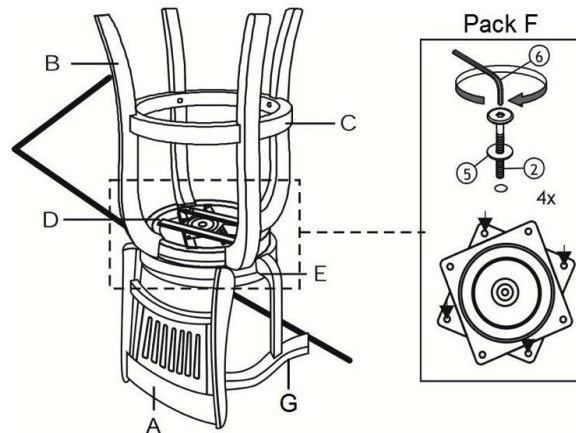
Repeat the remaining process with remaining Wooden Armrest (F)

**Step 6**

**6.1**



**6.2**



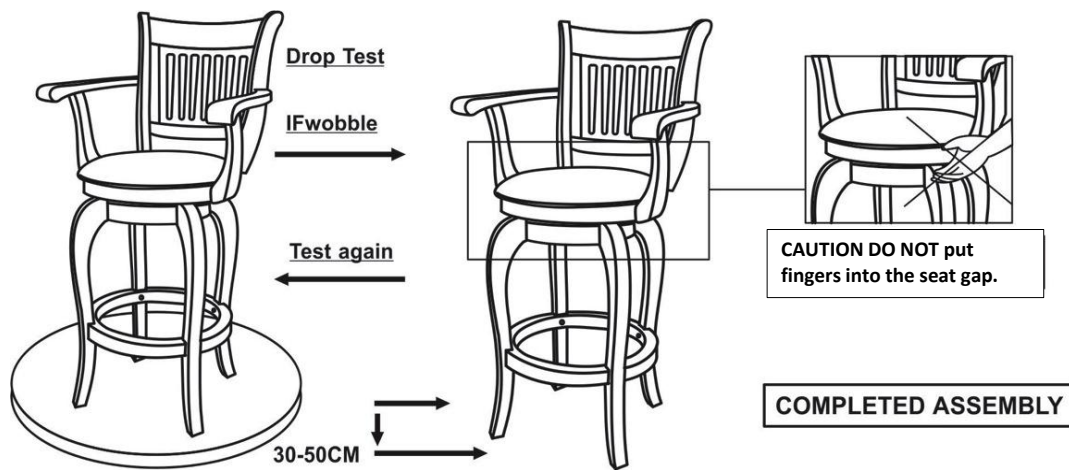
**Warning : Please make sure ALL the BOLTS are FULLY TIGHTEN BEFORE GO TO STEP 6**

**6.1** Keep the Bar Stool/Counter Stool still turned upside down (legs facing skywards) on the Table. Place the assembled Swivel Plate (D) upside down to the seat frame as shown above. Turn the Swivel Plate (D) to 45° degree position as shown above.

**6.2** Align the mounting position of the Swivel Plate (D) and Seat (E) with Bolt (2), Flat Washer (5) and Allen Key (6) by using Hardware Pack F.

Partially drive in these four Bolts into the Swivel Plate (D)  
Turn in all Bolts.  
At this stage, **FULLY TIGHTEN THE BOLTS.**

## Step 7



Ensure that all the Bolts are fully driven in and locked in.

Turn this Bar Stool/ Counter Stool right way up and ensure this Bar Stool/Counter Stool is stable.

Place the Bar Stool/Counter Stool on a level Surface to check if it wobbles.

If it is wobbles, lift the Bar Stool/Counter Stool some 30cm to 50 cm high from the ground, keep your feet and toes well away from the drop zone.

Drop the Bar Stool/Counter Stool freely and vertically with the four legs, hitting the ground at the same time.

This **Drop Test** will help to ensure that all the Bolts and gaps to all reach full alignment status.

Test again for evenness on a **Level Surface**.

If no wobbles are found, proceed to tighten all the Bolts.

**Caution: When tightening the Bolts, tighten sequentially.**

**Do not fully tighten all screws expect Pack F on step 6 and then towards the next one.**

**This may cause the frame to warp.**

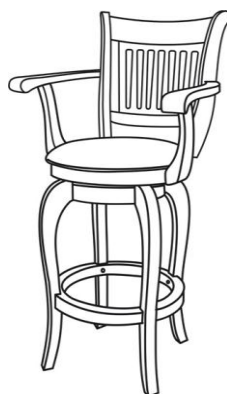
**If there is still wobbles, loosen the bolts expect Pack F on step 6 and execute this same drop test.**

**WARNING !! DO NOT FULLY TIGHTEN ALL BOLTS expect Pack F on step 6.**

**OVER TIGHTENING COULD LEAD TO DAMAGE OF THE PRODUCT.**

**TIGHTEN ONLY UNTIL SECURE AND STABLE.**

## Step 8





















The Bar Stool/Counter Stool now is ready for use.

After a period of use, you may find the Bar Stool/Counter Stool joints, may become loose.

Get the Allen Key and tighten up all Bolts.

This Bar Stool/Counter Stool can only be used on a flat, level surface.

## Care & Maintenance

-   ● Do not put hot items directly on furniture surface
-   ● Do not clean furniture with harsh cleansers or polish.
-   ● Do not place furniture under direct sunlight.
-   ● Do not place furniture near heating or cooling vents.
-   ● Do not write on furniture without a padded barrier to protect the surface.
-   ● Do not place furniture outside . For indoor use only .
-   ● Not for commercial use. For residential use only .
-   ● Stains may be removed with mild soap solution and damp cloth.
-   ● Children should not climb or jump on the furniture.

- 
-   ● Dust and pick-up spills using a clean, non-colored, lint-free cloth .

### What is Proposition 65?

Proposition 65 is a California law that requires warning labels on products that may contain one of more than 800-plus chemicals or ingredients that the California Office of Environmental Health Hazard Assessment (OEHHA) has deemed to cause cancer or other reproductive toxicity. Chemicals and elements on this list include wood dust, brass, and other everyday substances, which can be found in very common household items, such as: lamps, tableware, jewelry, crystal glasses, electric cords, beauty products, automobiles, and furniture.

### Why Did I Find a Proposition 65 Warning on My Home Goods Product?

We include Proposition 65 warnings on all of our products because there is always a chance that one of the 800-plus common chemicals and ingredients listed under this law could potentially be on our furniture or packing materials. We risk large fines under this law, if we don't include this warning.

### Should I worry?

We realize you may be worried finding this warning on our products, but we want to reassure you that the hazardous exposure limits for any of these chemicals have never been found on furniture products that we've shipped to our customers. Additionally, this warning label is very common and can be found on almost every piece of furniture sold in the state of California.

### Just How Common Are Proposition 65 Warnings?

Proposition 65 warnings have become so common in California that it is hard to take a trip to a local bank, grocery store, or restaurant without finding at least one warning. In fact, even the Disney Land Resort has a Proposition 65 warning:

