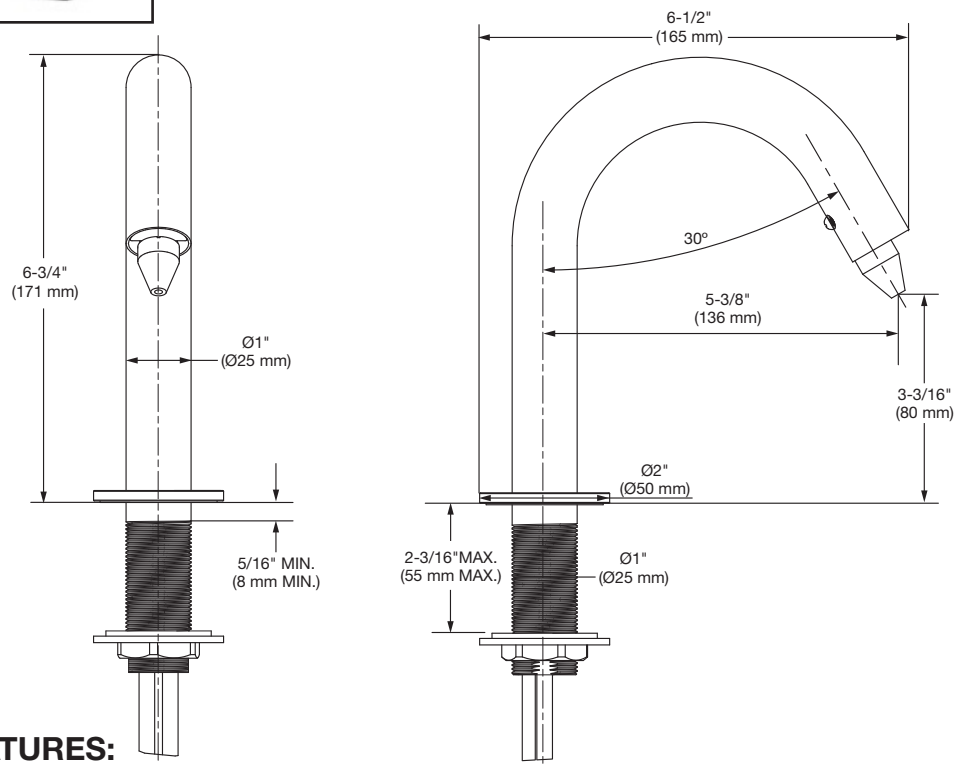




MODEL NUMBER:

- ❑ **7770100 Sensor-Operated Soap Dispenser, Battery Powered**
 - Includes 4 D-sized alkaline batteries
 - Battery Life: 100,000 cycles
- ❑ **777B100 Sensor-Operated Soap Dispenser, Base Model**
 - Selectronic AC power kit must be purchased separately



PRODUCT FEATURES:

- Touchless Operation limits the spread of germs for a safer restroom
- Deck-mount design with brass spout
- Dispenses universal bulk foam soap
- Waterproof electronics
- Includes 1,800 ml soap bottle with quick disconnect
- Recommended Soap
 - Cleaning Revolution® Foaming Hand Soap
 - GOJO® and Ecolab® foam soap with viscosity between 1 - 20 cps

- Base Model: Option of Plug-In (PK00.PAC) or Hard-Wired AC (PK00.HAC) power kit (sold separately)
 - 1 power kit can operate sensor-operated faucet and soap dispenser
- Portion Control: 4 options to the amount of soap dispensed per activation
 - Maximum of 1,800 portions per 1.8L bottle
- Initialization Mode: Simplifies start-up by pumping soap through system
- Finishes: Polished Chrome (002) and Brushed Nickel PVD (295)



PART OF LIXIL

SUGGESTED SPECIFICATION

This touchless soap dispenser shall be sensor-operated to limit the spread of germs. Features brass spout with easily cleanable rubber nozzle and waterproof pump. Adjustable portion control knob allows for 4 options to control the amount of soap dispensed per activation. Soap Dispenser shall be American Standard Model # 777_100.