



Enjoy Cozy Life!

**12'X16' ALEXANDER HARDTOP GAZEBO
WITH DOUBLE ROOF**

ASSEMBLY MANUAL



KOZYARD LLC PRODUCTS

www.kozyard.com

© Copyright 2016 - 2019 Kozyard LLC. | All Rights Reserved.



1. Three or more people are required for assembly.



5. Use the hex keys in the box.



2. You will need one or more stepladders.



6. Please use a Phillips screwdriver.



3. Wearing protective gloves is recommended.



7. Do not fully tighten screws prior to complete assembly.

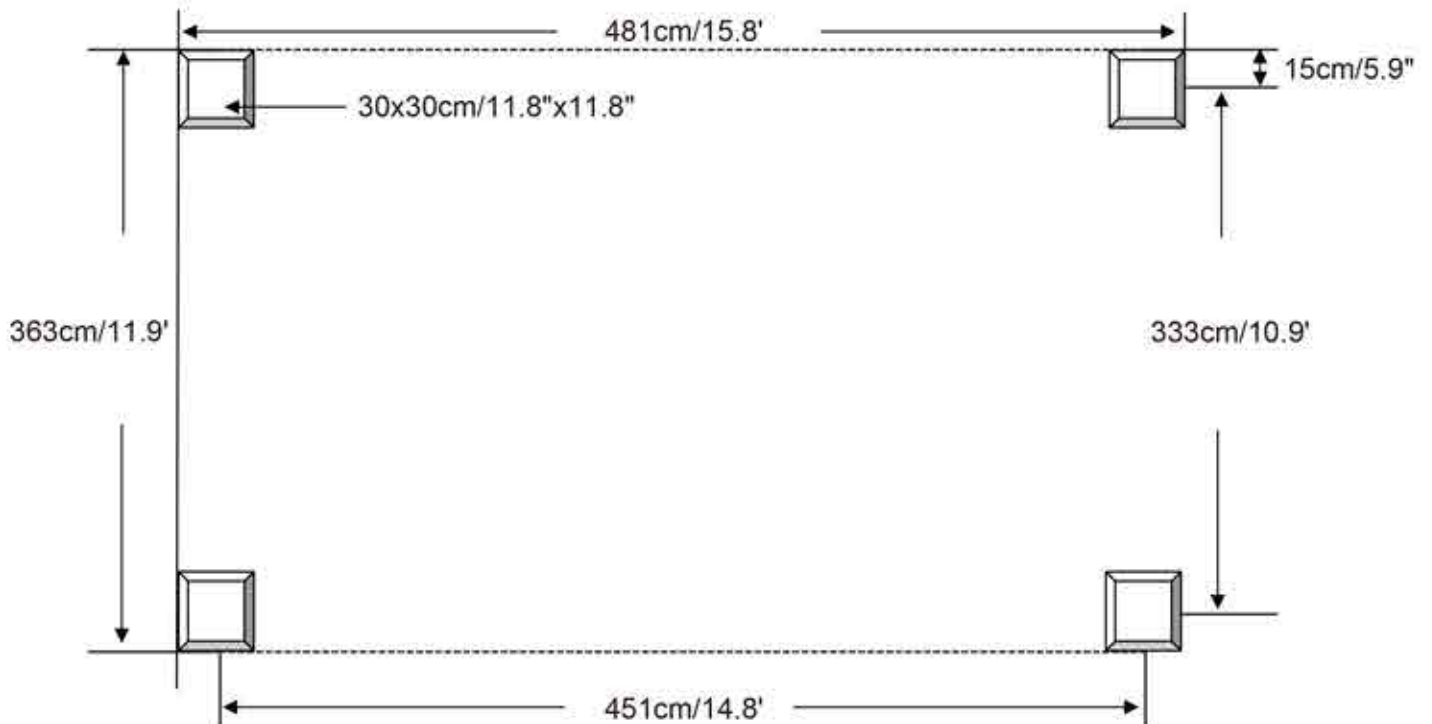


4. You may need a safety hat.



8. For ease of construction, you may need to use a drill.

12x16' ANCHOR BLUEPRINT





A (x4)



J1 (x4)



B (x2)



J2 (x4)



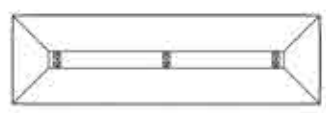
B1 (x2)



K (x1)



B2 (x2)



K1 (x1)



C (x2)



L (x4)



C1 (x2)



M (x4)



C2 (x2)



N (x4)



D (x2)



N1 (x4)



D1a x2



D1 (x2)



D2 (x2)



E (x2)



E1 (x2)



E1a x2



E2 (x2)



F (x4)

| ITEM | DESCRIPTION | QTY |
|------|------------------------|-----|
| A | Pole | 4 |
| B | Beam | 2 |
| B1 | Joint Bar | 2 |
| B2 | Sidewall Track | 2 |
| C | Beam | 2 |
| C1 | Joints Bar | 2 |
| C2 | Sidewall Track | 2 |
| D | Beam | 2 |
| D1 | Joints Bar | 2 |
| D1a | Joints Bar | 2 |
| D2 | Sidewall Track | 2 |
| E | Beam | 2 |
| E1 | Joints Bar | 2 |
| E1a | Joints Bar | 2 |
| E2 | Sidewall Track | 2 |
| F | Union Bar | 4 |
| G | Corner Cover | 4 |
| H | Joint Cover | 4 |
| H1 | Joint Cover | 4 |
| J1 | Corner Solidifying Bar | 4 |
| J2 | Corner Solidifying Bar | 4 |
| K | Inside Roof Connector | 1 |
| K1 | Outside Roof Connector | 1 |
| L | Base | 4 |
| M | Corner roof bar | 4 |
| N | Roof Bar | 4 |
| N1 | Roof Bar | 4 |



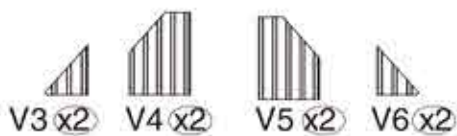
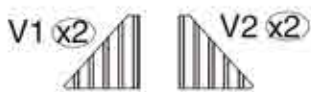
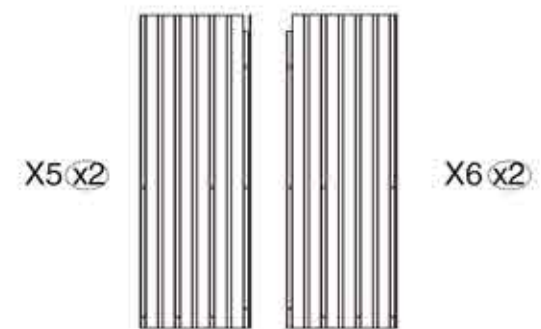
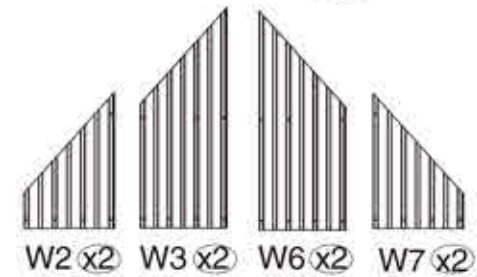
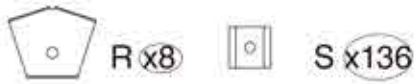
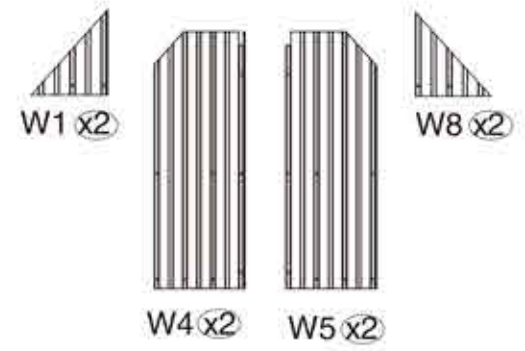
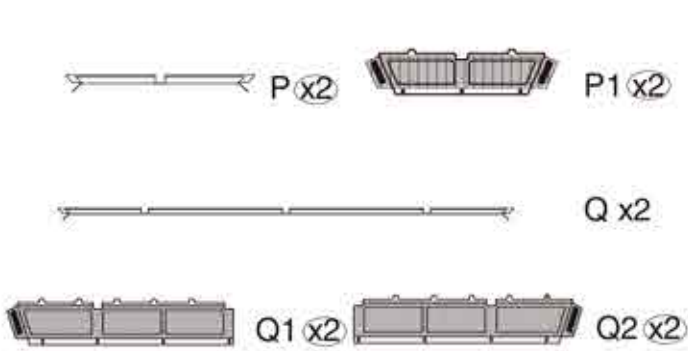
G (x4)



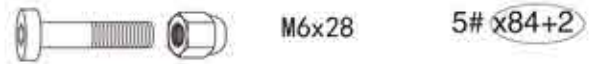
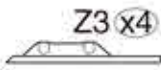
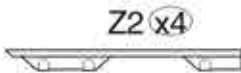
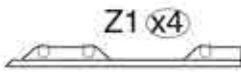
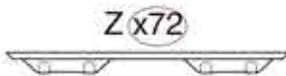
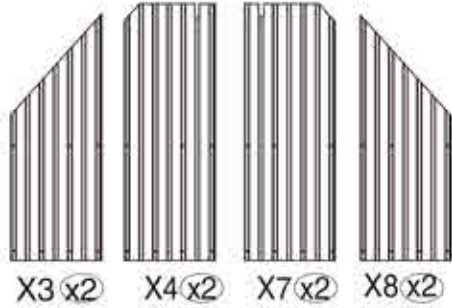
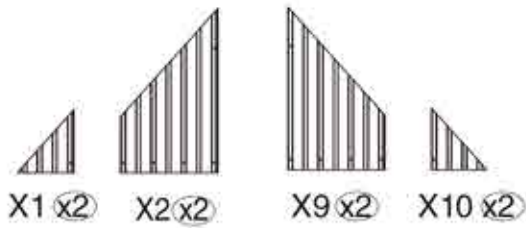
H (x4)



H1 (x4)

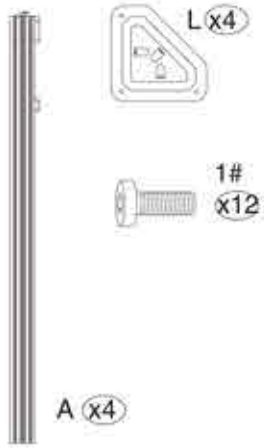


| ITEM | DESCRIPTION | QTY |
|------|-----------------|-----|
| P | Finishing Bar | 2 |
| P1 | Net Frame | 2 |
| Q | Finishing Bar | 2 |
| Q1 | Net Frame | 2 |
| Q2 | Net Frame | 2 |
| R | Finishing End | 8 |
| S | Spacer | 136 |
| T1 | Finishing Bar | 2 |
| T2 | Finishing Bar | 2 |
| U1 | Solidifying Bar | 4 |
| U2 | Solidifying Bar | 4 |
| U3 | Iron Angle | 4 |
| U4 | Iron Angle | 6 |
| U5 | Solidifying Bar | 2 |
| v | Roof Panel | 2 |
| V1 | Roof Panel | 2 |
| V2 | Roof Panel | 2 |
| V3 | Roof Panel | 2 |
| V4 | Roof Panel | 2 |
| V5 | Roof Panel | 2 |
| V6 | Roof Panel | 2 |
| W1 | Roof Panel | 2 |
| W2 | Roof Panel | 2 |
| W3 | Roof Panel | 2 |
| W4 | Roof Panel | 2 |
| W5 | Roof Panel | 2 |
| W6 | Roof Panel | 2 |
| W7 | Roof Panel | 2 |
| W8 | Roof Panel | 2 |
| X5 | Roof Panel | 2 |
| X6 | Roof Panel | 2 |



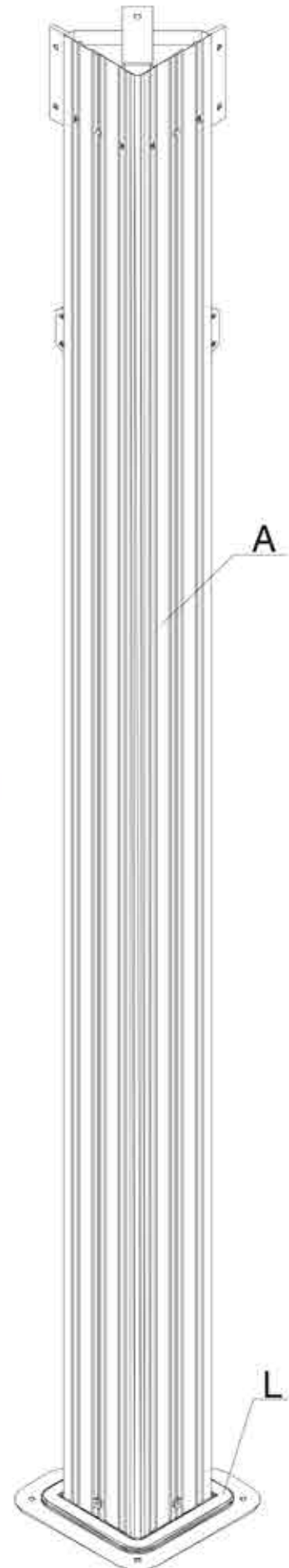
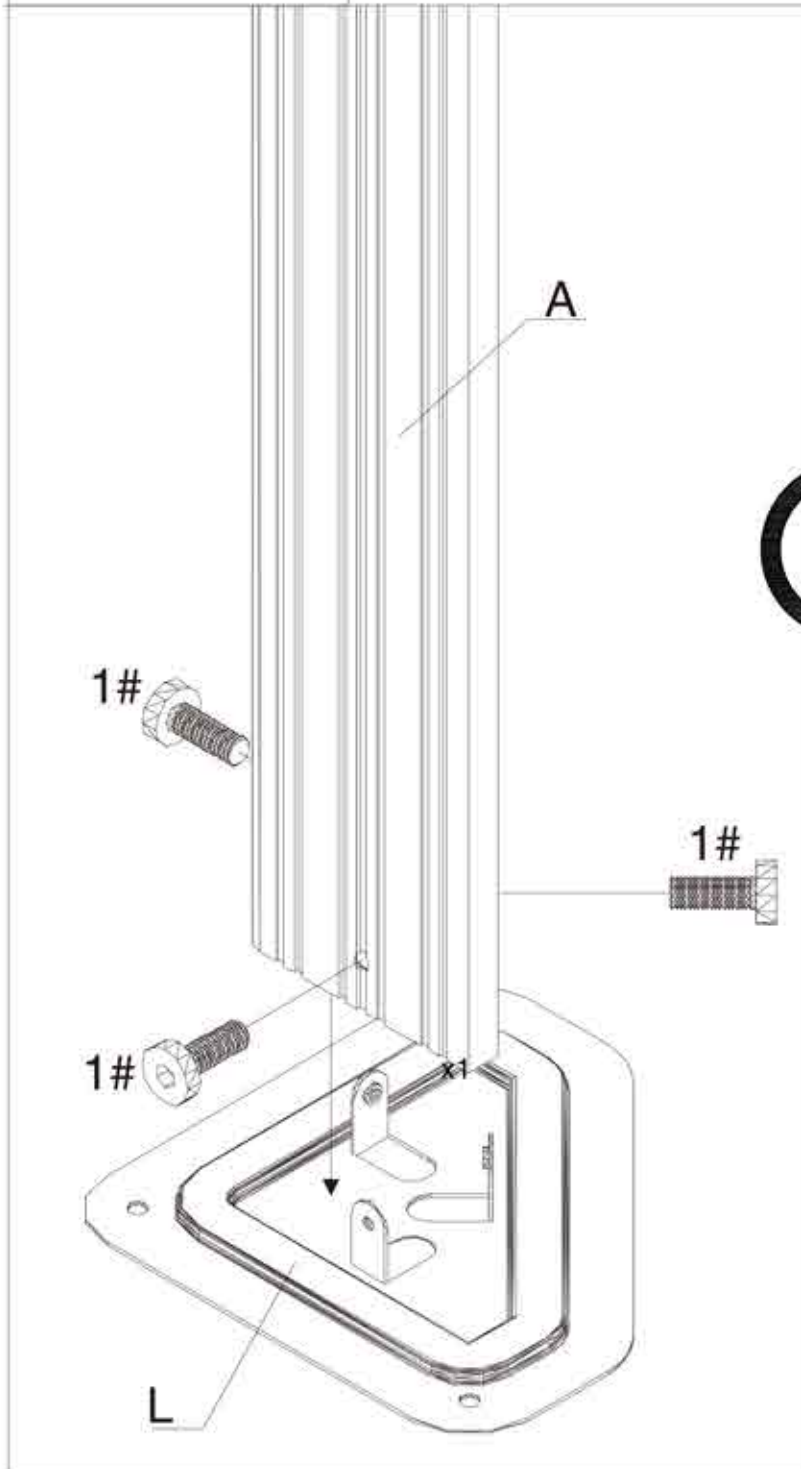
| ITEM | DESCRIPTION | QTY |
|------|-------------------|-------|
| X1 | Roof Panel | 2 |
| X2 | Roof Panel | 2 |
| X3 | Roof Panel | 2 |
| X4 | Roof Panel | 2 |
| X7 | Roof Panel | 2 |
| X8 | Roof Panel | 2 |
| X9 | Roof Panel | 2 |
| X10 | Roof Panel | 2 |
| Y | Mosquito Sidewall | 4 |
| Y1 | Solid Sidewall | 4 |
| Z | Metal Bracket | 72 |
| Z1 | Metal Bracket | 4 |
| Z2 | Metal Bracket | 4 |
| Z3 | Metal Bracket | 4 |
| Z4 | Metal Bracket | 4 |
| 1# | Screws | 259+4 |
| 2# | Screws | 16+2 |
| 3# | Screws | 16+2 |
| 4# | Hook | 128 |
| 5# | Screws | 84+2 |
| 6# | Screws | 8+1 |
| 7# | Screws | 40+2 |
| 8# | Screws | 4+1 |
| 9# | Screws | 24+2 |
| 10# | Screws | 4+1 |
| 11# | Screws | 12+1 |
| | Allen key | 2 |
| | Wrench | 2 |

Parts Required:

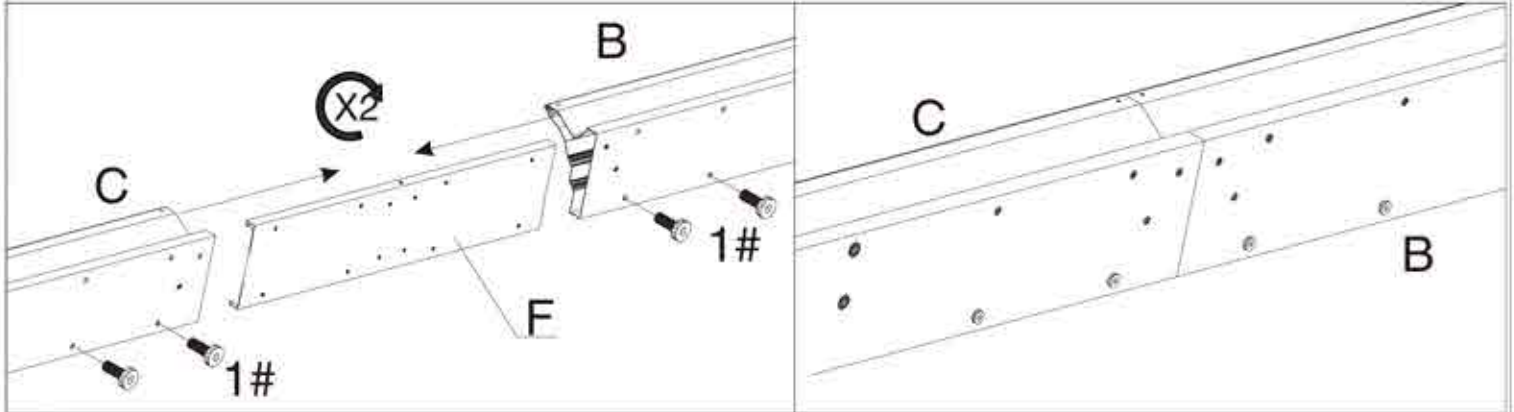
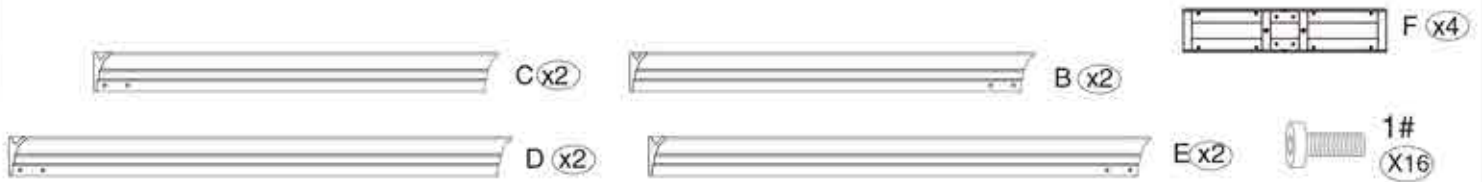


Step 1:

Set up poles (Part A) with stand plates (Part L) using screws 1# as shown in diagram.

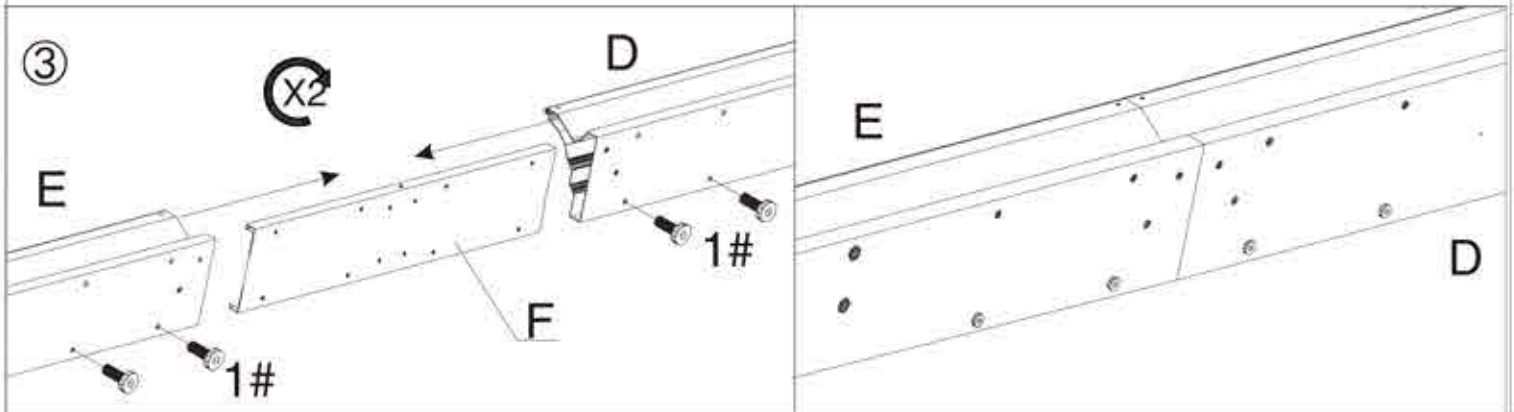


Parts Required:



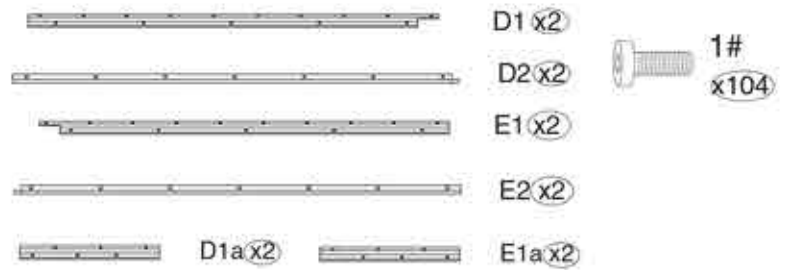
Step 2:

Connect (Part C) and (Part B) into one beam using union bar (Part F) with screws 1# as shown in diagram.

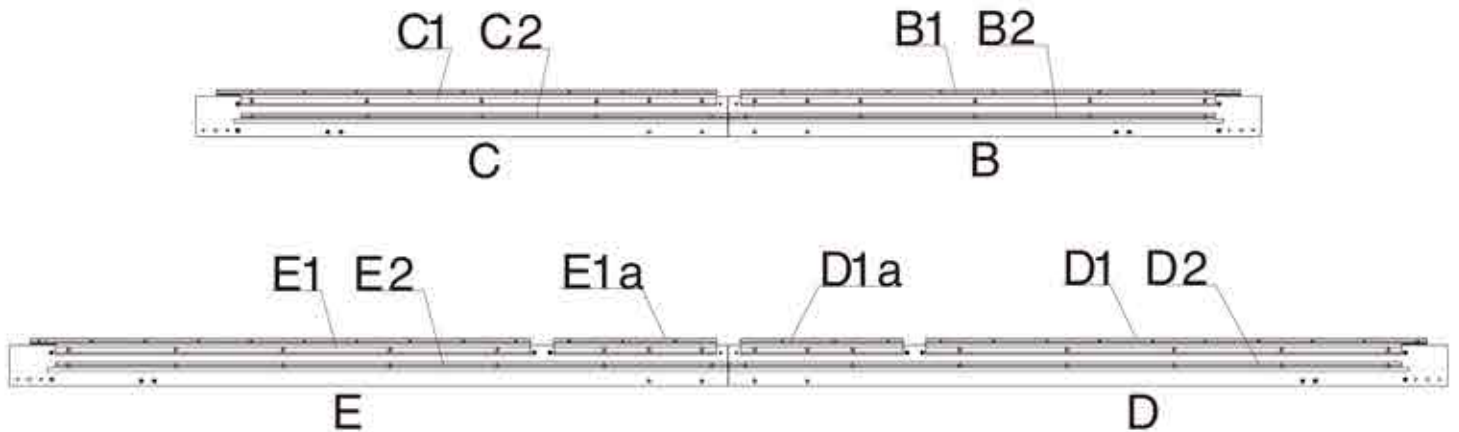


Connect Part E and Part D into one beam using union bar (Part F) with screws 1# as shown in diagram.

Parts Required:



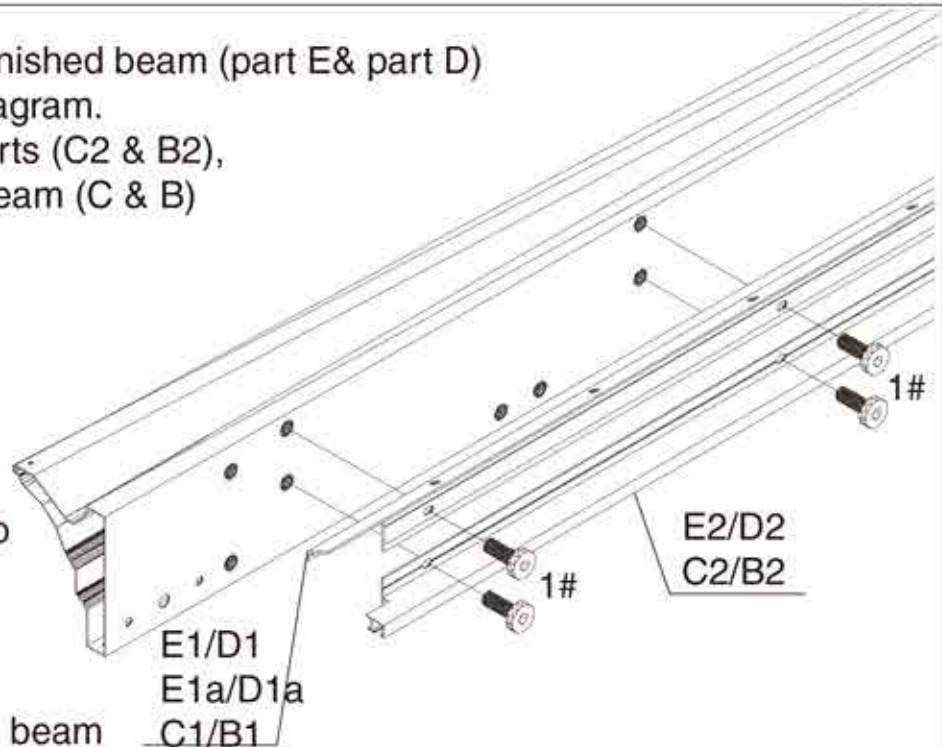
Step 3:



Connect parts (E2&D2) to the finished beam (part E& part D) using screws 1# as shown in diagram. Replicate the same steps for parts (C2 & B2), attaching them to the finished beam (C & B) using screws 1#.

Attach parts (E1,E1a ,D1&D1a) to finished beam (E & D) using screws 1#.

Attach parts (C1 & B1) to finished beam (C & B) using screws 1#.



Parts Required:



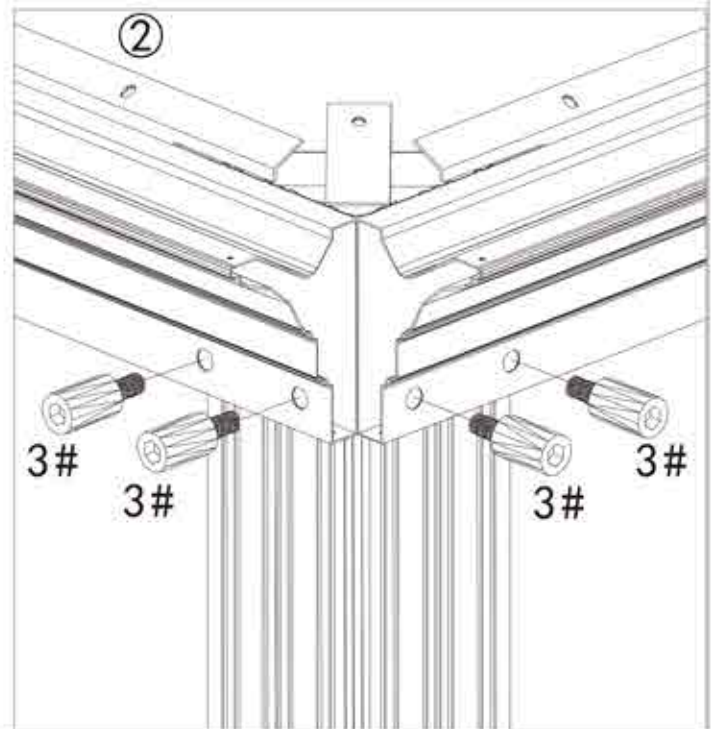
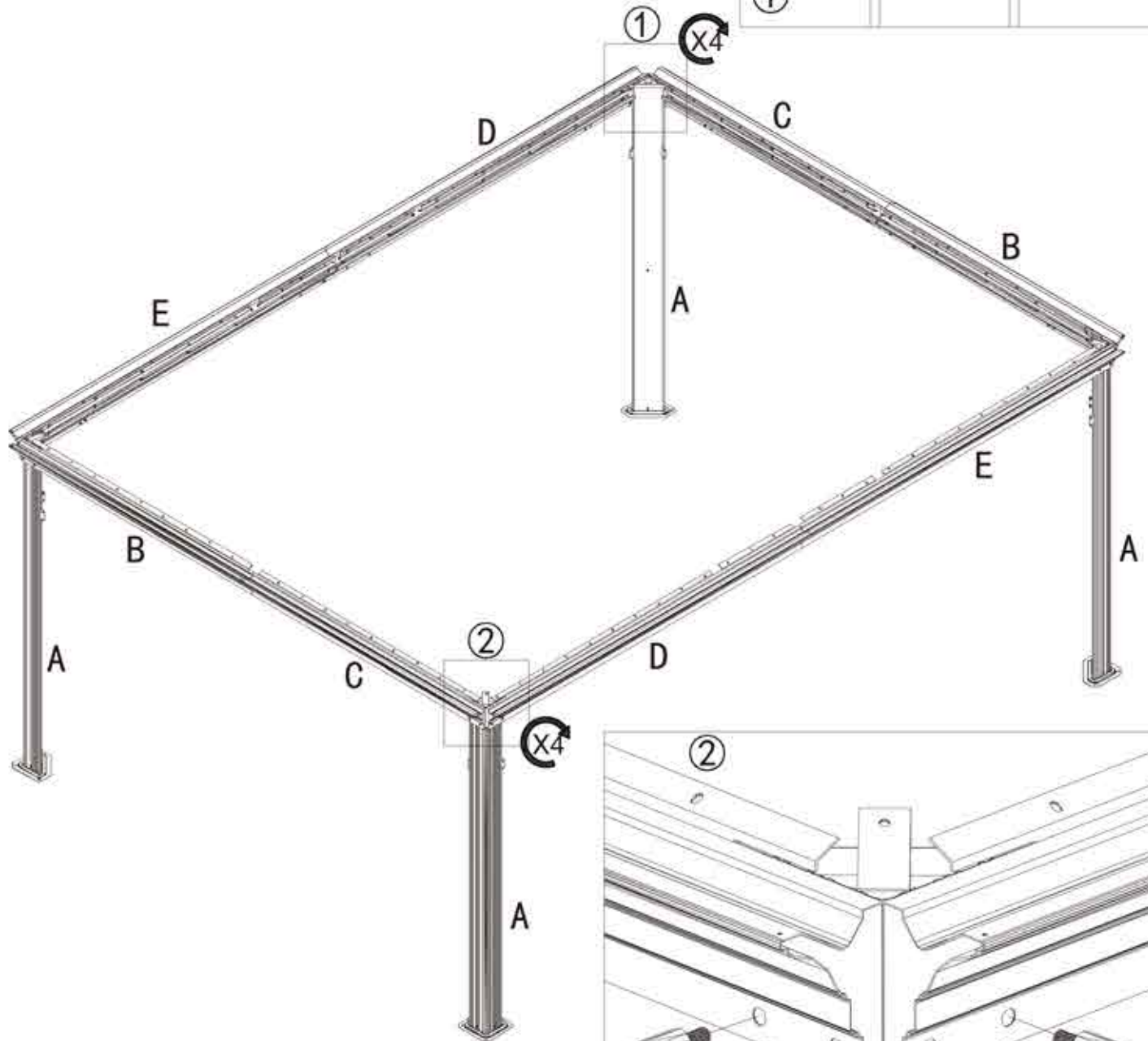
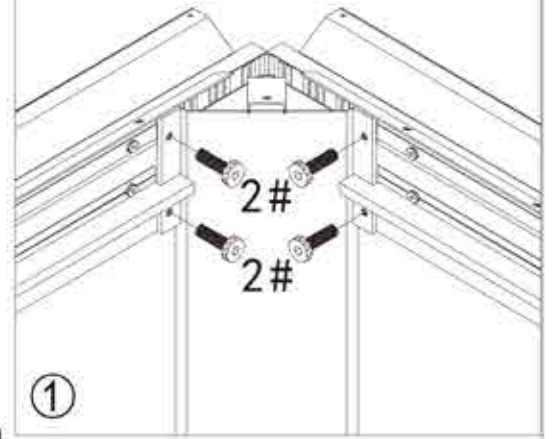
2#
x16



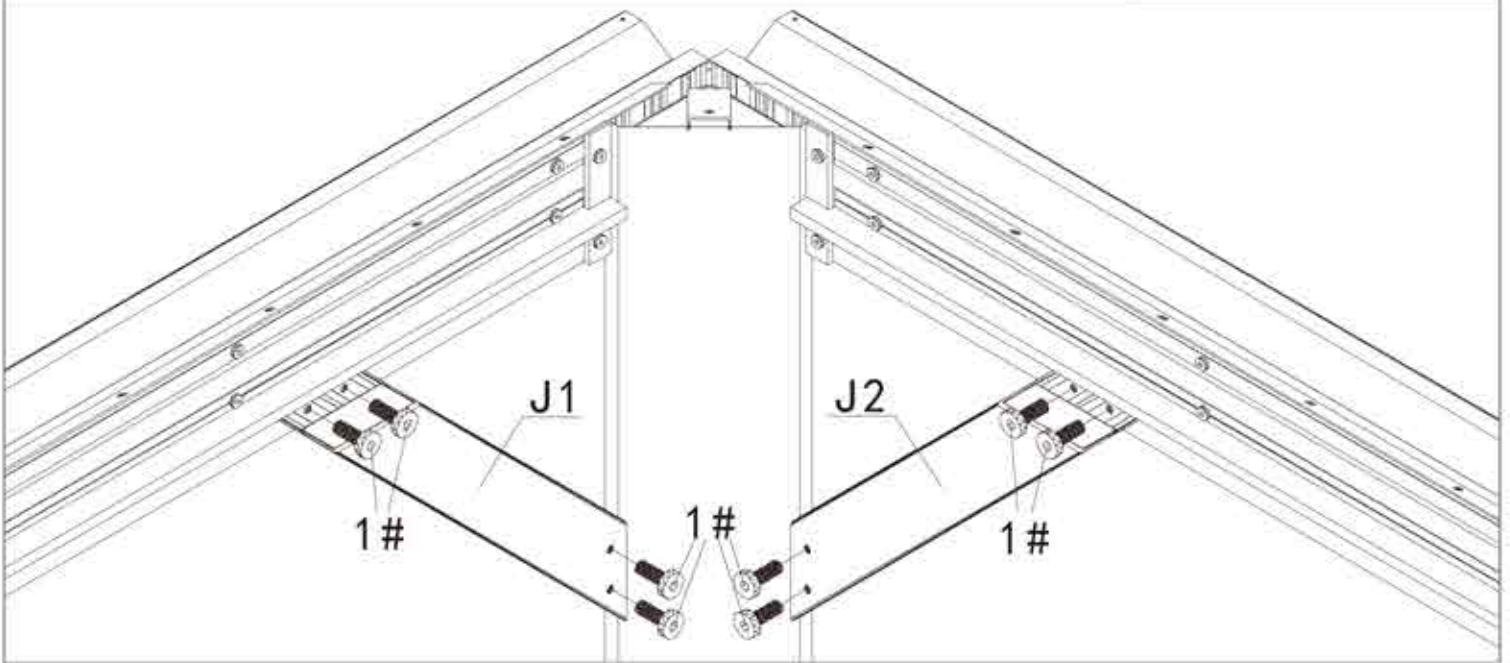
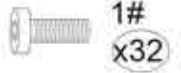
3#
x16

Step 4:

Use screws (2# & 3#) to connect poles and beams together as shown in diagram.

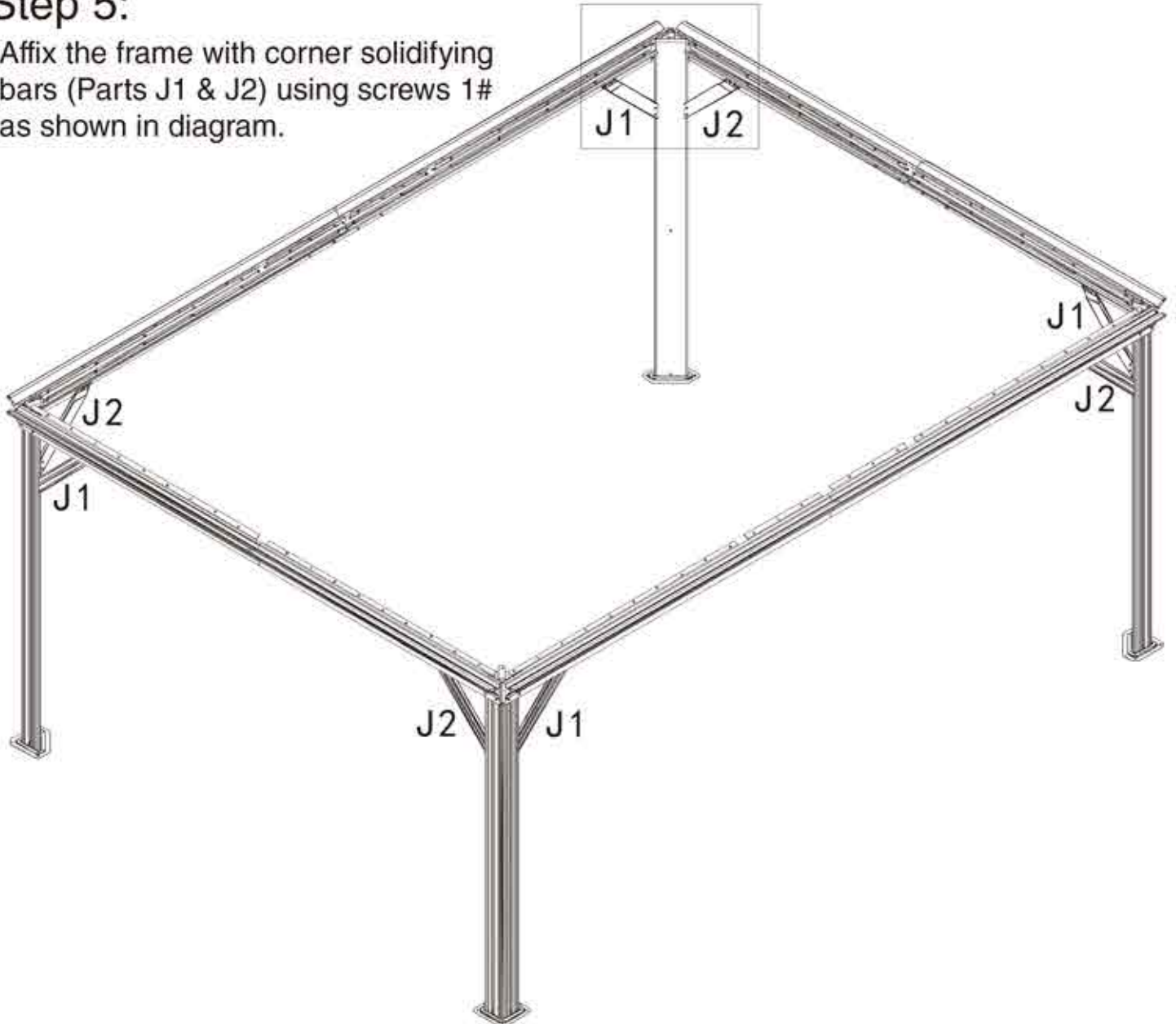


Parts Required:

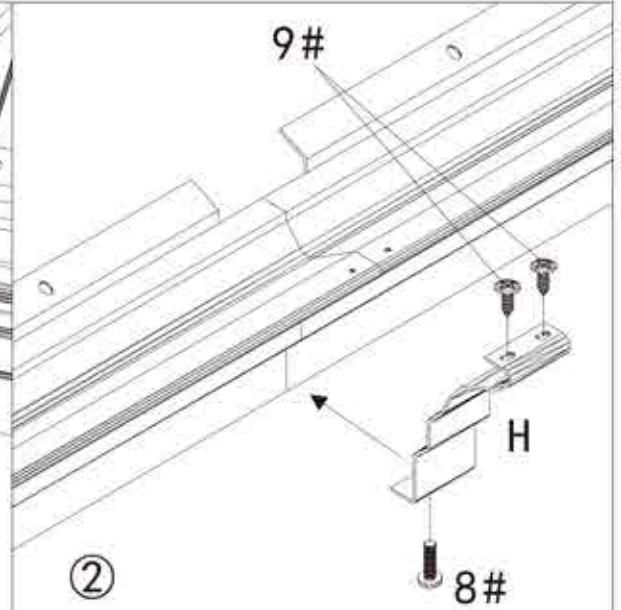
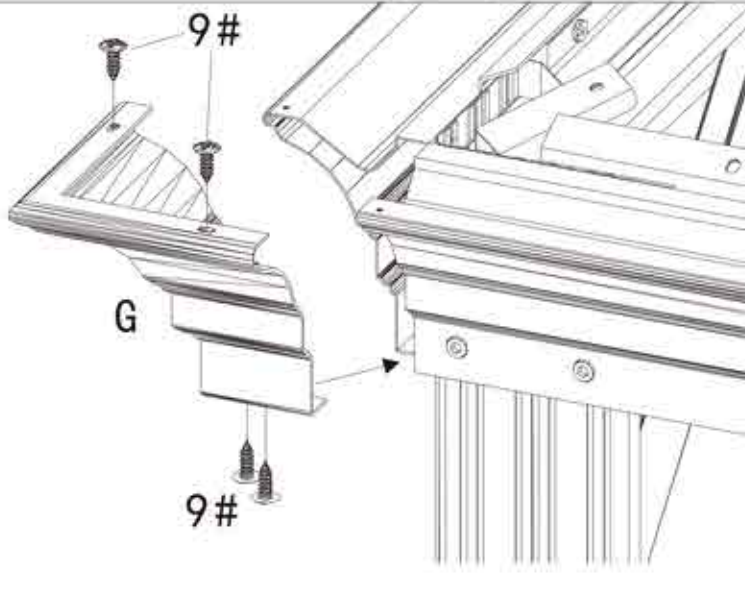


Step 5:

Affix the frame with corner solidifying bars (Parts J1 & J2) using screws 1# as shown in diagram.



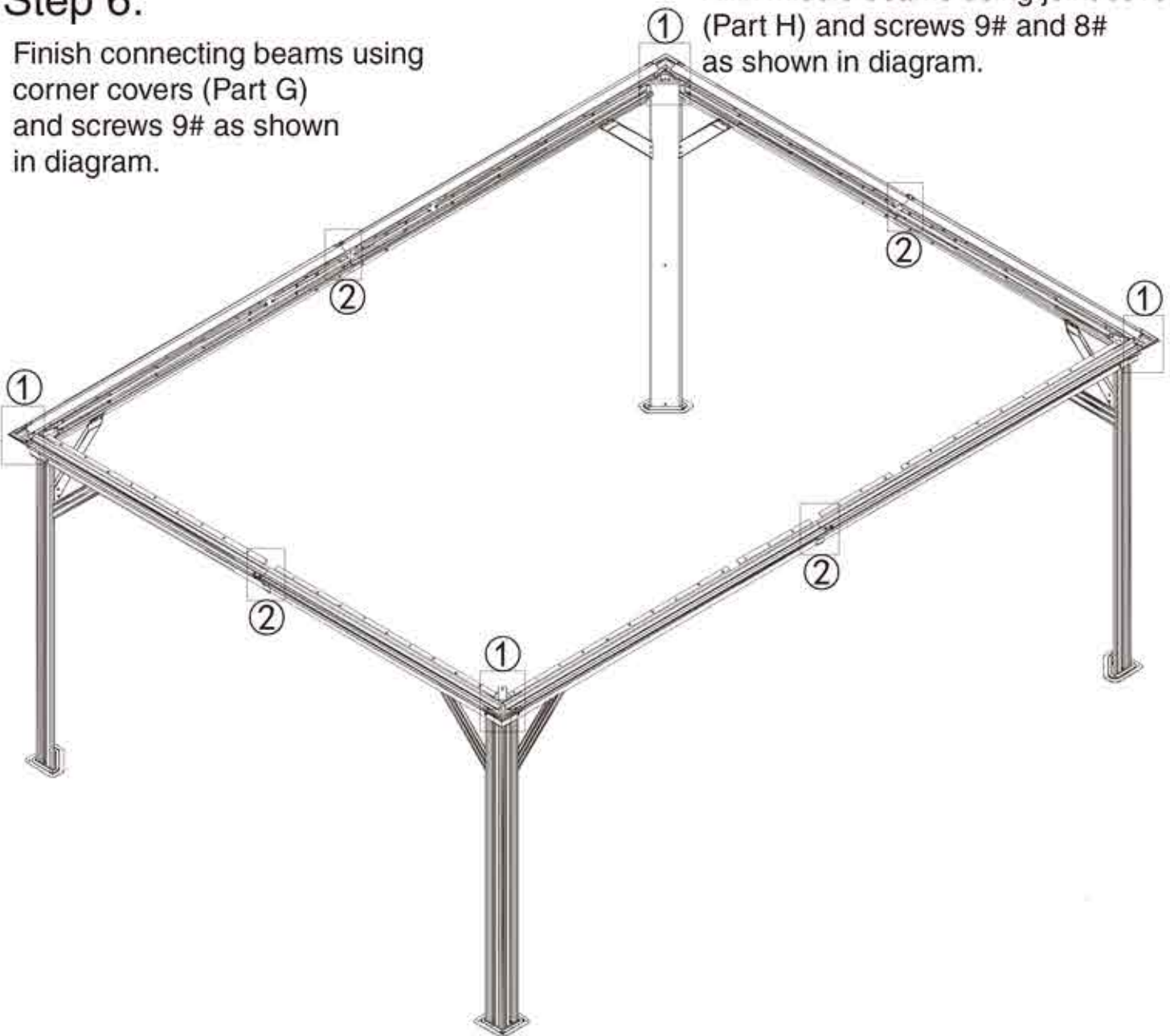
Parts Required:



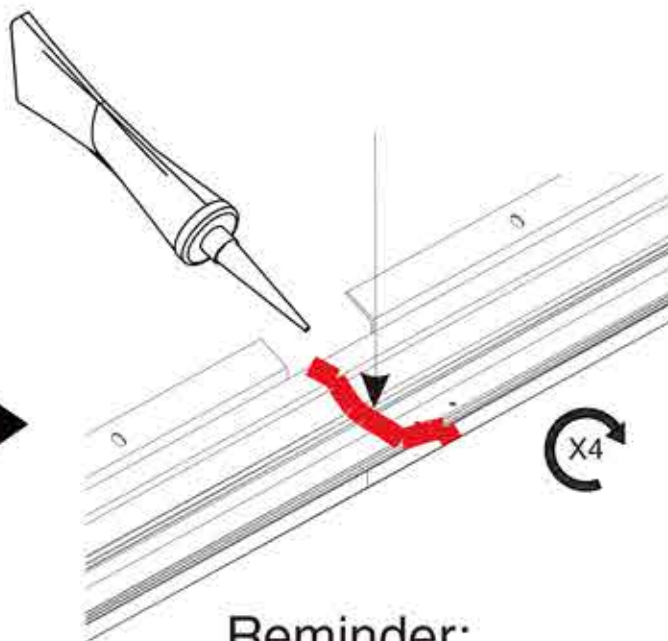
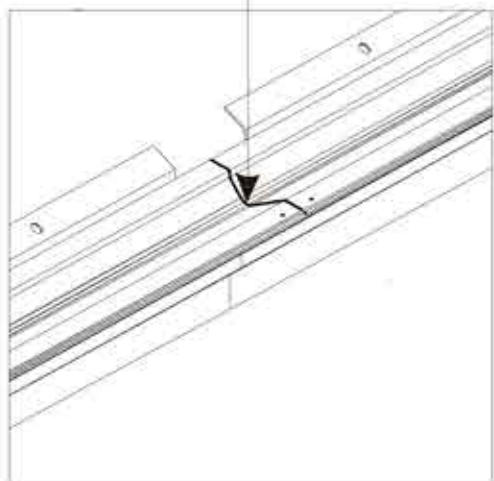
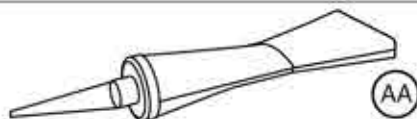
Step 6:

Finish connecting beams using corner covers (Part G) and screws 9# as shown in diagram.

Affix middle beams using joint cover (Part H) and screws 9# and 8# as shown in diagram.

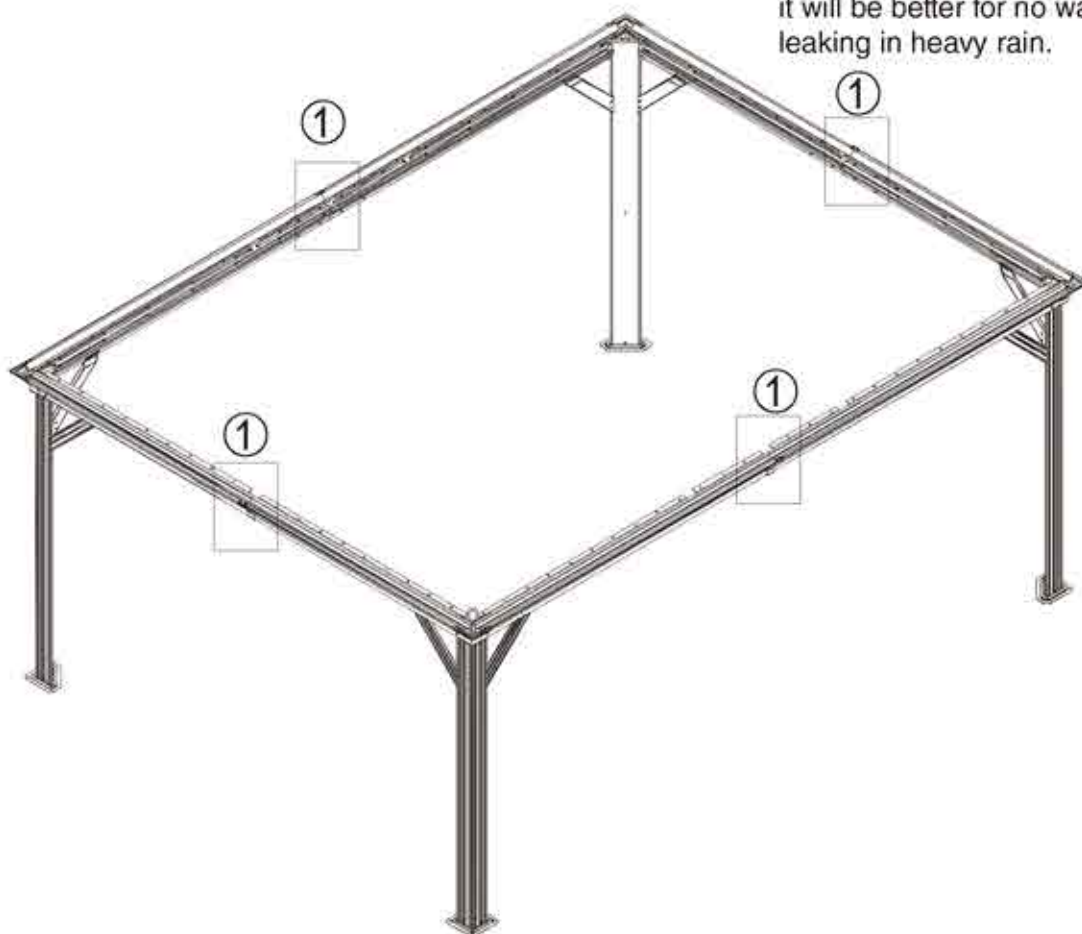


Parts Required:



Reminder:

with silicone rubber to seal
after finishing the assembly
it will be better for no water
leaking in heavy rain.



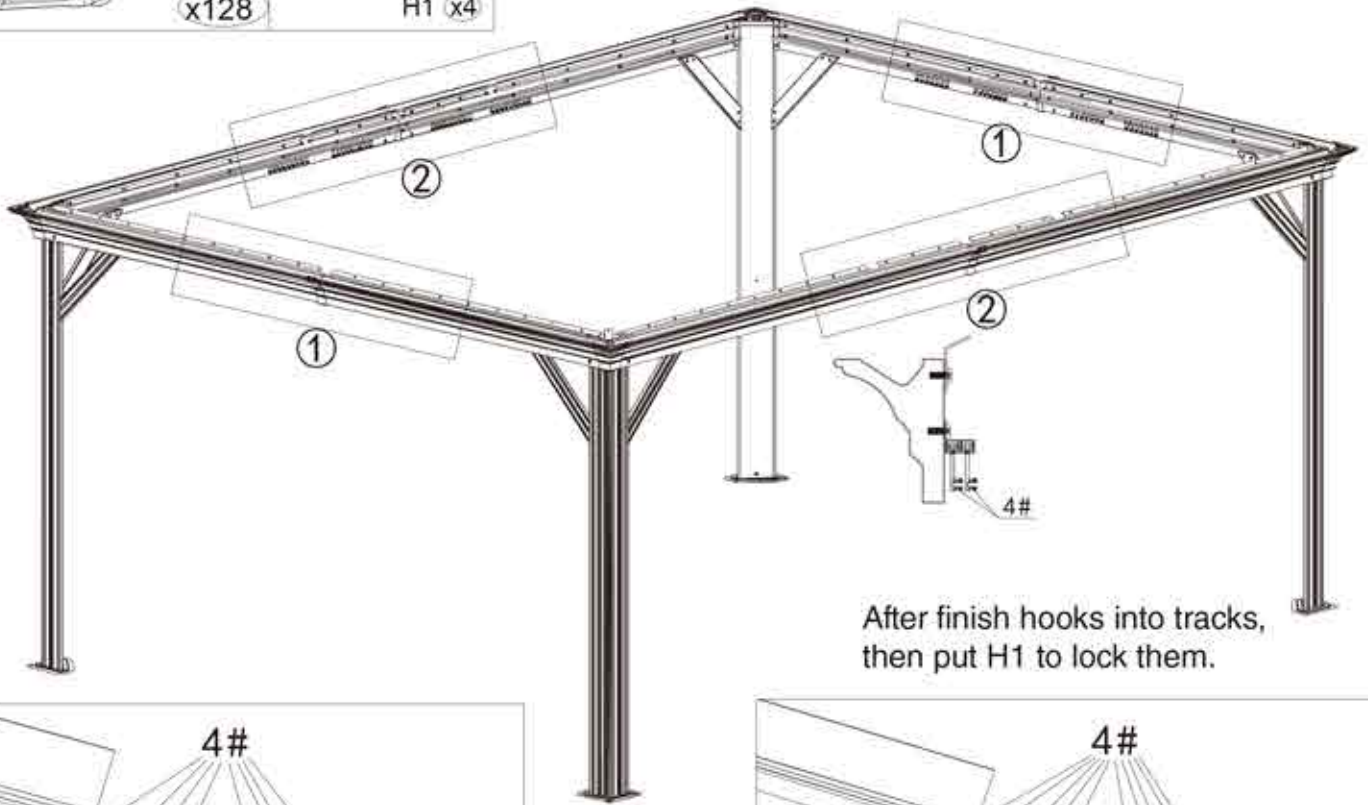
Parts Required:



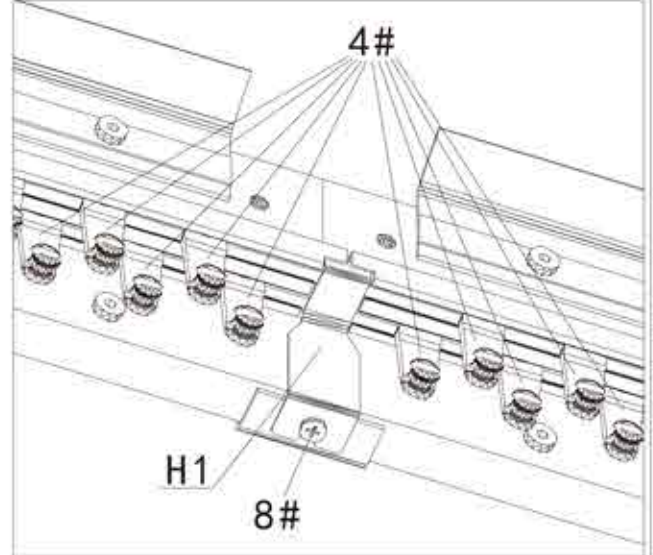
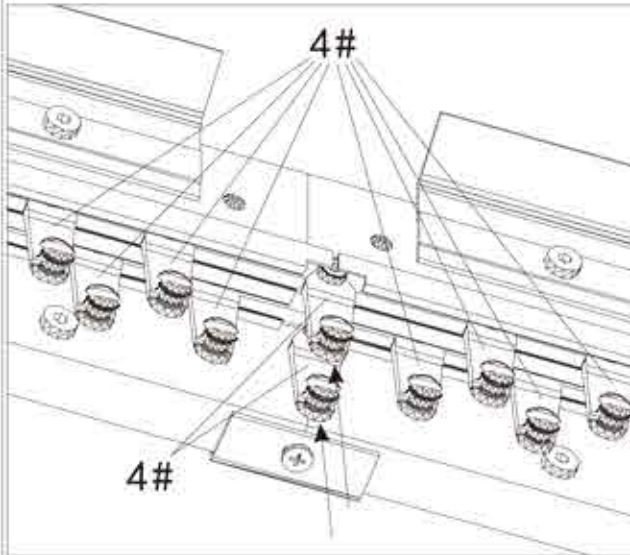
4#
x128



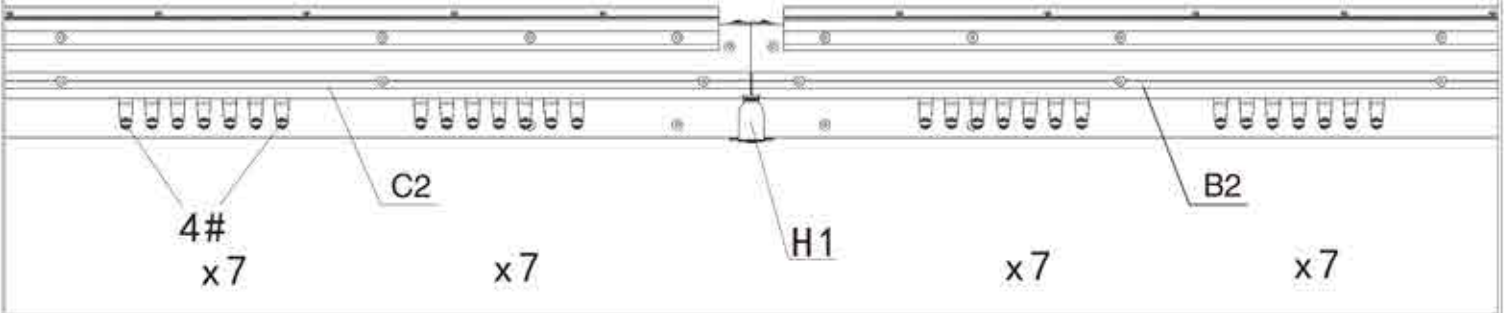
H1 x4



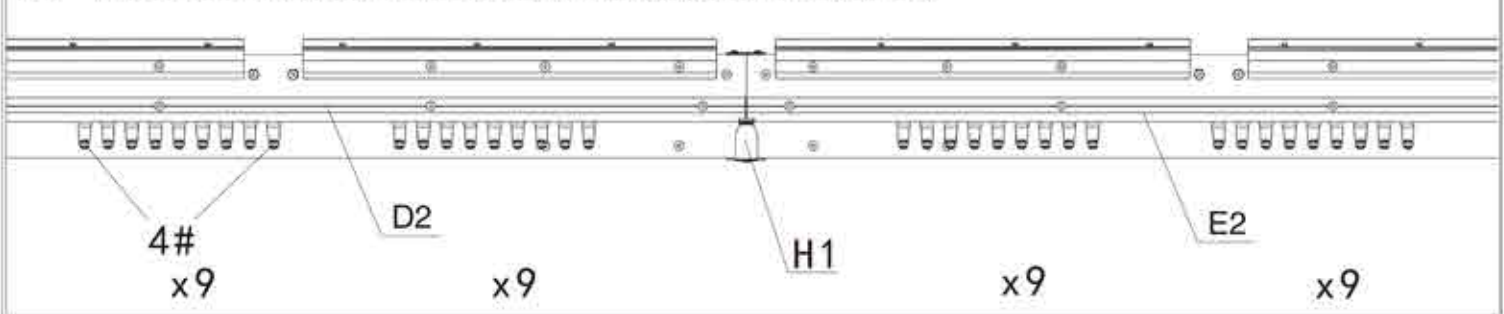
After finish hooks into tracks,
then put H1 to lock them.



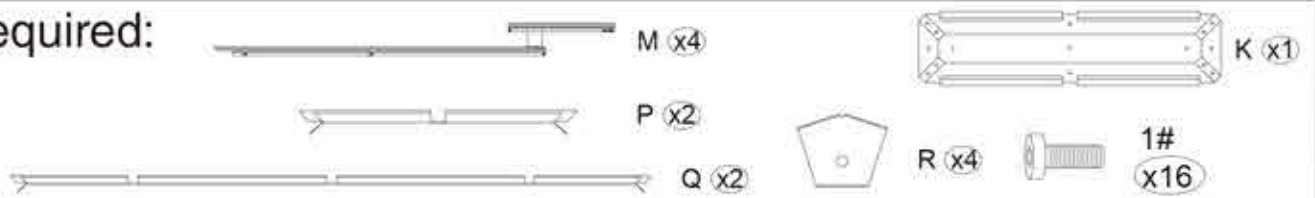
① Put 7 hooks to each slot of sidewall track (part C2&Part B2)



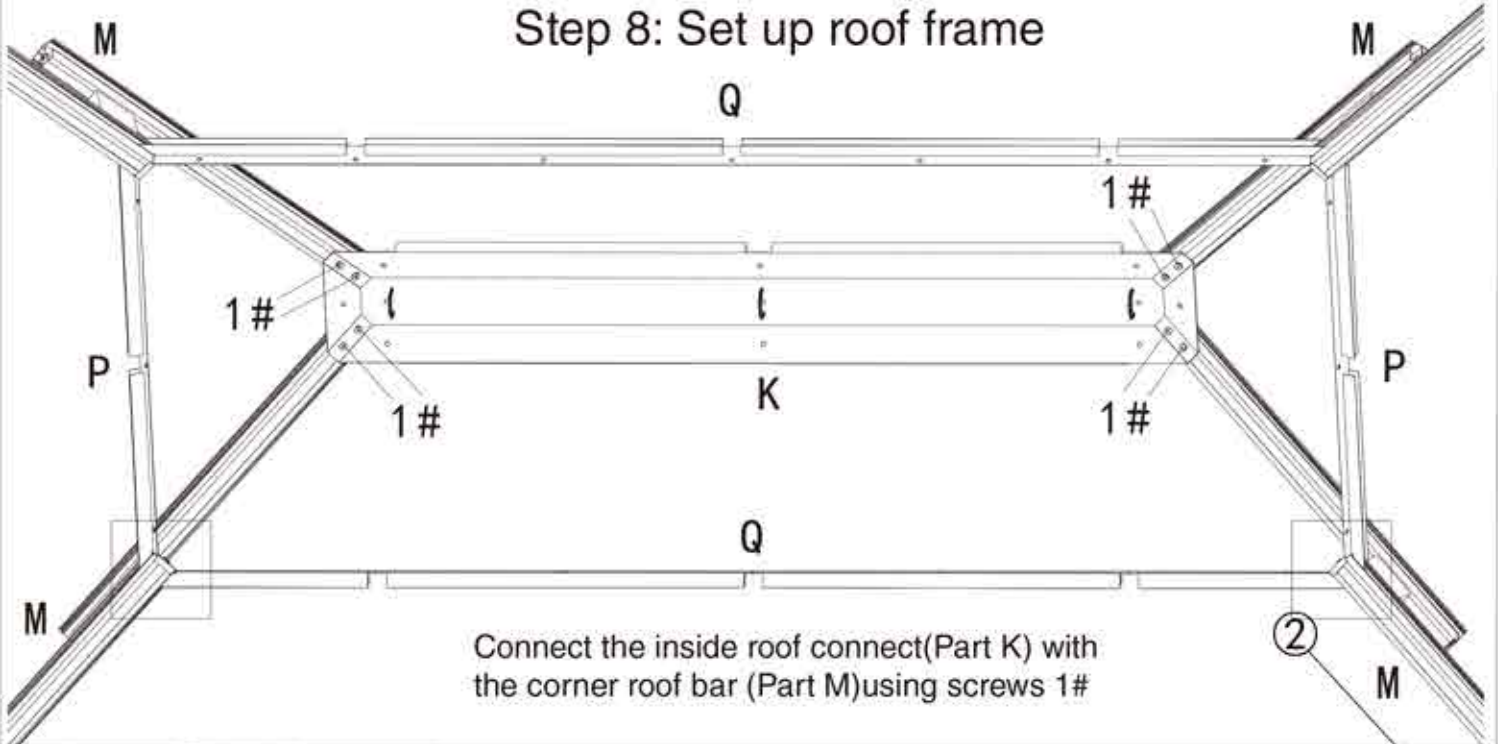
② Put 9 hooks to each slot of sidewall track (part E2&Part D2)



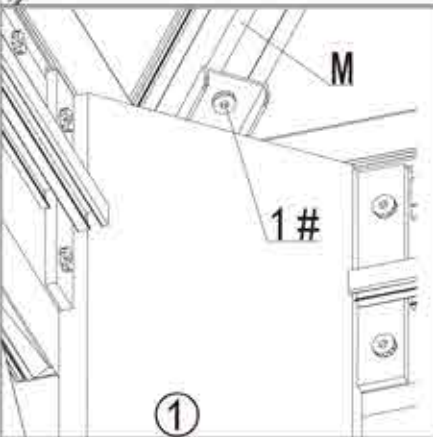
Parts Required:



Step 8: Set up roof frame



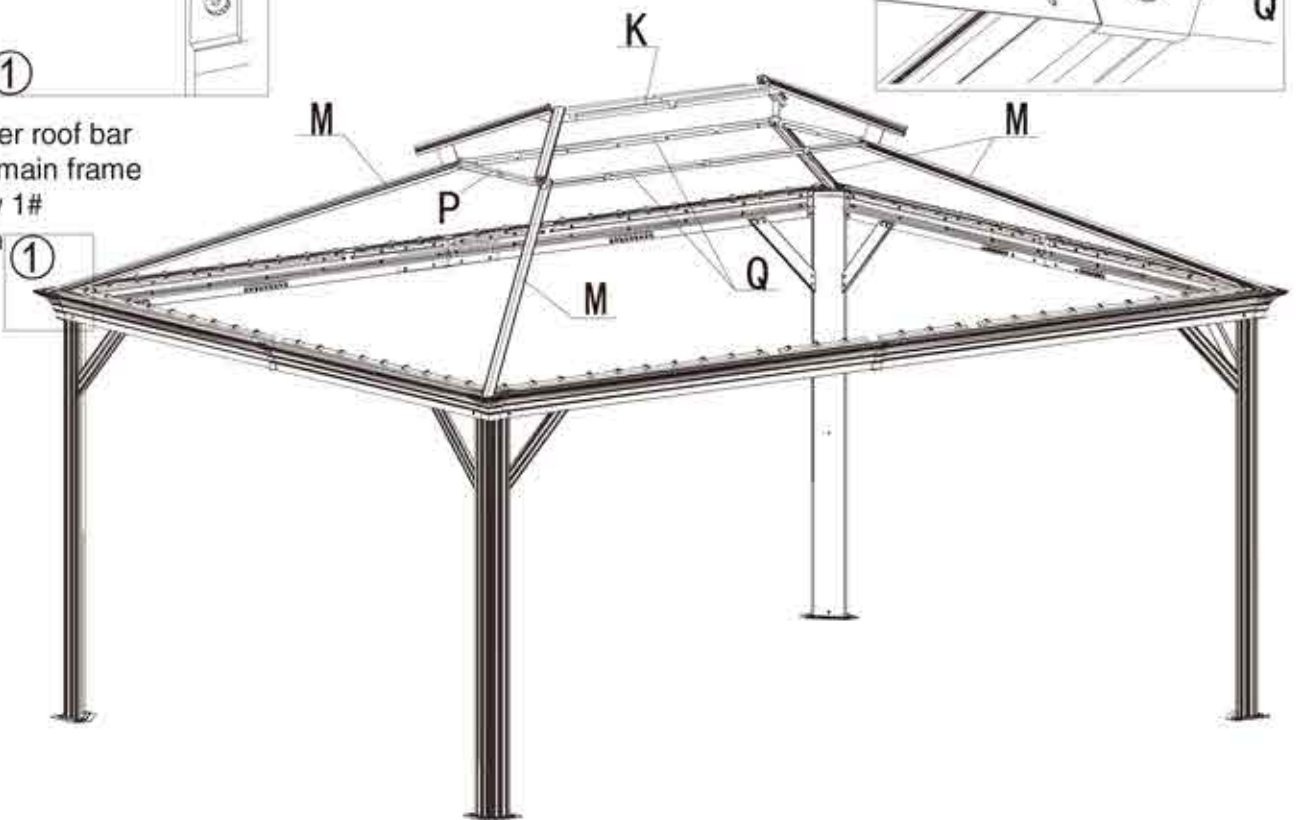
Connect the inside roof connect (Part K) with the corner roof bar (Part M) using screws 1#



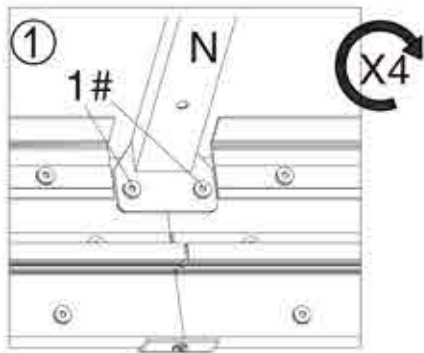
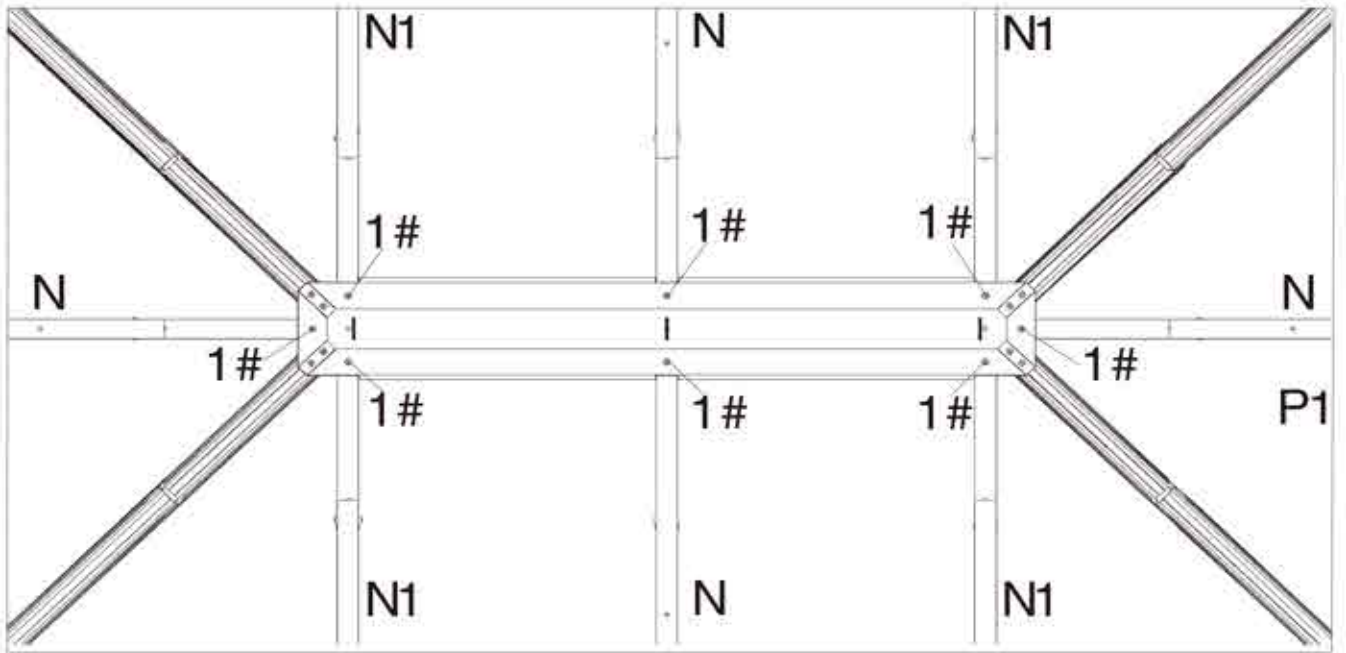
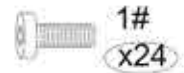
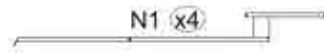
Attach finishing bar (Part P&Q) with finish end (Part R) using screws 1# to corner roof bar (Part M) as shown in diagram.



Attach corner roof bar (Part M) to main frame using screw 1# as shown in diagram

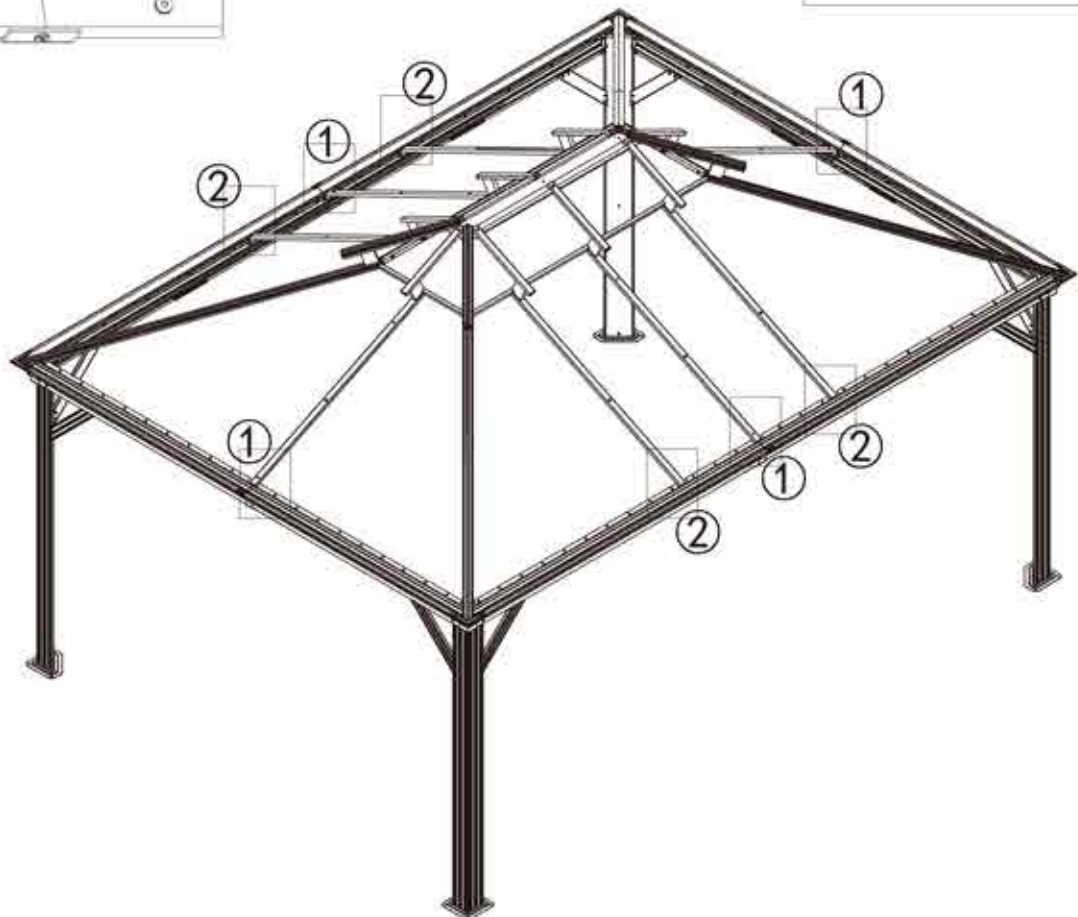
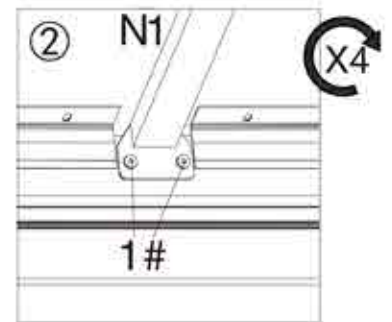


Parts Required:

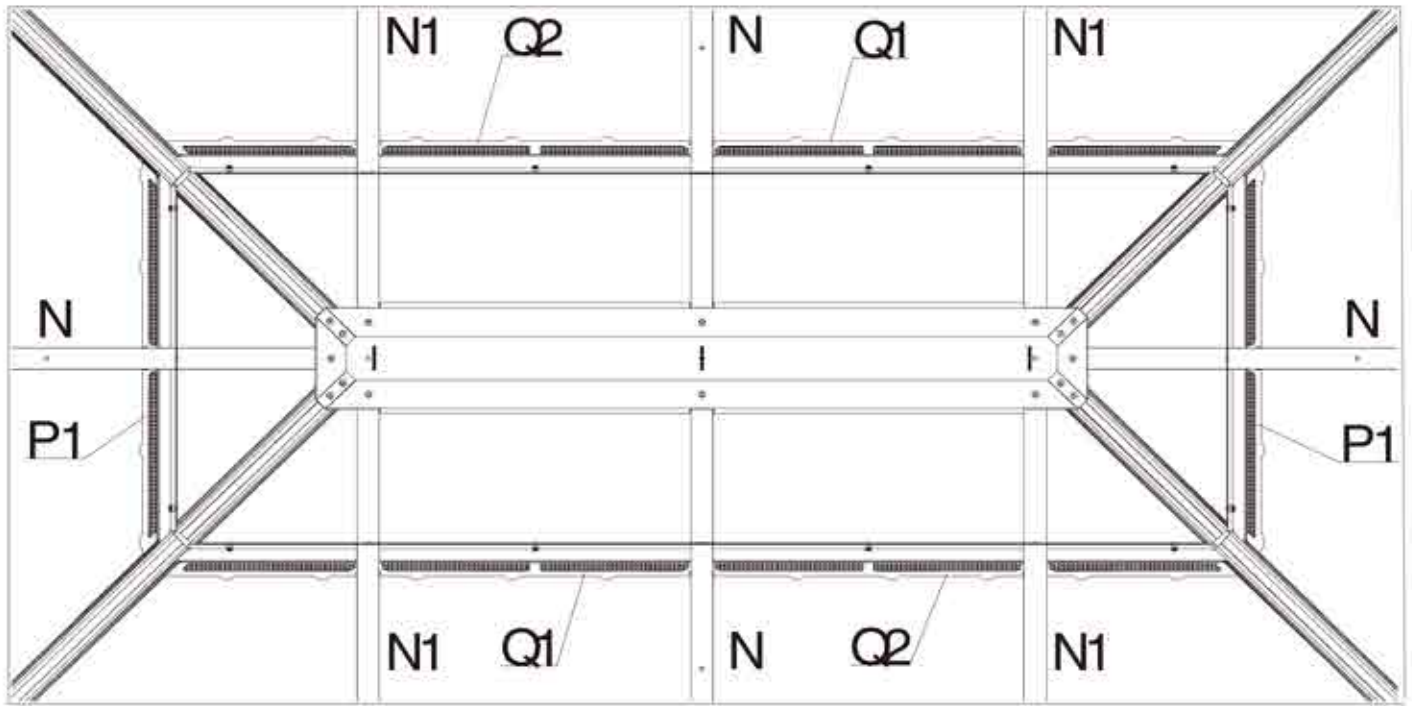
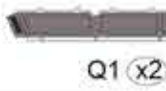
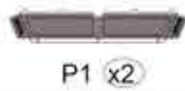


Step 9:

Attach roof bar (Part N&N1) to main frame using screw 1#.

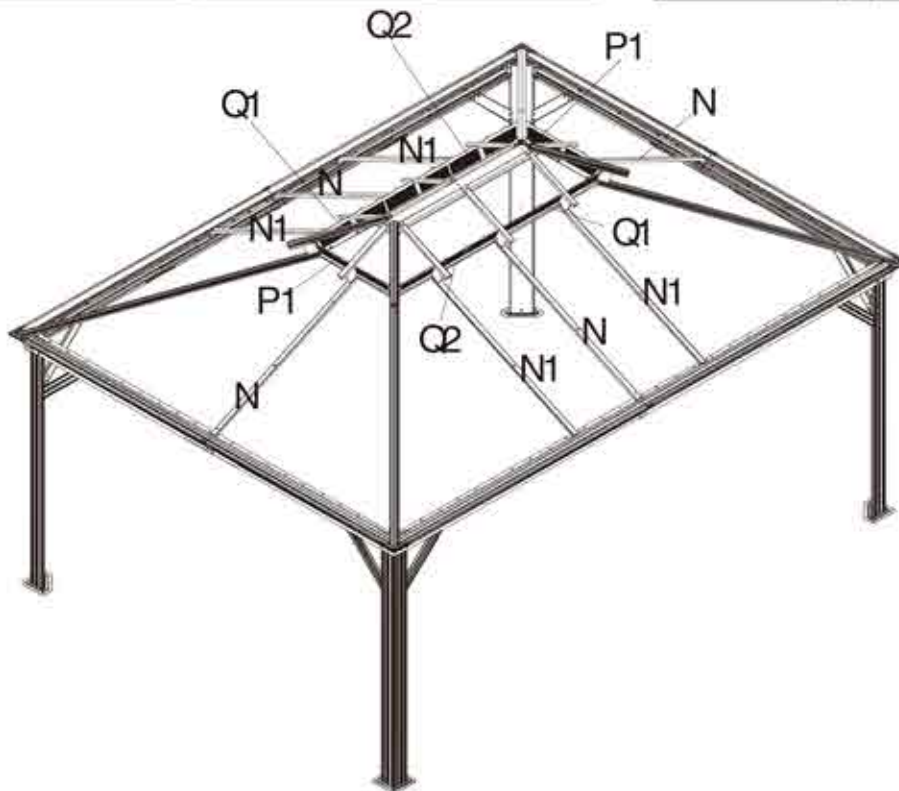
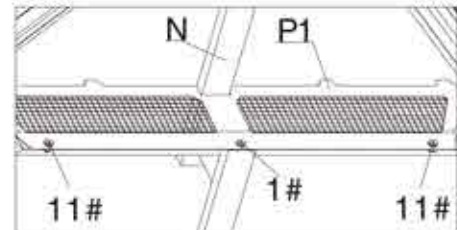
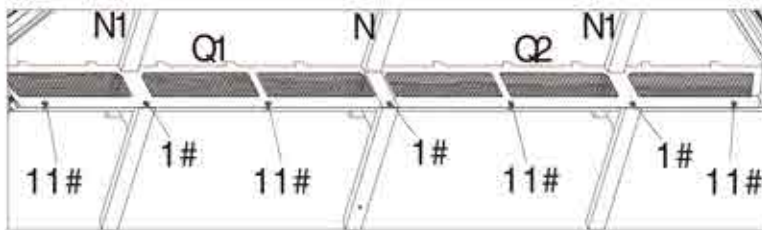


Parts Required:



Step 10:

Attach net frames (Part P1,Q1&Q2) to finishing bars (Part P &Q) using screws 1#&11# as shown in diagram.



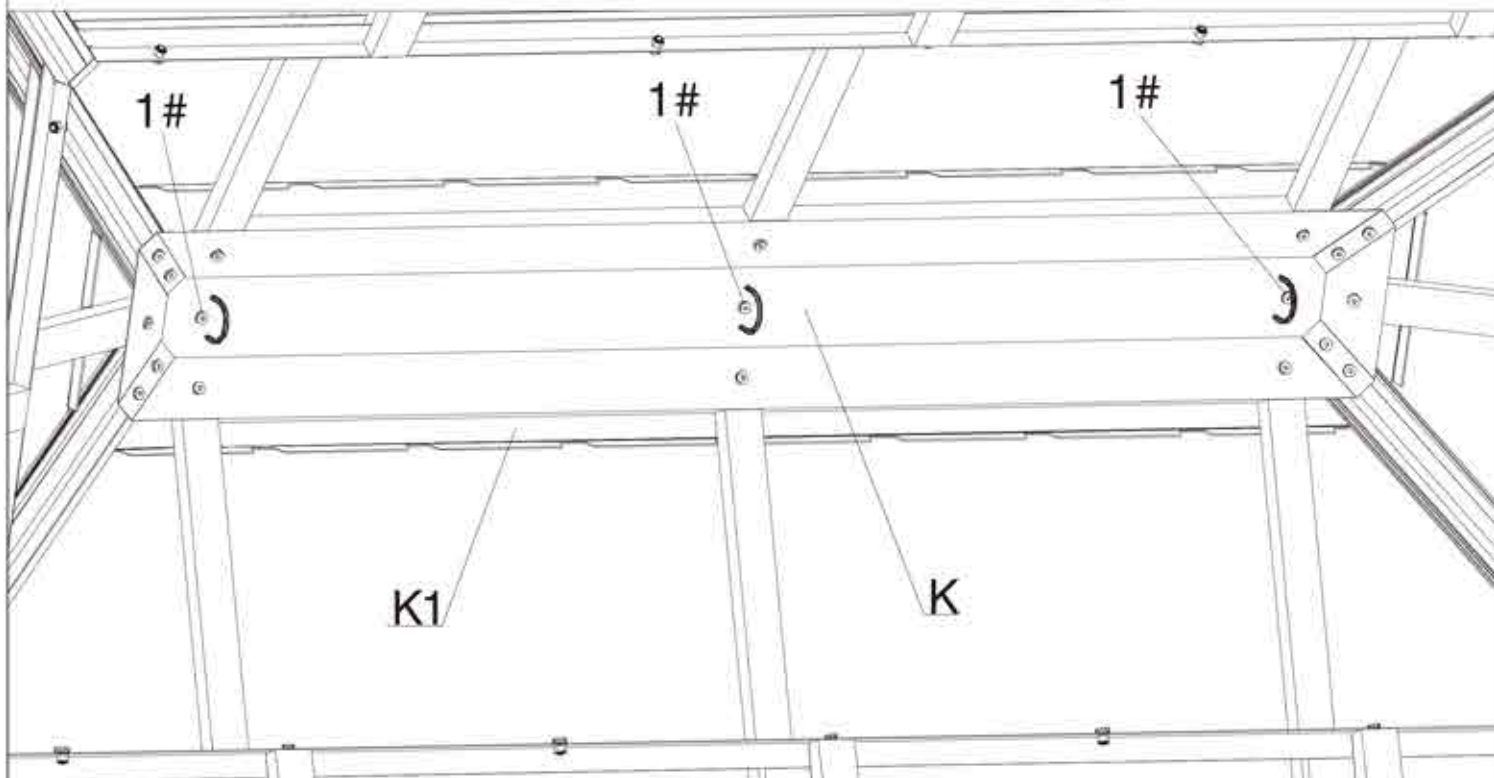
Parts Required:



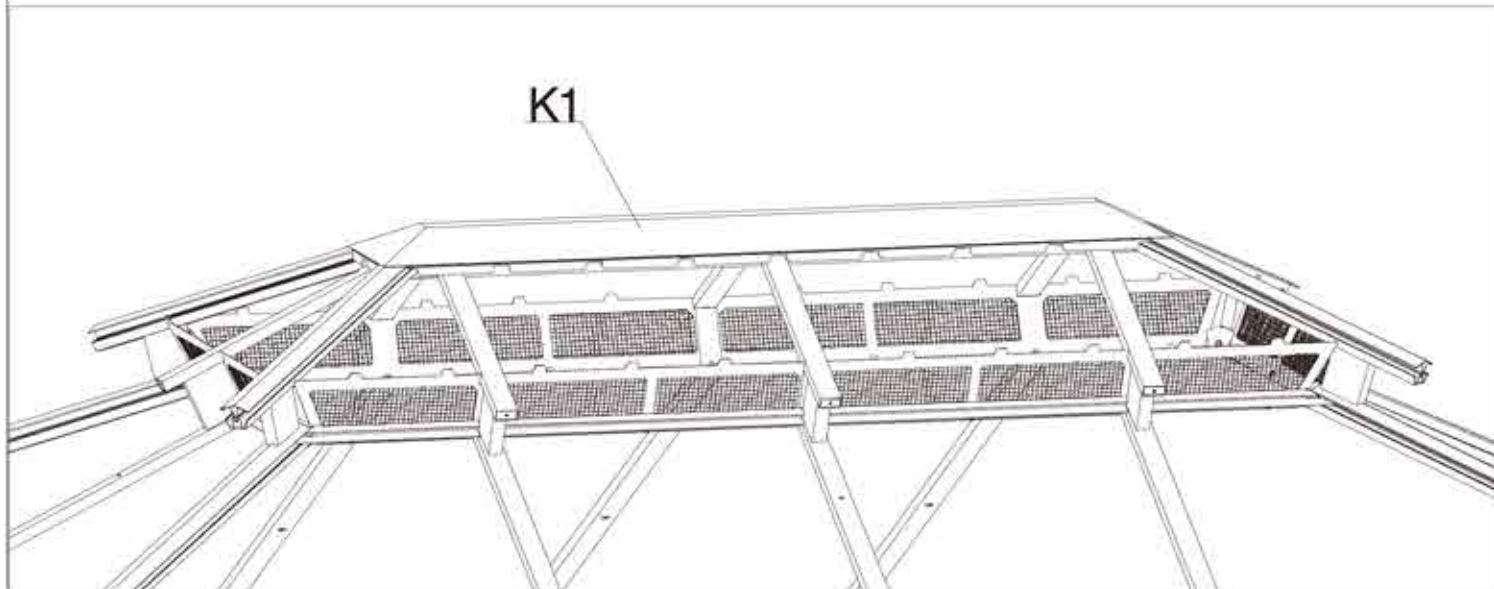
K1 (x1)



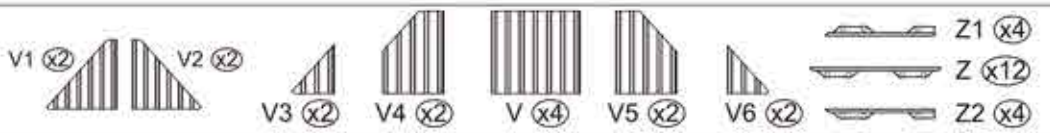
1#
(x3)



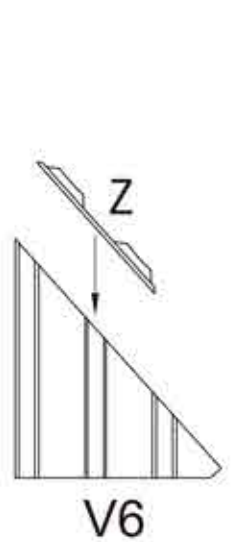
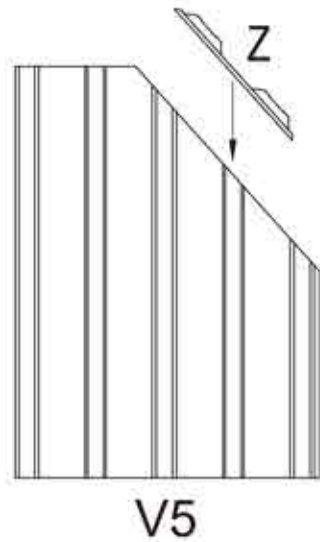
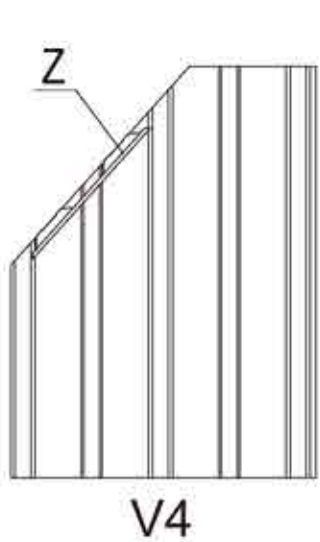
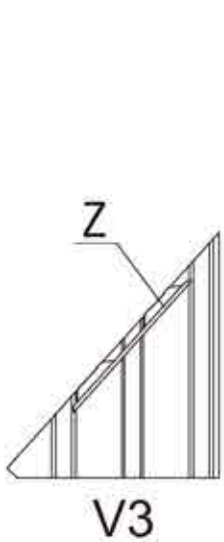
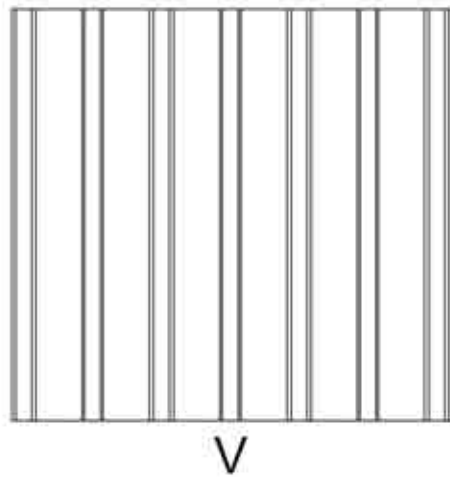
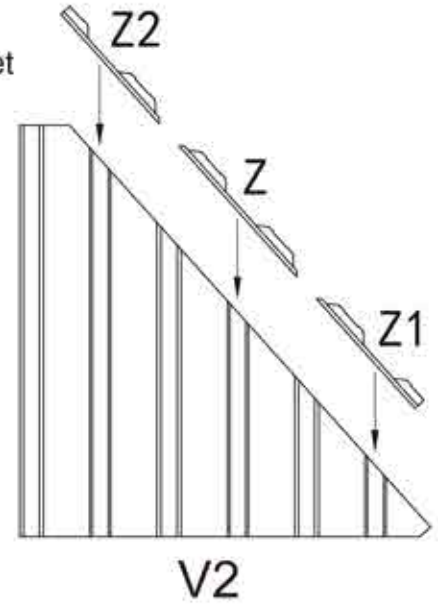
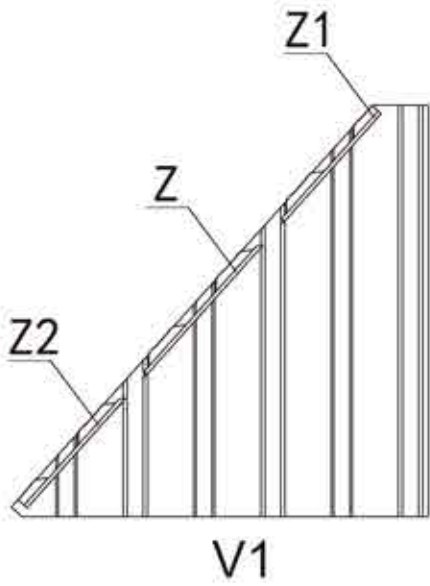
Step 11: Connect outside roof connector (Part K1) to inside roof (Part K) using screw 1# as shown in diagram.



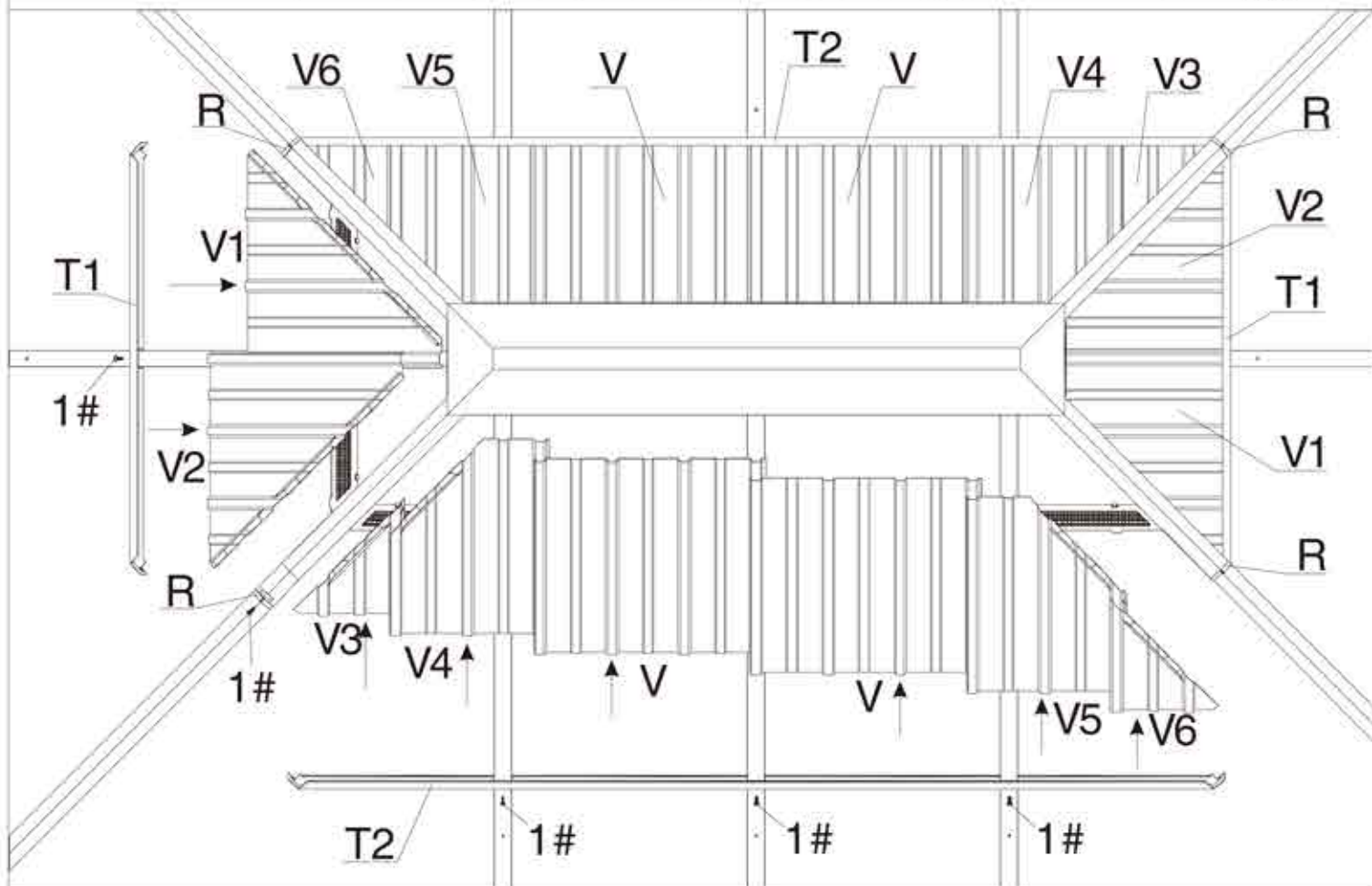
Parts Required:



Step 12: Cover metal bracket (Part Z,Z1,Z2) to roof panels as shown in diagram.

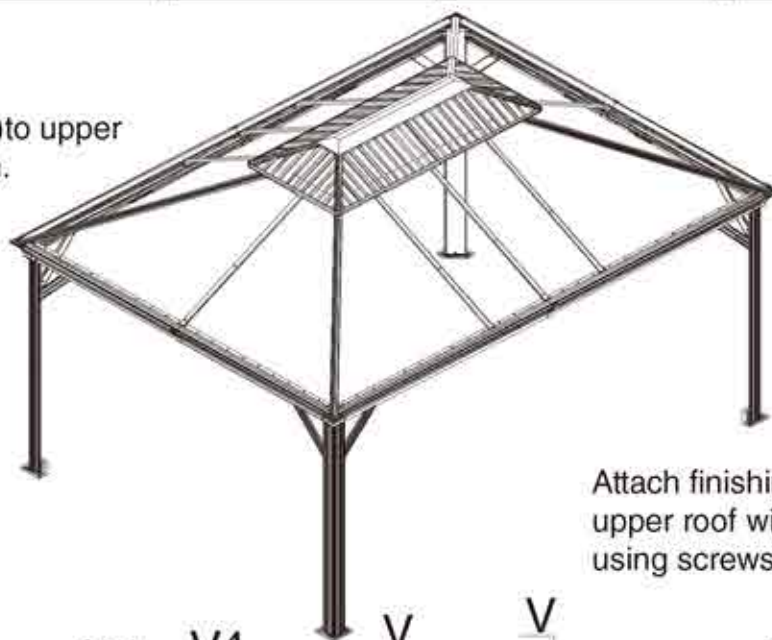


Parts Required: T1 (x2) T2 (x2) R (x4) 1# (x12)

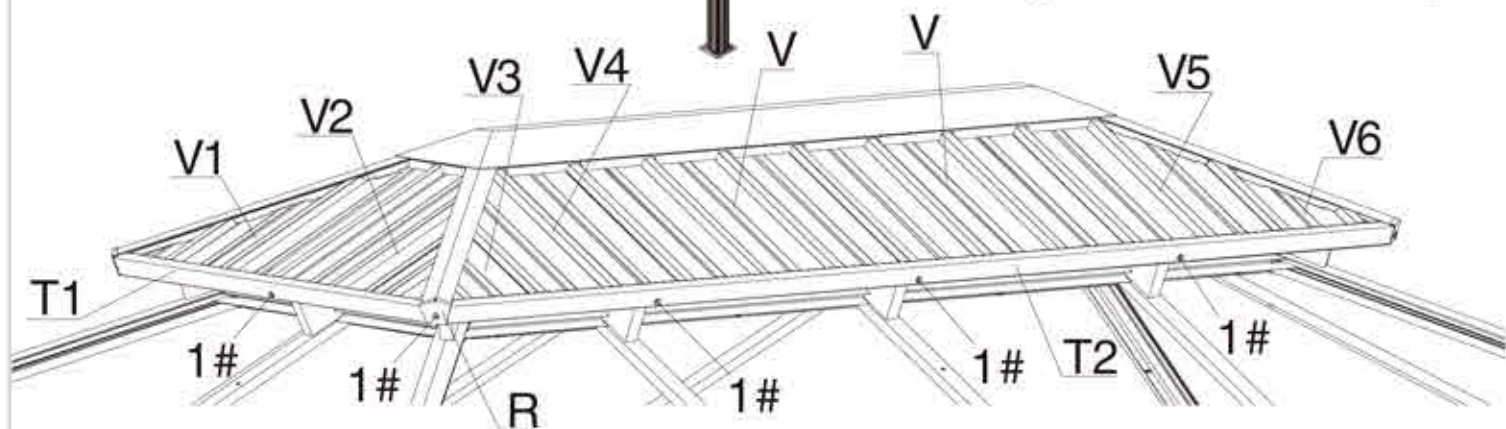


Step 13:

Push the roof panels (Part v1,v2,v3,v4,v5,v6) to upper roof as shown in diagram.



Attach finishing bar (Part T1&T2) to upper roof with finish end (Part R) using screws 1# as shown in diagram.



Parts Required:

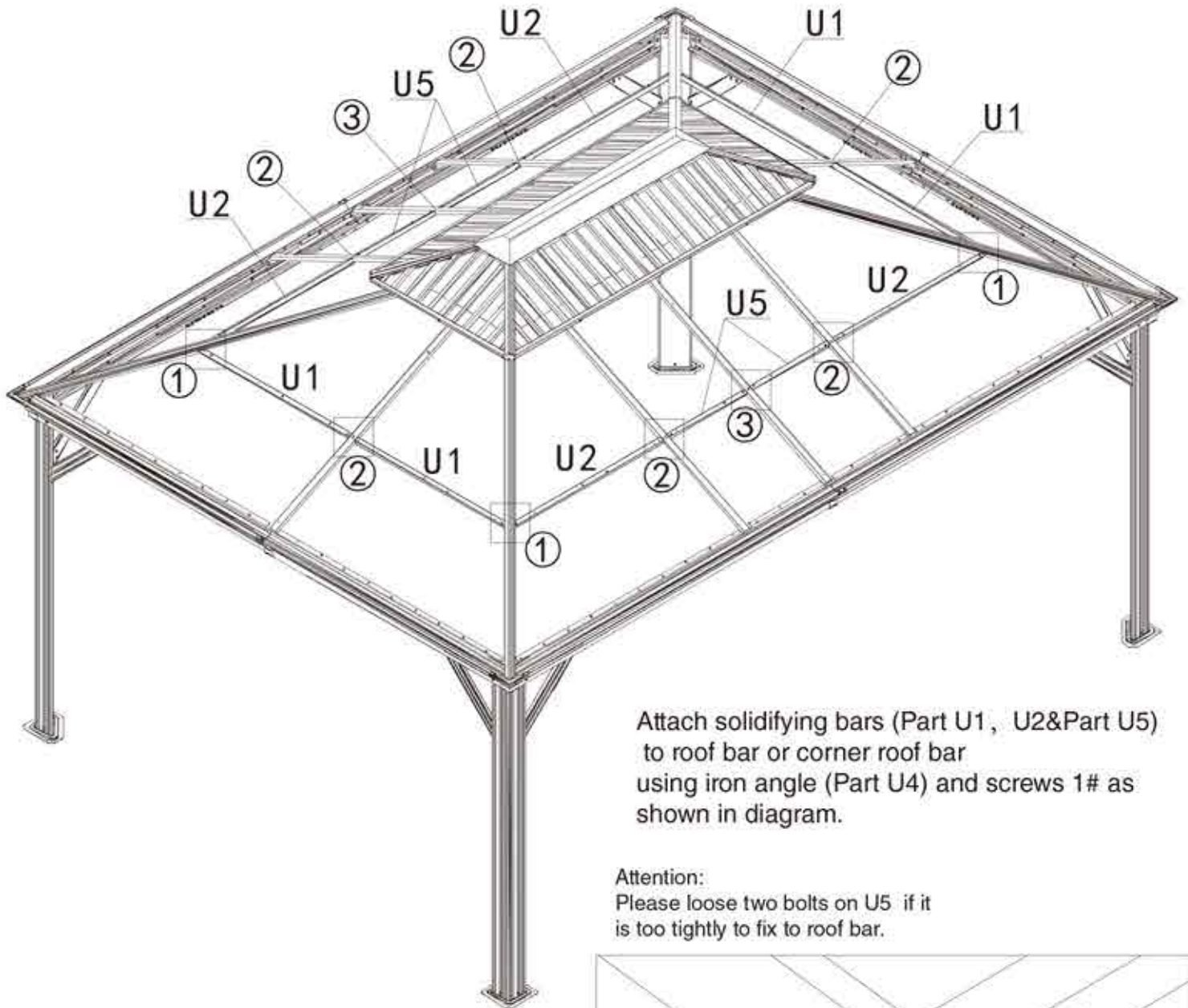
U1 (x4)

U2 (x4)
U5 (x2)

U3 (x4)

U4 (x6)

1# (x32)

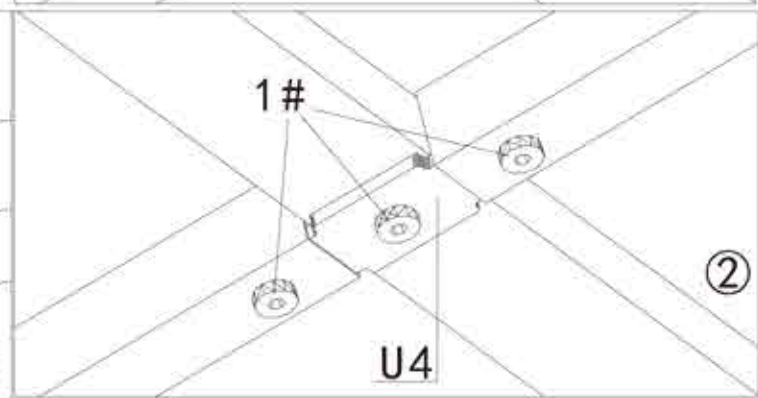
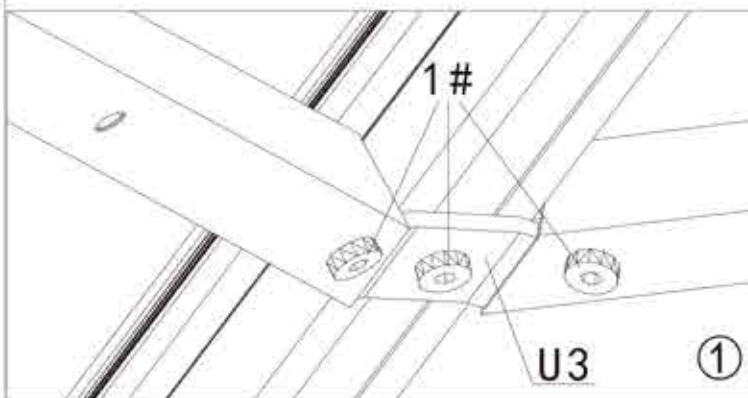
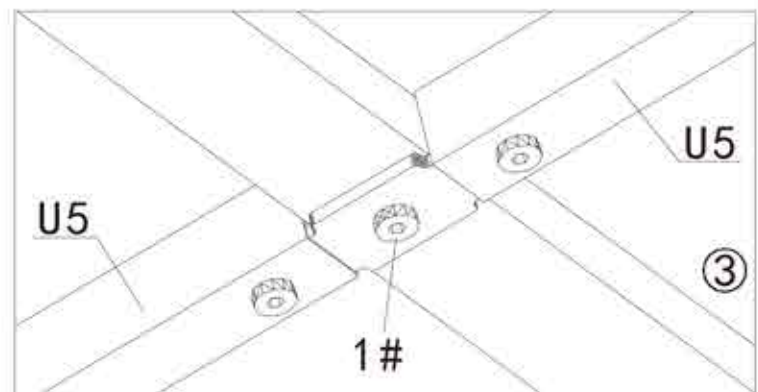


Attach solidifying bars (Part U1, U2&Part U5) to roof bar or corner roof bar using iron angle (Part U4) and screws 1# as shown in diagram.

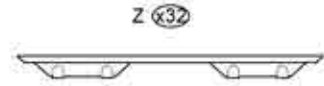
Attention:
Please loose two bolts on U5 if it is too tightly to fix to roof bar.

Step 14:

Affix solidifying bars to corner bar using iron angle (Part U3) and screw 1# as shown in diagram.

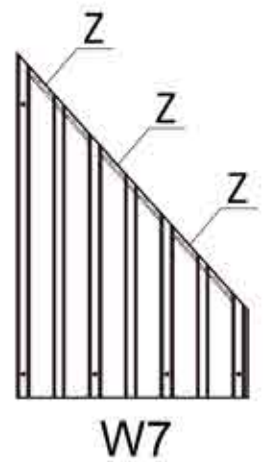
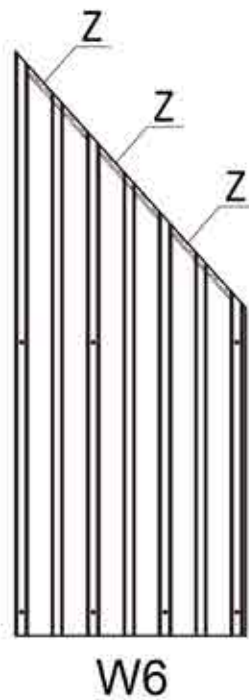
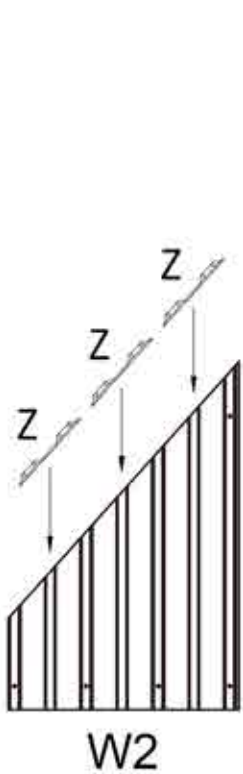
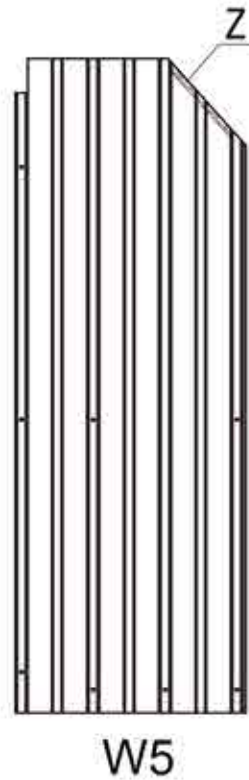
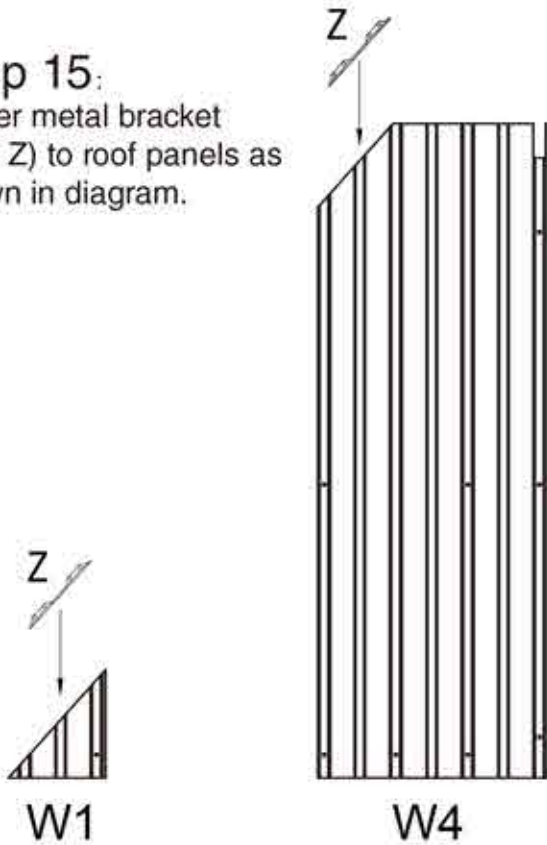


Parts Required:

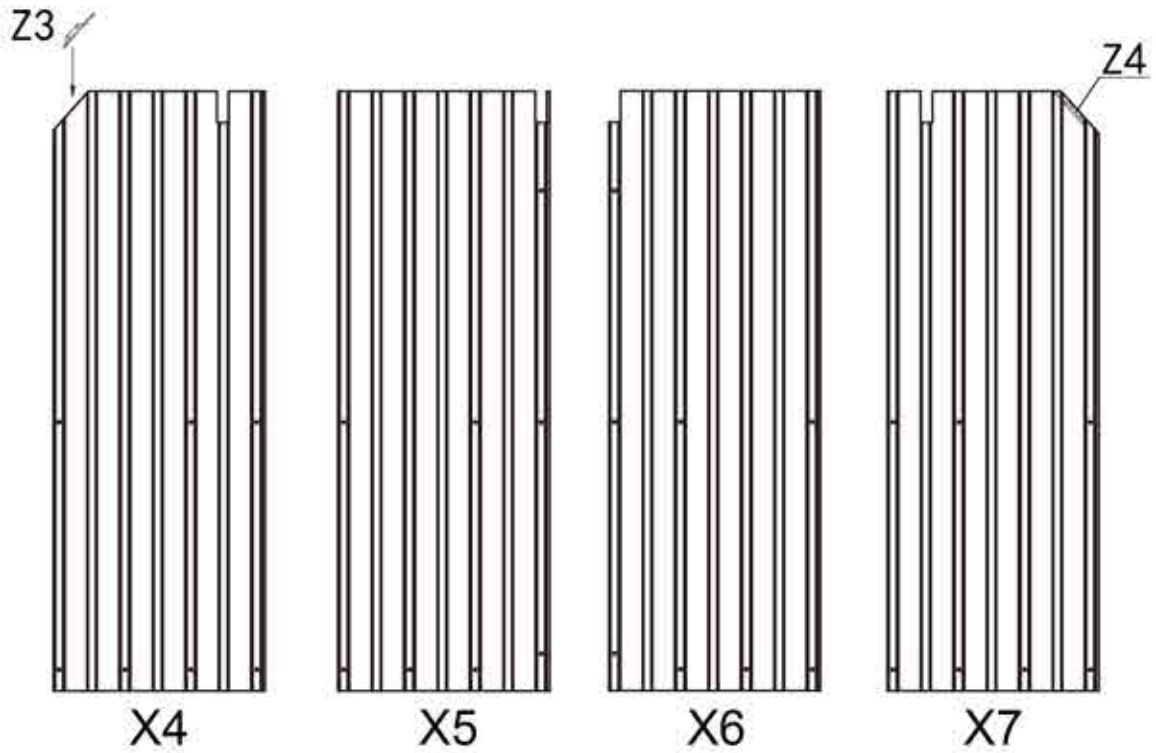
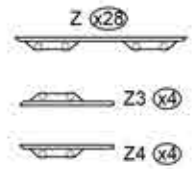
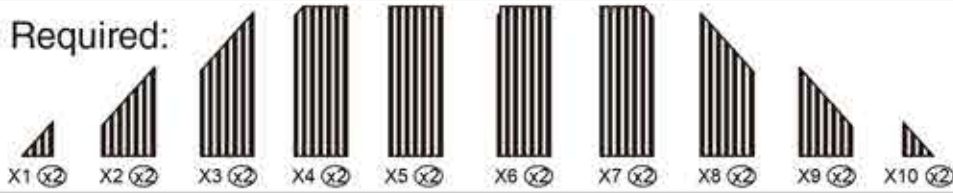


Step 15:

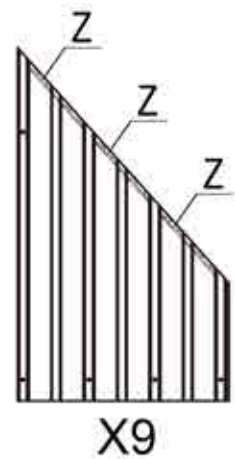
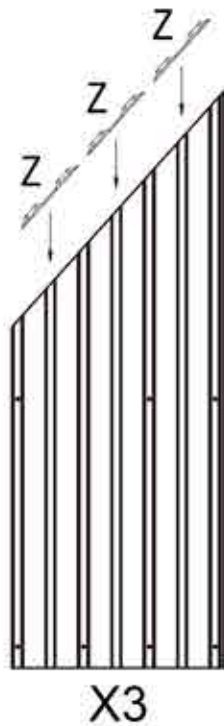
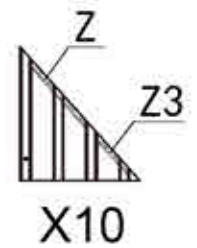
Cover metal bracket (Part Z) to roof panels as shown in diagram.



Parts Required:

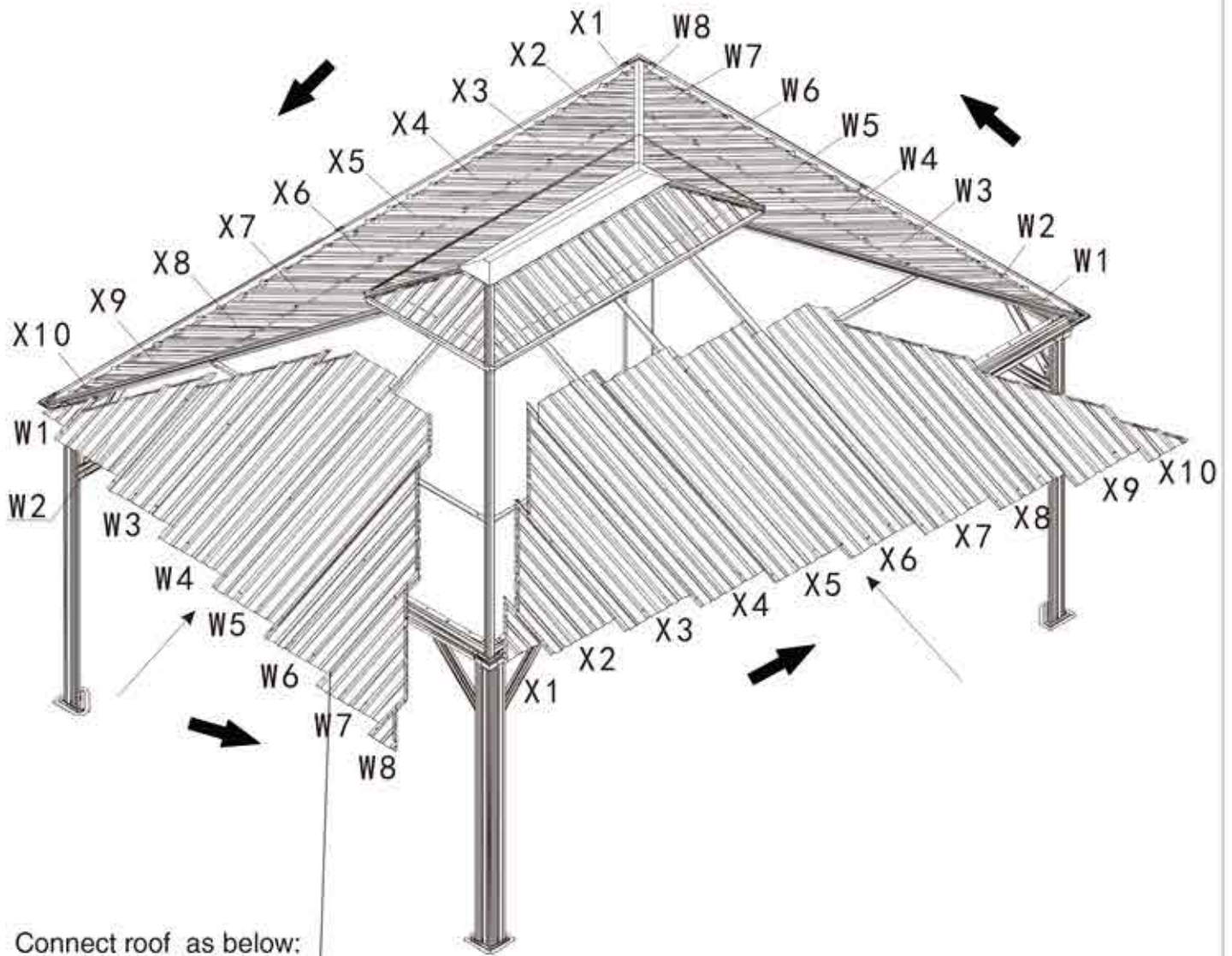


Step 16:
Cover metal bracket
(Part Z,Z3,Z4) to roof panels as
shown in diagram.

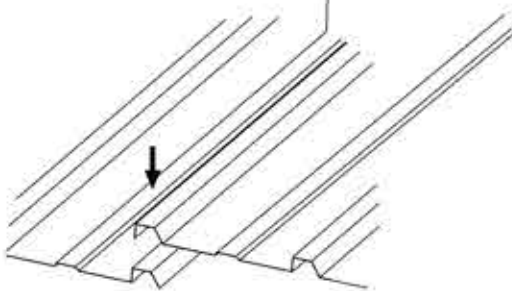


Overall roof assembly:

Please put the panels on the frame anti-clockwisely



Connect roof as below:



Parts Required:

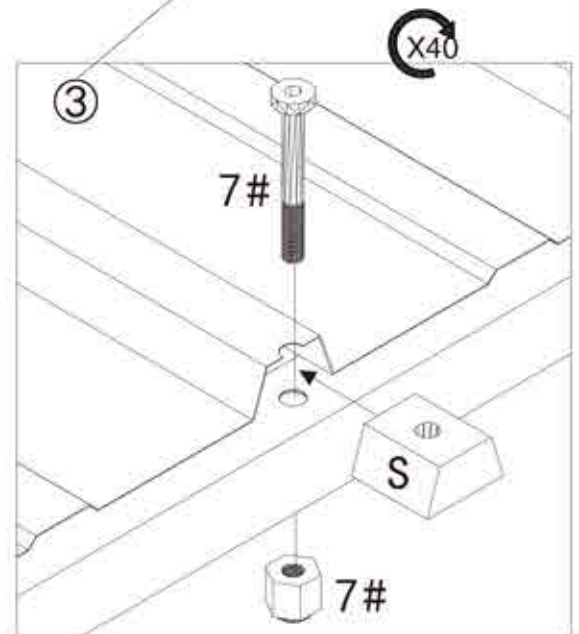
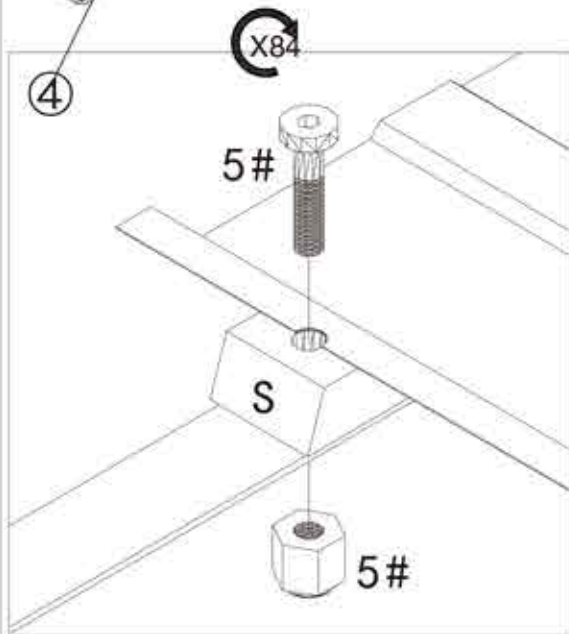
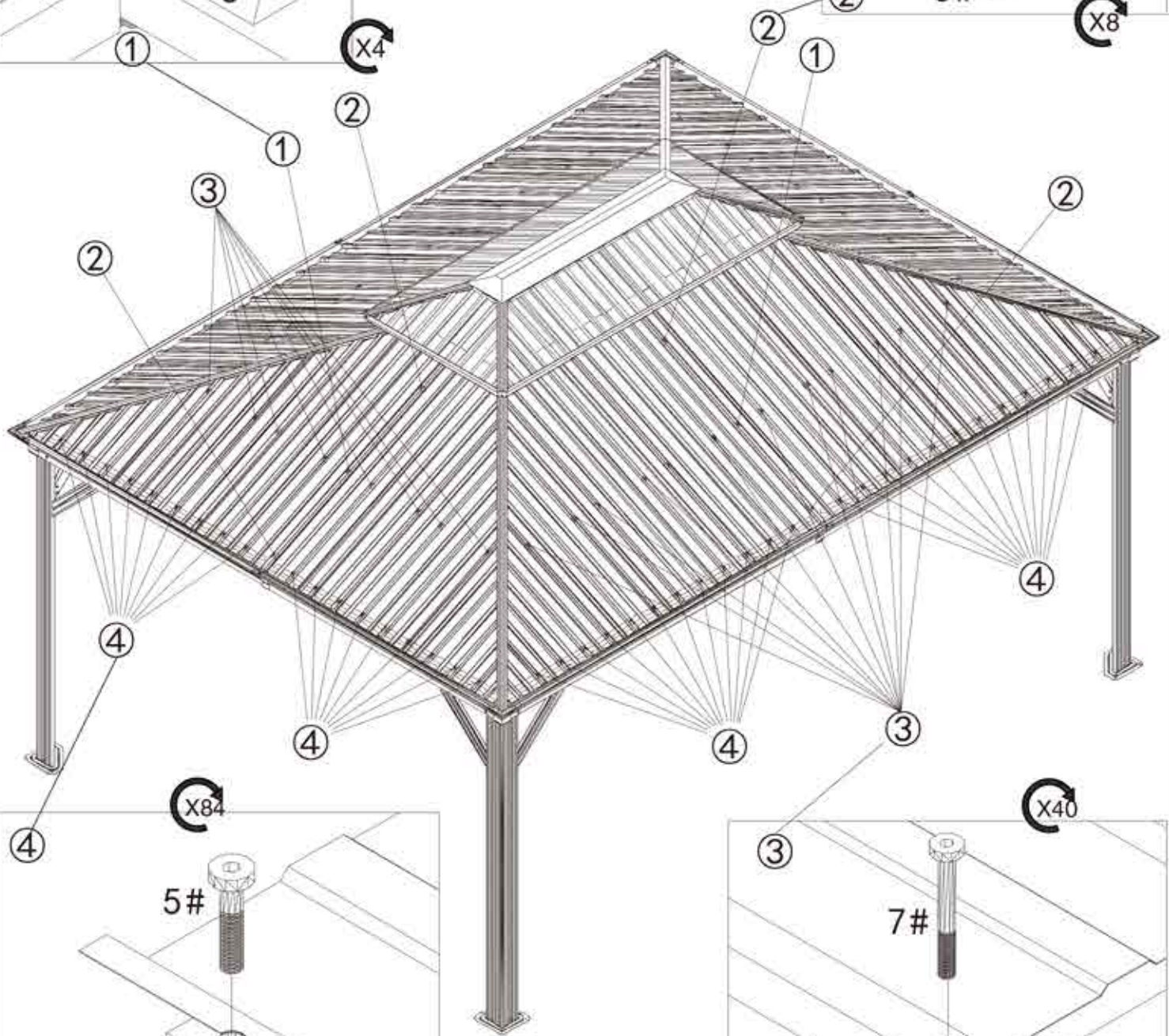
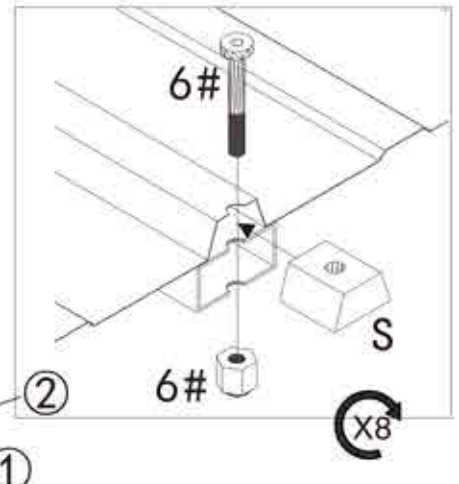
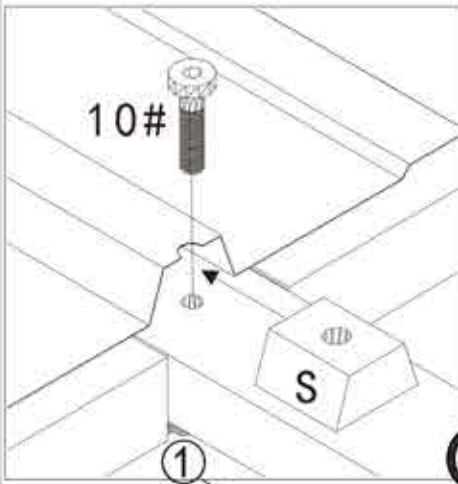


Step 17:

Affix roof panels using screws and spacers (Part S) as shown in diagram.

Attention:

Put on one roof panel and fasten it accordingly before attaching second roof panel.



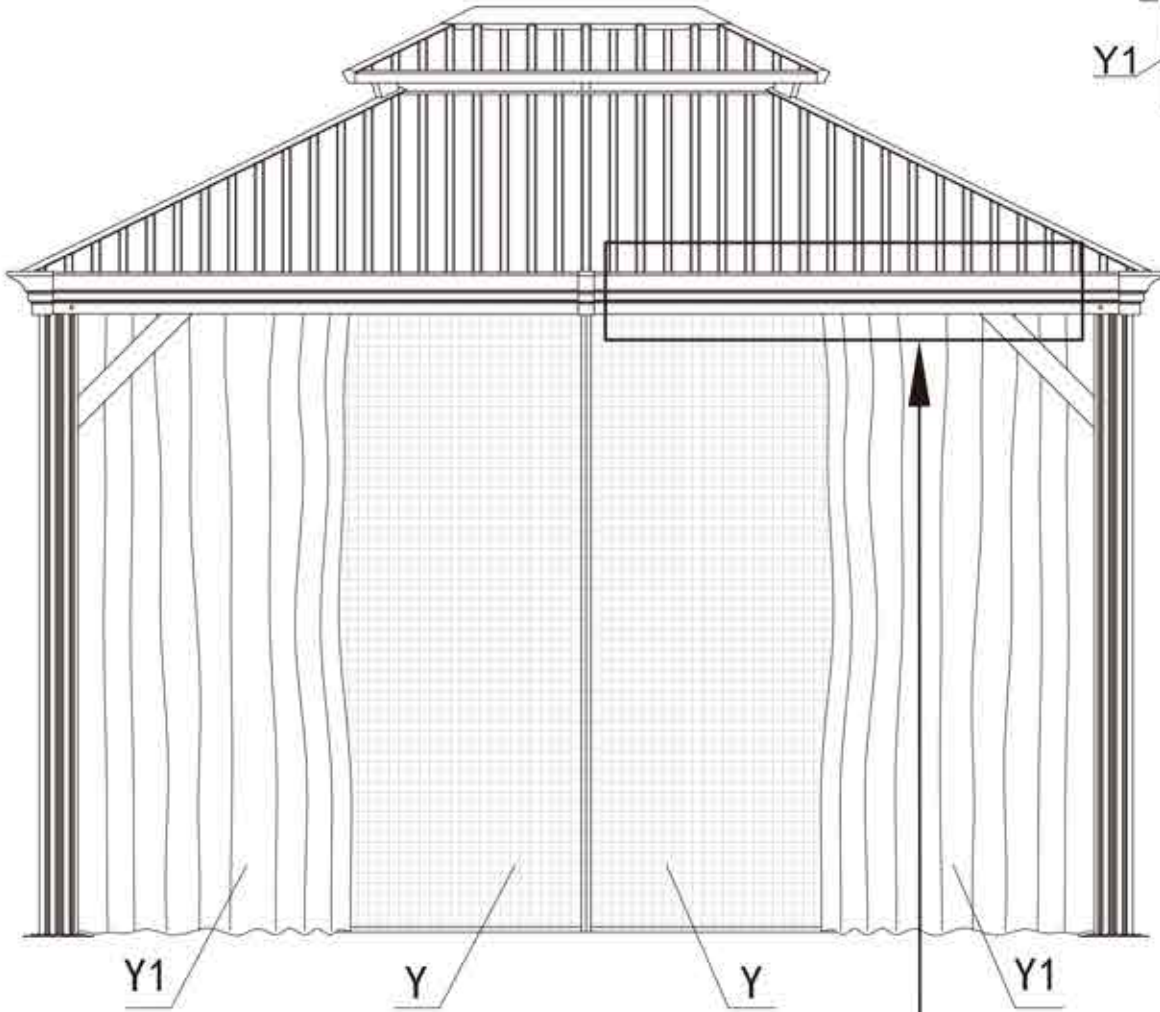
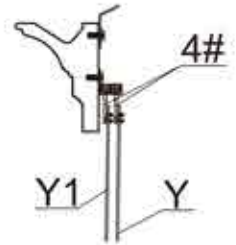
Parts Required:



Y (x4)

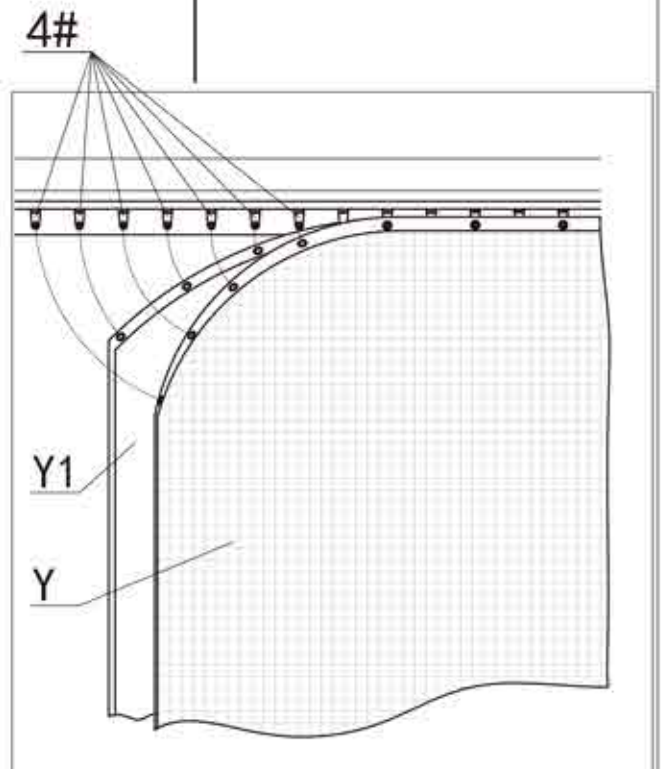
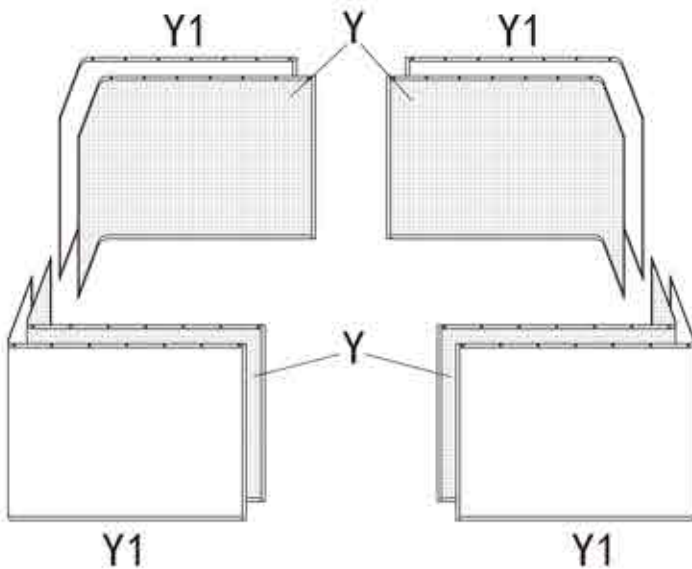


Y1 (x4)

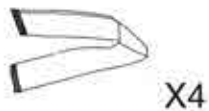


Step 18:

Hang up mosquito sidewalls and solid sidewalls as shown in diagram.



Parts Required:

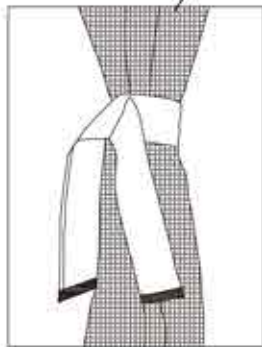


Step 19:

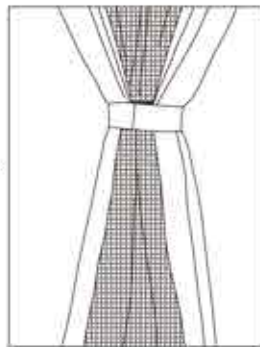
When you close the curtain, please tie fabric strape to fix with poles as shown in diagram.



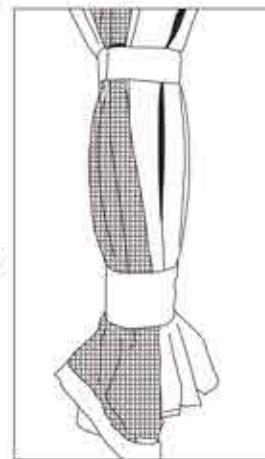
There are three ways to secure your netting and curtains to the legs using the include 4 ties :



1.) Securing just the netting.



2.) Securing netting and curtains.



3.) Use all ties for winding conditions.

In the end, Check all screws are fixed tightly before using.



Enjoy Cozy Life!

SUPPORT:

Toll free: 1-866-355-0018

www.kozyard.com

email: support@kozyard.com

SOCIAL MEDIA:



Follow us on Instagram

www.instagram.com/kozyard

Upload a picture of your Kozyard product in your home, with the hashtag #kozyard to receive \$20 Kozyard Gift Card.

Kozyard LLC
2825 80th AVE SE, Suite 202
Mercer Island, WA 98040