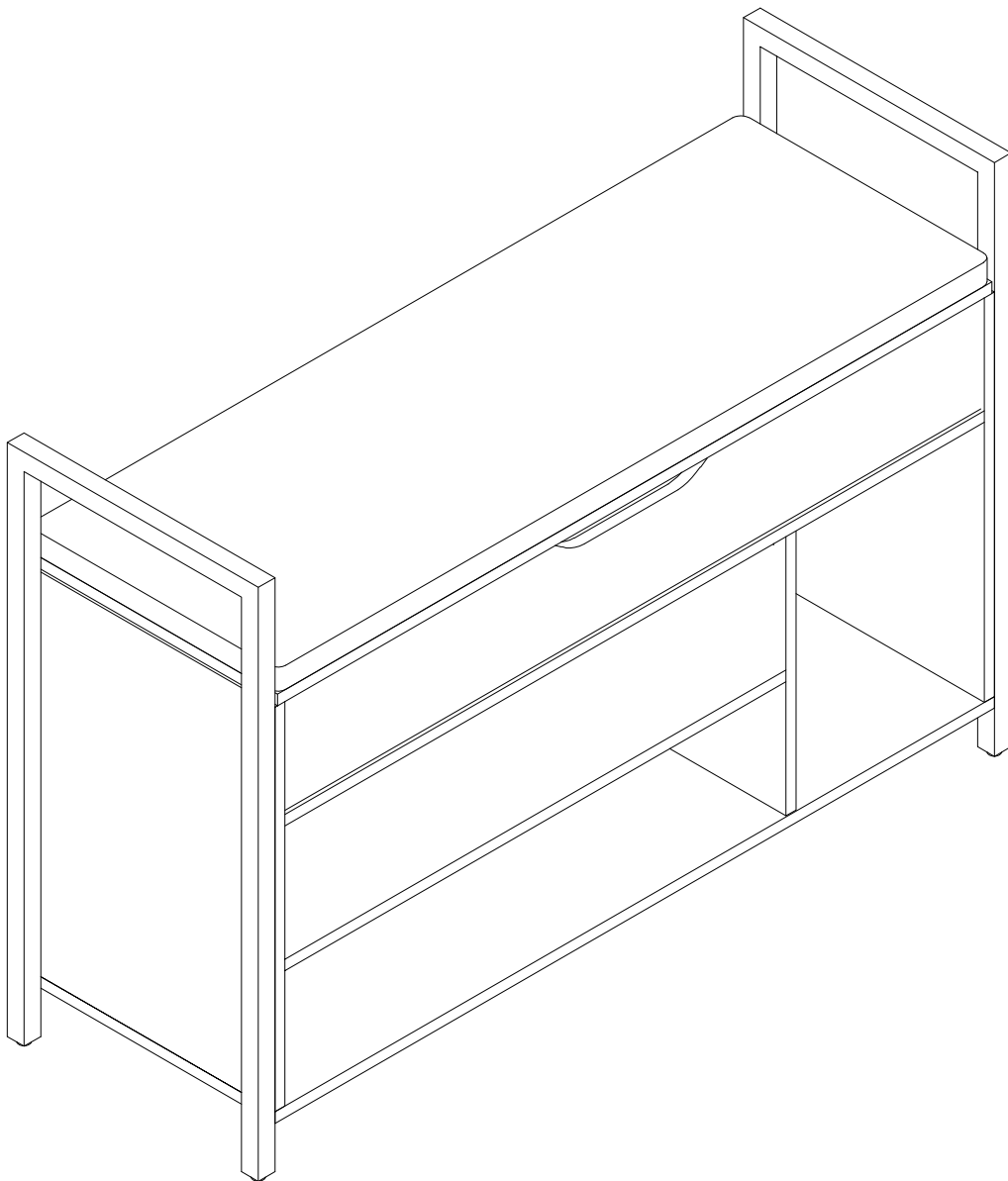
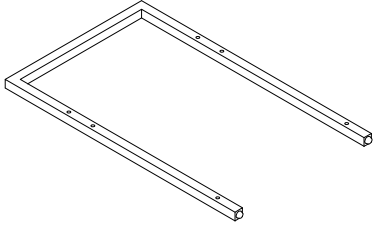


# Installation Instruction

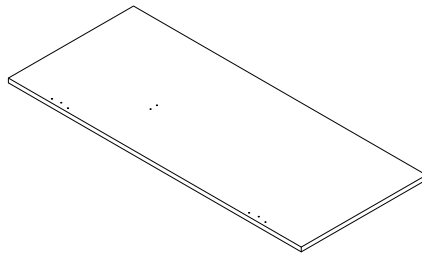
Please don't tighten the screws completely and go back later for a final tightening of all the screws after pieces are aligned with each other.



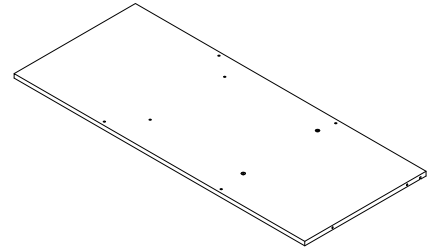
# HARDWARE LIST



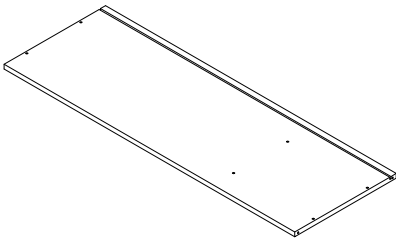
① × 2PS



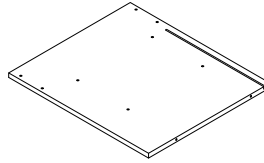
② × 1PS



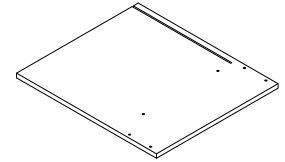
③ × 1PS



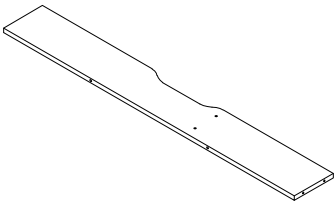
④ × 1PS



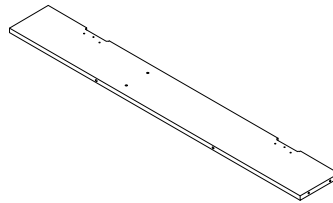
⑤ × 1PS



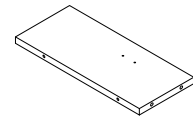
⑥ × 1PS



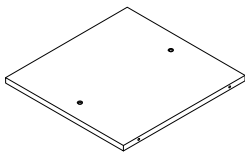
⑦ × 1PS



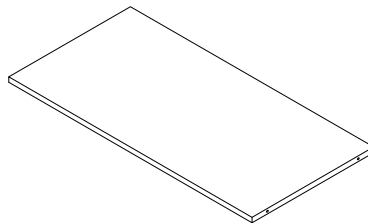
⑧ × 1PS



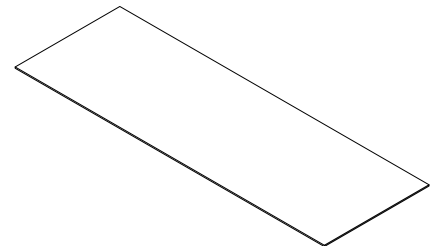
⑨ × 1PS



⑩ × 1PS

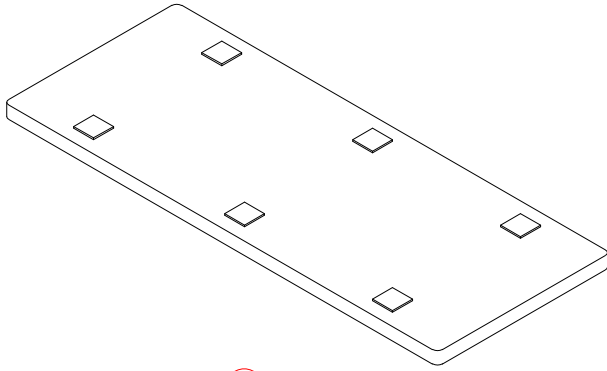


⑪ × 1PS



⑫ × 2PS

# HARDWARE LIST

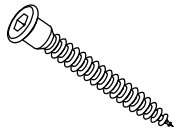


13×1PS

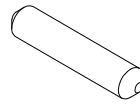
# PARTA LIST



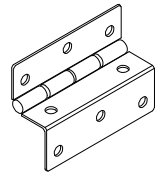
M4  
A×1PC



M5x45mm  
B×30PCS



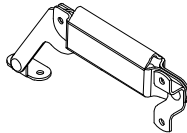
Ø6\*30mm  
C×8PCS



E×2PCS

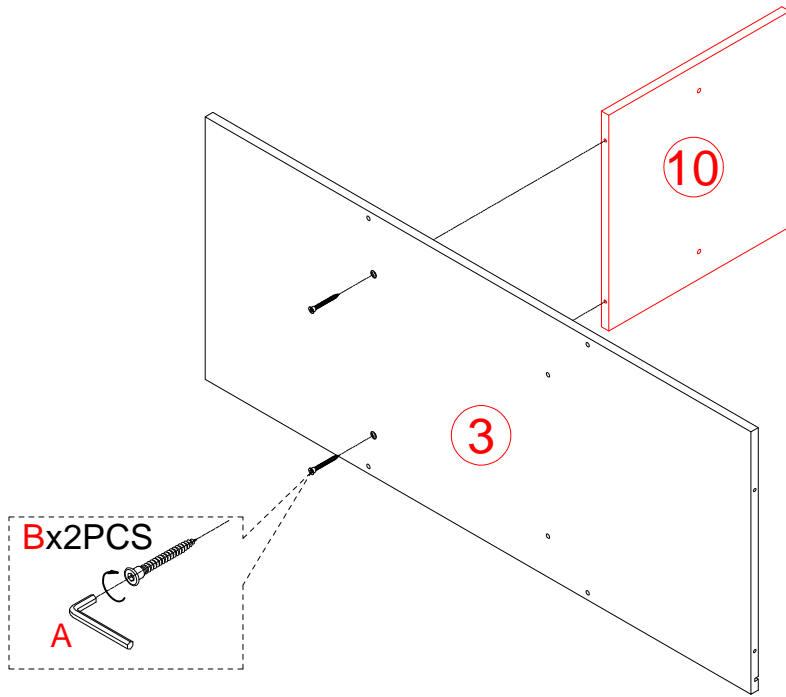


Ø7\*M3.5\*12mm  
F×16PCS



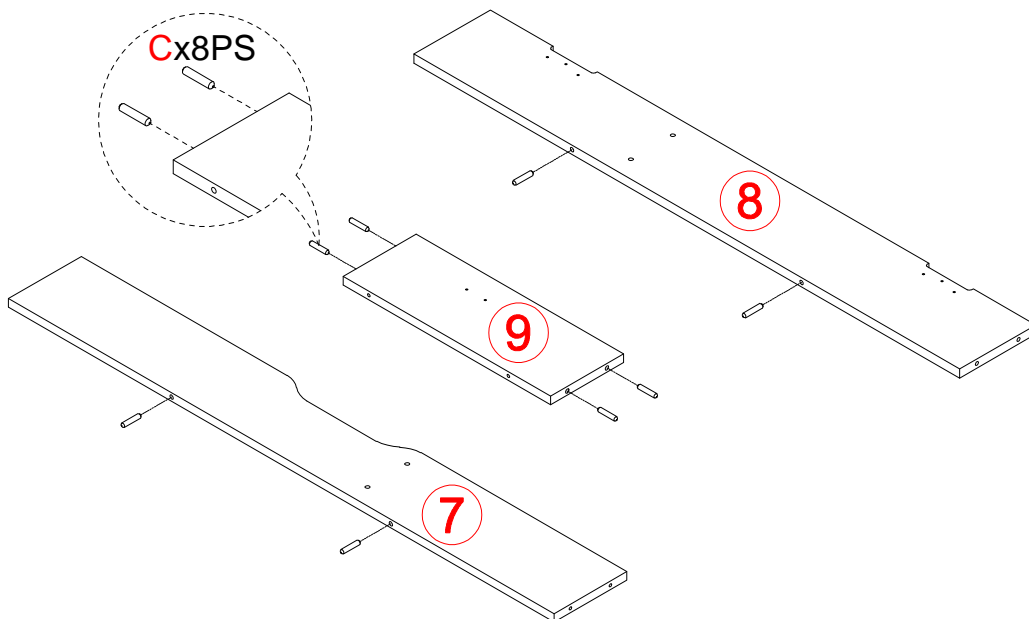
G×1PCS

1



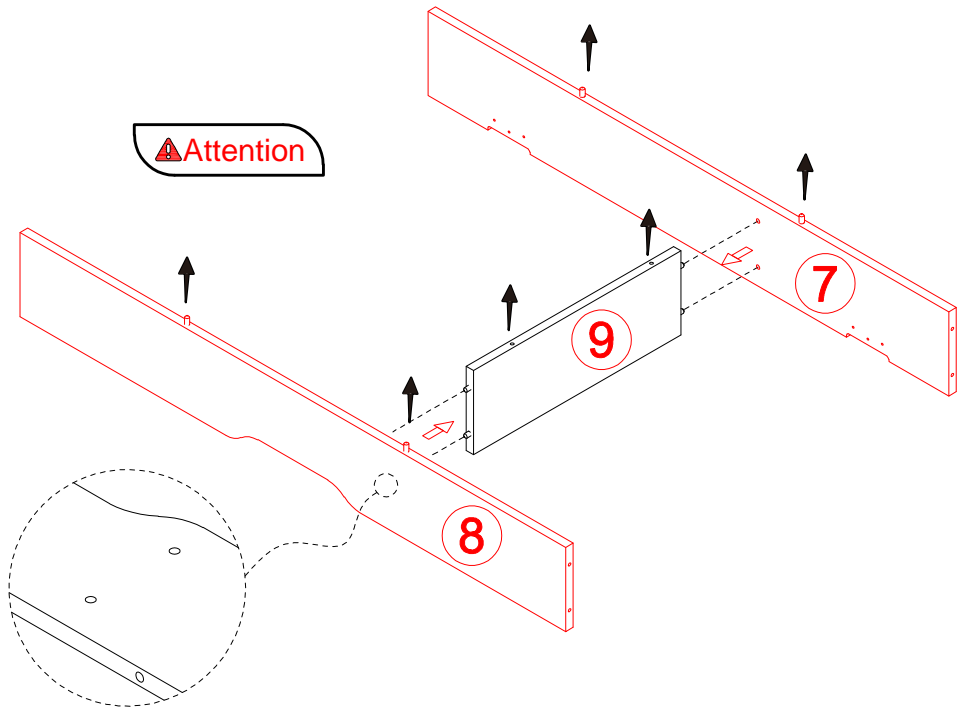
- Ax1PC
- Bx2PC
- ③ x1PC
- ⑩ x1PC

2



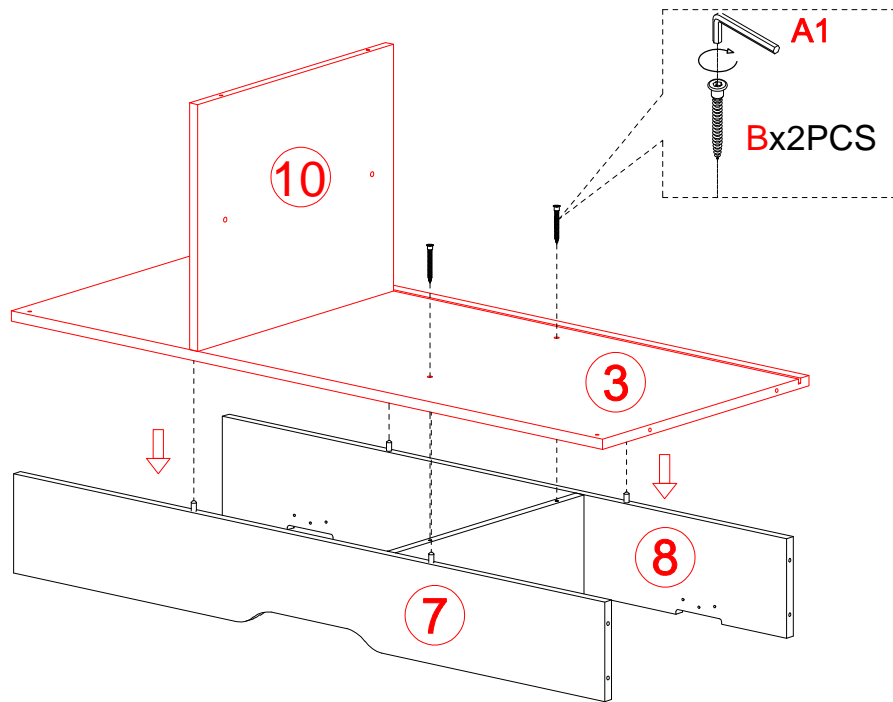
- Cx8PC
- ⑦ x1PC
- ⑧ x1PC
- ⑨ x1PC

# 3



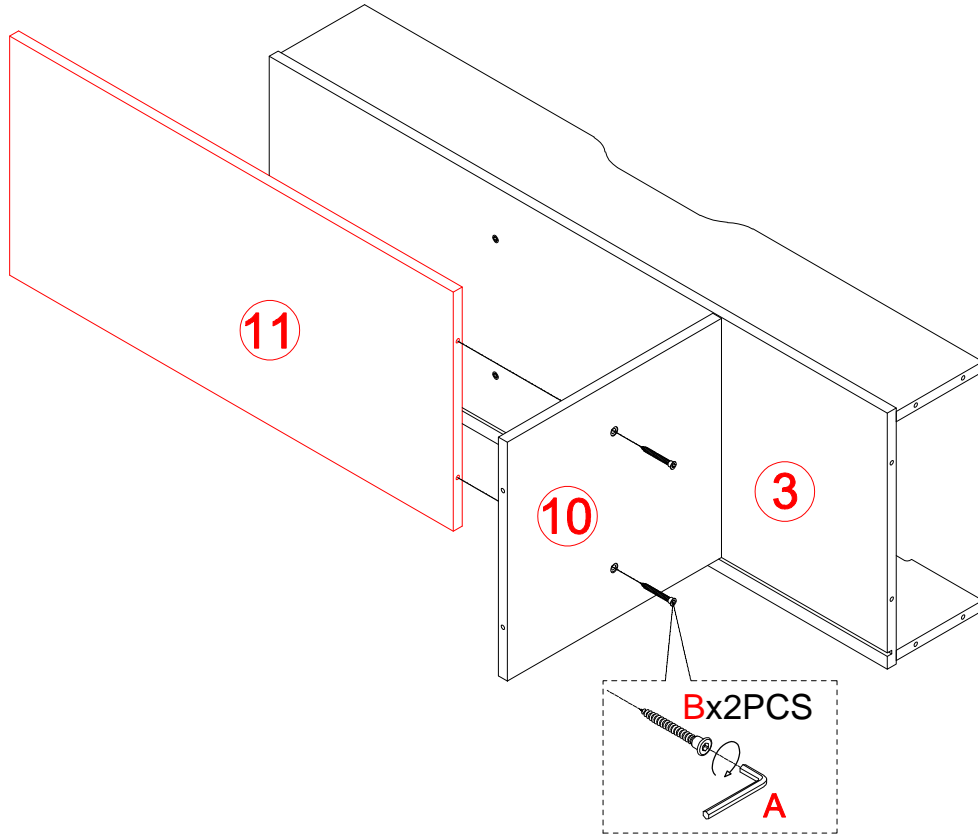
- 7 × 1PC
- 8 × 1PC
- 9 × 1PC

# 4

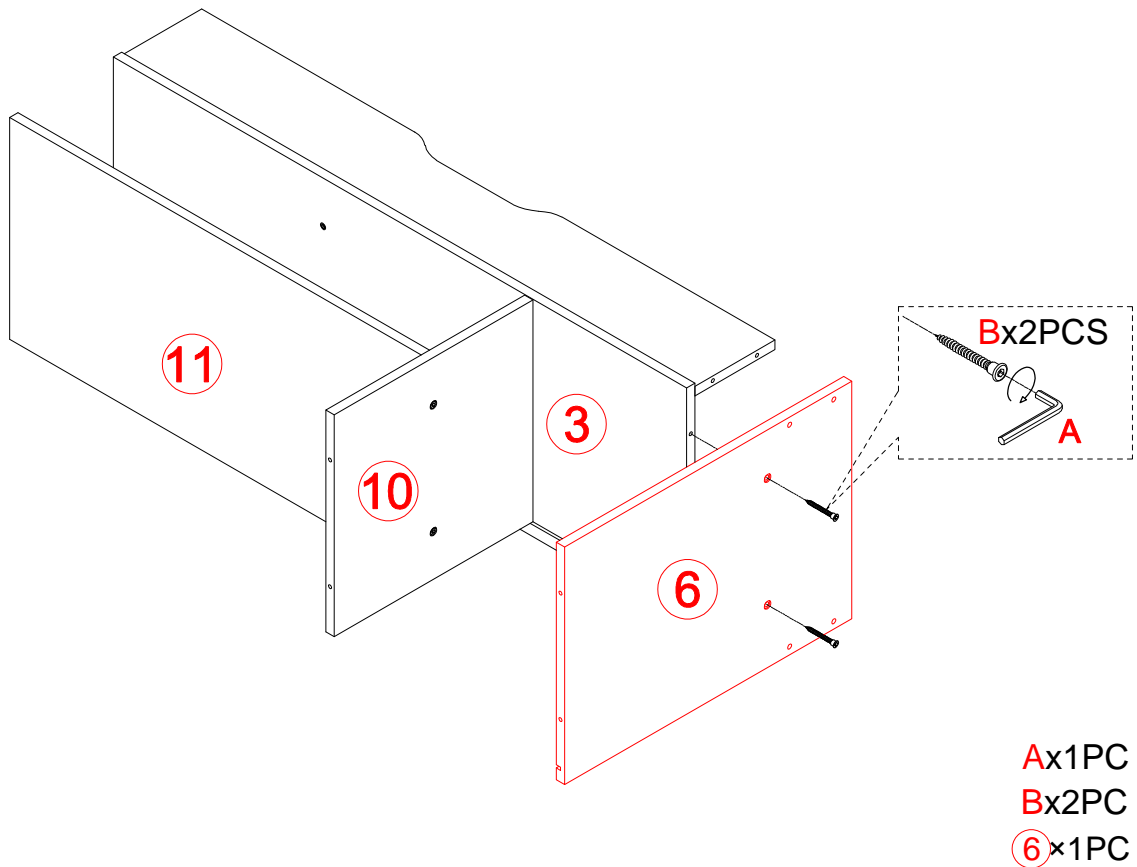


- Ax1PC
- Bx2PC

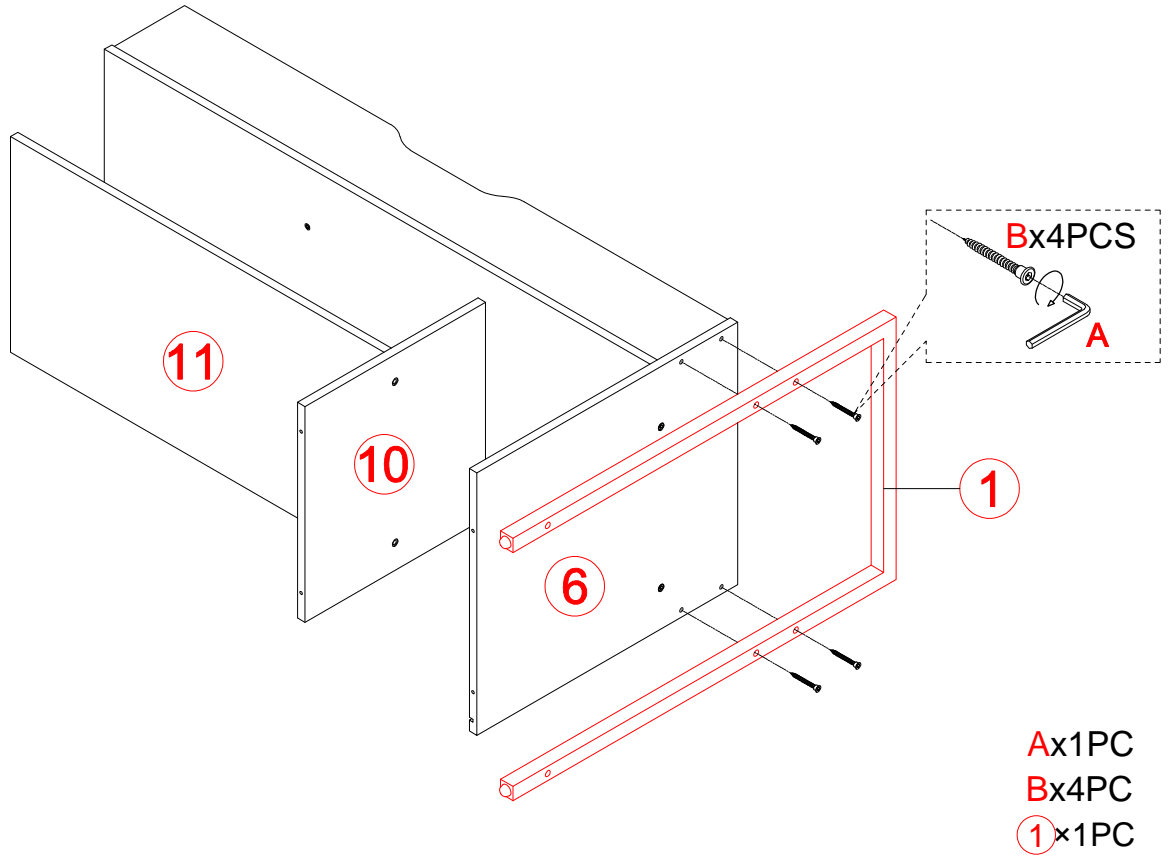
5



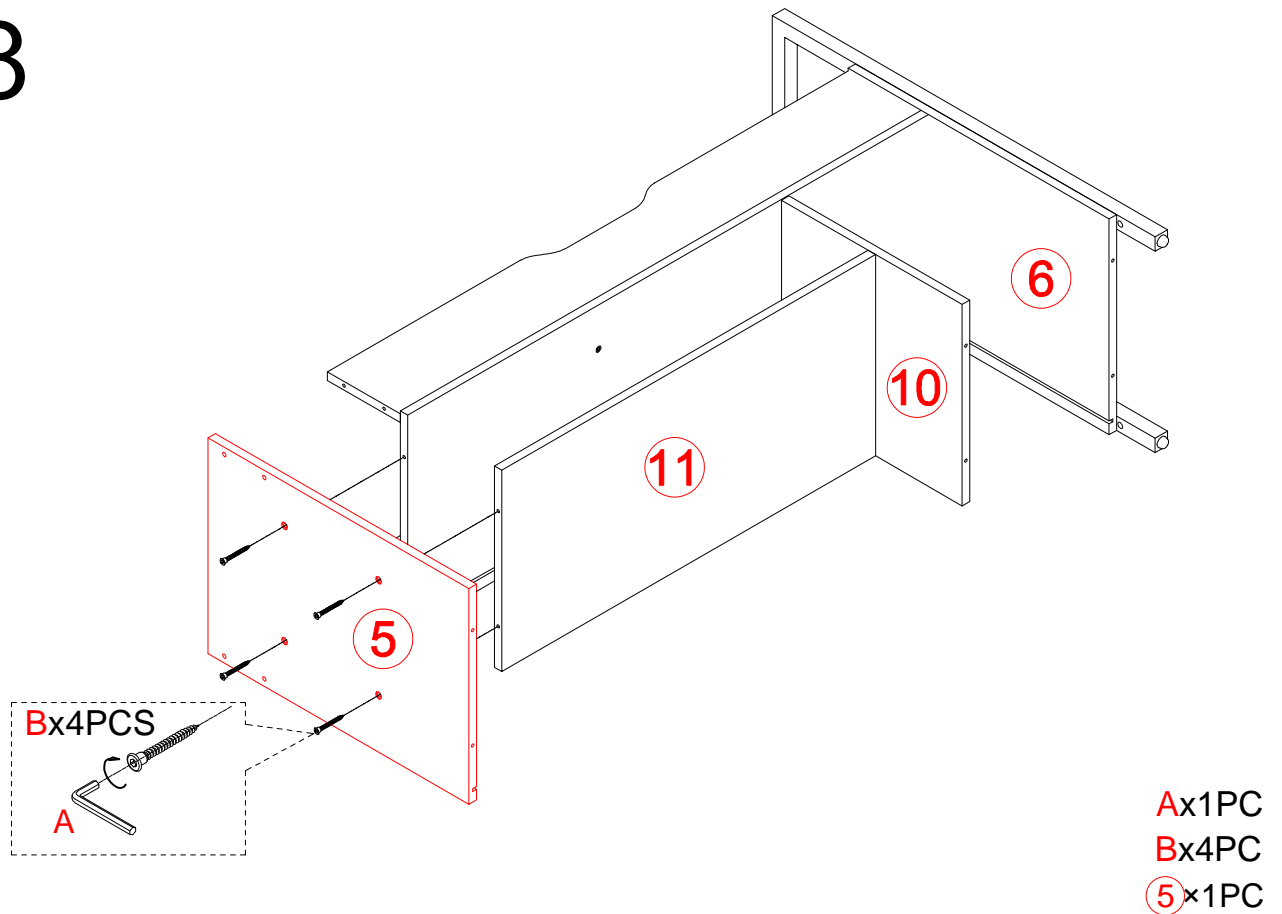
6



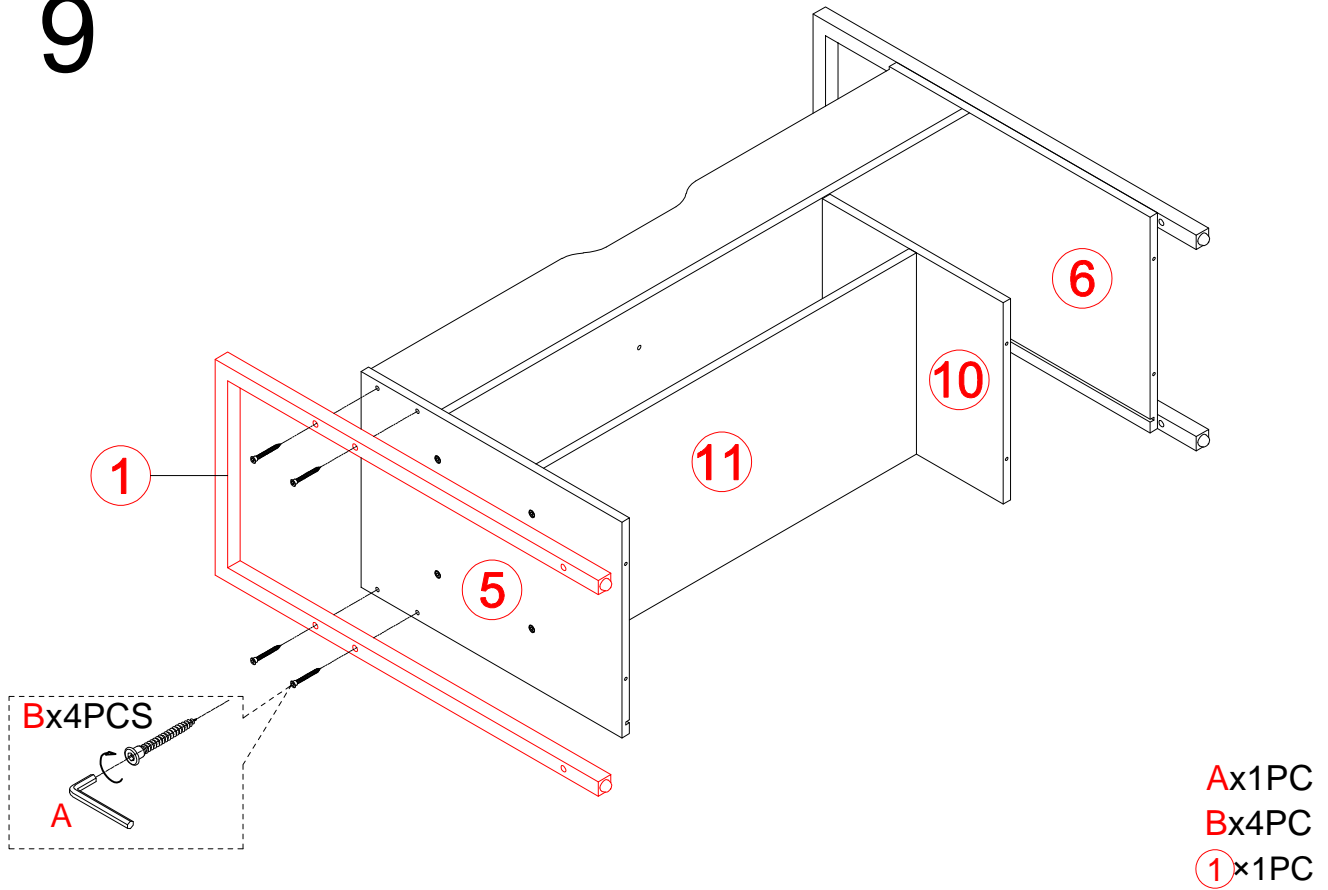
7



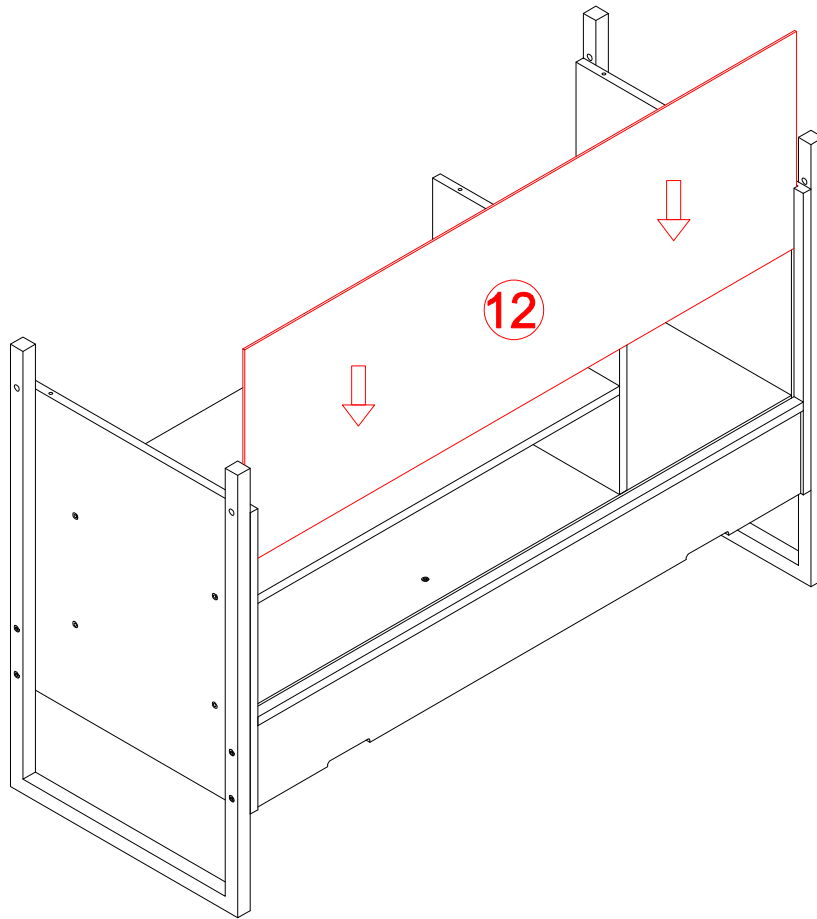
8



# 9

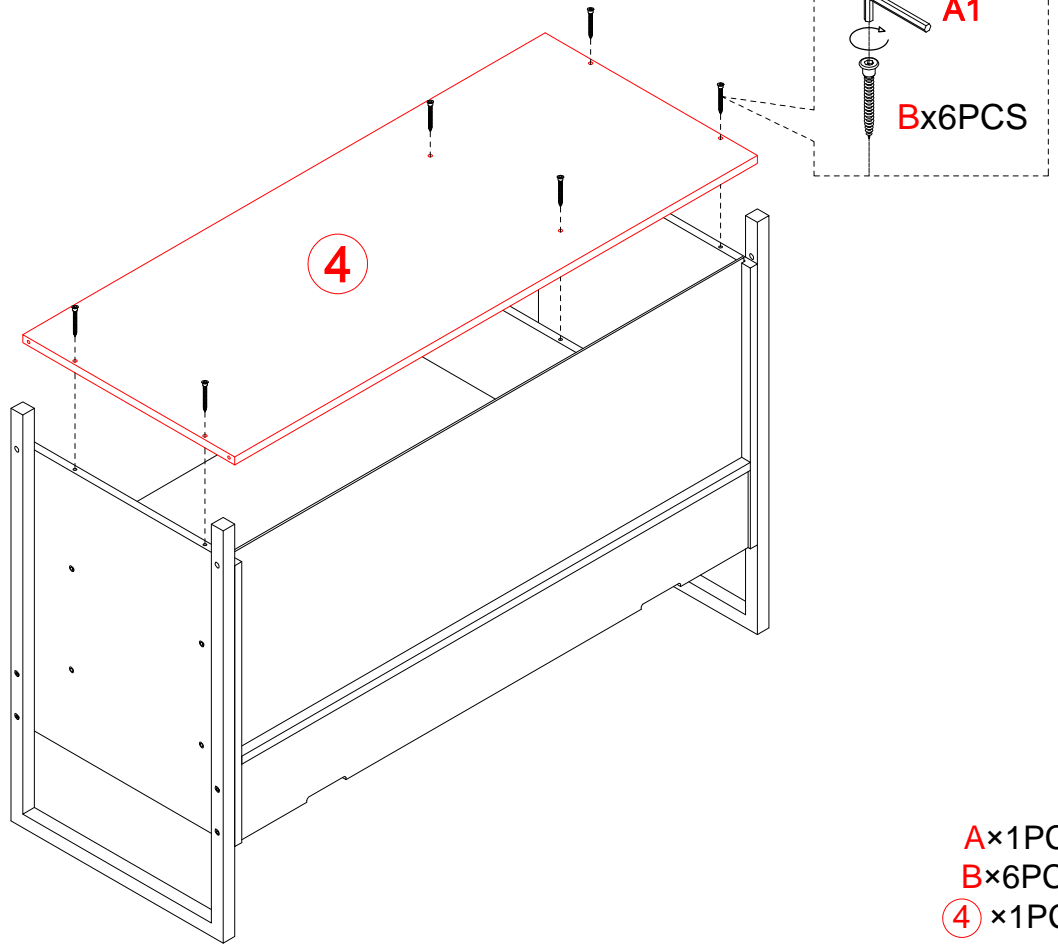


# 10

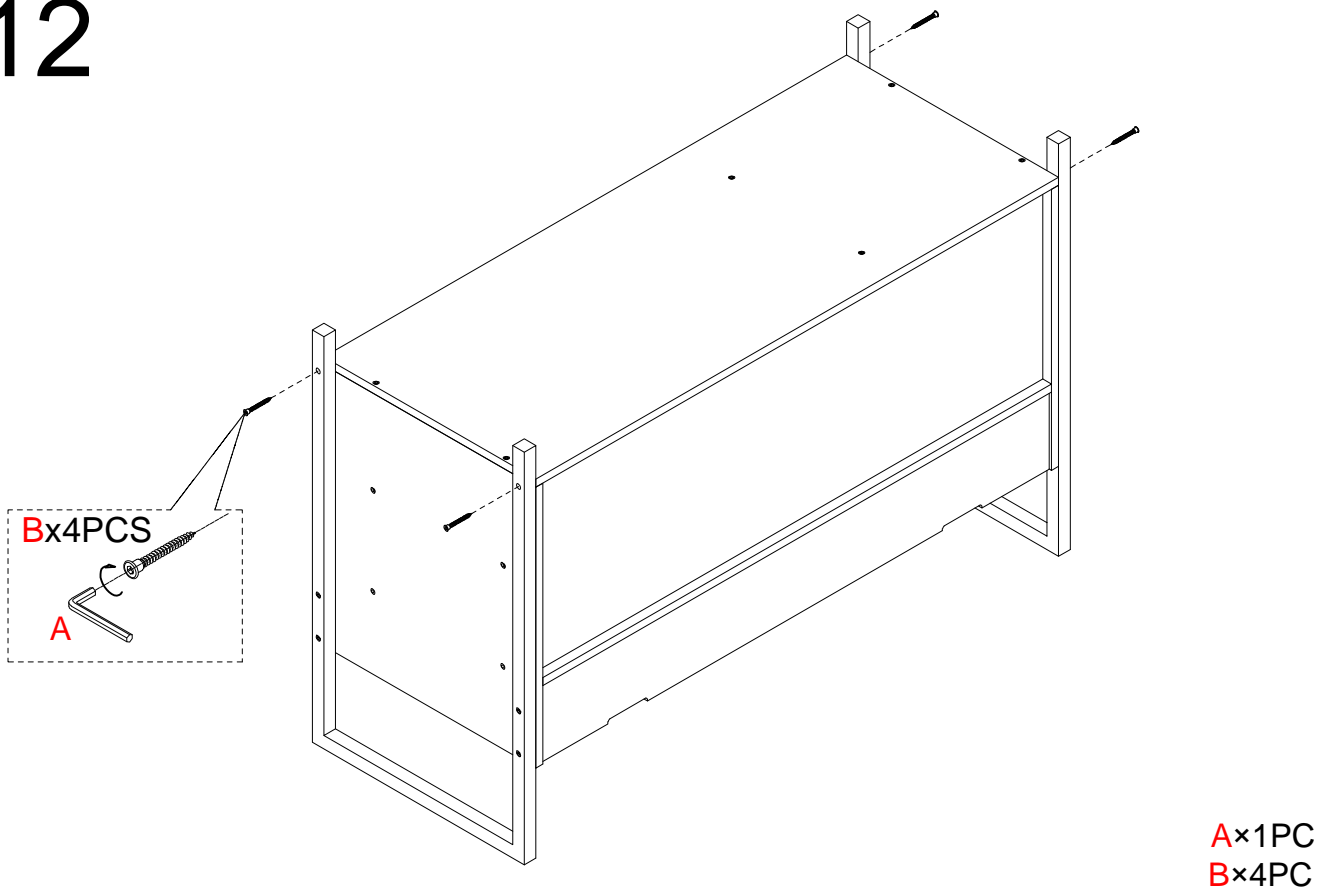




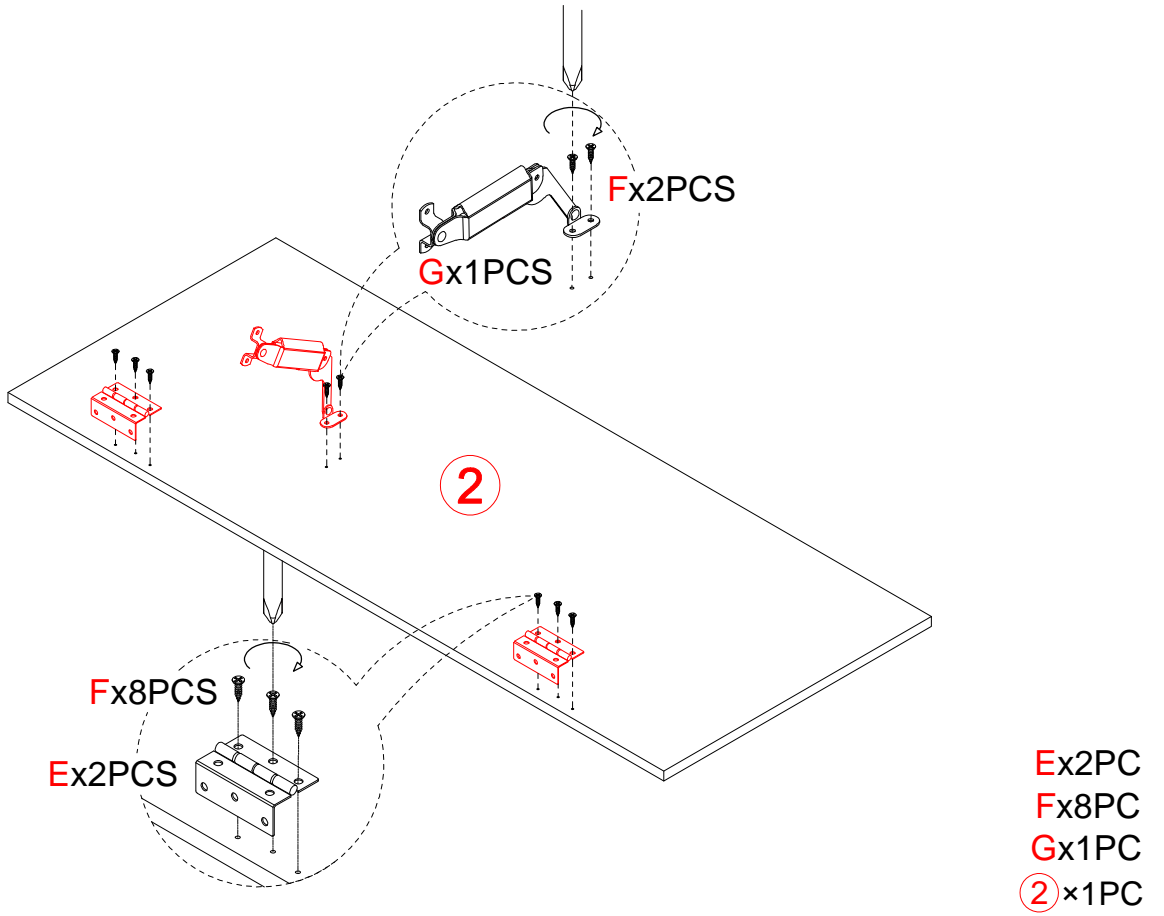
# 11



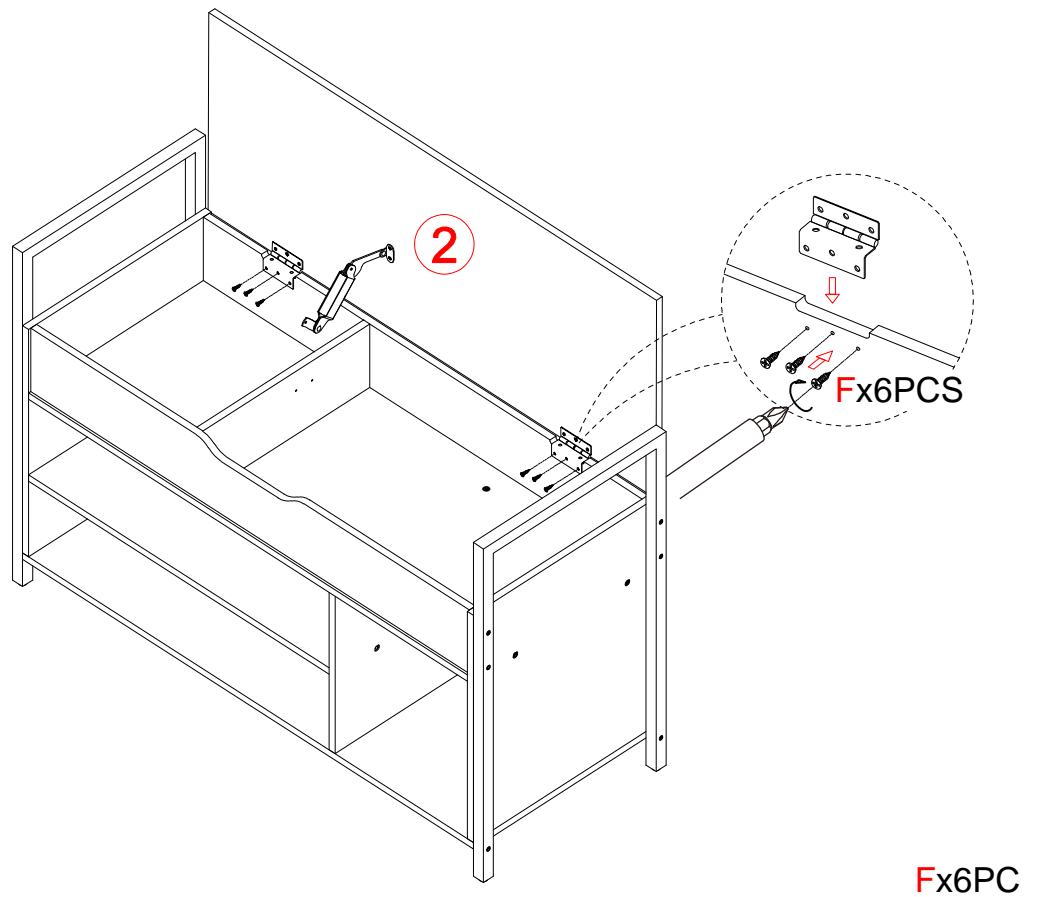
# 12



# 13

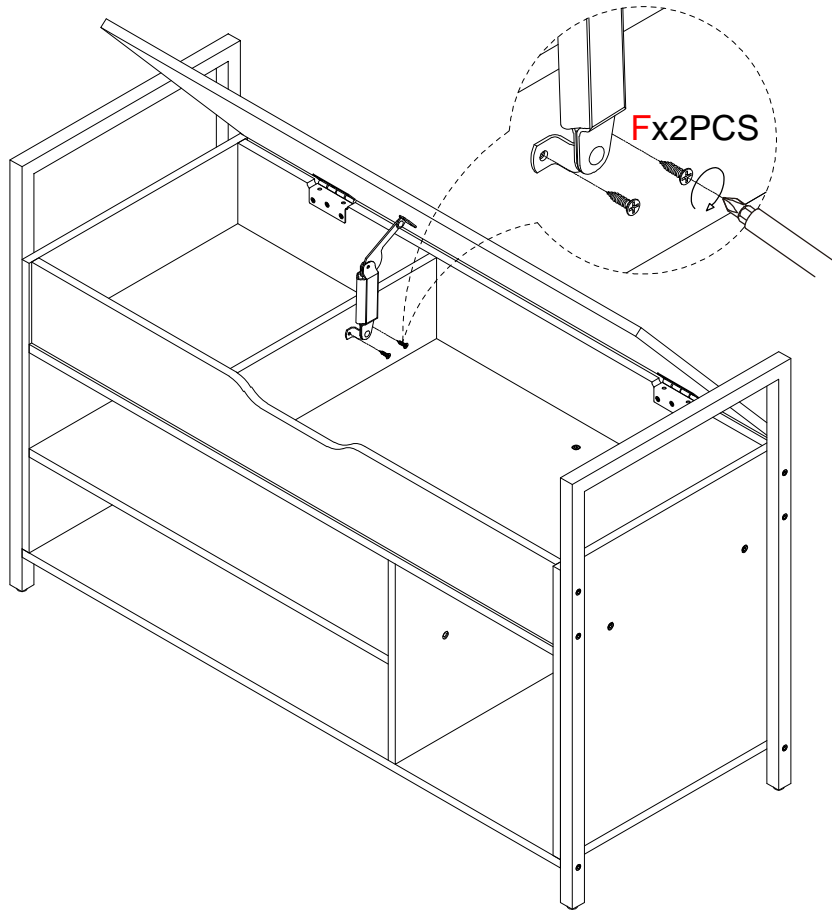


# 14



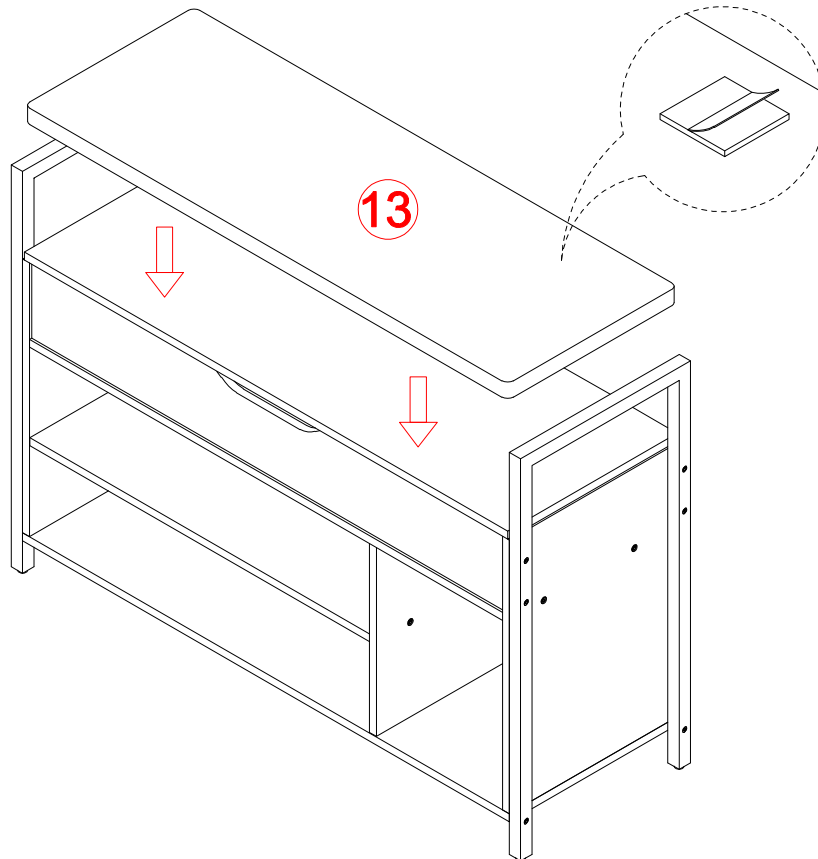
P10/11

15



F x 2 PC

16



13 x 1 PC