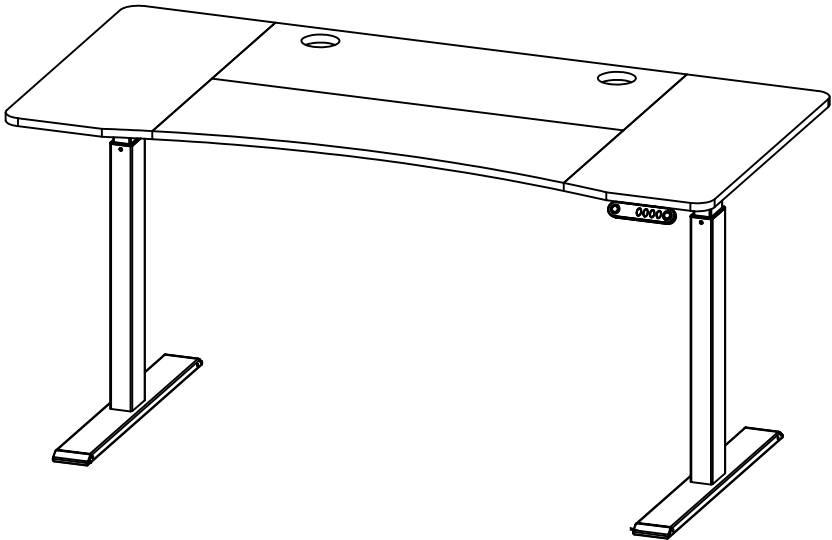


# Electric Height Adjustable Standing Desk

USER MANUAL





**IMPORTANT INFORMATION**  
**READ CAREFULLY.**  
**KEEP THIS INFORMATION FOR FURTHER REFERENCE.**

## **GENERAL GUIDELINES**

- Please read the following instruction carefully and use the product accordingly.
- Please keep this manual and hand it over when you transfer the product.
- This summary may not include every detail of all variations and considered steps. Please **contact us** when further information and help are needed.

## **NOTES**

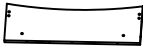


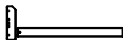



- Please follow the assembly instructions precisely and only use the product as intended.
- If an odor is present when first opening the package, please leave the unwrapped product in a shaded and ventilated area for a few days to air out.
- Prior to assembly, please check the product for defects or missing accessories. If any defects are found or accessories are missing, do not use product as damage or injury may occur;
- Please **contact us** for assistance and replacement.
- During assembly, please only slightly tighten all screws in their correct position first, then fully tighten them. A Philips screwdriver is recommended but not included.
- It is suggested you regularly check the products bolts and connections to ensure safe use.
- Assemble the item on a soft flat and clean surface to avoid scratches and damage.

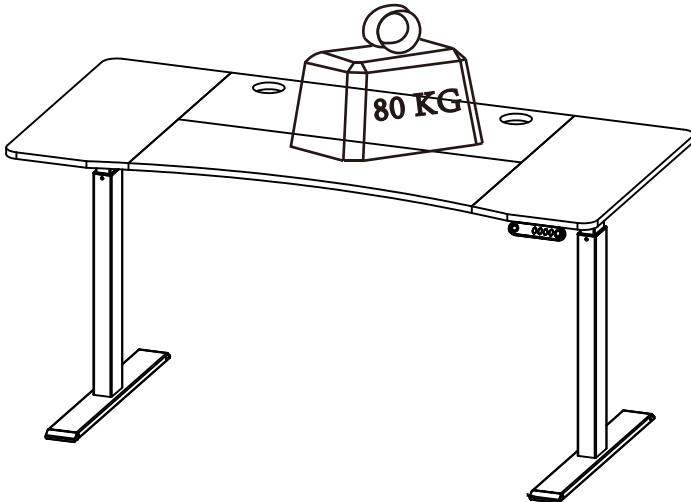
## **WARNINGS**

- During assembly, keep parts and packaging materials away from children and pets as there could cause injury and are a potential choking hazard.
- Avoid sharp objects or corrosive chemicals to prevent damage to the product.
- Please open the item slowly and cautiously to avoid pinching your hands by metal joints, especially children.

# Components

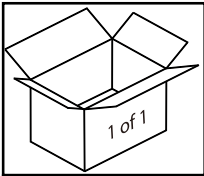
Please check you have all the pieces listed below


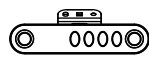

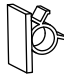

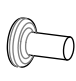
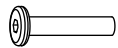
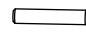




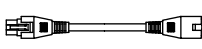
Part List				
Reference	Description	Part	Quantity	Material
①	Desktop-b		1	Particle Board
②	Desktop-a		1	Particle Board
③	Desktop-c		1	Particle Board
④	Legs		2	Steel
⑤	Crossbars		2	Steel
⑥	Side Bracket		2	Steel
⑦	Base		2	Steel



# Components

Please check you have all the pieces listed below

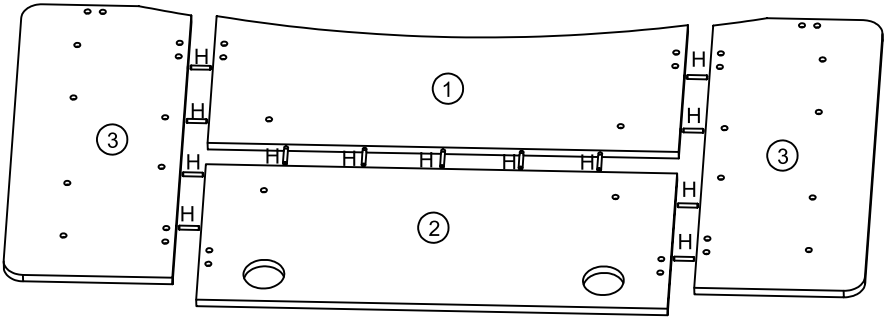


<b>A</b>  Power Cable × 1 pc	<b>B</b>  Controller × 1 pc	<b>C</b>  Leveling Studs × 4 pcs
<b>D</b>  Wire Clips × 5 pcs	<b>E</b>  4mm Allen Key × 1 pc	<b>F</b>  Screws M6 × 12 × 50 pcs
<b>G</b>  Screws M6 × 35 × 10 pcs	<b>H</b>  Wooden Rod × 15 pcs	<b>I</b>  Outlet Box × 2 pcs
<b>J</b>  Iron Connector × 4 pcs	<b>K</b>  AC Adapter × 1 pc	<b>L</b>  Hexagon bar × 1 pc
<b>M</b>  Extension Line × 1 pc		

1

<b>H</b>	x13
Wooden Rod	

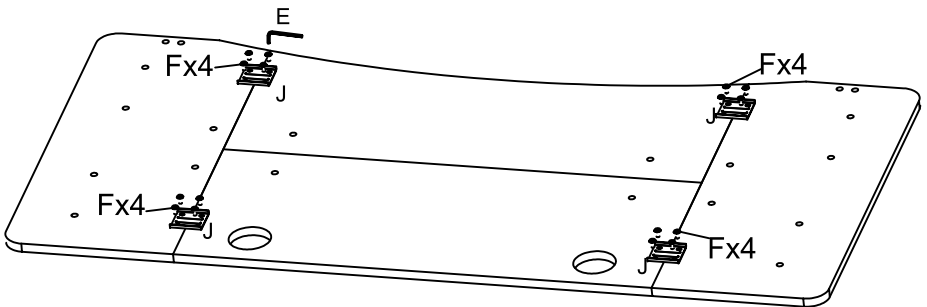
Note:Two more wooden rods in the accessory bag.



2

<b>E</b>	x1	<b>F</b>	x16	<b>J</b>	x4
4mm Allen Key		Screws M6		Iron Connector	

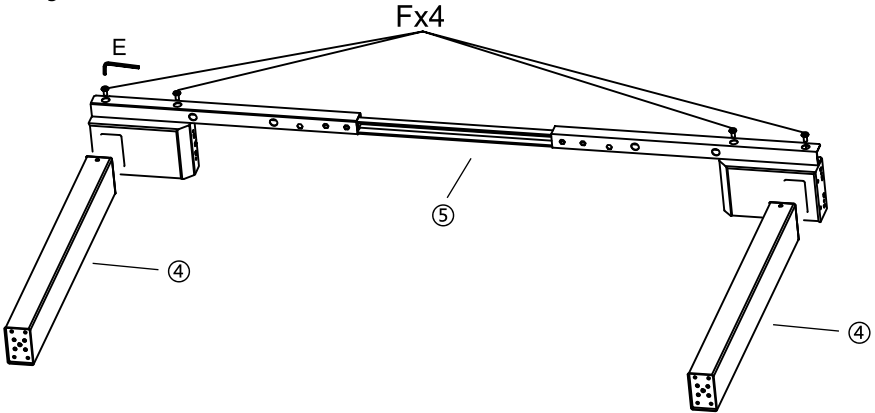
Note:The horizontal bar on the Iron Connector should be perpendicular to the seam of the table panel splice.



# 3

<b>F</b>	×4
Screws M6	

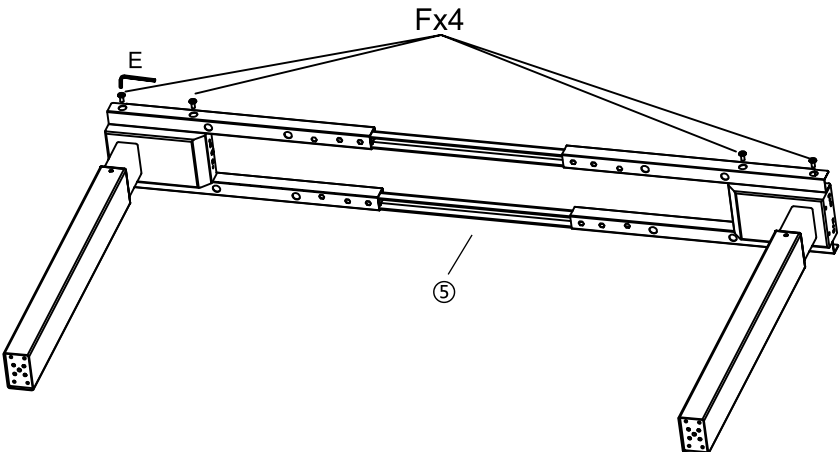
Lay down the two Legs (Part 4), and put one Crossbar (Part 5) on the legs.  
Insert four M6X12 screws (Part F) through the holes of crossbar and legs by using the 4mm Allen wrench (Part E).  
Rotate each screw just a few turns. When all M6X12 screws are threaded, go back and tighten all remaining screws.



# 4

<b>F</b>	×4
Screws M6	

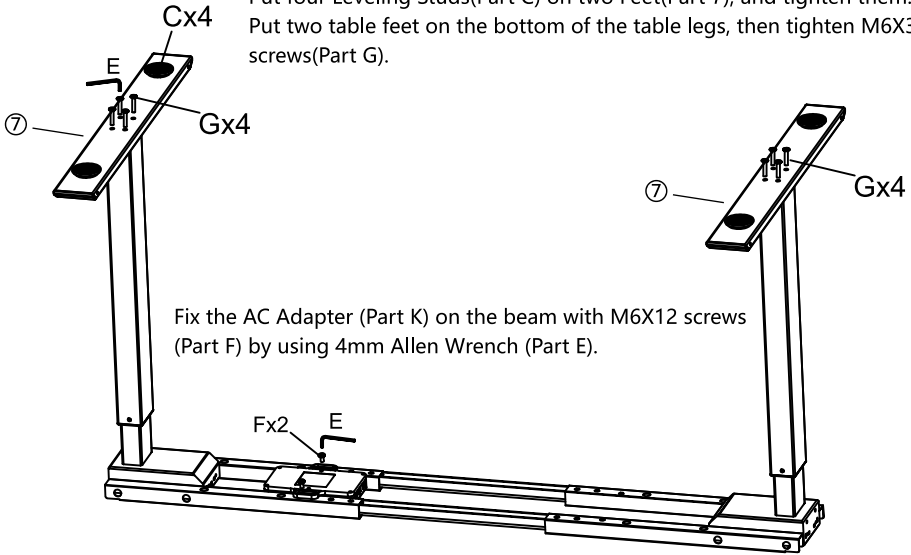
Put another Crossbars (Part 5) on the other side of the legs.  
Tighten four M6X12 screws (Part F) on it with the 4mm Allen wrench (Part E).



# 5

<b>C</b>	x4	<b>G</b>	x8	<b>F</b>	x2
Leveling Studs		Screws M6		Screws M6	

Put four Leveling Studs(Part C) on two Feet(Part 7), and tighten them. Put two table feet on the bottom of the table legs, then tighten M6X35 screws(Part G).

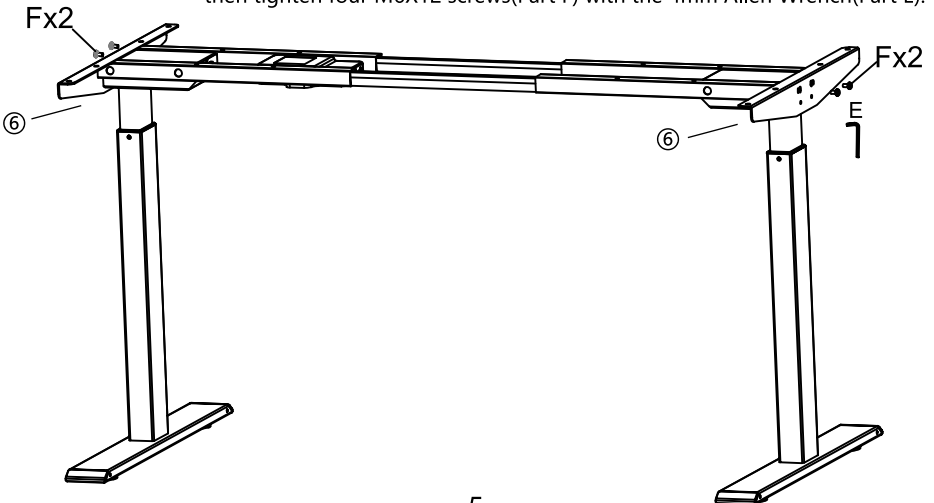


Fix the AC Adapter (Part K) on the beam with M6X12 screws (Part F) by using 4mm Allen Wrench (Part E).

# 6

<b>F</b>	x4
Screws M6	

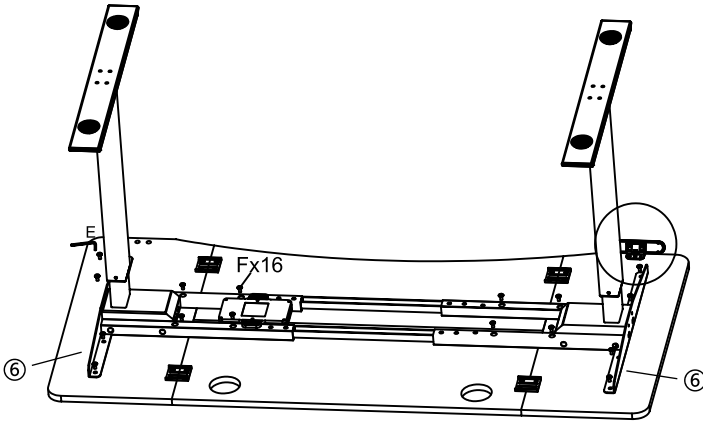
Turn the desk frame straight. Attach two Side Brackets(Part 6) to the frame, then tighten four M6X12 screws(Part F) with the 4mm Allen Wrench(Part E).



**7**

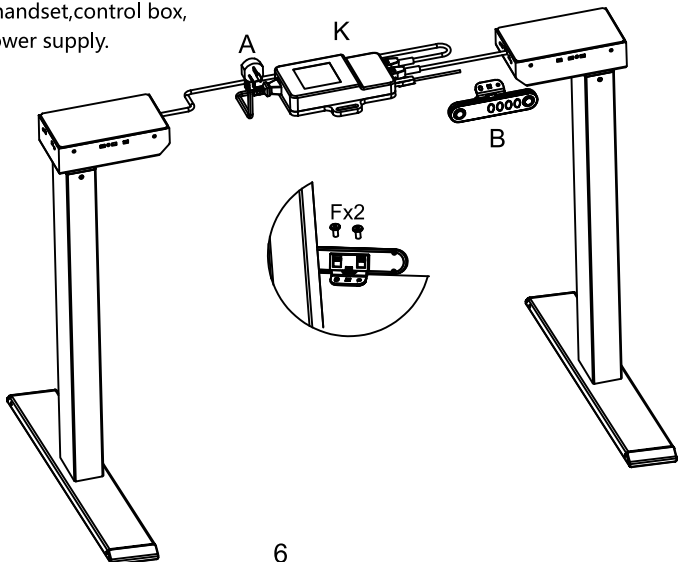
<b>F</b>	<b>×16</b>
Screws M6	

Fix the Side Bracket(part 6)on the Board with M6 × 12 screws(part F) by using 4mm Allen Wrench(part E).Fasten M6 × 12 screws and beam screws to the subpanel by using 4mm Allen Wrench(part E).

**8**

<b>A</b>	<b>×1</b>	<b>K</b>	<b>×1</b>	<b>B</b>	<b>×1</b>	<b>F</b>	<b>×2</b>
Power Cable		AC Adapte		Controller		Screws M6	

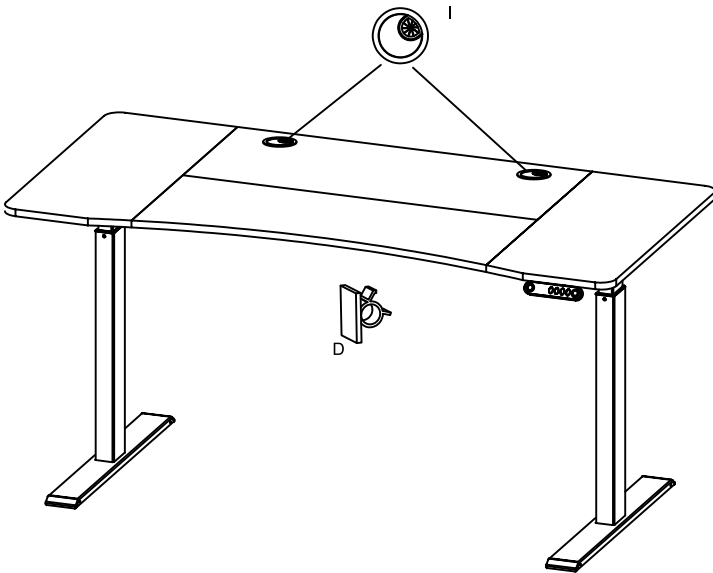
Connect the handset,control box, motor and power supply.



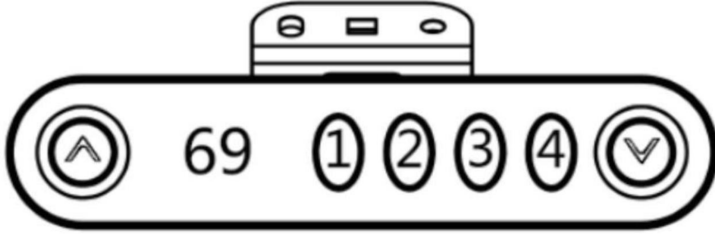


<b>I</b>	x2	<b>D</b>	x5
Outlet Box		Wire Clips	

Clip the wires with wire Clips(Part D) pasted under the desktop.Then power on to use it. Press the Outlet Box (Part I) into the desk.



## DISPLAY INSTRUCTIONS



<b>IMPORTANT</b>	You must <b>RESET</b> the desk prior to use.
RESET Setting	Method 1: Press and hold “^” and “\” buttons on the handset at the same time for seconds until you hear the beep. Release the buttons. The desk will go automatically until it shows 69, and the reset is successful.
Height Adjustment	Up: Press Up “^” Down: Press Down “\”
Switch Display	Press 2 times “\” when the desk is at the lowest position to switch cm to inch
Memory Height	Press and hold any of memory buttons (1,2,3 or 4) until you hear a beep. Release the button, and this position height will be stored in memory. When the working height of memory needs to be used, press the memory position button and the desk will automatically adjust to the memory height. Note: This standing desk has 4 different height memories. The memory positions stored are still valid after power off. You can use the up and down buttons to adjust the standing desk to the height you need to work.

### Troubleshooting Guide:

If your standing desk does not work properly, you may need to reset it. If any error codes appear, you need to reset it.

### Maintenance and Consideration:

1. During daily maintenance, use a clean soft cloth to remove surface dust. Do not use a wet cloth or hard material to wipe the surface of the table.  
Avoid contacting the surface with acid-based chemicals.
2. For slight scratches, gently wipe with a soft cloth, you can smooth out scratches.  
Avoid attaching tape directly to the outer surface of the metal feet to prevent paint from peeling