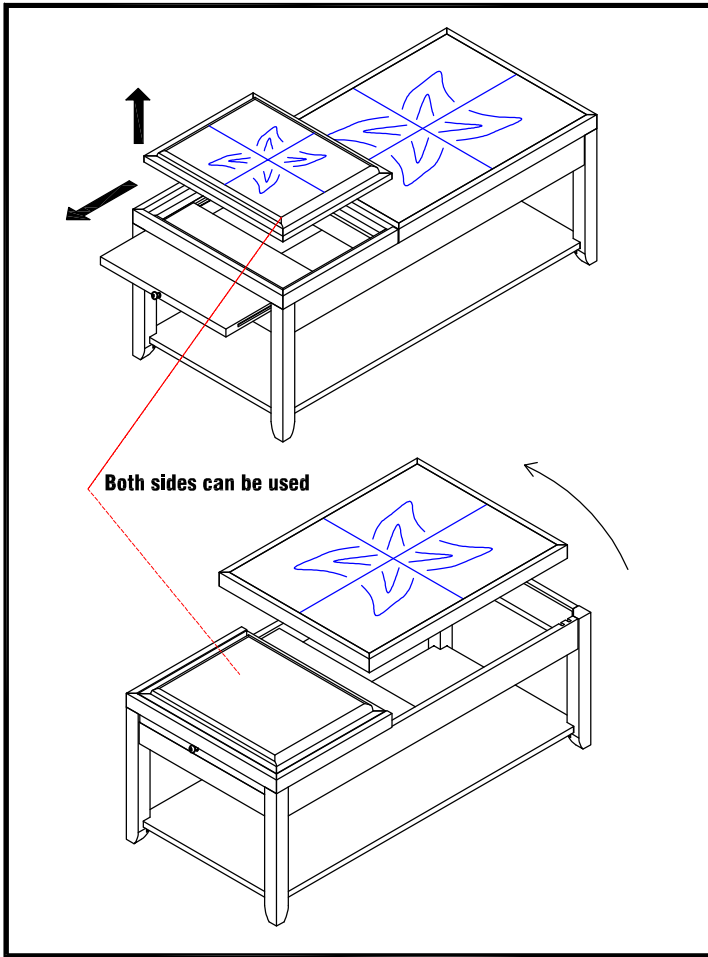


ASSEMBLY INSTRUCTION

DESCRIPTION Rect. Cocktail Table

Thank you for purchasing this quality product. Be sure to check all packing material carefully for small parts which may have come loose inside the carton during shipment. Identify and count all parts and compare with the parts list below:



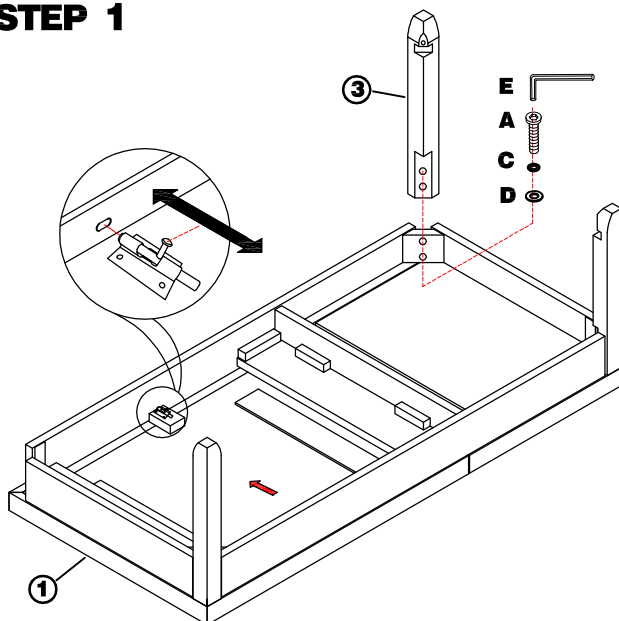
HARDWARE LIST

NO.	SKETCH	HARDWARE	QTY
A		Bolt 1/4" x 1-3/4"	8 pcs
B		Bolt 1/4" x 5/8"	8 pcs
C		Spring Washer	16 pcs
D		Flat Washer	16 pcs
E		Allen Wrench 4mm	1 pc
F		Bracket	4 pcs
G		Caster (Ø1-1/2")	4 pcs
H		Screw (Ø8mm * 19mmL)	16 pcs

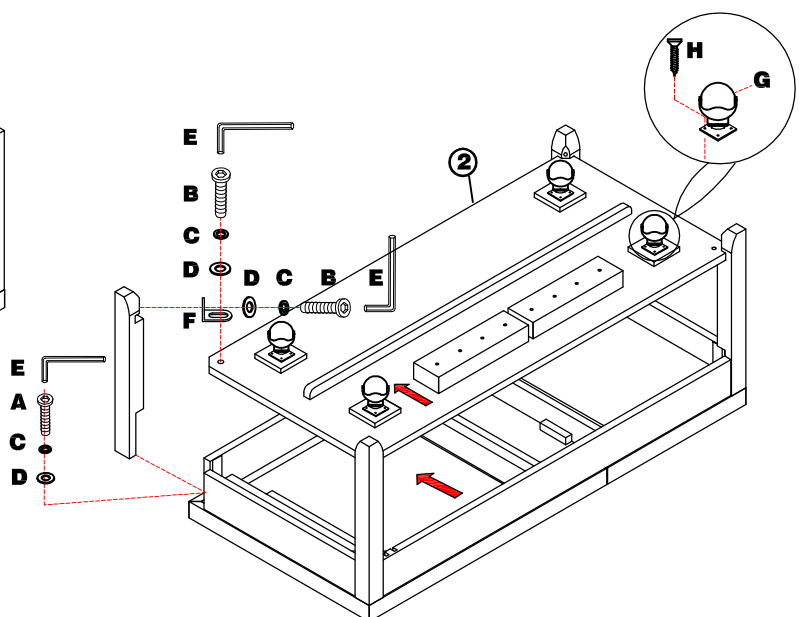
PARTS LIST

NO.	SKETCH	PART	QTY
①		Top	1 pc
②		Bottom Panel	1 pc
③		Leg	4 pcs

STEP 1



STEP 2

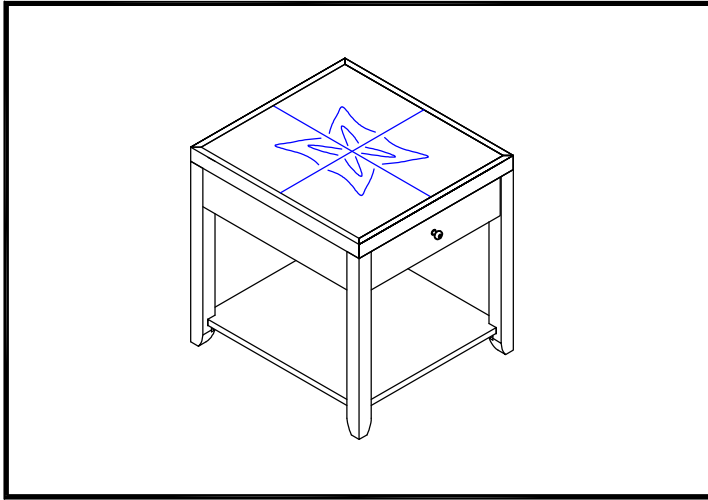


NOTE: DO NOT TIGHTEN ALL THE BOLTS UNTIL THEY ARE INSTALLED IN CORRESPONDING HOLES!

ASSEMBLY INSTRUCTION

DESCRIPTION End Table

Thank you for purchasing this quality product. Be sure to check all packing material carefully for small parts which may have come loose inside the carton during shipment. Identify and count all parts and compare with the parts list below:



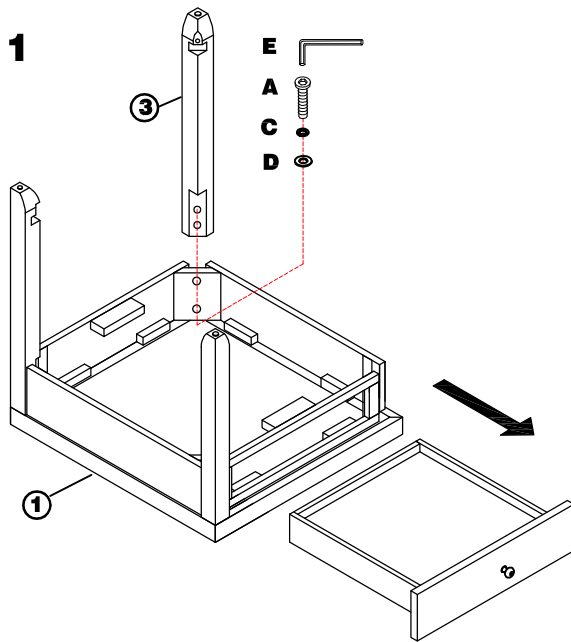
HARDWARE LIST

NO.	SKETCH	HARDWARE	QTY
A		Bolt 1/4" x 1-3/4"	8 pcs
B		Bolt 1/4" x 5/8"	8 pcs
C		Spring Washer	16 pcs
D		Flat Washer	16 pcs
E		Allen Wrench 4mm	1 pc
F		Bracket	4 pcs

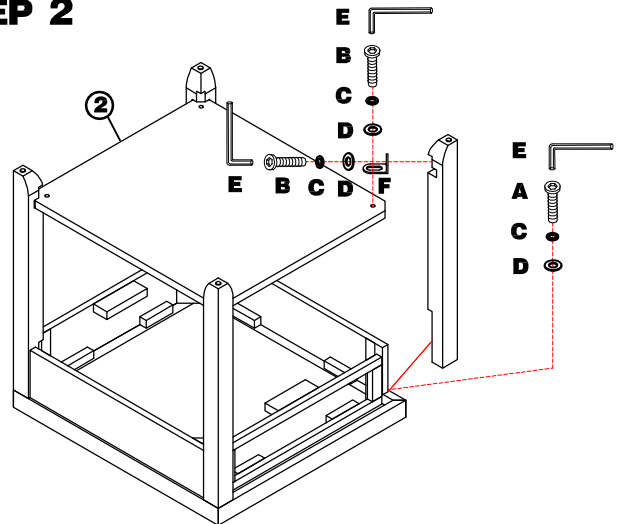
PARTS LIST

NO.	SKETCH	PART	QTY
①		Top	1 pc
②		Bottom Panel	1 pc
③		Leg	4 pcs

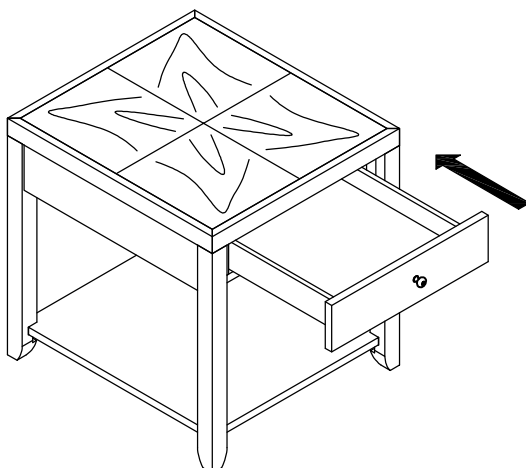
STEP 1



STEP 2



STEP 3

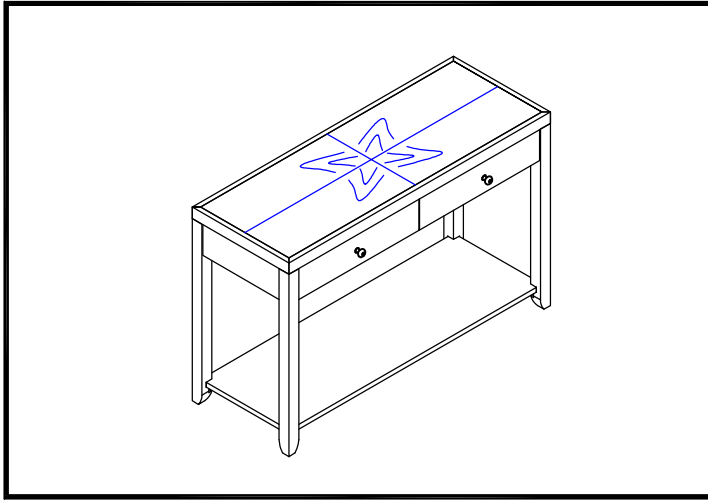


NOTE: DO NOT TIGHTEN ALL THE BOLTS UNTIL THEY ARE INSTALLED IN CORRESPONDING HOLES!

ASSEMBLY INSTRUCTION

DESCRIPTION **Sofa Table**

Thank you for purchasing this quality product. Be sure to check all packing material carefully for small parts which may have come loose inside the carton during shipment. Identify and count all parts and compare with the parts list below:



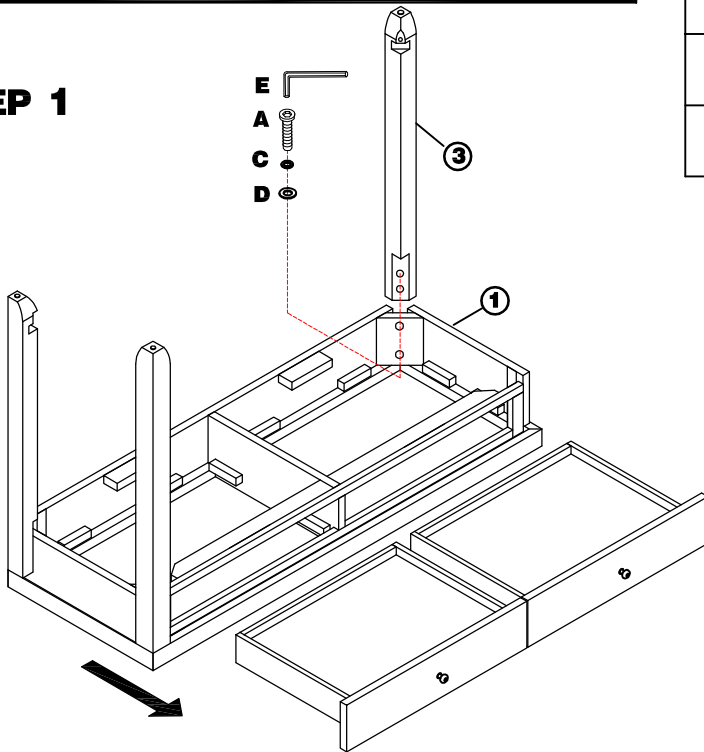
HARDWARE LIST

NO.	SKETCH	HARDWARE	QTY
A		Bolt 1/4" x 1-3/4"	8 pcs
B		Bolt 1/4" x 5/8"	8 pcs
C		Spring Washer	16 pcs
D		Flat Washer	16 pcs
E		Allen Wrench 4mm	1 pc
F		Bracket	4 pcs

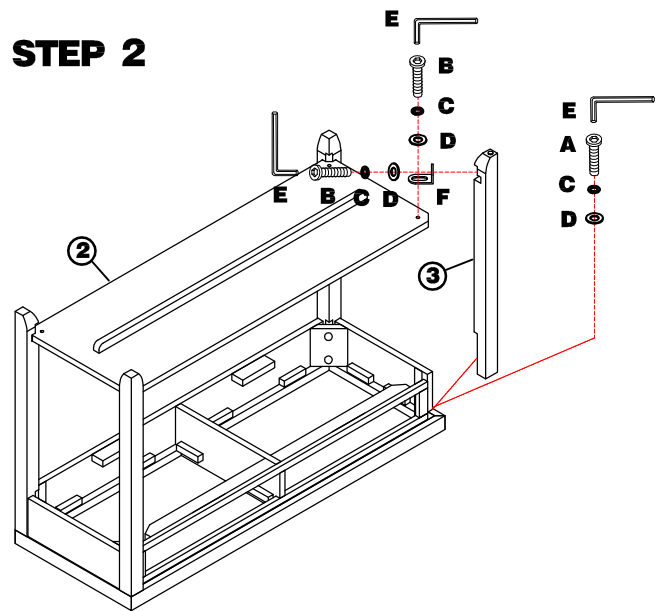
PARTS LIST

NO.	SKETCH	PART	QTY
①		Top	1 pc
②		Bottom Panel	1 pc
③		Leg	4 pcs

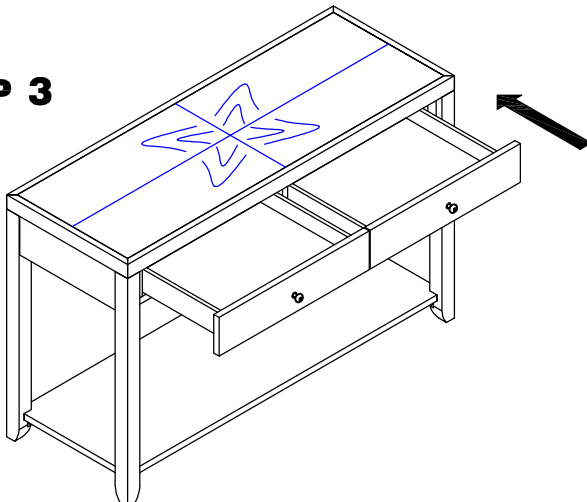
STEP 1



STEP 2



STEP 3

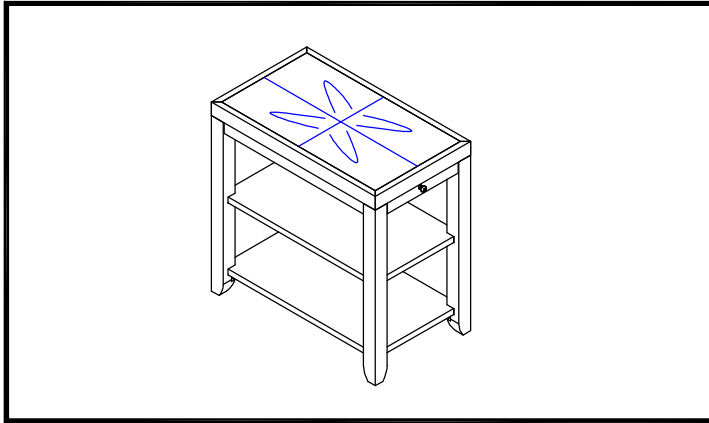


NOTE: DO NOT TIGHTEN ALL THE BOLTS UNTIL THEY ARE INSTALLED IN CORRESPONDING HOLES!

ASSEMBLY INSTRUCTION

DESCRIPTION Chair Side Table

Thank you for purchasing this quality product. Be sure to check all packing material carefully for small parts which may have come loose inside the carton during shipment. Identify and count all parts and compare with the parts list below:



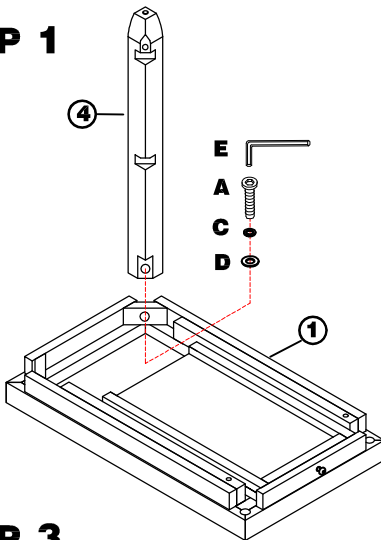
HARDWARE LIST

NO.	SKETCH	HARDWARE	Q'TY
A		Bolt 1/4" x 1-3/4"	2 pcs
B		Bolt 1/4" x 5/8"	12 pcs
C		Spring Washer	14 pcs
D		Flat Washer	14 pcs
E		Allen Wrench 4mm	1 pc
F		Bracket	6 pcs

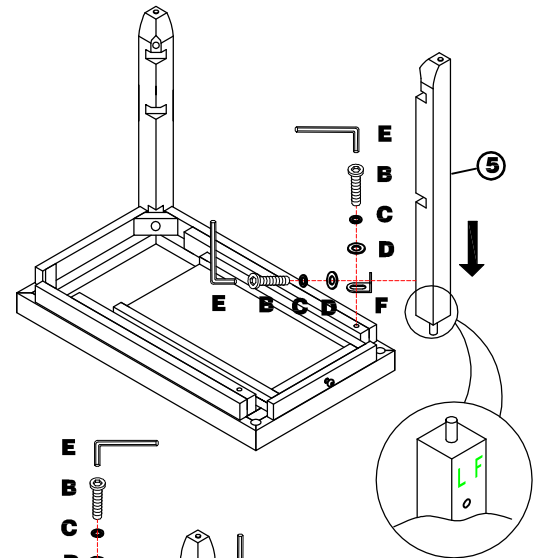
PARTS LIST

NO.	SKETCH	PART	Q'TY	NO.	SKETCH	PART	Q'TY
①		Top	1 pc	④		Back Leg	2 pcs
②		Shelf	1 pc	⑤		Left Front Leg	1 pc
③		Bottom Panel	1 pc	⑥		Right Front Leg	1 pc

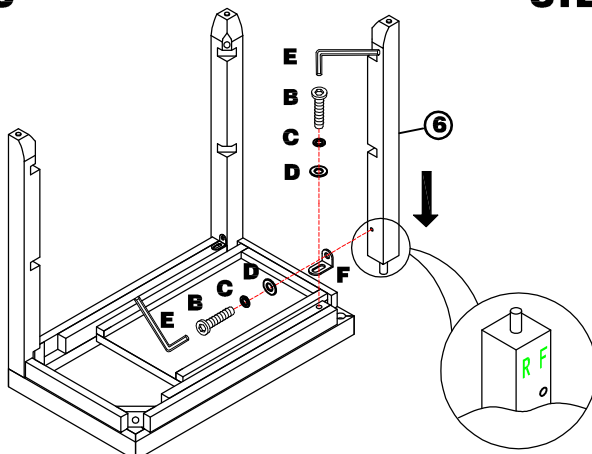
STEP 1



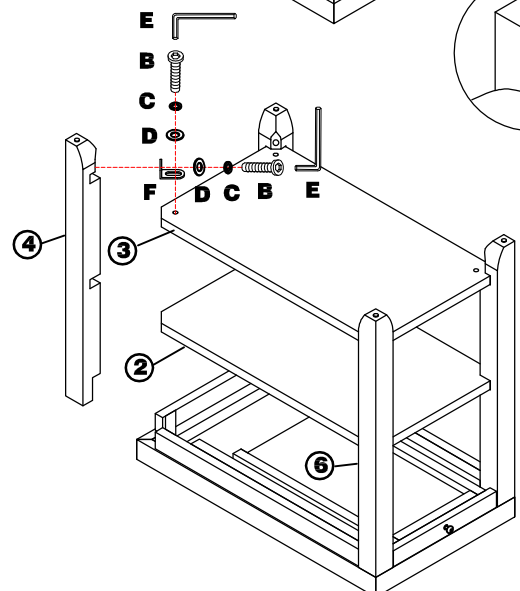
STEP 2



STEP 3



STEP 4



NOTE: DO NOT TIGHTEN ALL THE BOLTS UNTIL THEY ARE INSTALLED IN CORRESPONDING HOLES!