

# User Manual

## Home Office Desks

- Movable with Caster Wheels
- Lockable Front Wheels
- Height Adjustable with Gas Spring Lifting Device
- 28"x19" desktop surface
- Table Frame Height Range: 30"-45.7"

# ASSEMBLY INSTRUCTIONS

## Parts List

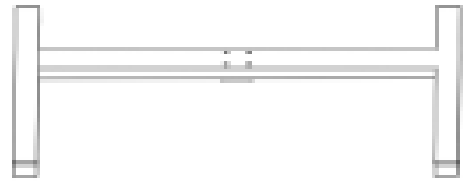
(A)



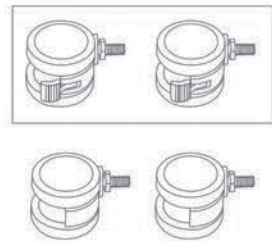
(B)



(C)



(D)



Lockable Wheel \* 2

(E)



(F)

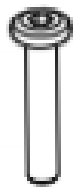


(G)



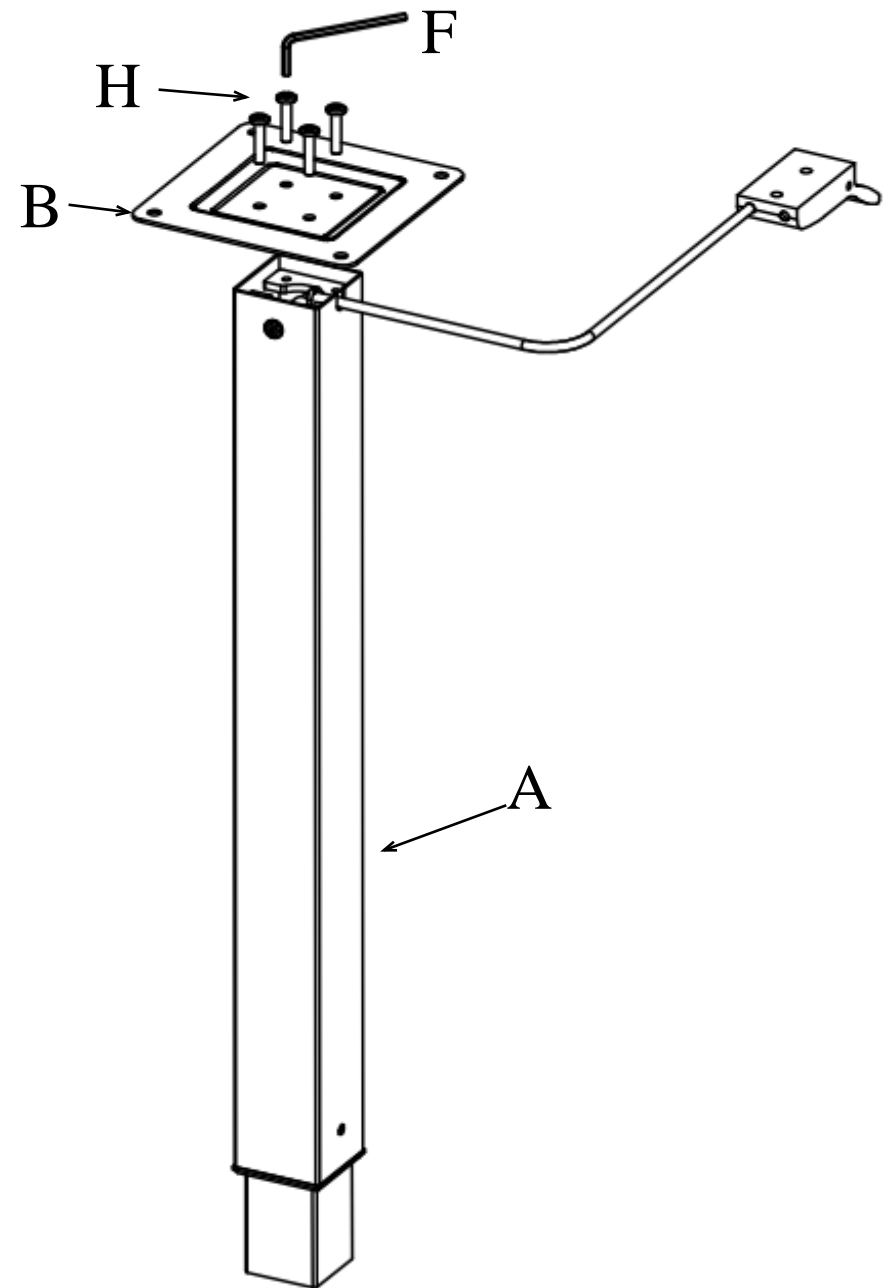
M6X12 x8 pcs

(H)



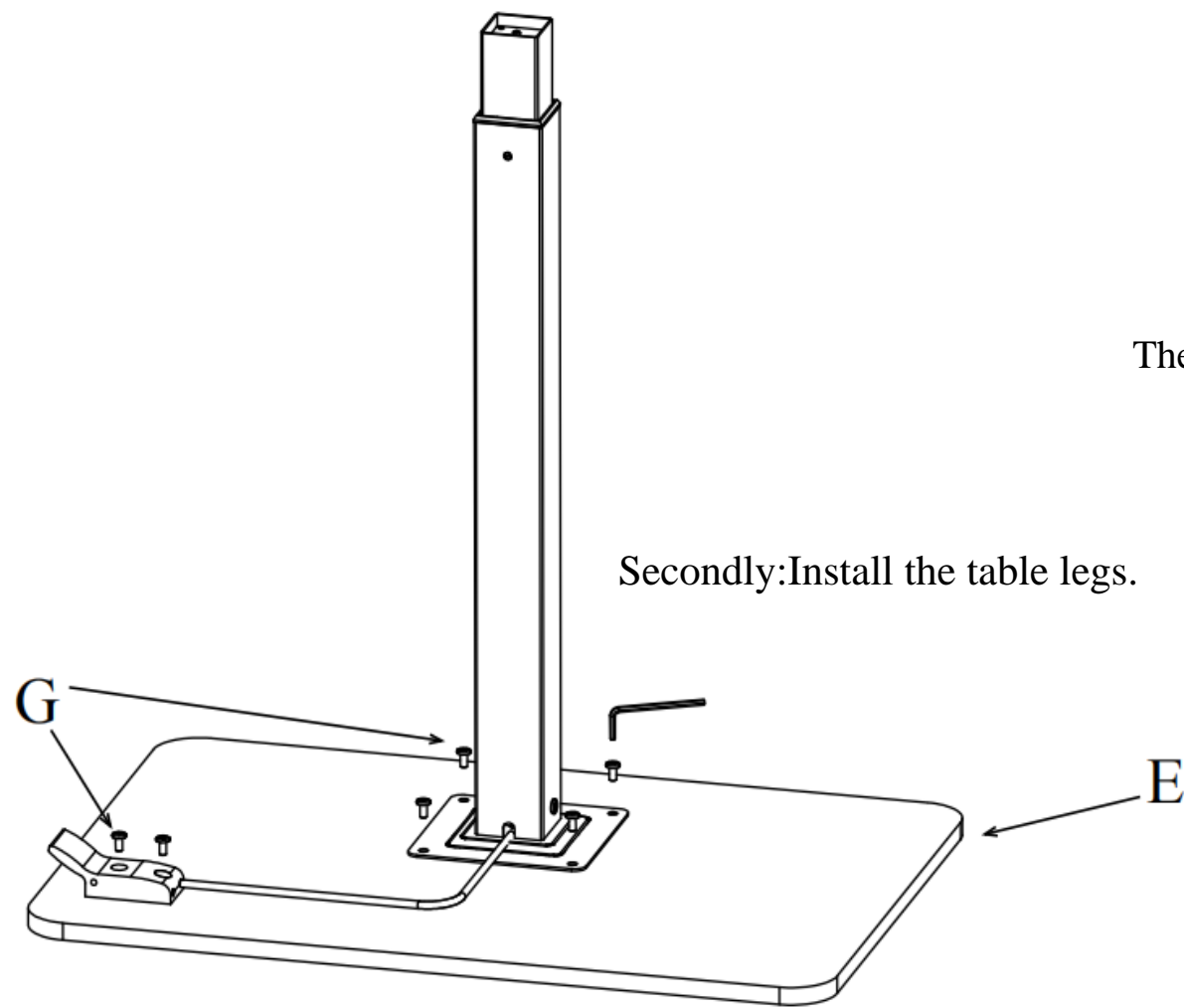
M6X40 x10 pcs

## STEP 1



# ASSEMBLY INSTRUCTIONS

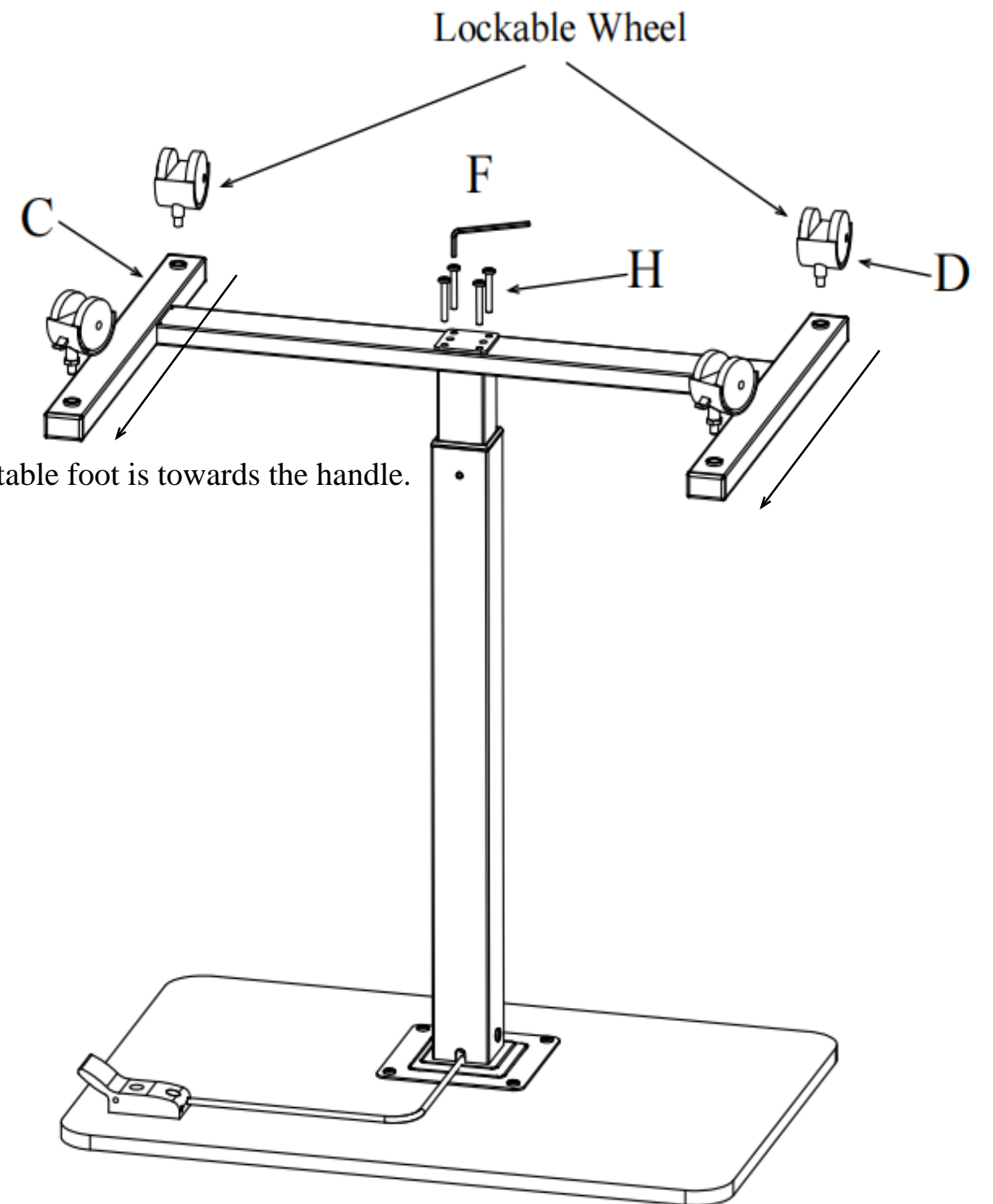
## STEP 2



Firstly: Install the handle.

Secondly: Install the table legs.

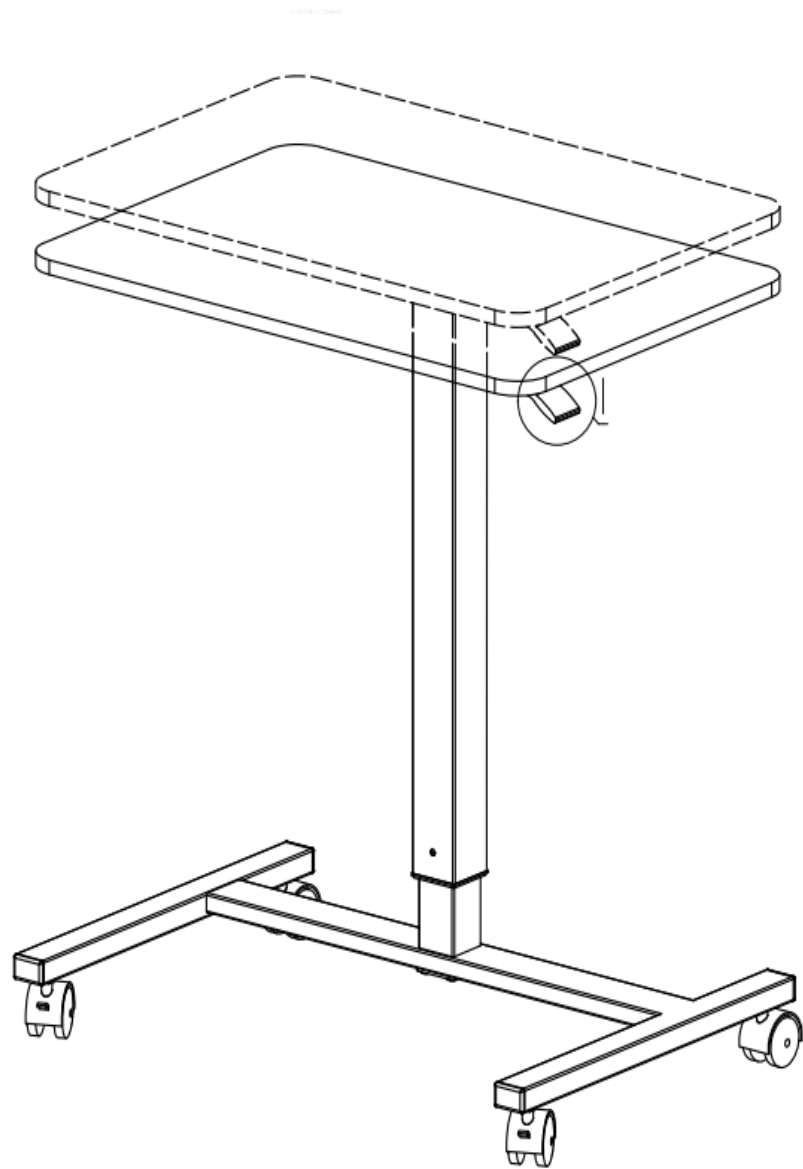
## STEP 3



The long side of the table foot is towards the handle.

# ASSEMBLY INSTRUCTIONS

## STEP 4



$\frac{1}{1:2}$

