

**ALESSI**



**PLISSÉ**  
MICHELE DE LUCCHI

# INDEX

<b>DRAPES AND ARCHITECTURE</b>	01
Dedicated to	01
Designer	02
Components	02
Design notes	03
Use and maintenance	03
Packaging	04
Codes and variants	05
Related products	05

# DRAPES AND ARCHITECTURE

---

The drapes of **Plissé** dress a new object for the table: the insulating jug designed by Michele de Lucchi to expand the successful collection follows the concise geometric lines and the attentive composition of the other elements in the series, synthesizing in an object technical requirements, high performances and the elegance of tailoring.

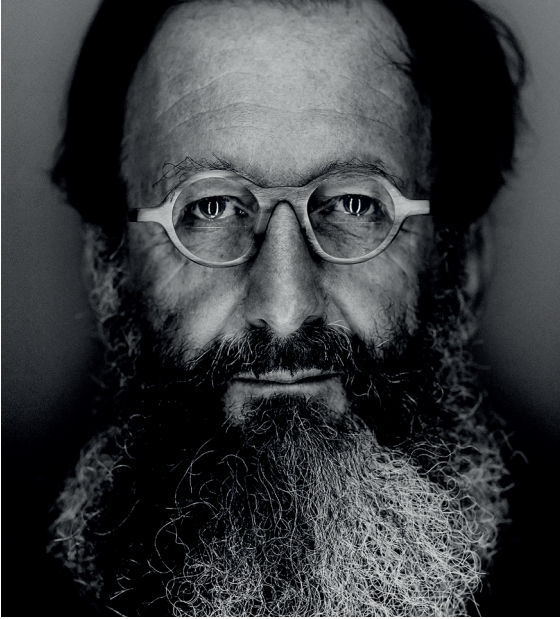


## DEDICATED TO

---

To fans of timeless shapes, in design, art and fashion, the Plissé collection has an unmistakable soul and look. These small appliances will definitely appeal to those who love to surround themselves with contemporary objects with distant roots.

## DESIGNER



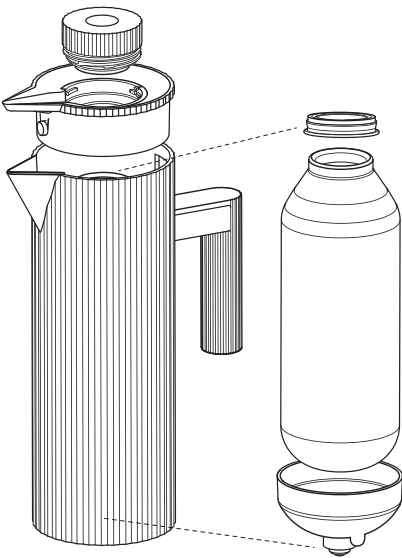
Born in 1951, **Michele De Lucchi** has been a leading figure on the Italian architecture and design scene, and has also conquered the international scene since the mid-1980s.

De Lucchi's work is constantly evolving: from architecture to product design, from academic work to corporate image consultancy. For Alessi he has designed objects with an immediately iconic design such as the Pulcina coffee maker and the Plissé series of domestic appliances.

"Fans of timeless shapes, in design, art and fashion, the Plissé collection has an unmistakable soul and look. These small appliances will definitely appeal to those who love to surround themselves with contemporary objects with distant roots."

◆ Michele De Lucchi

## COMPONENTS



Made up of a body with a thermoplastic resin cap and an internal double-walled thermal glass container. The cap has a stainless steel button to open/close dispensing of the drink. On the body, above the handle, there is a recessed button which opens the upper part of the jug and allows extracting the internal container.

## DESIGN NOTES

---

### **To show off**

A composition which hybrids classic echoes and contemporary lines, in a contrast with a strong sculptural impact. To be displayed like a work of art or an haute couture dress.

### **Functional aesthetics**

Lightweight and easy to use, the Plissé insulating jug does not hide how practical it is, integrating this with an iconic and timeless shape.

### **Always in the right place**

Ideal on any table, at home or at work, to always have your favourite drink within easy reach.

## USE AND MAINTENANCE

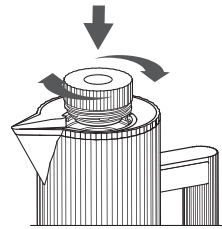
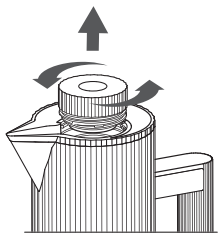
**[Simple to fill]** Unscrew the cap in an anti-clockwise direction and pour the drink into the jug (1). Close, taking care that the triangular symbol on the cap coincides with the same one on the lid of the jug. To ensure the temperature remains as best as possible, rinse it with warm water before filling with hot drinks and with cold water before filling with cold drinks.

**[Easy to use]** To serve the drink, you do not have to unscrew and remove the cap, but just press the button on the top of the jug and pour. To close it, press again in the centre of the cap in order to guarantee the jug retains the temperature.

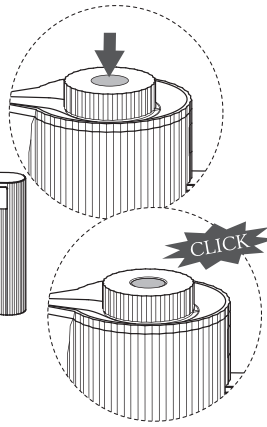
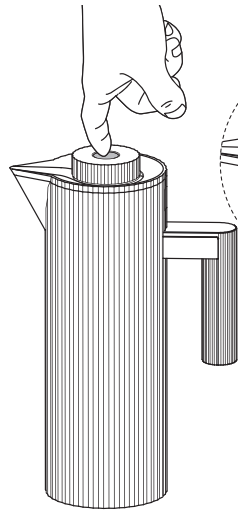
**[Capacious and performing]** Capable of keeping 1 litre of drinks hot for 12 hours and cool for 24 hours. The accurate design of the nozzle allows pouring correctly without dripping. After use, block again by pressing the button again.

**[Simple to clean]** Wash the inside and the cap with warm water and a washing-up detergent without abrasive substances and rinse. Do not immerse the jug in water. For the outside, use a damp cloth and a non-aggressive detergent. Do not wash the jug in a dishwasher.

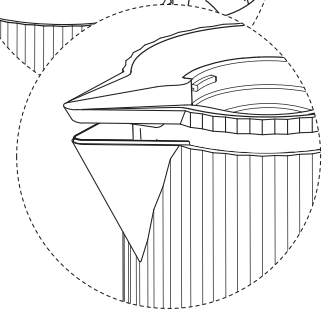
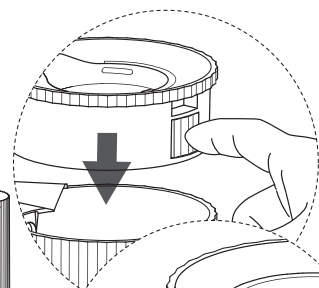
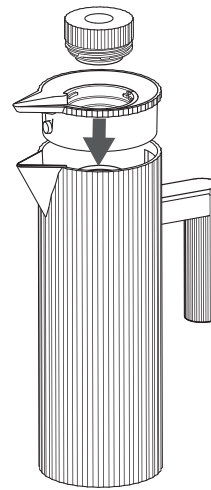
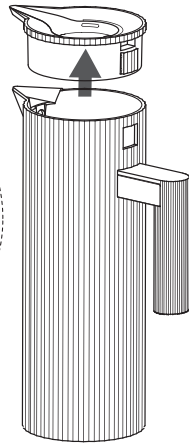
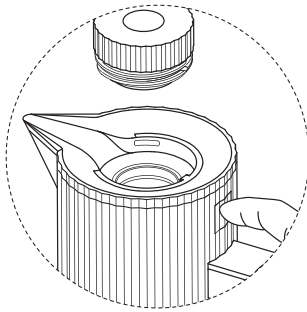
**[Easy to maintain over time]** If it is necessary to replace the internal thermal container, press the recessed button on the body of the jug above the handle and pull out the lid (3).



1



2



3

## PACKAGING



## CODES AND VARIANTS

---



MDL 12 B  
Design Michele De Lucchi, 2022  
Thermo insulated jug in thermoplastic resin.  
Double wall thermal glass inside, black.  
cl 100 - cm 20x11 - h cm 32



MDL 12 G  
Design Michele De Lucchi, 2022  
Thermo insulated jug in thermoplastic resin.  
Double wall thermal glass inside, grey.  
cl 100 - cm 20x11 - h cm 32



MDL 12 W  
Design Michele De Lucchi, 2022  
Thermo insulated jug in thermoplastic resin.  
Double wall thermal glass inside, white.  
cl 100 - cm 20x11 - h cm 32



MDL 12 R  
Design Michele De Lucchi, 2022  
Thermo insulated jug in thermoplastic resin.  
Double wall thermal glass inside, red.  
cl 100 - cm 20x11 - h cm 32

## PRODOTTI CORRELATI

---



DC03/41 LG - Tonale  
Design David Chipperfield, 2009  
Beaker in stoneware.  
Ø cm 8



DC03/41 - Tonale  
Design David Chipperfield, 2009  
Beaker in crystalline glass.  
Ø cm 8



NF04 - Nomu  
Design Naoto Fukasawa, 2017  
Double wall vacuum flask in 18/10 stainless steel  
and thermoplastic resin.  
cl 27 - Ø cm 6,4 - h cm 20





GIA24 R - Caffa  
Design Giulio Iacchetti, 2019  
Double wall travel mug in 18/10 stainless steel  
and thermoplastic resin, red.  
cl 40 - cm 9,5 x 9 - h cm 17