



Buy it for looks. Buy it for life.®

**DESCRIPTION**

- Metal construction with various finishes identified by suffix
- Flexible supply lines with 3/8" compression fittings
- Includes metal pop-up waste assembly
- Includes optional 3 hole deck plate (escutcheon)

**OPERATION**

- Lever style handle
- Temperature controlled by 100° arc of handle travel

**FLOW**

- Flow is limited to 1.5 gpm max (5.7L/min) at 60 psi

**CARTRIDGE**

- 1255™ Duralast™ cartridge
- Nonmetallic/nonferrous and ceramic material

**STANDARDS**

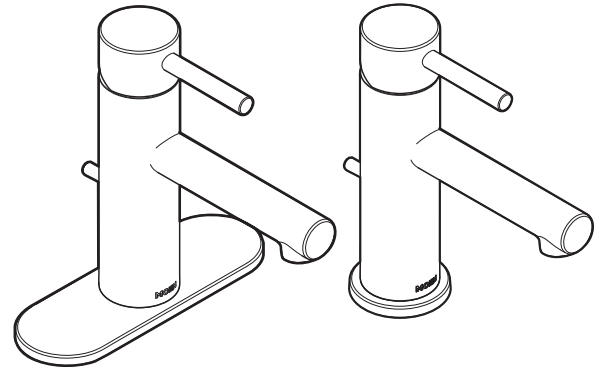
- Third party certified to WaterSense,® ASME A112.18.1/CSA B125.1, and all applicable requirements referenced therein including NSF61/9
- Contains no more than 0.25% weighted average lead content
- Complies with California Proposition 65 and with the Federal Safe Drinking Water Act

- **ADA** for lever handle

**WARRANTY**

- Lifetime limited warranty against leaks, drips and finish defects to the original consumer purchaser
- 5 year warranty if used in commercial installations

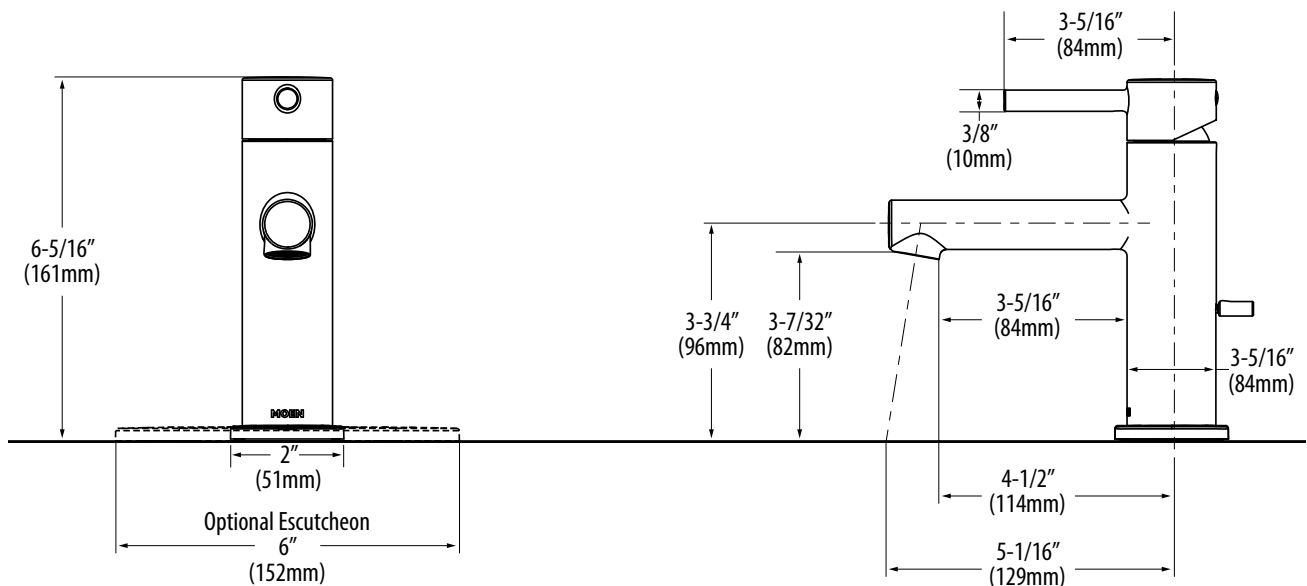
# Specifications



## ALIGN™ Single-Handle Lavatory Faucet

**Models:** 6190 series

**NOTE:** THIS FAUCET IS DESIGNED TO BE INSTALLED THRU 1 HOLE, 1-1/4" MIN. DIA.



### CRITICAL DIMENSIONS

(DO NOT SCALE)