

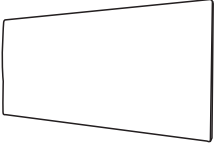


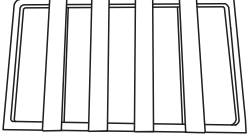
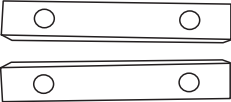
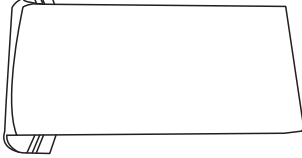
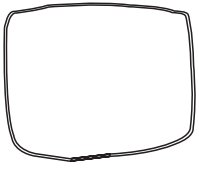
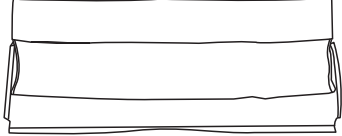
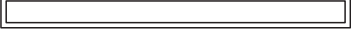

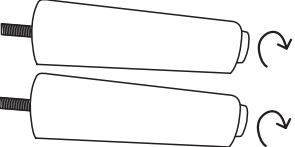





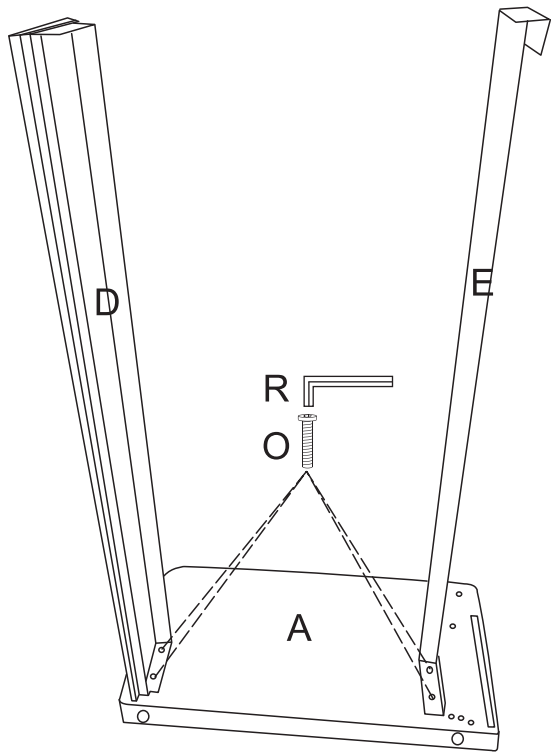
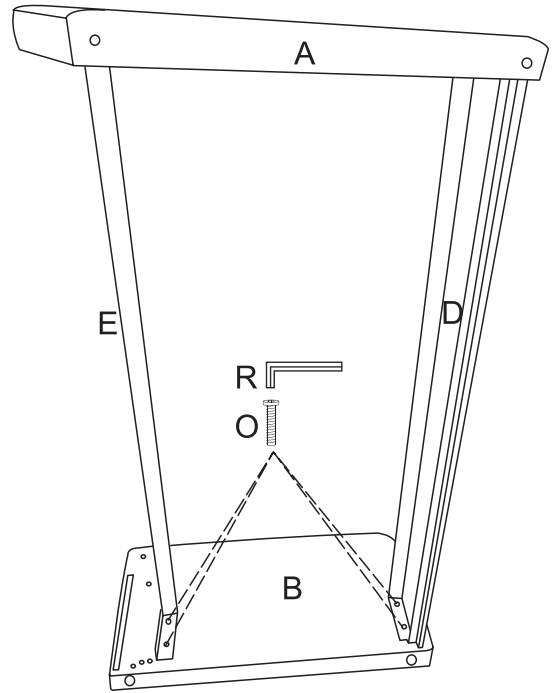


Assembly Instruction

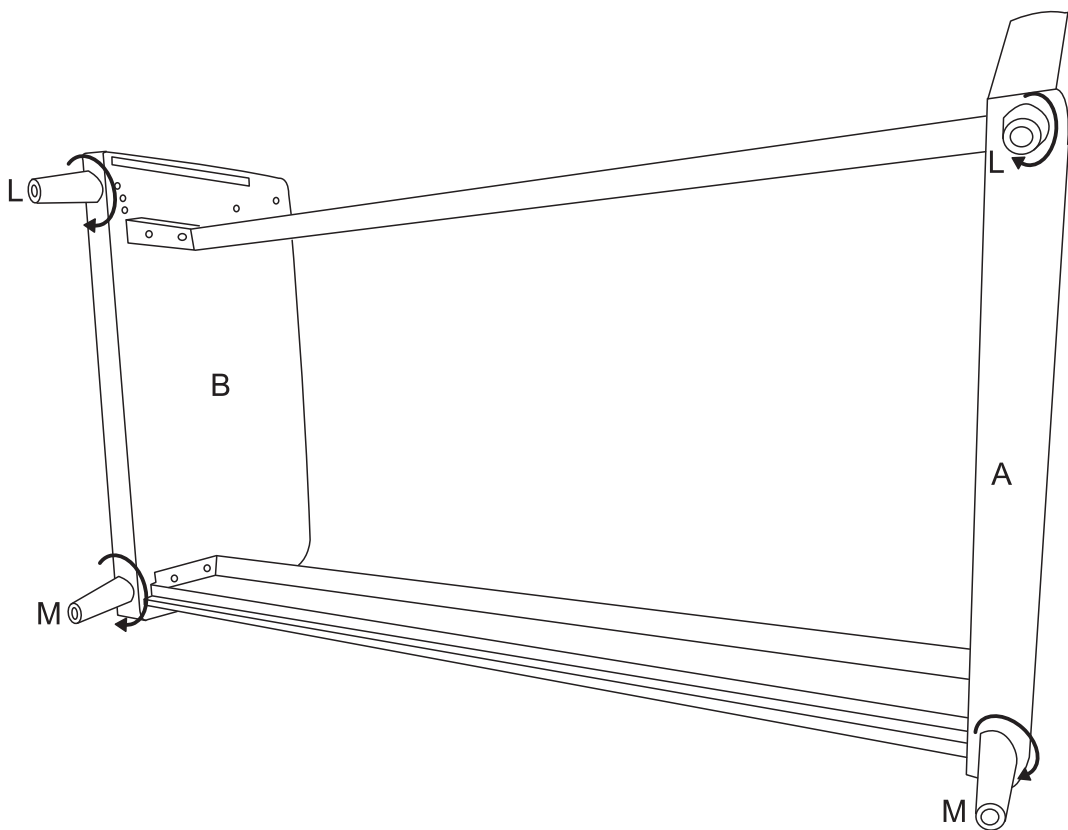
<p>Ax1 Armrest Right-hand side</p>		<p>Bx1 Armrest Left-hand side</p>	
<p>Cx1 Seat pad frame</p>		<p>Dx1 Seat front panel</p>	
<p>Ex1 Seat back connection bar</p>		<p>Fx2 Backrest frame</p>	
<p>Gx2 Backrest frame connection bar</p>		<p>Hx2 Seat cushion Being compressed</p>	
<p>Ix2 Back cushion Being compressed</p>		<p>Jx1 Back frame cover</p>	
<p>Kx1 Fabric strip for covering light</p>		<p>Lx2 Back legs</p>	
<p>Mx2 Front legs With leveling feet</p>		<p>Nx1 Under-seat connection bar</p>	
<p>Ox12 M8x30mm</p>		<p>Px4 M8x45mm</p>	
<p>Qx4 M6x20mm</p>		<p>Rx1 Allen key M6</p>	 <p>Allen key M6</p>



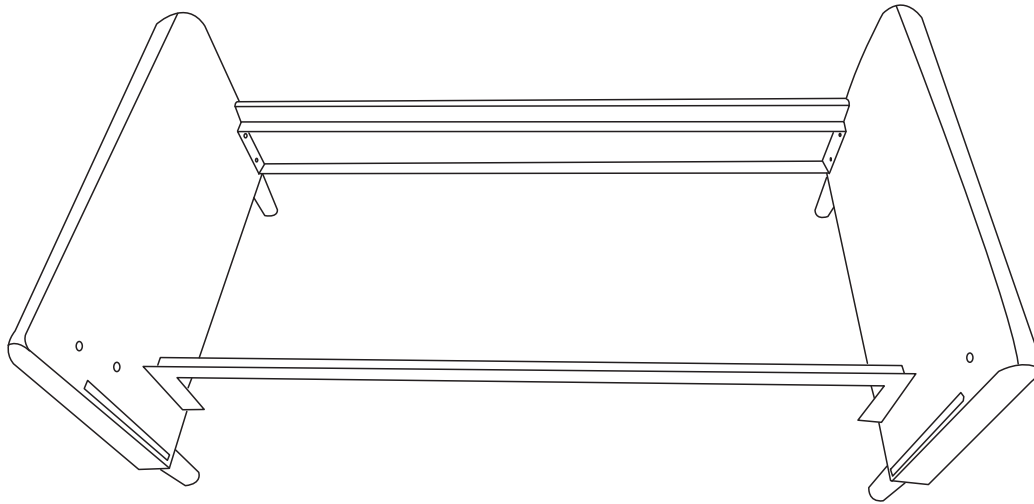
1. SCREW IN THE BOLTS(OX4PCS) TO ASSEMBLE ARMREST RIGHT-HAND SIDE(A) / SEAT FRONT PANEL(D) AND SEAT BACK CONNECTION BAR(E). TIGHTEN ALL BOLTS TO 100%.



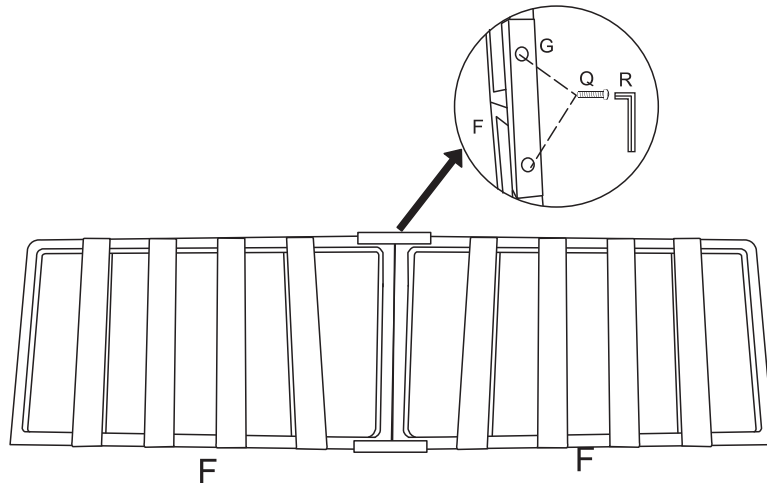
2. SCREW IN THE BOLTS(OX4PCS) TO ASSEMBLE ARMREST LEFT-HAND SIDE(B) / SEAT FRONT PANEL(D) AND SEAT BACK CONNECTION BAR(E). TIGHTEN ALL BOLTS TO 100%.



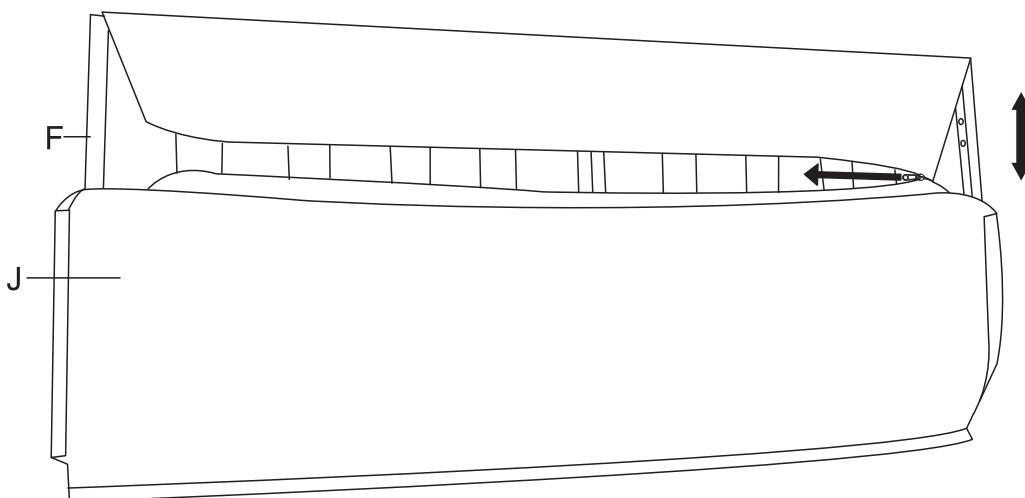
3. SCREW IN THE LEGS TO ASSEMBLE ONTO THE ARMRESTS. PAY ATTENTION TO FRONT AND BACK LEGS ARE DIFFERENT.



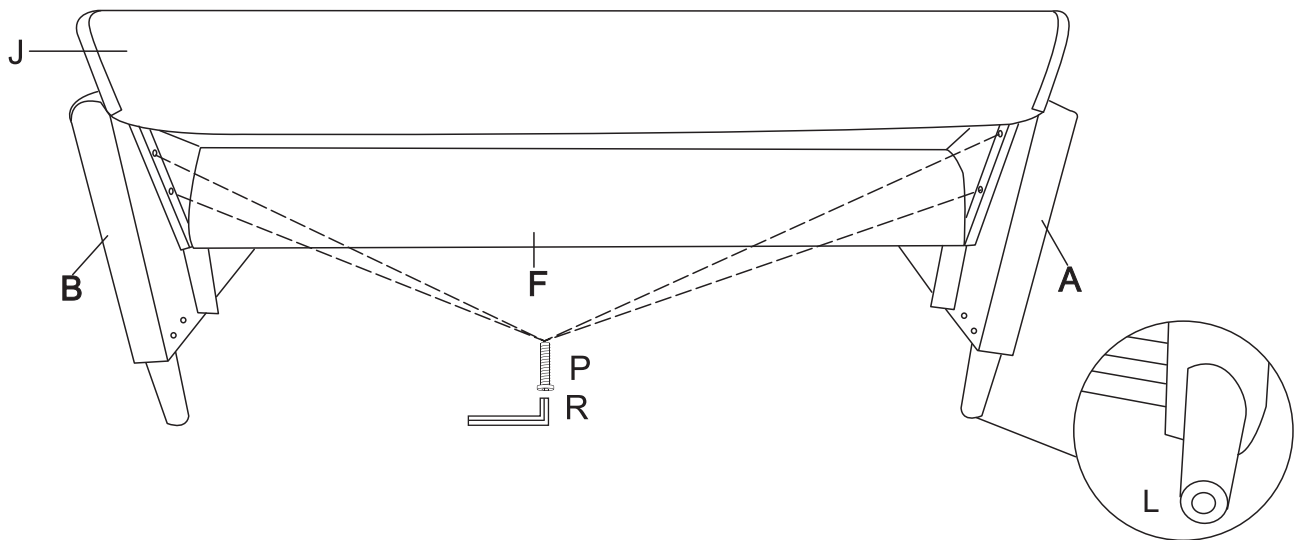
4. PUT THE SOFA UPRIGHT AND MAKE SURE IT IS LEVEL. THE ADJUSTABLE LEVELING FEET CAN BE USED TO GET CHAIR IN LEVEL.



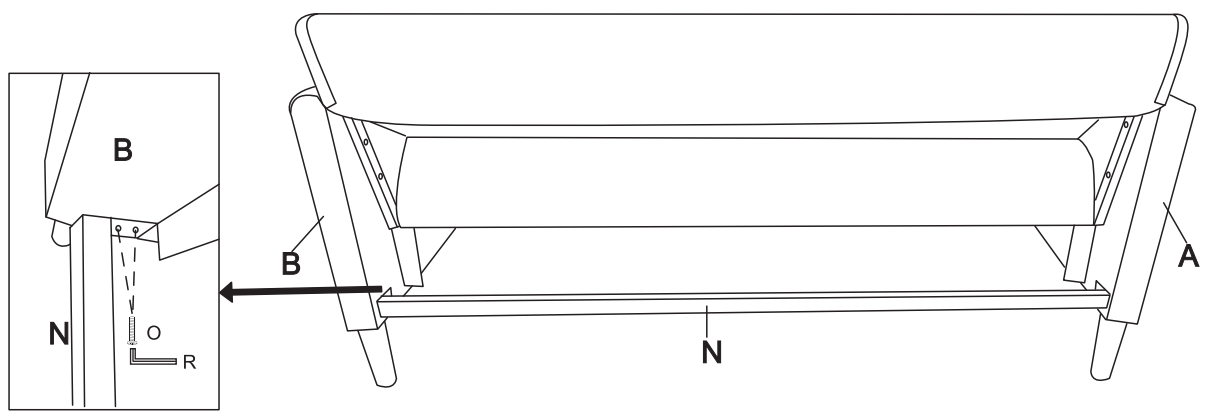
5. SCREW IN THE BOLTS(QX4PCS) TO ASSEMBLE THE BACKREST FRAME(F) AND THE CONNECTION BAR(G). MAKE SURE ALL BOLTS ARE TIGHTEN TO 100%.



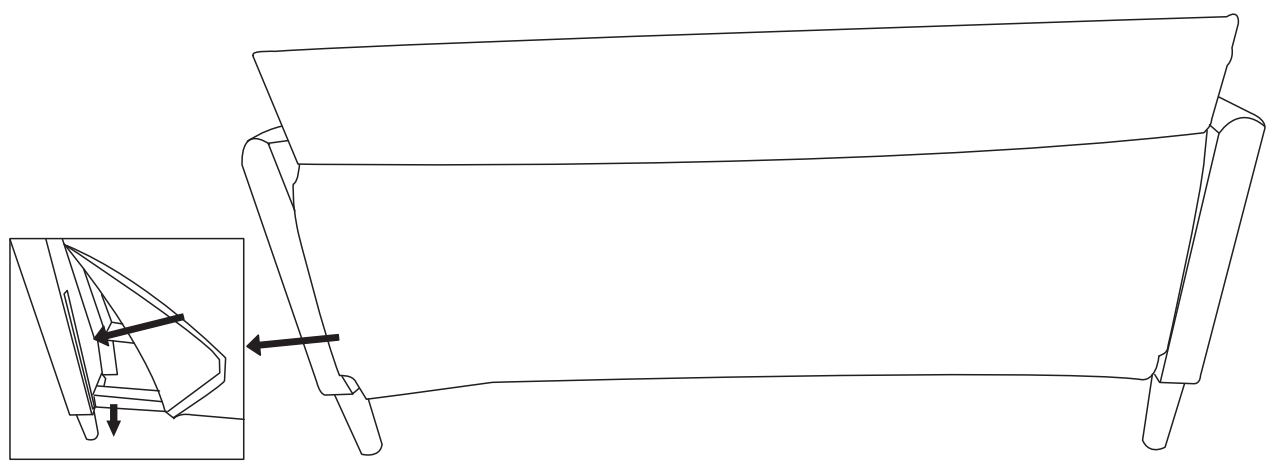
6. ZIP IN TO ASSEMBLE THE BACKREST FRAME(F) AND FABRIC COVER(J). MAKE SURE THE FRAME'S ROUND CORNERS ARE AT UP SIDE AND THE SCREW HOLES ARE AT DOWN SIDE.



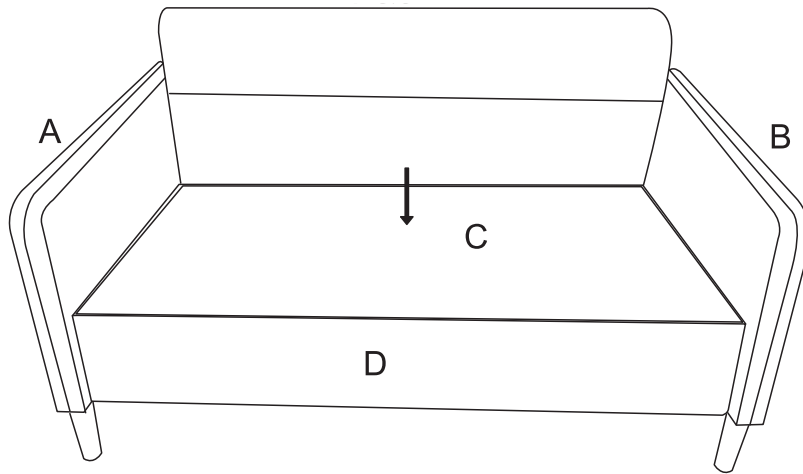
7. SCREW IN THE BOLTS(PX4PCS) TO ASSEMBLE THE BACKREST FRAME(F) AND ARMRESTS(A&B). DO NOT TIGHTEN ALL BOLTS TO 100% UNTIL ALL BOLTS ARE IN CORRECT POSITIONS.



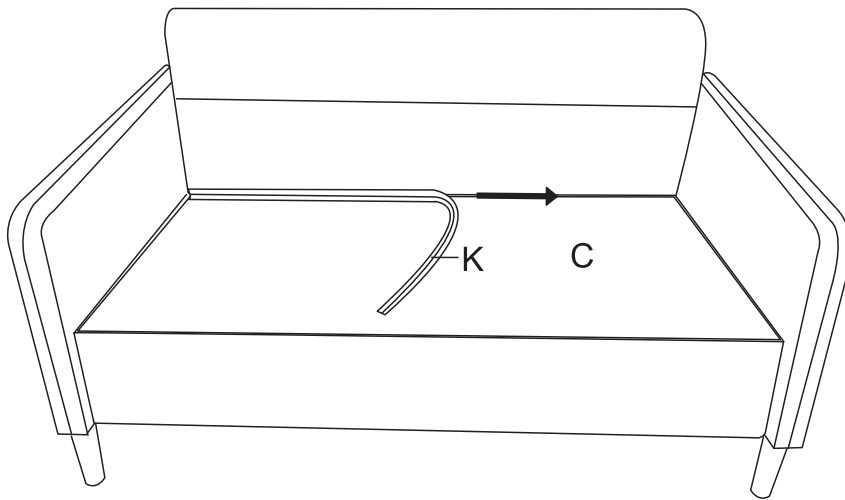
8. SCREW IN THE BOLTS(OX4PCS) TO ASSEMBLE UNDER-SEAT CONNECTION BAR(N) AND ARMRESTS(A&B). DO NOT TIGHTEN ALL BOLTS TO 100% UNTIL ALL BOLTS ARE IN CORRECT POSITIONS.



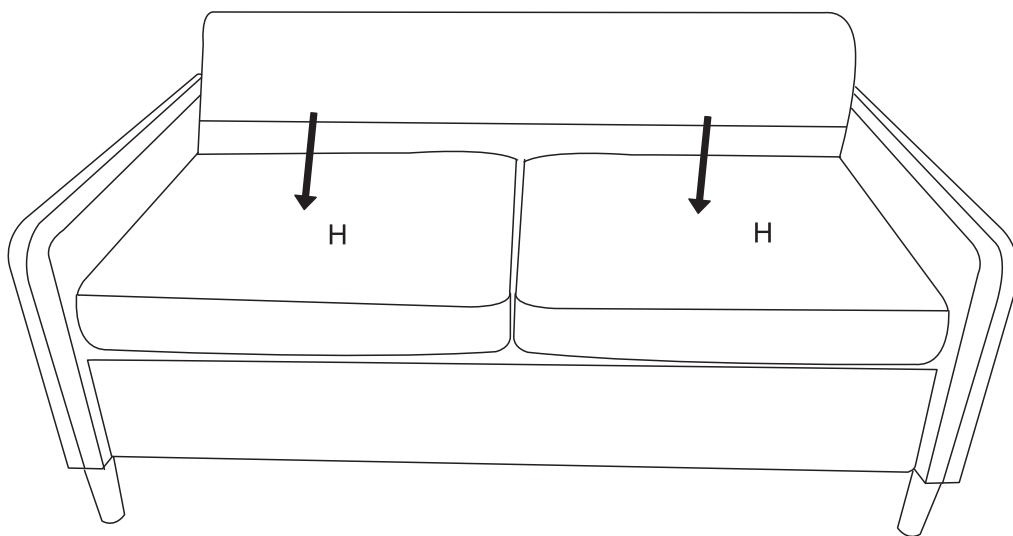
9. ATTACH THE BACKREST COVER(J) TO UNDER-SEAT CONNECTION BAR(N) AND ARMRESTS(A&B) BY USING THE VELCRO. MAKE SURE IT IS STRAIGHT AND SMOOTH.



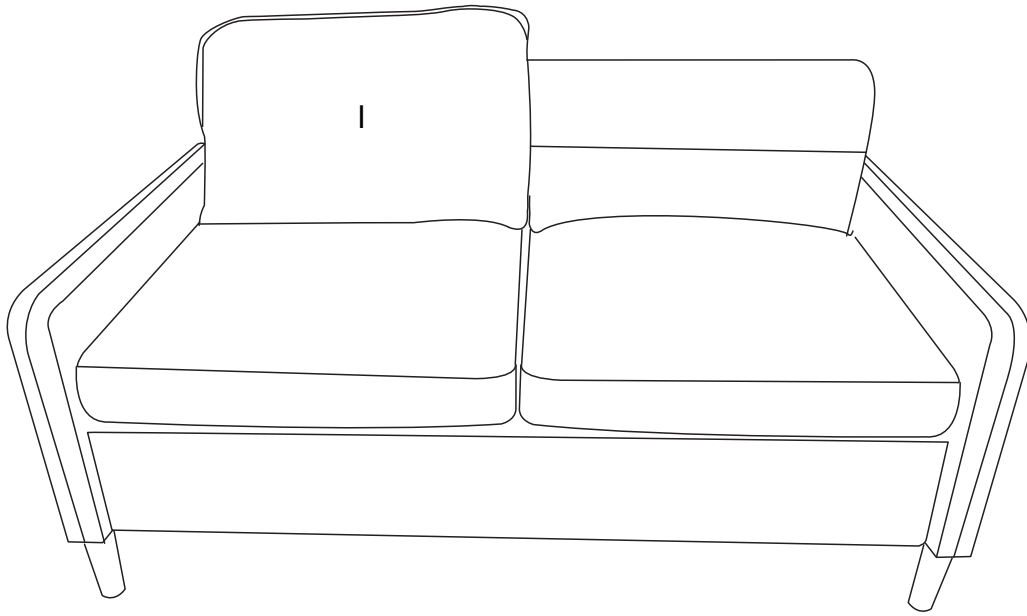
10. PUT THE SEAT PAD FRAME(C) ONTO THE FRONT SEAT PANEL(D) AND SEAT BACK CONNECTION BAR(E). MAKE SURE THERE IS NO GAP.



11. ATTACH THE FABRIC STRIP ONTO BACKREST COVER(J) AND SEAT PAD(C) BY USING THE VELCRO.



12. TAKE OUT THE SEAT CUSHION(H) OUT FROM COMPRESSED BAG AND TAKE OFF THE FABRIC COVERING ON THE VELCRO, THEN PUT ONTO SEAT PAD FRAME. IT MAY TAKE SOME TIME FOR COMPRESSED SEAT CUSHION GET RECOVERED.



13.TAKE OUT THE BACK CUSHION(1) OUT FROM COMPRESSED BAG AND PUT ON TO THE SOFA. IT MAY TAKE SOME TIME FOR COMPRESSED CUSHION GET RECOVERED. ASSEMBLE COMPLETED.

