

## GLOWTONE ADA COMPLIANT SERIES

### Topmount Single Bowl Model A1722-7BS



A1722-7BS

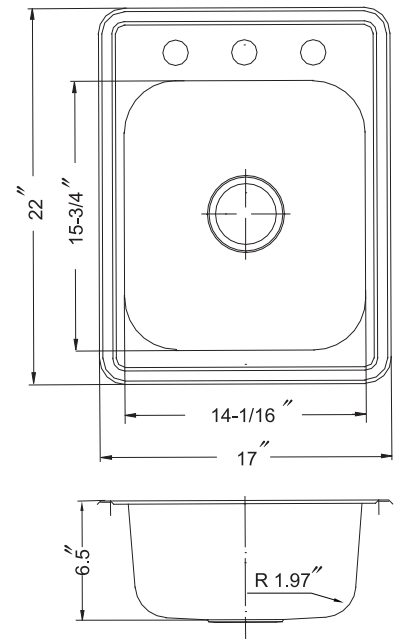
#### FEATURES

- Premium grade T-304 stainless steel
- 6-1/2" depth • 3 holes • ADA Compliant
- 22 gauge
- Super-Silencer pad
- Lustrous satin with highlighted rim
- Fits 21" sink base
- 3-1/2" drain opening
- Supplied with fasteners and instructions
- Complies with ASME A112.19.3-2000, UPC®
- Lifetime Limited Warranty



#### OPTIONAL ACCESSORIES

- Bottom Grid: BG-3100
- Cutting Board : CB-3100
- Strainer: 190-9180



OVERALL DIMENSIONS	EACH BOWL	CUTOUT SIZE	PACKAGING*	WEIGHT*
17" x 22"	14-1/16" x 15-3/4"	13-5/16" x 21-1/4"	1/16/40 pcs.	9/180/260 lbs.

\*Standard packaging: Single boxed /Pallet of single boxed/Pallet of bulk pack.  
All dimensions are in inches. Specifications subject to change without notice.

Project/Job name \_\_\_\_\_

Architect/Engineer \_\_\_\_\_

Contractor \_\_\_\_\_

Model \_\_\_\_\_ Q'ty \_\_\_\_\_

Notes \_\_\_\_\_

#### Installation profile

