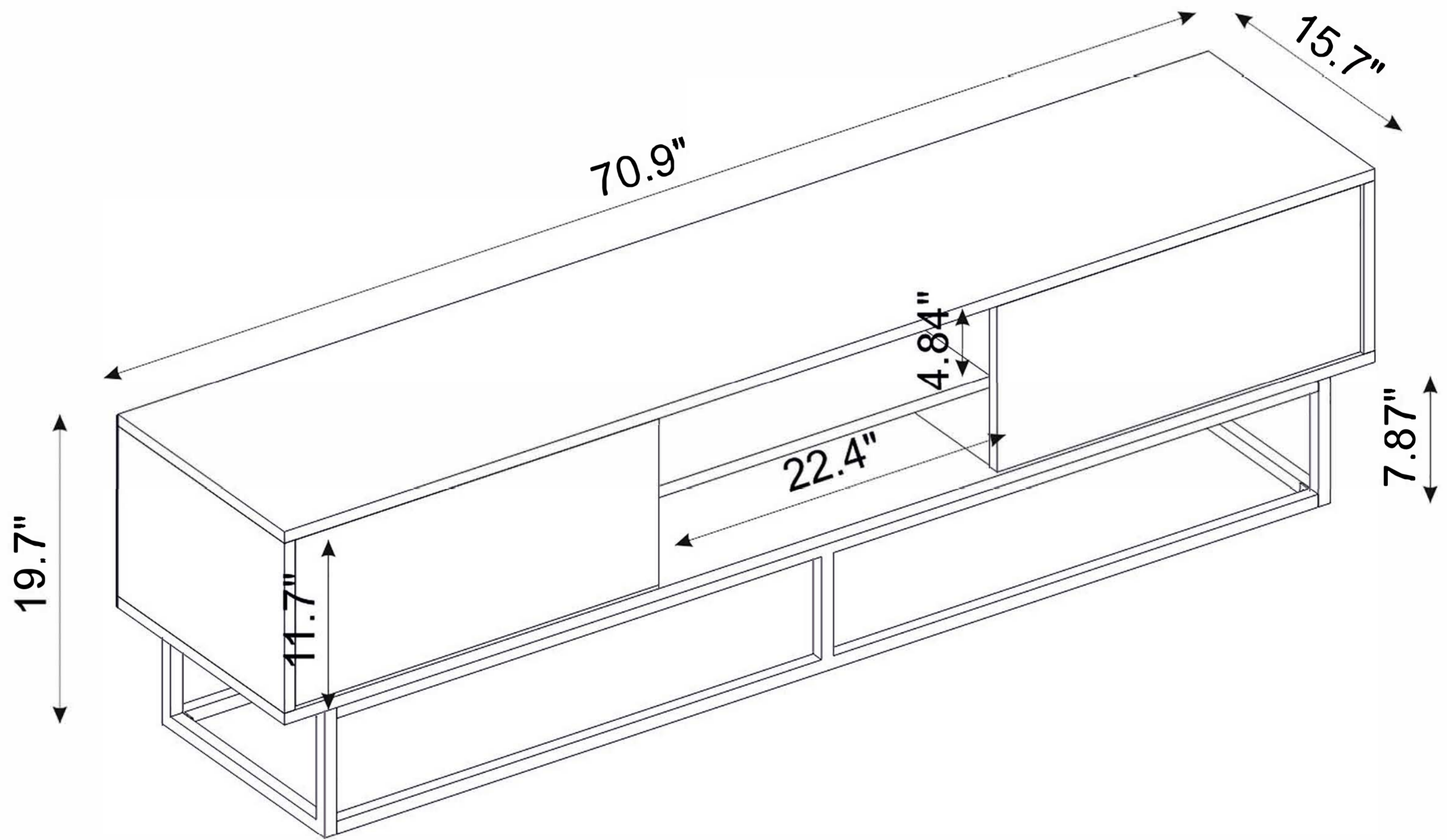


# Product Measurement Information



Measurements in "inch"