

ASSEMBLY INSTRUCTIONS

QUEEN STORAGE BED

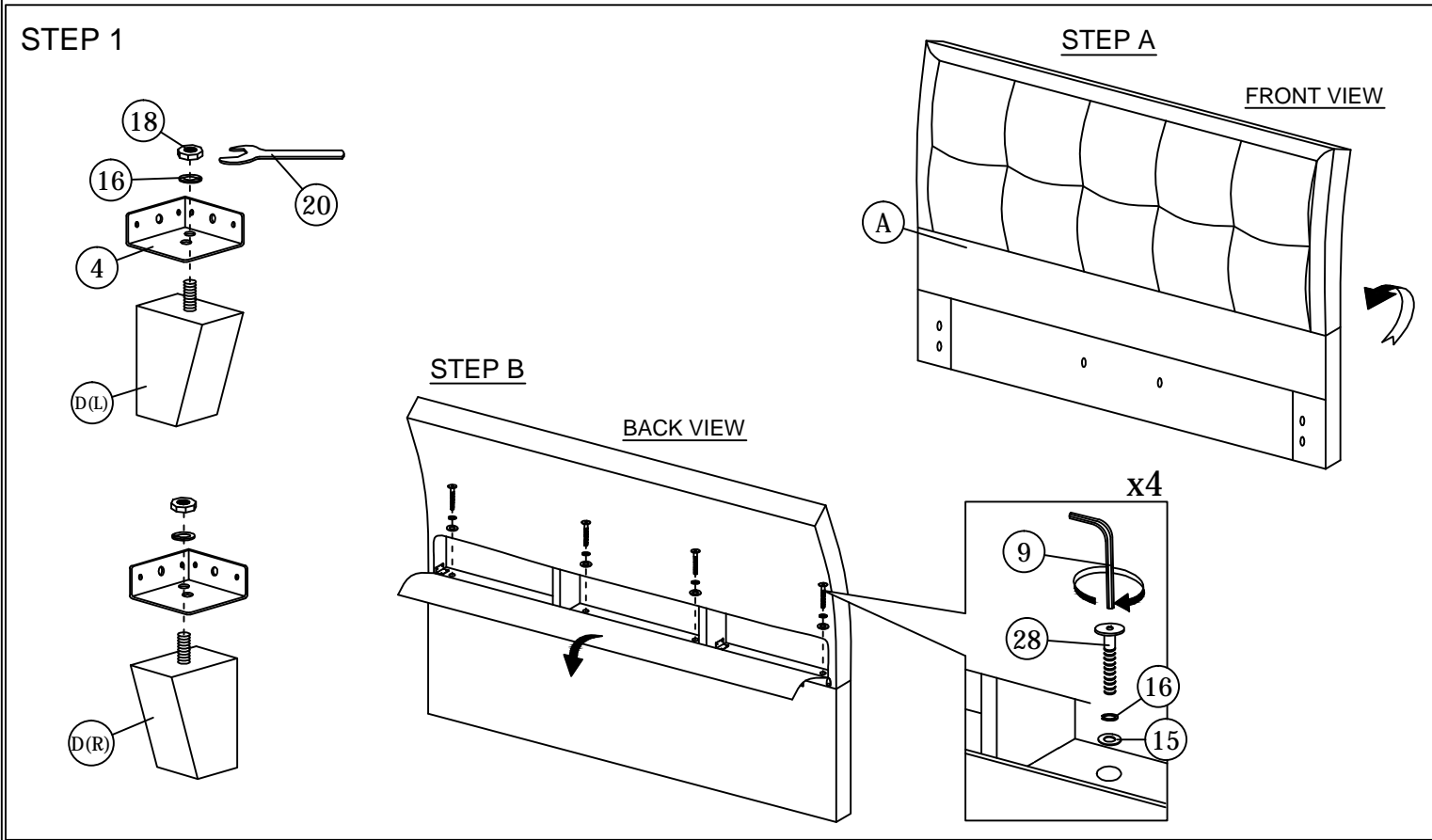
Read this instruction carefully. See hardware and furniture part list for guidance. Be sure all parts are complete, before you assemble. Place all wooden furniture parts on a clean and flat soft surface to prevent from being scratched. Follow the figure to start assembling.

CAUTIONS : 1. Do not FULLY - TIGHTEN the nut or nut bolt until all nut or bolt is ready assembled.
2. Do not OVER - TIGHTEN the nut or bolt to avoid causing damages to the thread.
3. Keep all hardware parts out of reach of children.

NOTE : THE LIST AND QUANTITY SHOWN ARE FOR 1 UNIT ASSEMBLY.
PLEASE USE THE ABOVE CHECK LIST TO ENSURE ALL HARDWARE IS INCLUDED.
Tool needed : Screwdriver (not provider).

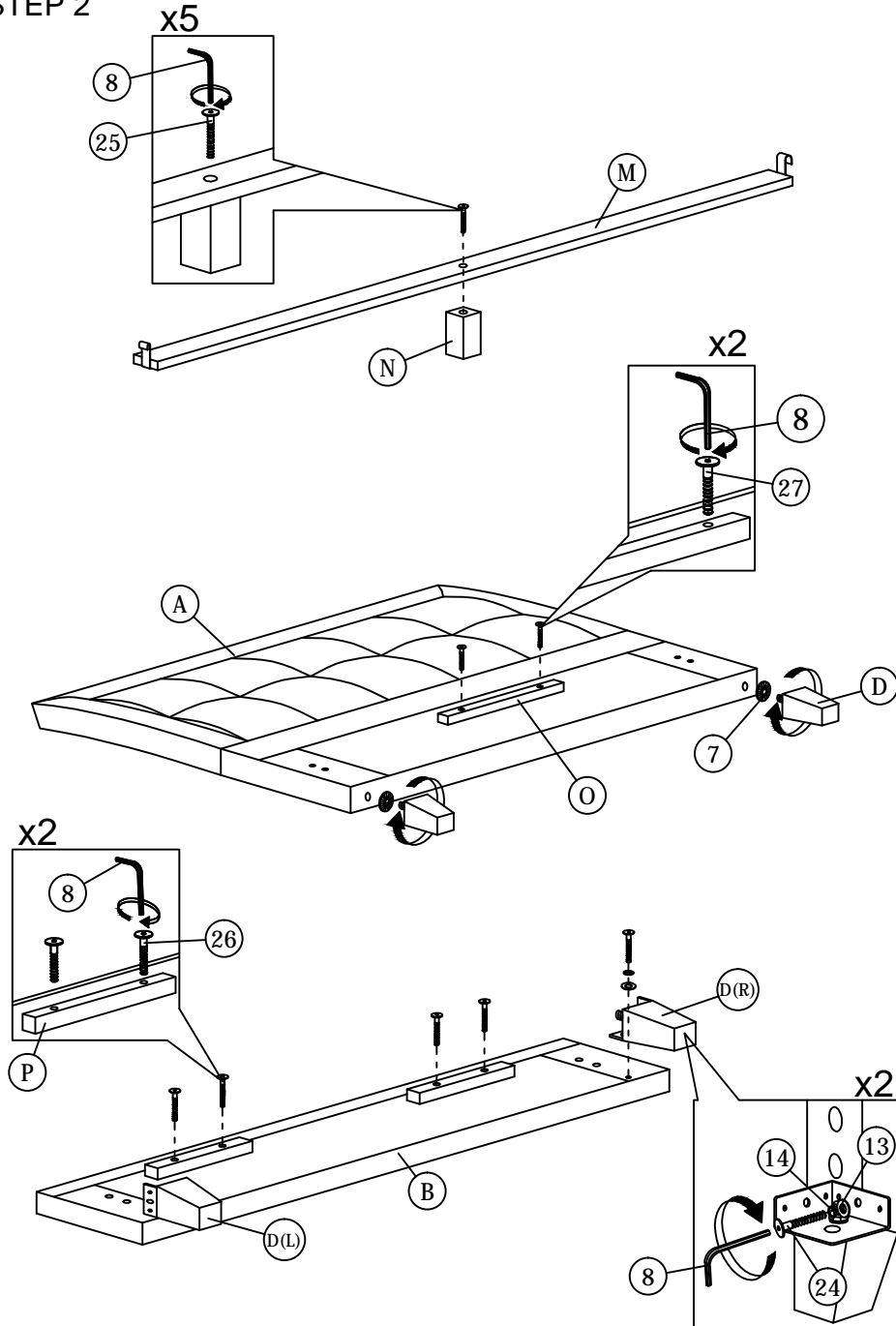
PART LIST		
ITEM	DESCRIPTION	QTY
A	HEADBOARD	1 PC
B	FOOTBOARD	1 PC
C	SIDE RAIL	2 PCS
D	BED LEG	4 PCS
E	HANDLE	2 PCS
F	METAL FRAME	1 SET
G	BED SLAT	26 PCS
H	PP TAPE	1 PC
I	GAS SPRING	2 PCS
J	METAL SUPPORT LEG	1 PC
K	2 SMALL ANGLE	2 PCS
L	CENTER SUPPORT	1 PC
M	HORIZONTAL SUPPORT WOOD	5 PCS
N	CENTER SUPPORT LEG	5 PCS
O	HEADBOARD SUPPORT WOOD	1 PC
P	FOOTBOARD SUPPORT WOOD	2 PCS
Q	BOTTOM SUPPORT BOARD	4 PCS

HARDWARE LIST		
ITEM	DESCRIPTION	QTY
1	JCBB BOLT M8 x 30mm	16 PCS
2	BED SLAT SIDE FITTER	26 PCS
3	BED SLAT CENTER FITTER	13 PCS
4	201 LEG BRACKET	2 PCS
5	Wood Screw M3.5 x 16mm	4 PCS
6	Wood Screw M4 x 20mm	8 PCS
7	PVC BLACK WASHER	2 PCS
8	M4 ALLEN KEY (BALL SHAPE)	1 PC
9	M5 ALLEN KEY (BALL SHAPE)	1 PC
10	JCBC Bolt M6 x 40mm	6 PCS
11	JCBB Bolt M8 x 40mm	4 PCS
12	JCBB Bolt M8 x 70mm	8 PCS
13	M6 FLAT WASHER	8 PCS
14	M6 SPRING WASHER	8 PCS
15	M8 FLAT WASHER	20 PCS
16	M8 SPRING WASHER	22 PCS
17	M6 HEX NUT	6 PCS
18	M8 HEX NUT	18 PCS
19	SPANNER (10mm)	1 PC
20	SPANNER (13mm)	1 PC
21	SPECIAL HEX NUT	6 PCS
22	JCBC BOLT M8 x 20mm	4 PCS
23	HANDLE SCREW M8 x 70mm	2 PCS
24	JCBC Bolt M6 x 20mm	4 PCS
25	JCBC Bolt M6 x 35mm	5 PCS
26	JCBC Bolt M6 x 60mm	4 PCS
27	JCBC Bolt M6 x 70mm	2 PCS
28	JCBB Bolt M8 x 50mm	4 PCS



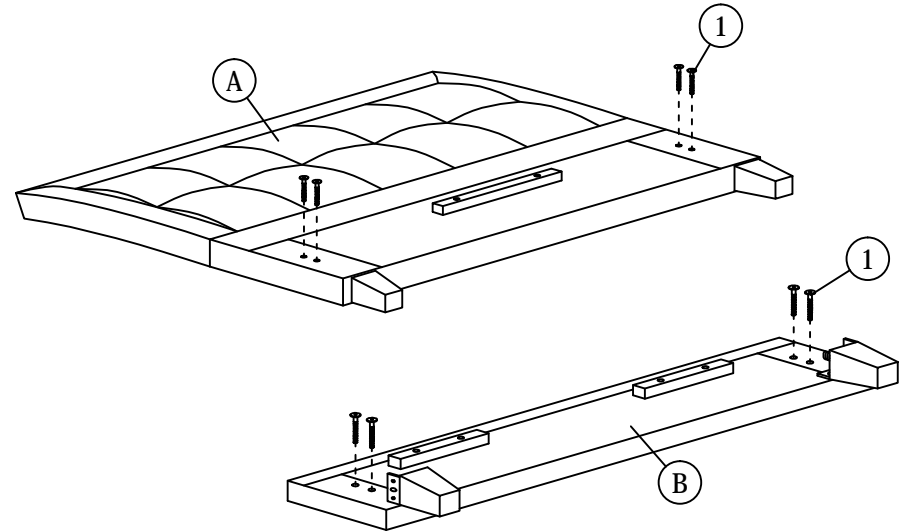
ASSEMBLY INSTRUCTIONS

STEP 2

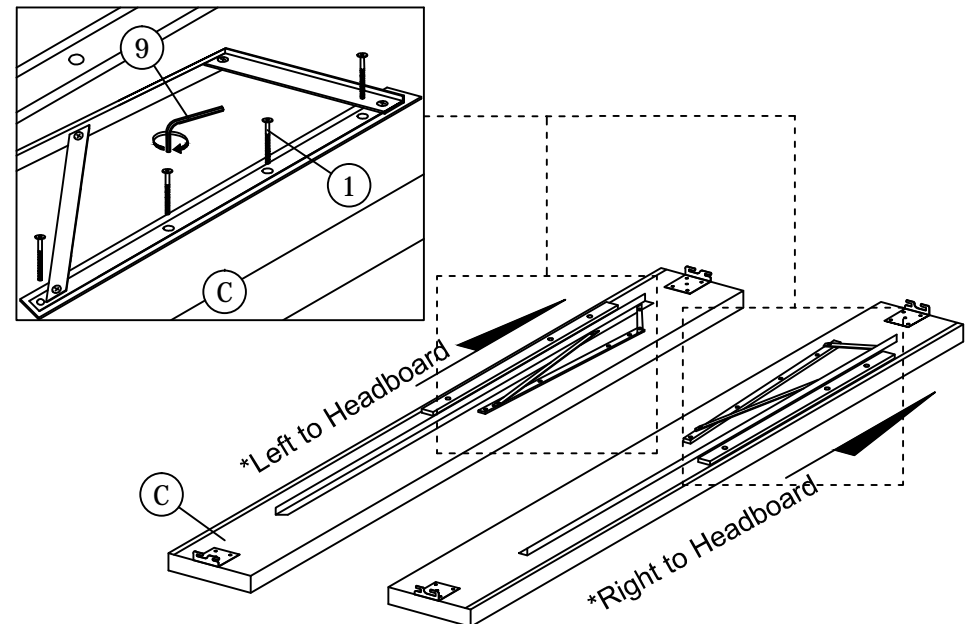


STEP 3

Loosely fit bolt (1) into Headboard (A) & Footboard (B) as picture shown.



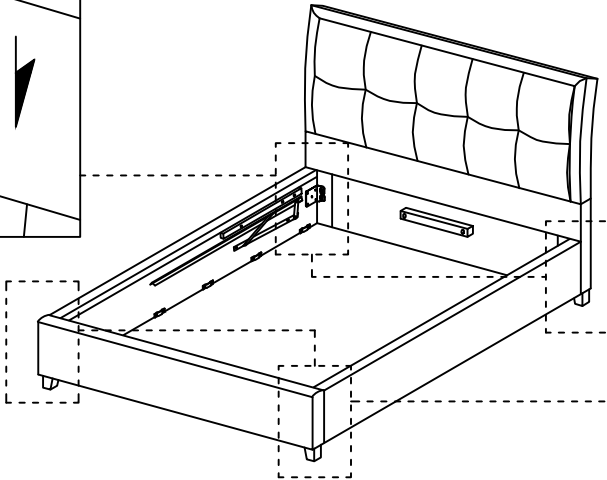
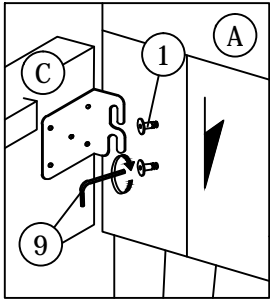
STEP 4



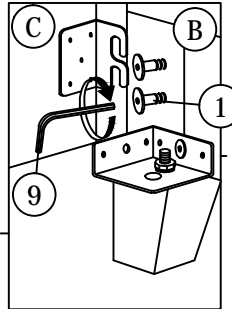
ASSEMBLY INSTRUCTIONS

STEP 5

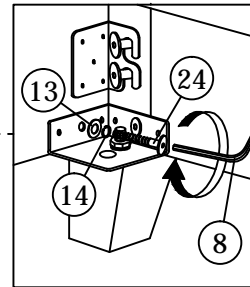
STEP A



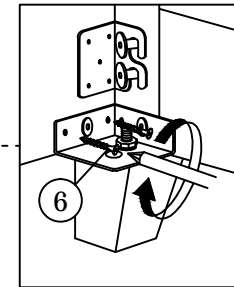
STEP B



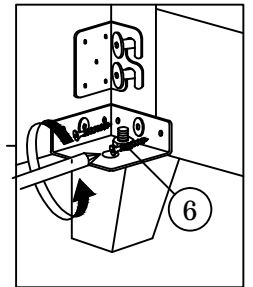
STEP C



STEP D

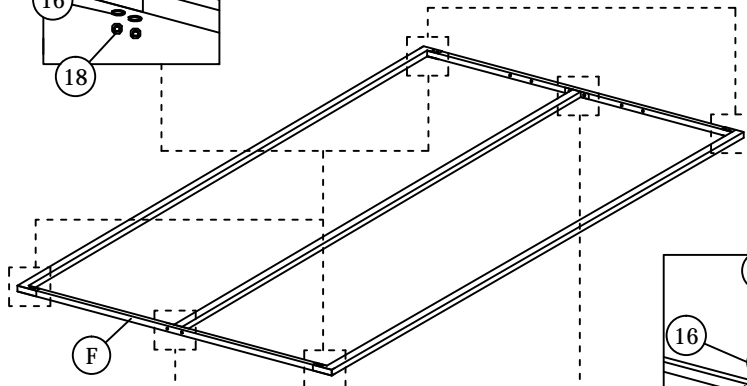
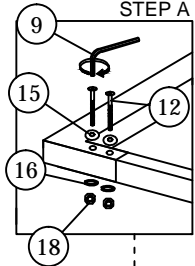


STEP E

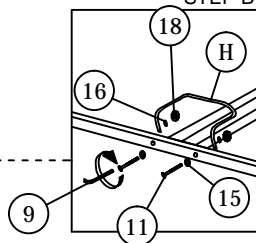


STEP 6

STEP A

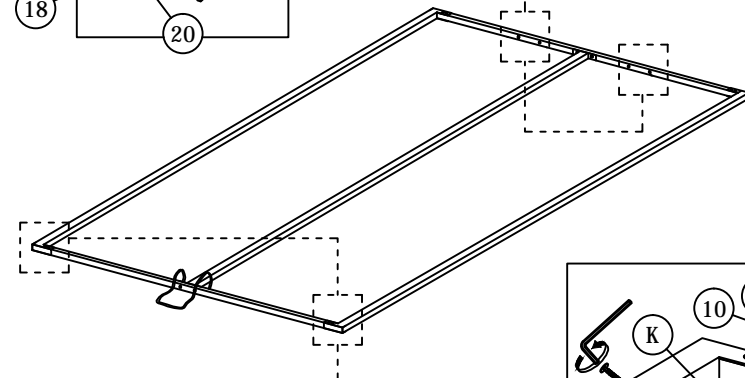
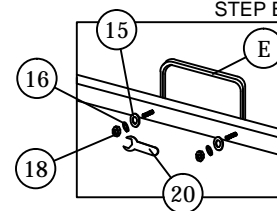


STEP B

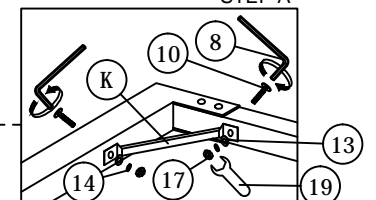


STEP 7

STEP B

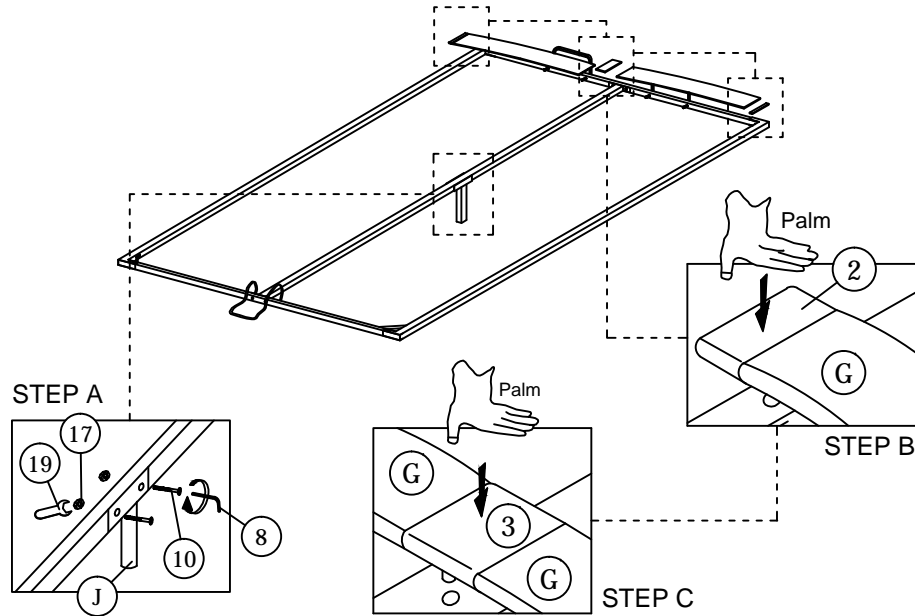


STEP A

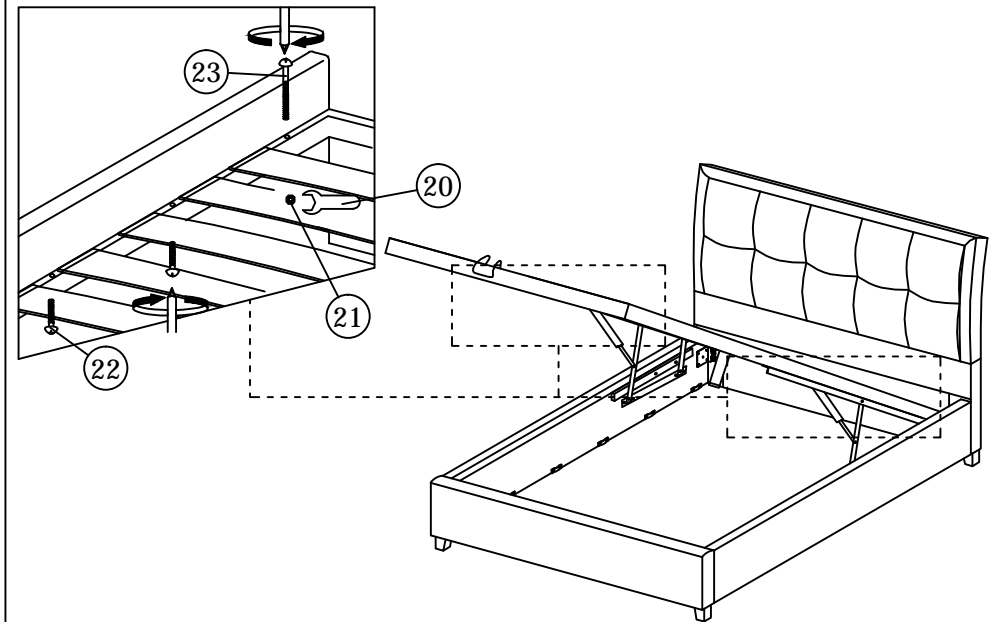


ASSEMBLY INSTRUCTIONS

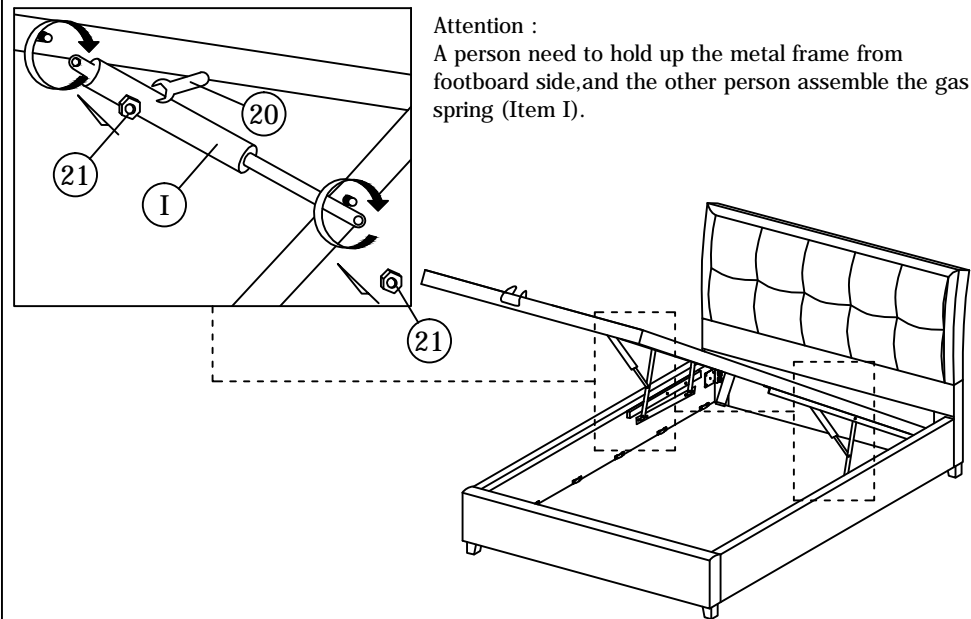
STEP 8



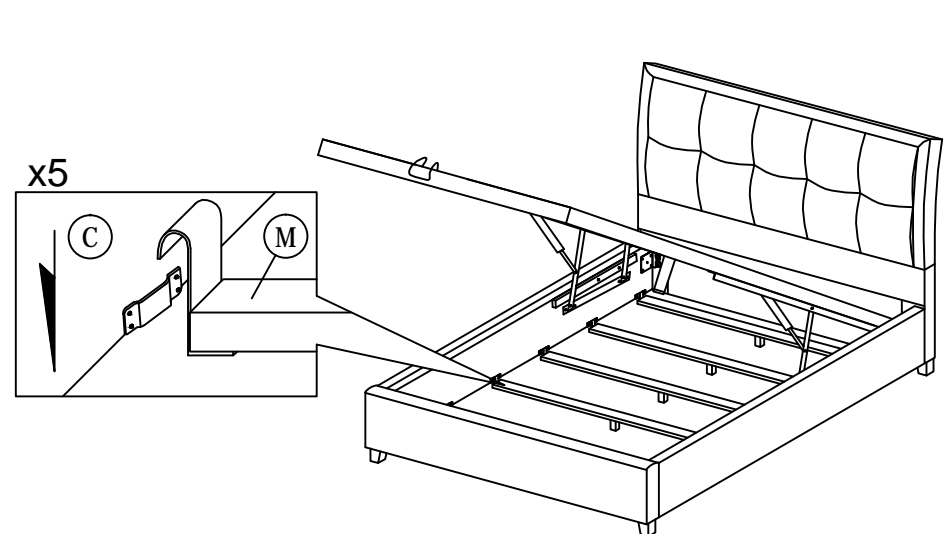
STEP 9



STEP 10

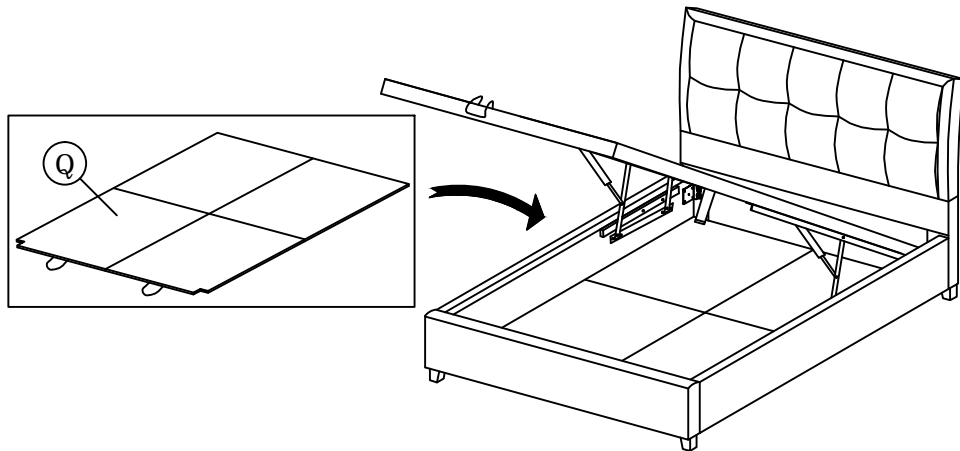


STEP 11



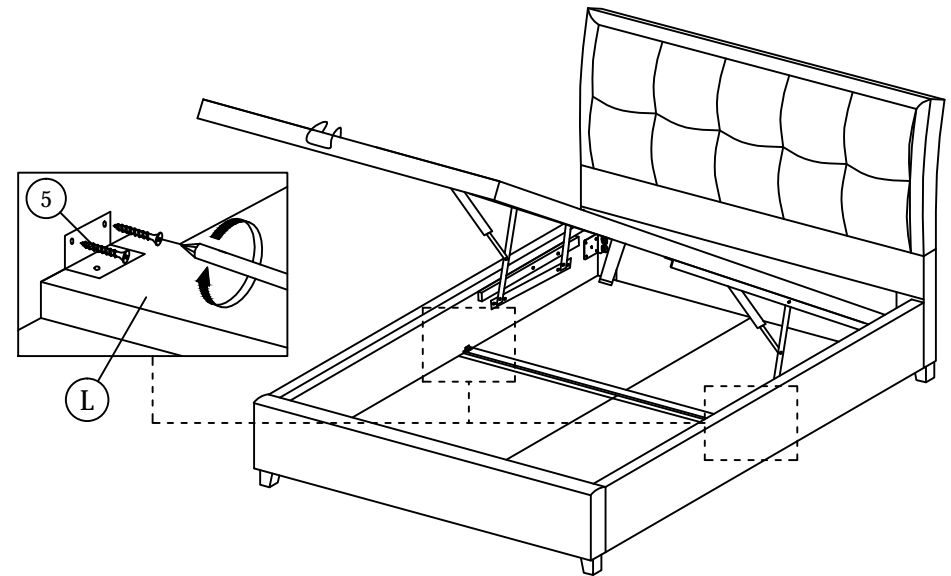
ASSEMBLY INSTRUCTIONS

STEP 12



STEP 13

Note : Follow the line drawing to assemble the center support.



STEP 14

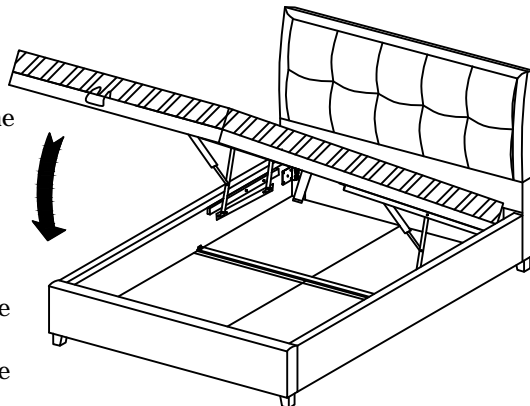
Attention :

1. Place your mattress onto the bed frame BEFORE closing or this could result in damage to the bed (MATTRESS NOT INCLUDED) .

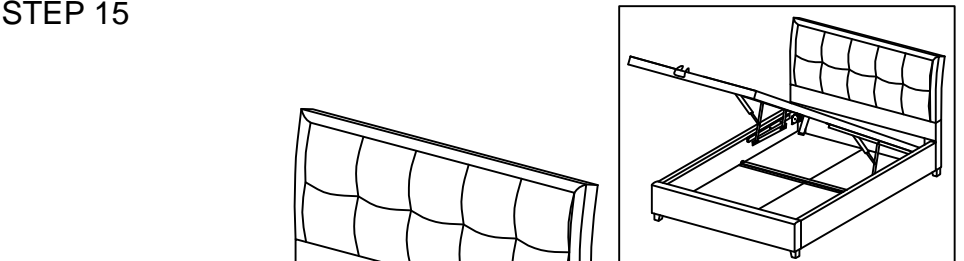
2. It is imperative that the bed is aligned squarely to prevent the frame from catching on and damaging the upholstered side rails. Please use extra caution when opening and closing the bed for the first few times.

Ensure a similar spacing on each side of the frame.

Ensure open and close the bed frame thru center of bed by using PP tape on center of metal frame.



STEP 15



Attention :

To ensure your bed frame remains in optimum condition, please periodically check all the screw and re-tightening if necessary.