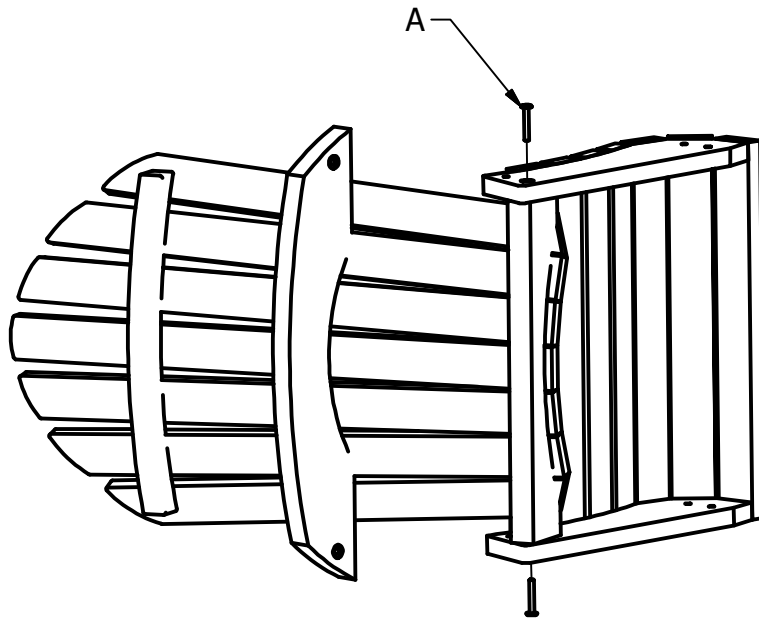


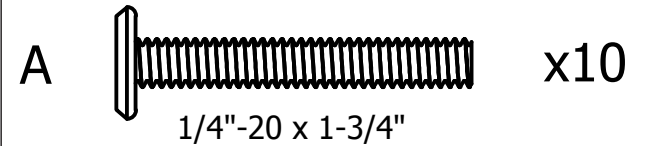
# Deck Chair

## Assembly Guide



- 1) Insert an A bolt into lower hole to on each side attach Seat to Back. Make sure the back is fully upright. Make bolts snug, but do not overtighten.

### HARDWARE

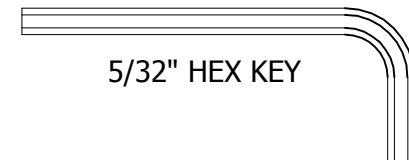


### **IMPORTANT!**

DO NOT fully tighten the bolts until all bolts are started. Once all bolts are inserted, go back & tighten all the bolts.

Retain these instructions for future reference

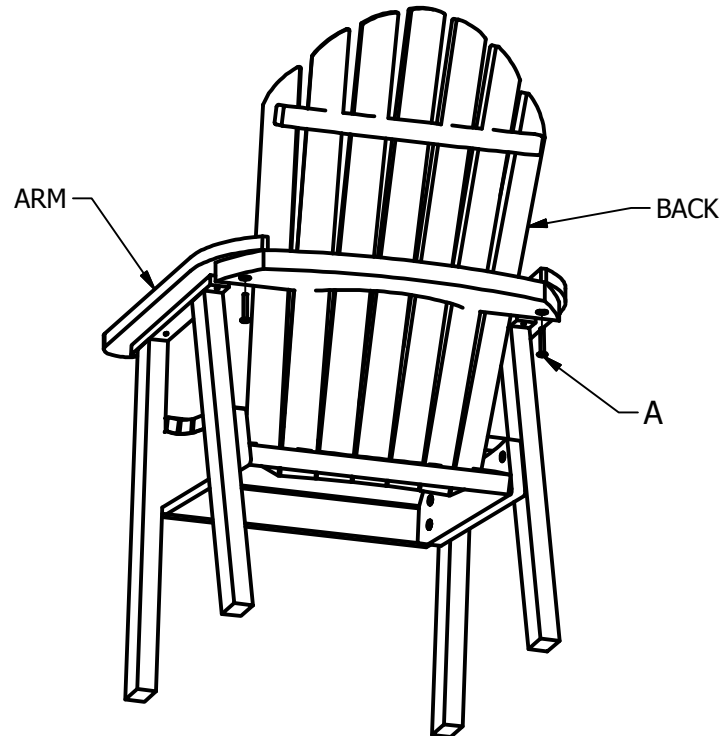
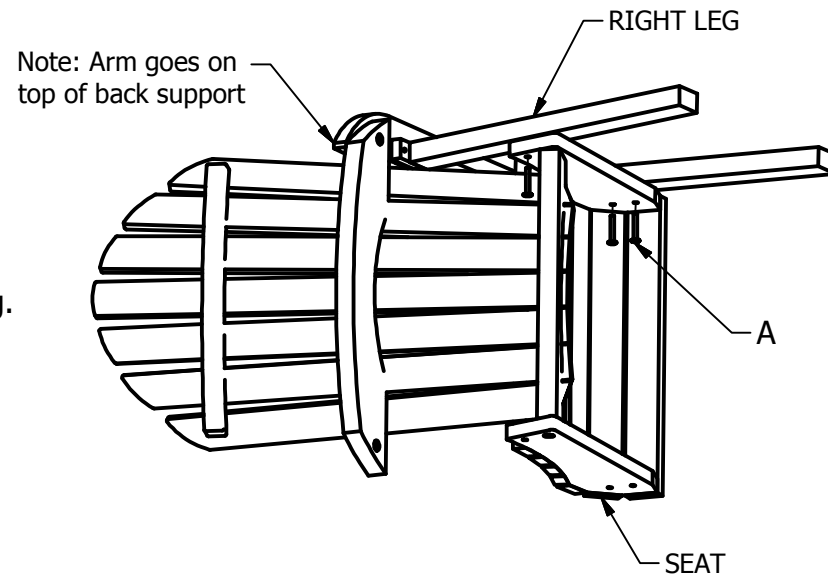
### INCLUDED TOOLS



# Deck Chair

## Assembly Guide

- 2) With the chair laying on its left side, attach the Right Leg to the Seat using 3 A bolts.
- 3) Flip chair and lay on right side. Repeat for Left Leg.



- 4) Attach arms to the back using 2 A bolts.
- 5) Tighten all bolts. Enjoy your Chair!