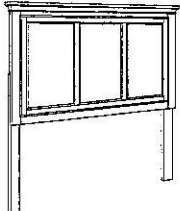
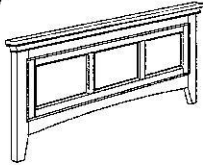
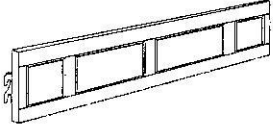
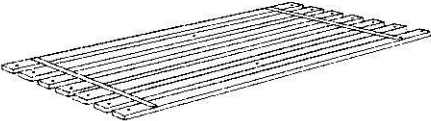
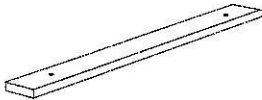
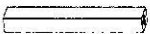


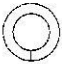
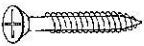


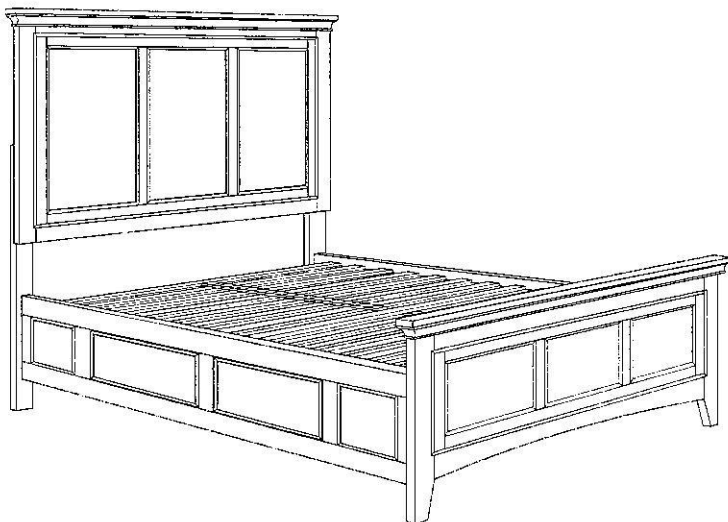


# ASSEMBLY INSTRUCTION

## QUEEN PANEL BED - ONE SIDE SIDE RAIL & PLATFORM SLATS KING PANEL BED - ONE SIDE SIDE RAIL & PLATFORM SLATS

<b>A</b> Headboard (in the other carton)  1 pc	<b>B</b> Footboard (in the other carton)  1 pc	<b>C</b> Side Rail  1 pc
<b>D</b> Slats  1 Set	<b>E</b> Slats Support  1 pc	<b>F</b> Slats Support Leg  2 pcs
<b>G</b> JCBC Bolt M6 X 50mm  2 pcs	<b>H</b> JCBB Bolt M8 X 16mm  4 pcs	<b>I</b> Spring Washer 5/16"  2 pcs
<b>J</b> CSK Screw M4 X 32mm  14 pcs	<b>K</b> Allen Key M4  1 pc	<b>L</b> Allen Key M5  1 pc



This page lists all the contents included in the box. Please take the time to identify the hardware as well as the individual components to this product. As you unpack and prepare for assembly, place the contents on a carpeted or padded area to protect them from damage.

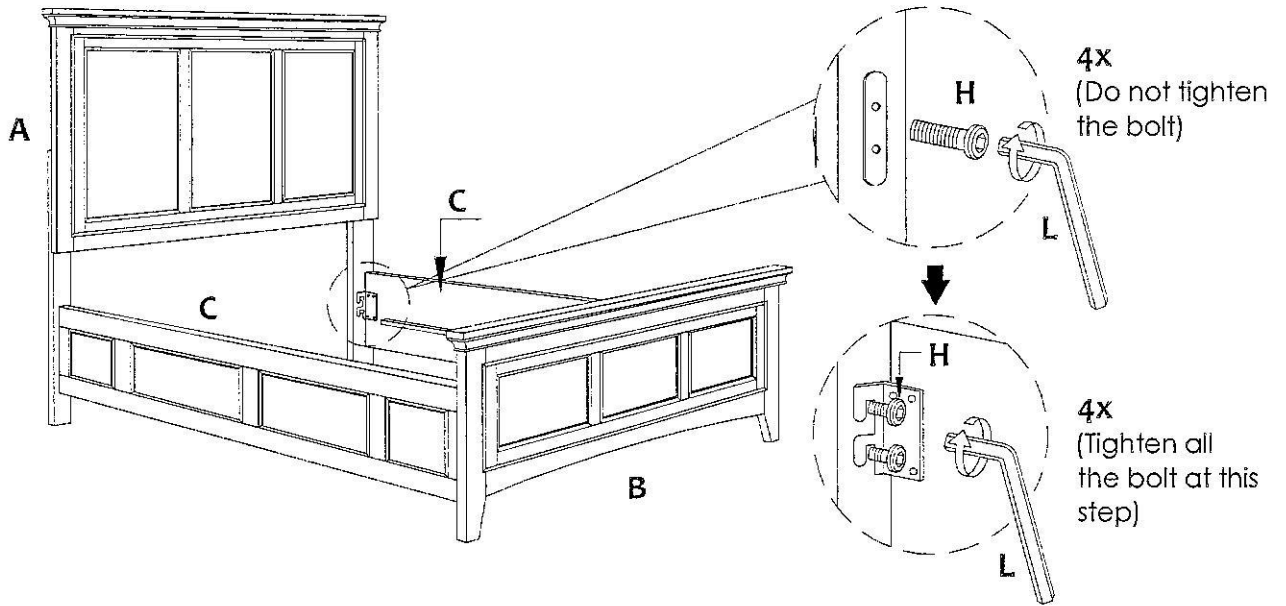
### IMPORTANT NOTE :

1. Do not tighten all screws / bolts until all completely assemble.
2. Keep all hardware parts out of reach of children.

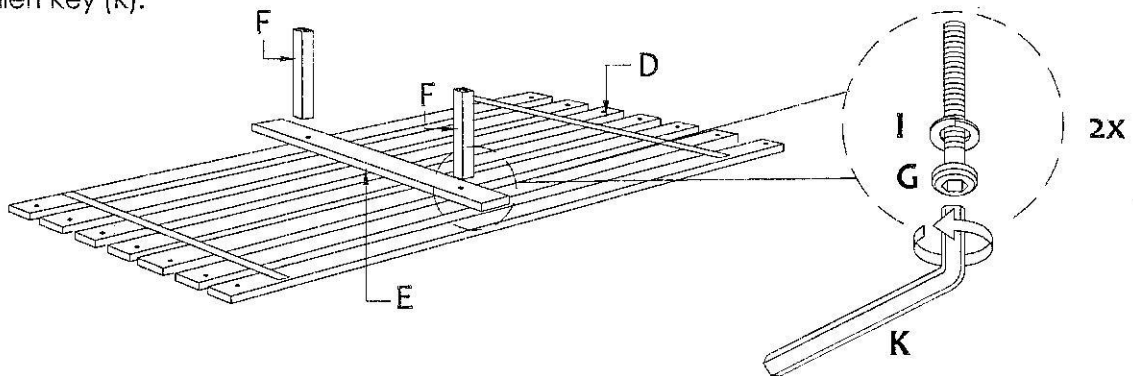
**Remark :**

The other side of Side Rail Parts & Hardware in the other carton.

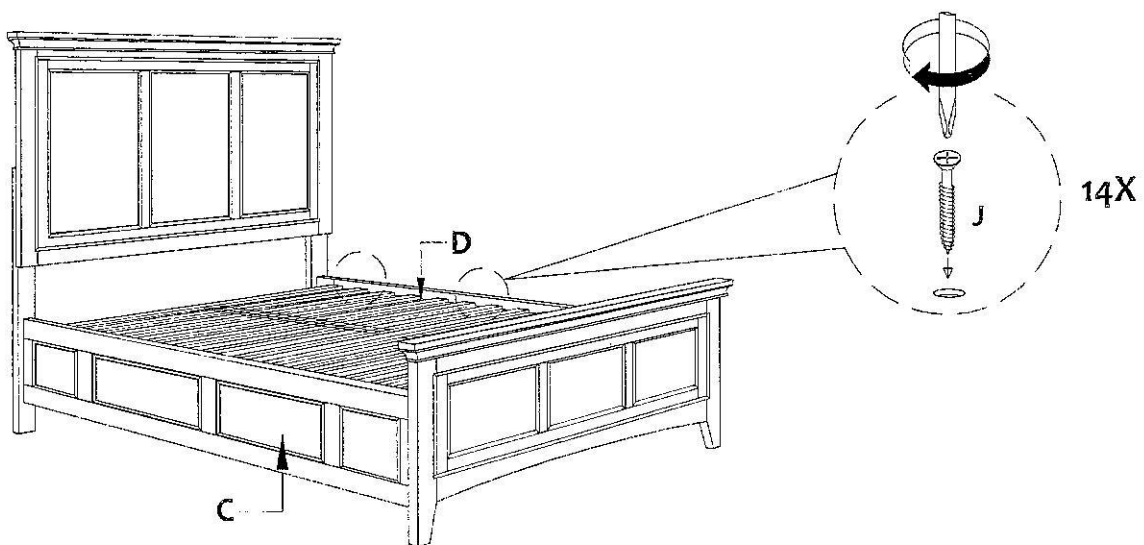
- 1** Attached Side Rail (C) to Headboard (A) and Footboard (B) by inserting JCBB Bolts (H) loosely into provided holes, then hooking Side Rail brackets on as shown. Tighten all bolts using Allen Key (L).



- 2** Open the Slats (D) with bottom facing up. Place Slats Support (E) and Slats Support Leg (F) on top of Slats (D). From bottom of Slats (D) insert JCBB Bolt (G) and Spring Washer (I) to the holes and tighten using Allen Key (K).



- 3** Turn the Slats (D) and place it to the Side Rail (C). Tighten the Slats (D) with CSK Screw (J) using Phillip Head Screwdriver (Not provided).



**CLEANING & CARE**

Treat surface with care. Surface is resistant to scratches but is not scratches resistant. Clean surface with a dry or damp soft cloth. Do not use abrasive cleaners. Hardware may loosen over time. Periodically check that all connections are tight.