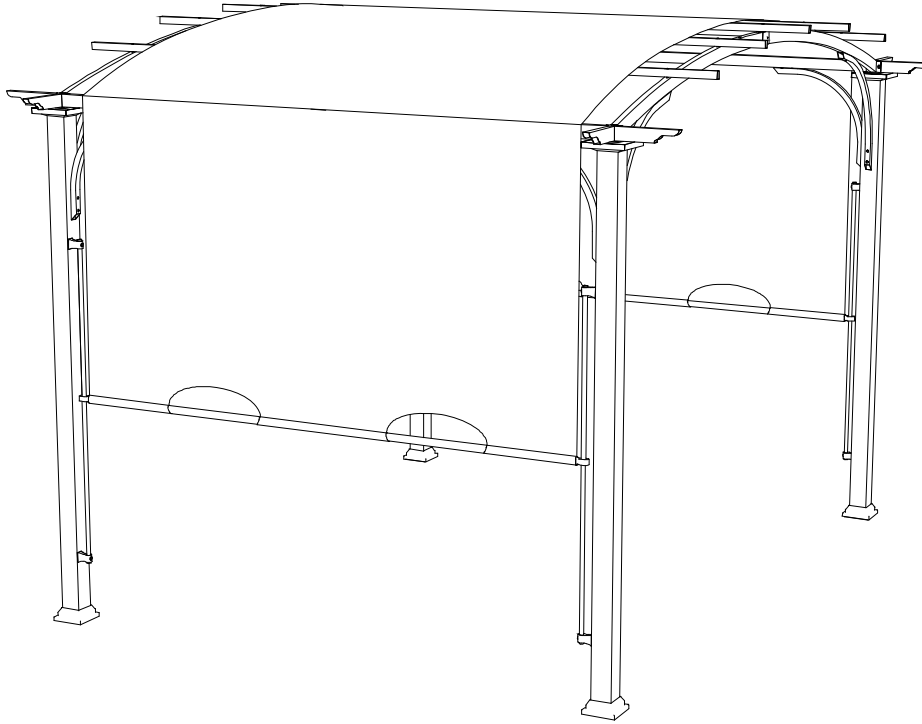


Item No.:A106005400



WE HAVE YOU IN MIND, LET US SERVE YOU!

Questions? Issues?

CONTACT US

24 hours / 7 days a week



www.sunjoyonline.com



customer.care@sunjoygroup.com






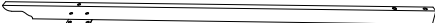
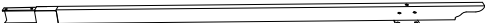
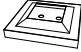

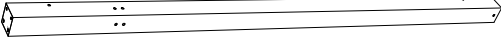
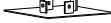
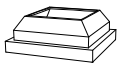









Toll Free 1-(866)-578-6569

Country of Origin: China

Production Number: xxxxxxxxxx

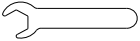
Parts List

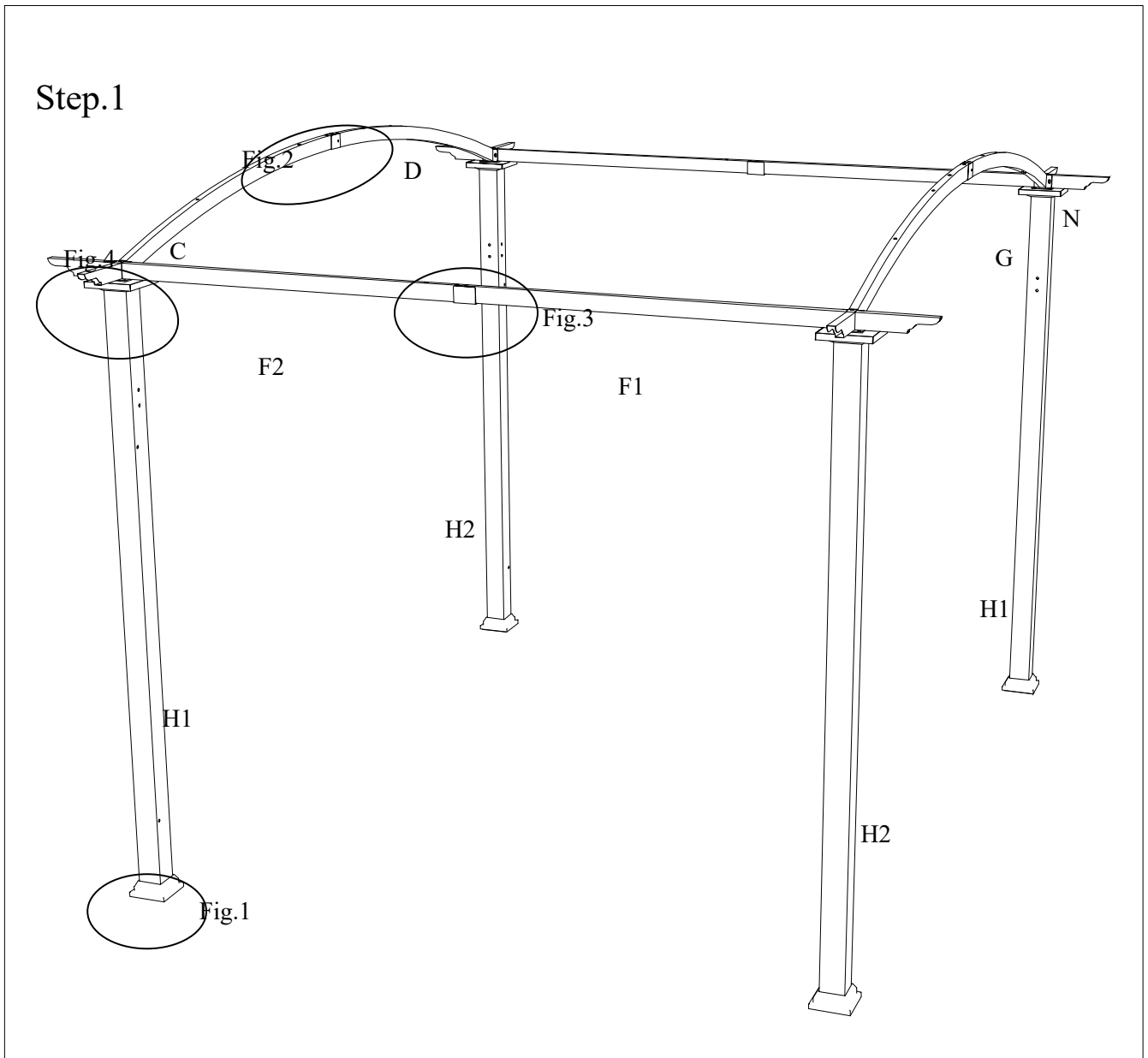
A	P000601311	Top beam 1	5	
B	P000601312	Top beam 2	5	
C	P000400872	Arc beam1	2	
D	P000400871	Arc beam2	2	
E	P000501146	Arc beam Connector	2	
F1	P005000407	Long side beam1	2	
F2	P005000406	Long side beam2	2	
G	P000300087	Conner	4	
H1	P000200450	Post 1	2	
H2	P000200451	Post 2	2	
I	P000100318	Stake	4	
J	P006100164	Stake cover	4	
K	P005000409	Arc support 1	4	
L	P005000408	Arc support 2	4	
M	P000501145	Rail connector	8	
N	P005600299	Decorate tube	4	
O	P005700649	Canopy rod 1	2	
P	P005700648	Canopy rod 2	2	
Q	P005700650	Rail beam	4	

Country of Origin: China

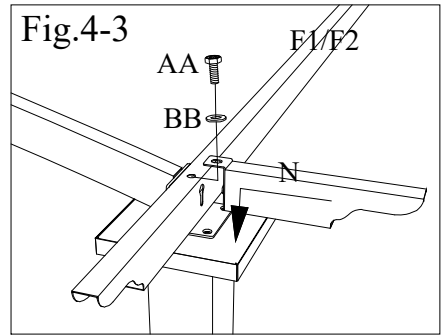
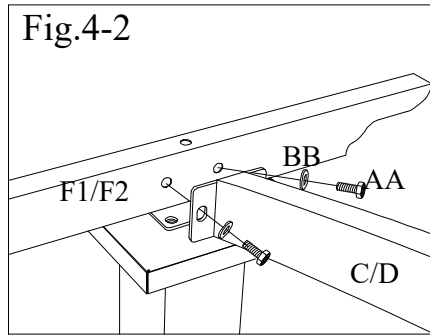
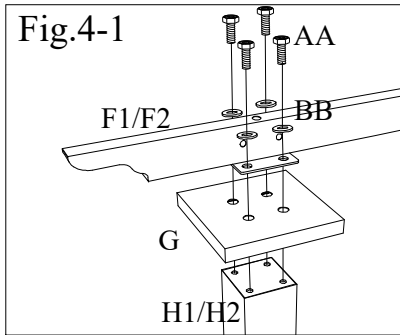
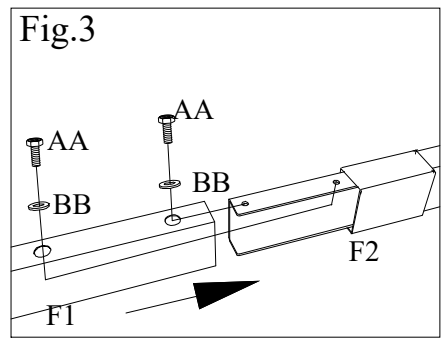
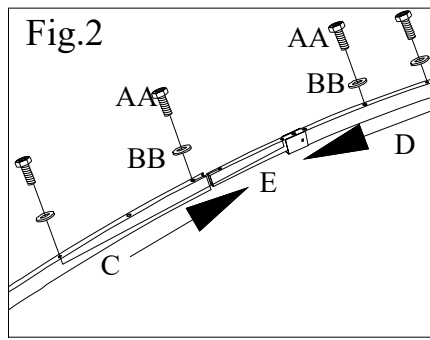
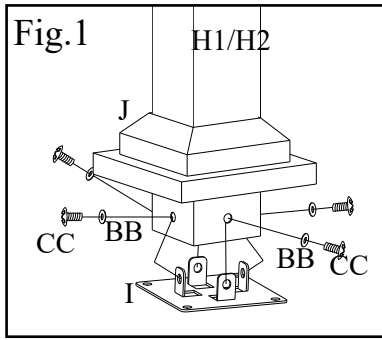
R	P001100529	Canopy	1	
---	------------	--------	---	-------------------------------------------------------------------------------------

Hardware Pack 1

AA	H010020011	M6 * 15 Bolt	40PCS	
BB	H050010023	M6 Flat Washer	56PCS	
CC	H010110016	M6 * 15 Bolt	16PCS	
Z	H090010009	M6 Wrench	1 PCS	

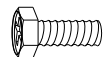

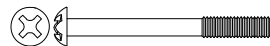


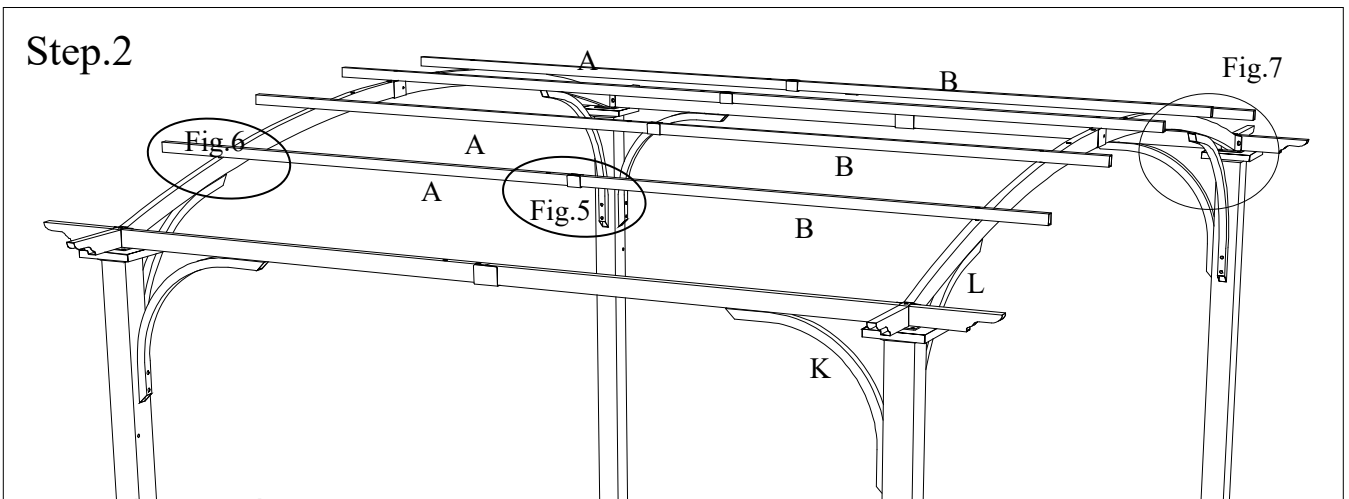
Country of Origin: China



- Fig.1-1:** Put the stake cover (J) through the post1/ post2 (H1/H2), up the stake cover (J), then attach stake (I) to post1/ post2 (H1/H2) bottom, fasten by using bolt (CC) and washer (BB).
- Fig.2:** Attach Arc beam1/ Arc beam2 (C/D) to Arc beam Connector (E), By using bolt (AA) and washer (BB).
- Fig.3:** Attach Long side beam1 (F1) to Long side beam2 (F2), by using bolt (AA) and washer (BB).
- Fig.4-1:** Attach conner (G) to top of post1/ post2 (H1/H2).
- Fig.4-2:** Attached Arc beam1/ Arc beam2 (C/D) to top of post1/ post2 (H1/H2), then fix by using bolt (AA) and washer (BB).
- Fig.4-3:** Attach decorate tube (N) to long side beam (F1/F2).

Hardware Pack 2

AA	H010020011	M6 * 15 Bolt	10PCS	
BB	H050010023	M6 Flat Washer	52PCS	
EE	H010110028	M6 * 40 Bolt	42PCS	



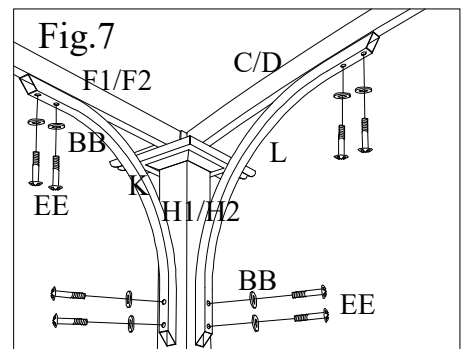
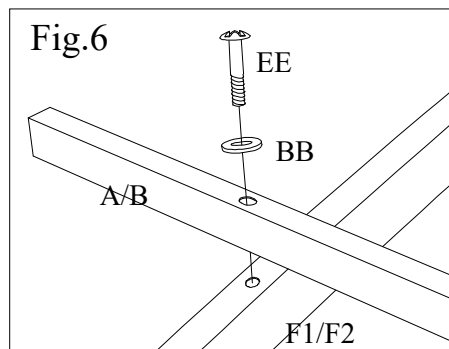
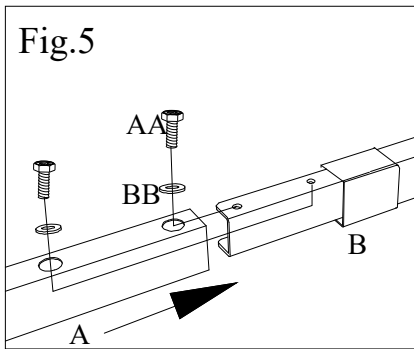
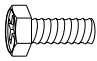

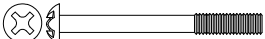
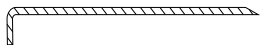


Fig.5: Attach top beam 1 (A) to top beam 2 (B) , fix by using bolt (AA) and washer (BB) .

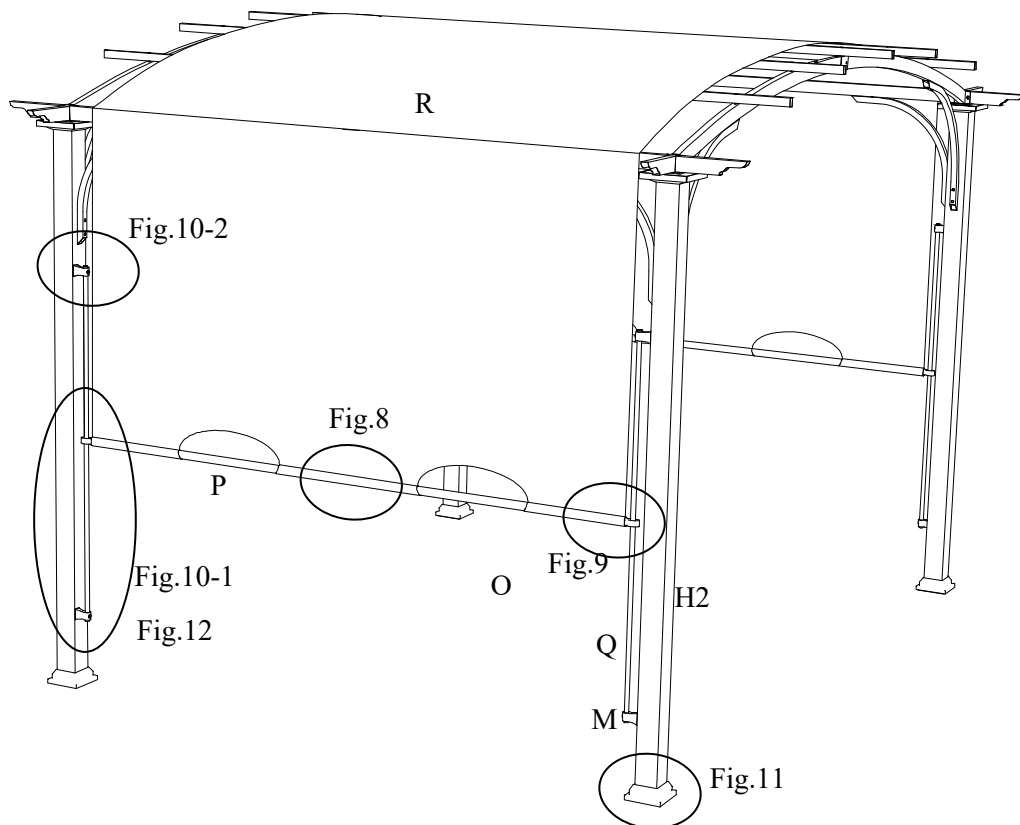
Fig.6: Fix assembled top beam1/ beam2 (A/B) to assembled Arc beam1/ Arc beam2 (C/D) ,by using bolt (EE) and washer (BB).

Fig.7: Attach arc support 1(K) to short side beam1/ short side beam2 (C1/C2) , Arc support 2(L) to Arc beam1/ Arc beam2 (C/D) and arc support 1/ Arc support 2 (L) to post1/ post2 (H1/H2) ,by using bolt (EE) and washer (BB) .

Hardware Pack 3

GG	H010020014	M6 * 10 Bolt	4PCS	
BB	H050010023	M6 Flat Washer	4PCS	
DD	H010020024	M6 * 75 Bolt	8 PCS	
FF	H070010008	Φ6*230 floor stake	8 PCS	

Step.3



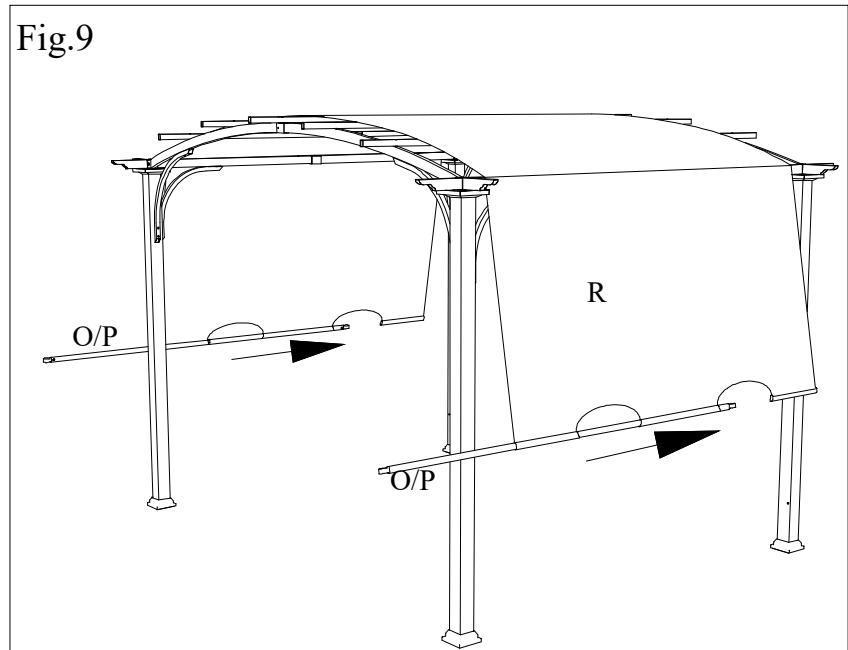
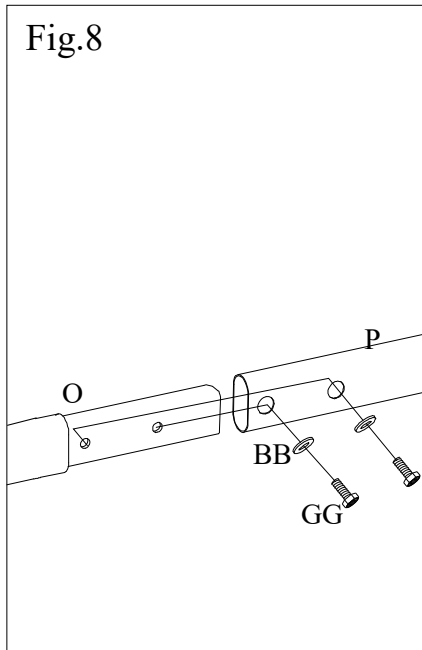


Fig.8: Attach canopy rod 1 (O) to canopy rod 2 (P), fix by using bolt (GG) and washer (BB).

Fig.9: Lay the canopy (R) on the tent and pass the canopy rod 1 / canopy rod 1 (O/P) through the canopy (R) as shown.

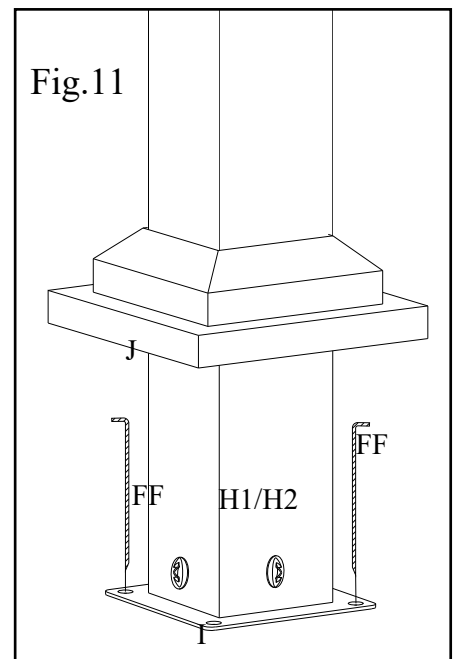
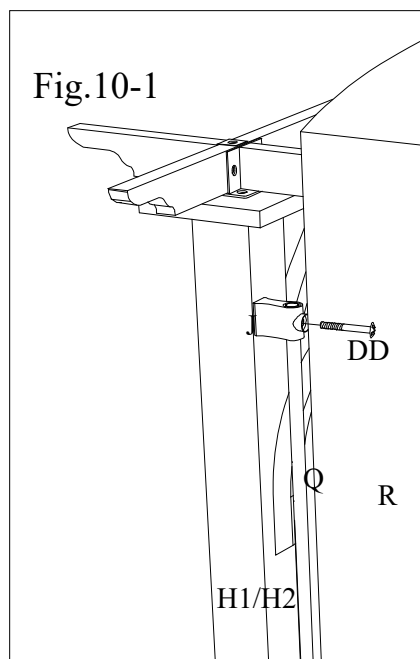
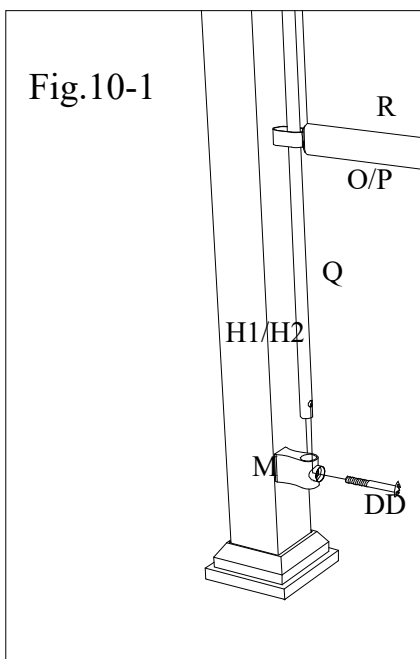


Fig.10-1: First, insert the canopy rod 1 / canopy rod 1 (O/P) into the rail beam (Q), then insert the rail beam (Q) into the rail connector (M), finally lock rail beam (Q), rail connector (M) and post 1 / post 2 (H1/H2), by using bolt (EE).

Fig.10-2: lock rail beam (Q), rail connector (M) and post 1 / post 2 (H1/H2) by using bolt (EE).

Fig.11: Fix the assembled gazebo on ground by using floor stake (FF).

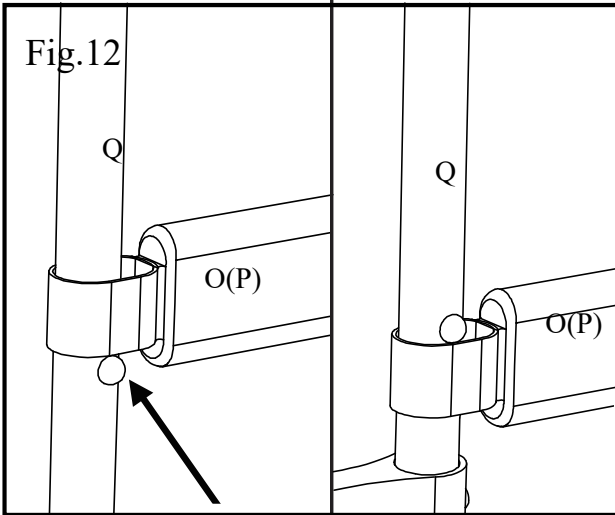


Fig.12: Push the spring buckle on the rail tube (Q) and pull the hole of Canopy rod 1(O) and Canopy rod 2 (P) underneath the spring buckle. So the fabric tubes will not move up.

Care and Maintenance

- Our steel components for garden accessories and furniture are treated with rust inhibiting paint that protects it from rusting. However, due to the nature of steel, surface oxidation (rusting) will occur once these protective coatings are scratched. This is not a defect and thus not covered by the warranty.
- To minimize this condition, we recommend care when assembling & handling the product to prevent scratching the paint. Should any scratching or damage occur, we recommend immediate touch-up with rust inhibiting paint.
- Surface rust can also be easily removed with a very light application of common cooking oil. If surface oxidation (rusting) occurs and if no measure is taken to prevent this, the oxidation may start dripping on to deck or patio and caused damaging stains, which may be difficult to remove. This can be prevented if the above-mentioned measures are taken to keep the product from oxidizing.
- Use damp cloth to wipe off the stains as quickly as possible.
- If necessary, wash with a mild solution of soap and water; rinse thoroughly and dry completely.
- Periodically check and ensure that all bolts are well-tighten during use

Limited Manufacturer's Warranty

Sunjoy Group warrants to the original purchaser that this item is free from defects in workmanship and materials for a period of **1 year** from the date of purchase, provided the item was factory-sealed at the time of purchase and is maintained with care and used only for personal, residential purposes. Should any manufacturing defect arise within this warranty period, Sunjoy Group will replace (at our option) any defective merchandise or parts upon proof of purchase; however, transportation and delivery costs, as well as payments to a third party for assembly or disassembly of the item, remain the responsibility of the purchaser. A purchaser of an "open box," previously-returned, or "clearance" item, as well as original purchasers outside of the warranty period, may obtain replacement parts from Sunjoy Group for products in current production, at nominal cost.

Exclusions:

Items used for commercial, contract, or other non-residential purposes, or items damaged due to acts of nature, vandalism, misuse, or improper assembly are not covered. Corrosion or rusting of hardware is not covered. Proof of purchase (dated register receipt) is required for warranty claims. Warranty is to the original purchaser and is non-transferable. Any replacement of warranted items will be in the original style and color, or a similar style and color if the original is unavailable or has been discontinued. As some states do not allow exclusions or limitations on an implied warranty, the above exclusions and limitations may not apply. This warranty gives you specific rights, and you may also have other rights, which vary from state to state.

Country of Origin: China