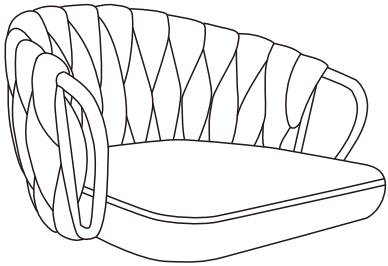
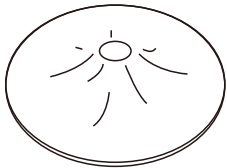


ASSEMBLY INSTRUCTION

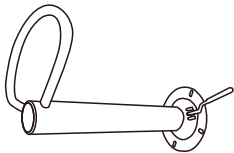
Ax1



Bx1



Cx1



Dx1



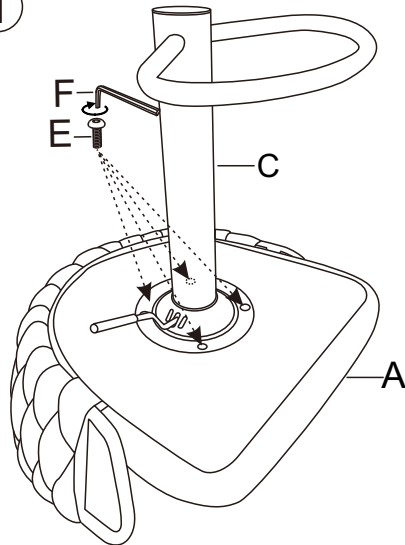
Ex4



Fx1

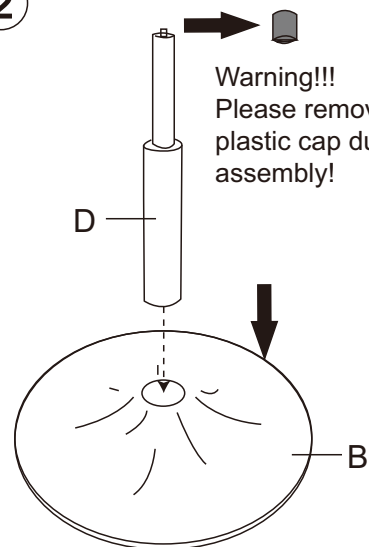


1

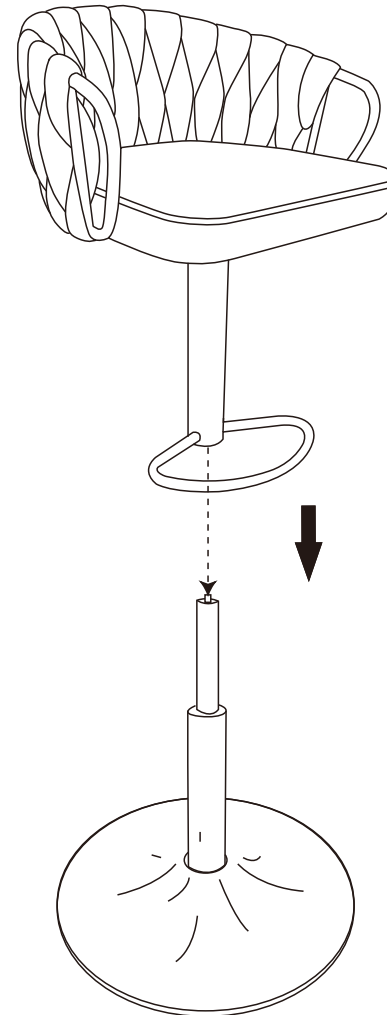


Warning!!!
PUT ALL SCREWS IN THE HOLE,
THEN TIGHTEN ONE BY ONE.

2



3



4

