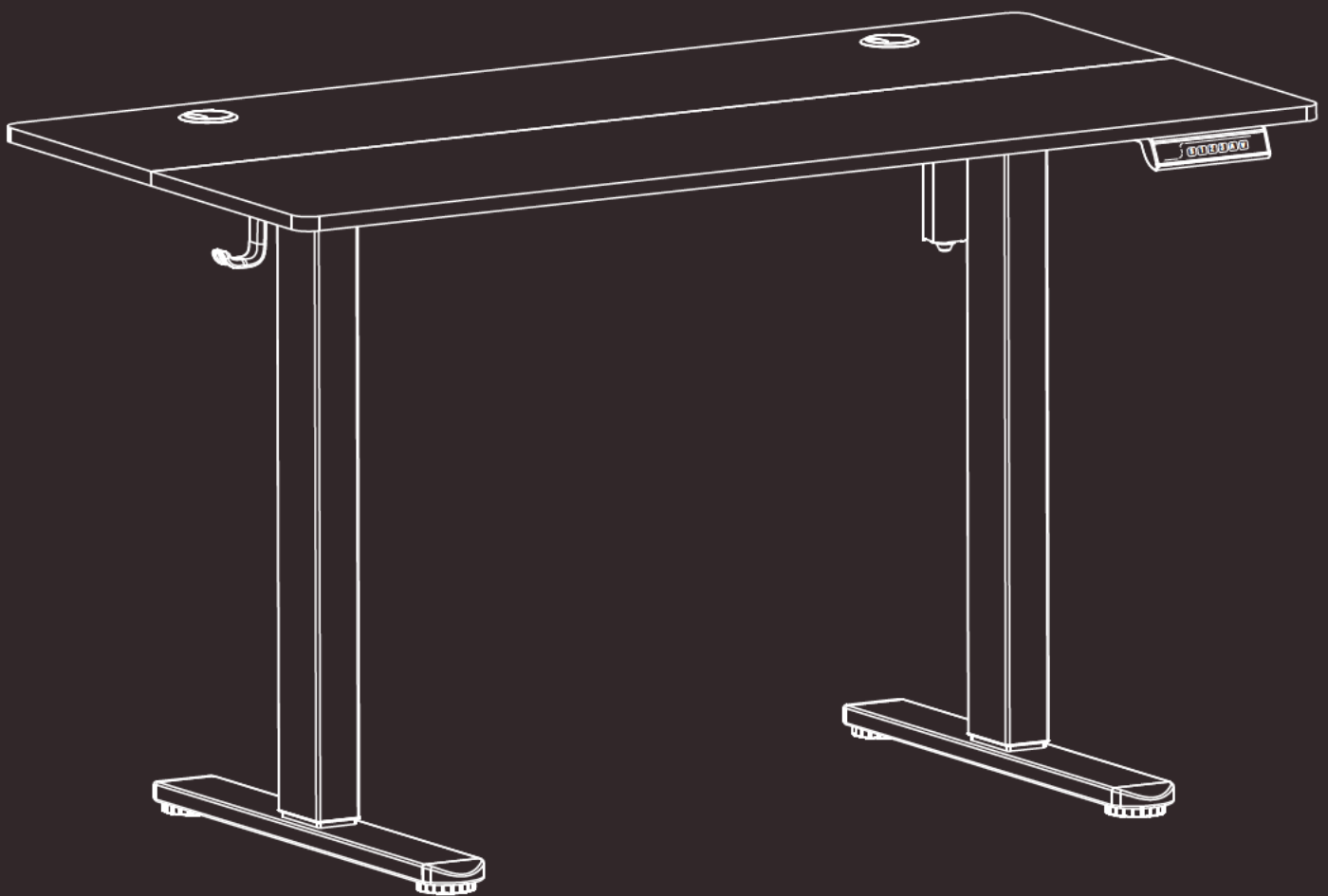


Electric Standing Desk

Instruction Manual



Specifications

Height Adjustment Range
28.3"–46.4" (72–118cm)



Power Input
100V–240V



Max. Speed
20mm/s



Operating Noise
<55dB



Max. Load
154 lbs / 70kg

1 Supplied Parts and Hardware

A X10



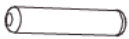
Rubber Pad

D X1



Allen Key
S=2mm

G X4



Wood Dowel Pin

J X2



Headphone hanger

B X20



Screws
M5×16mm

E X1



Allen Key
S=5mm

H X2



Cable Hole Cover

C X16



Screws
M6×11mm

F X2



Cable Clip

I X2



Desktop Panel Connector

2 Extra Parts

A X2



Rubber Pad

B X2



Screws
M5×16mm

C X2



Screws
M6×11mm

G X2



Wood Dowel Pin

3 Component List

01 X1



Desktop

02 X1



Crossbar

03 X2



Side Plates

04 X1



Transmission Rod

05 X1



Left Table Leg

06 X1



Right Table Leg

07 X2



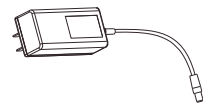
Leg Base

08 X1

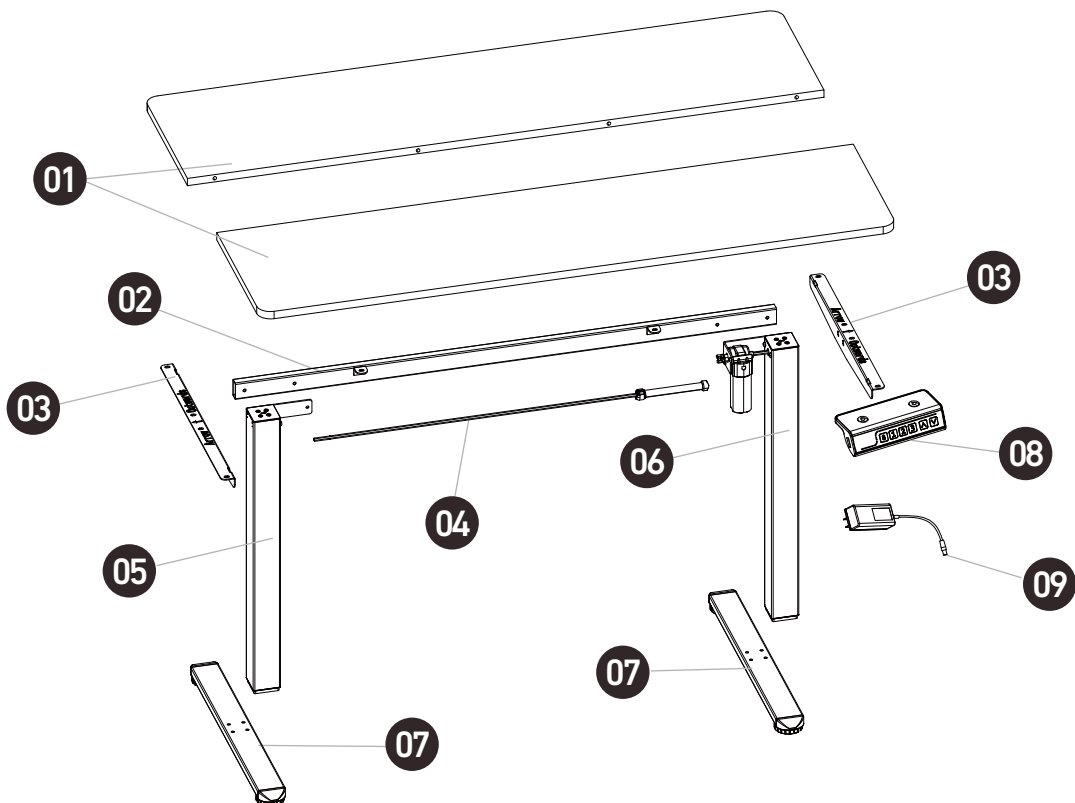


Controller

09 X1

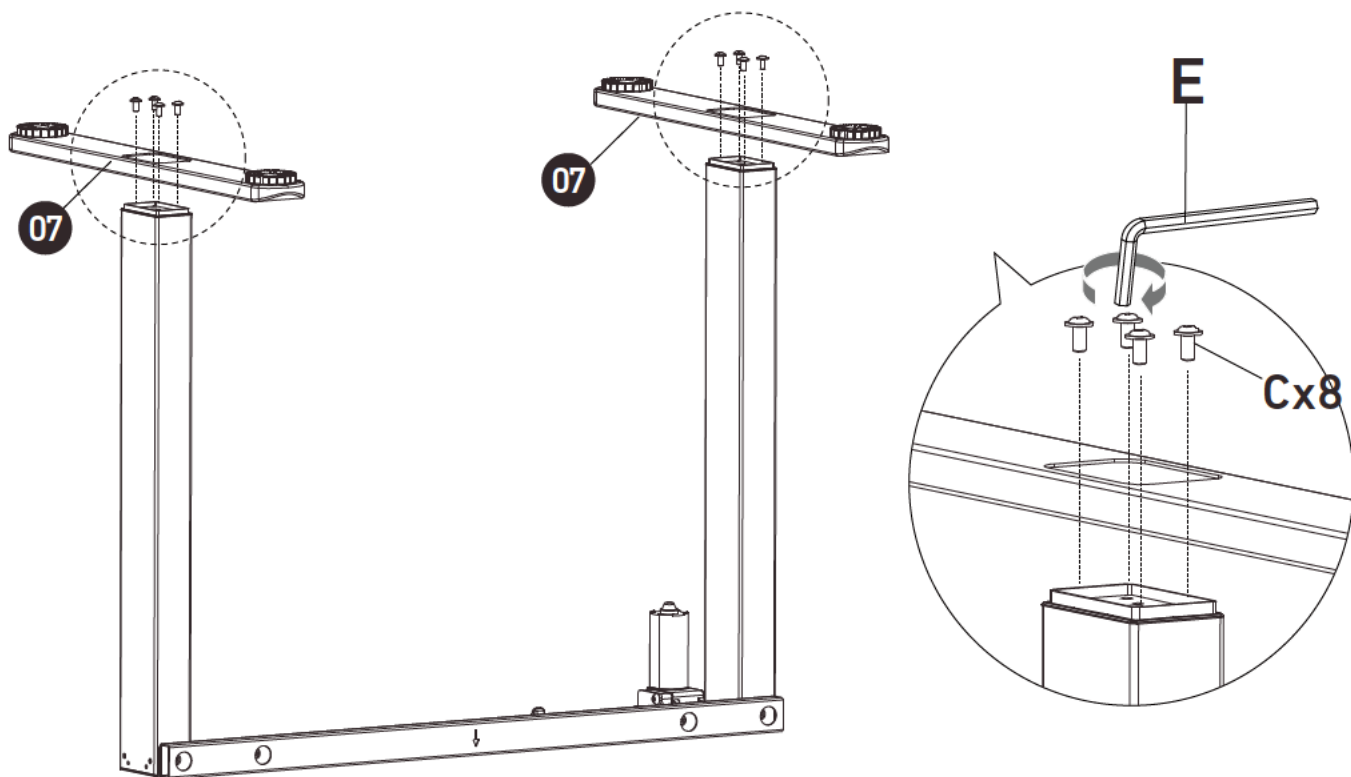
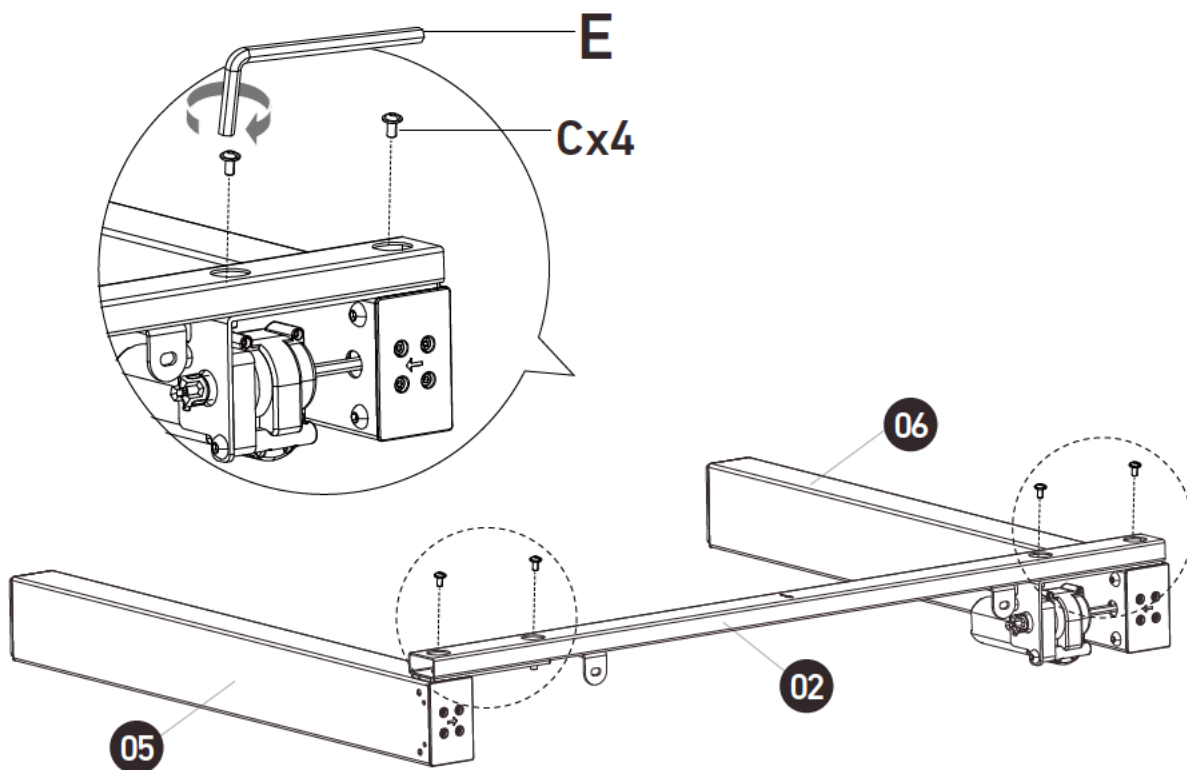


AC Adapter



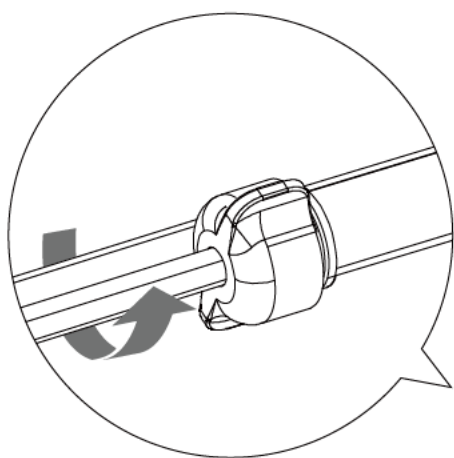
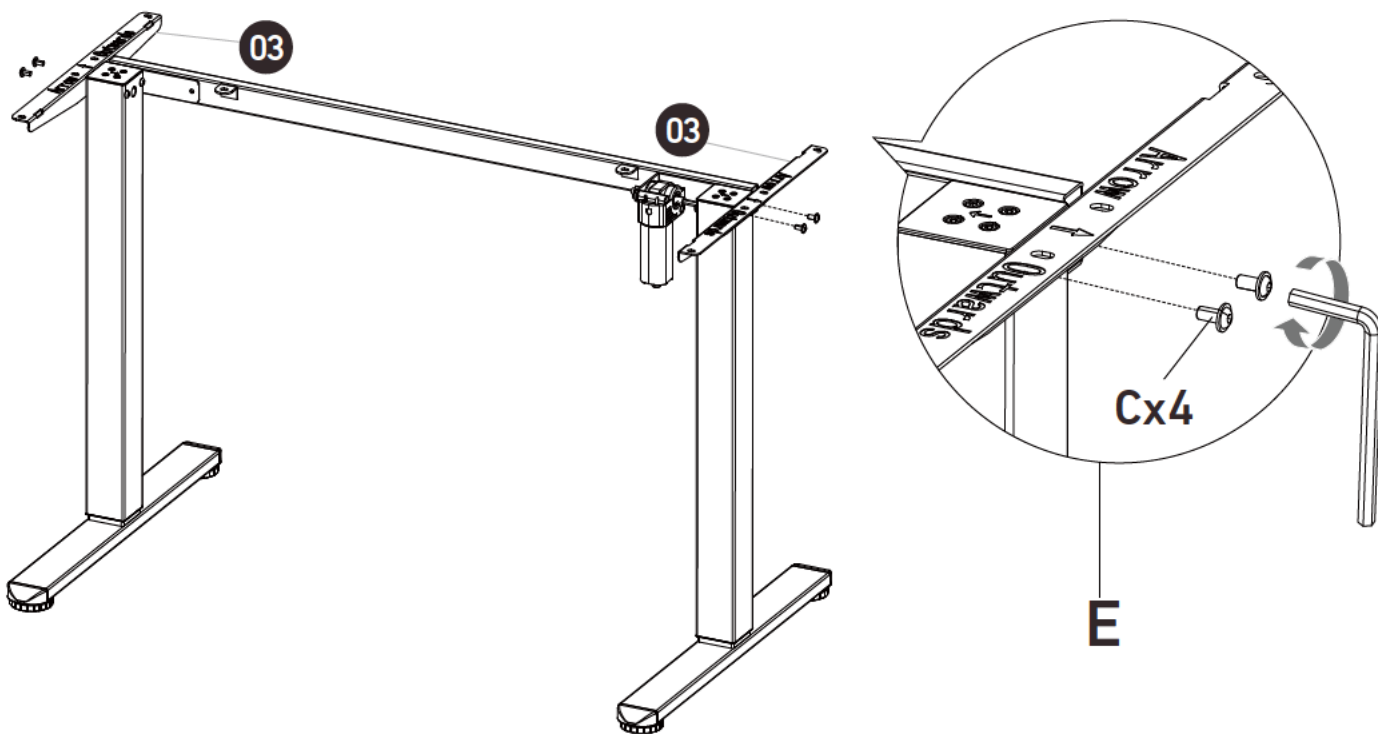
Step 1

Setting the Desk Legs to the Same Height

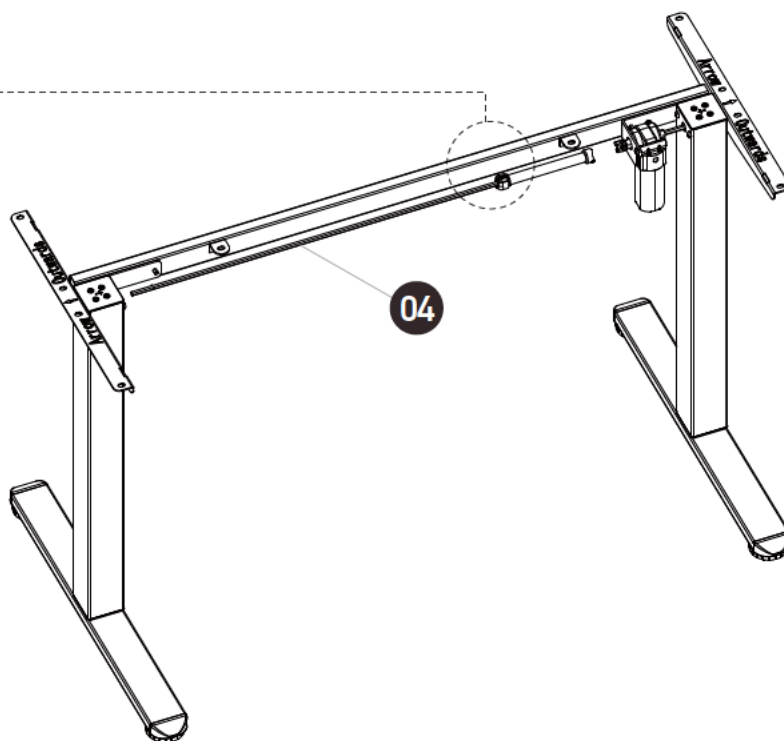


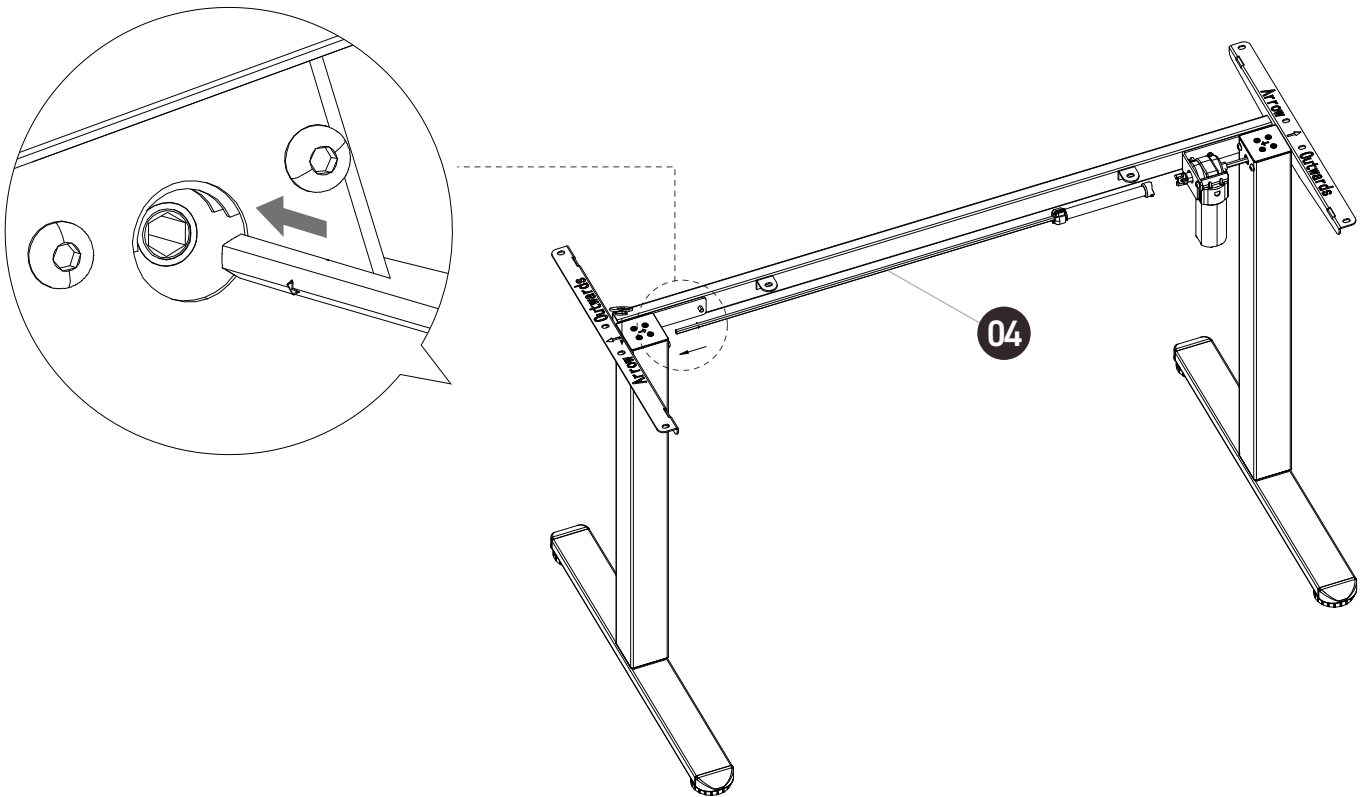
Step 2

Setting the Desk Legs to the Same Height

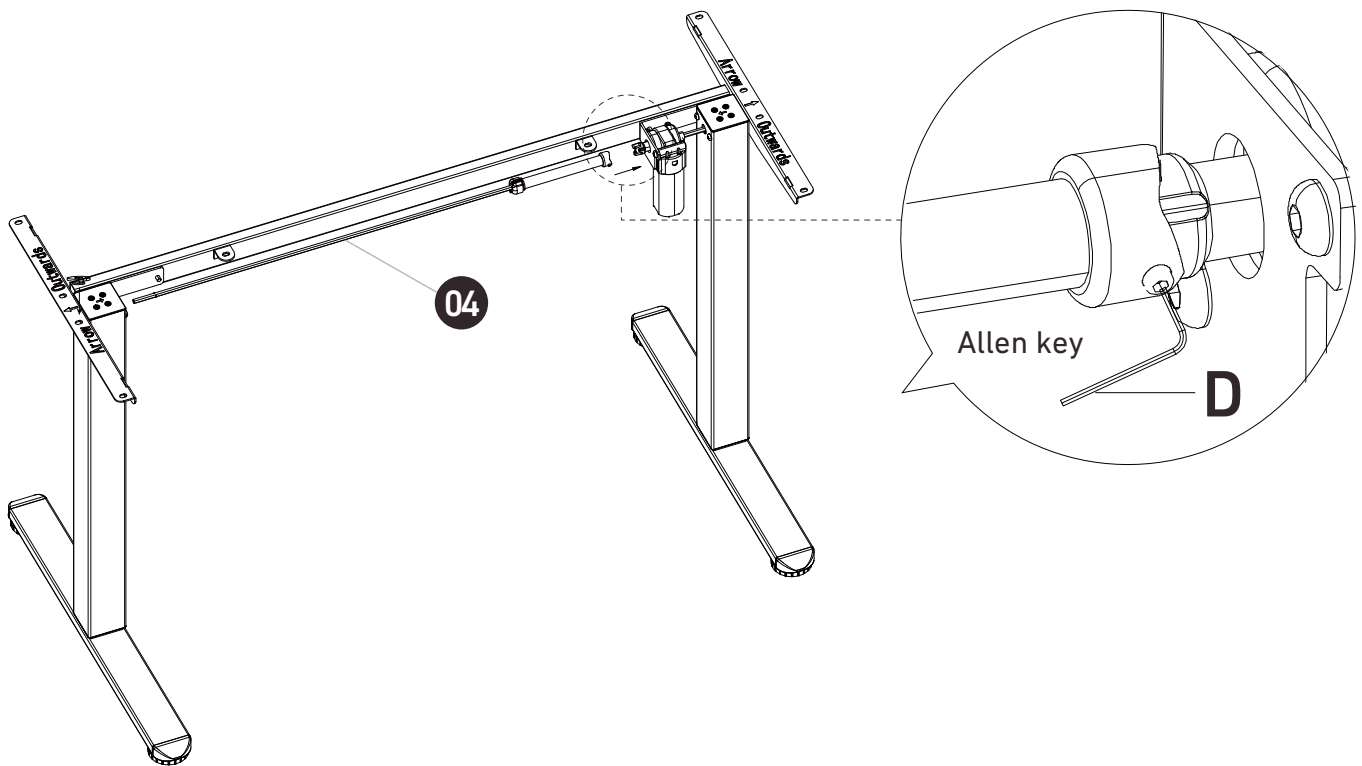


Loosen the knob



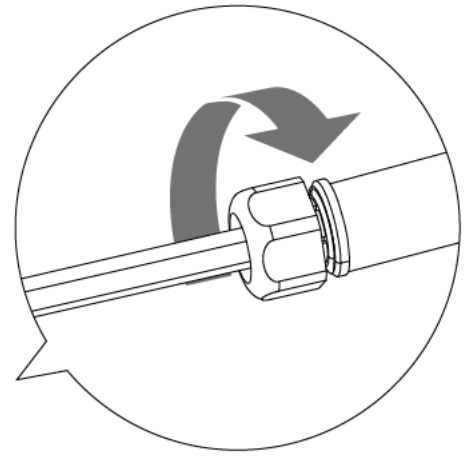
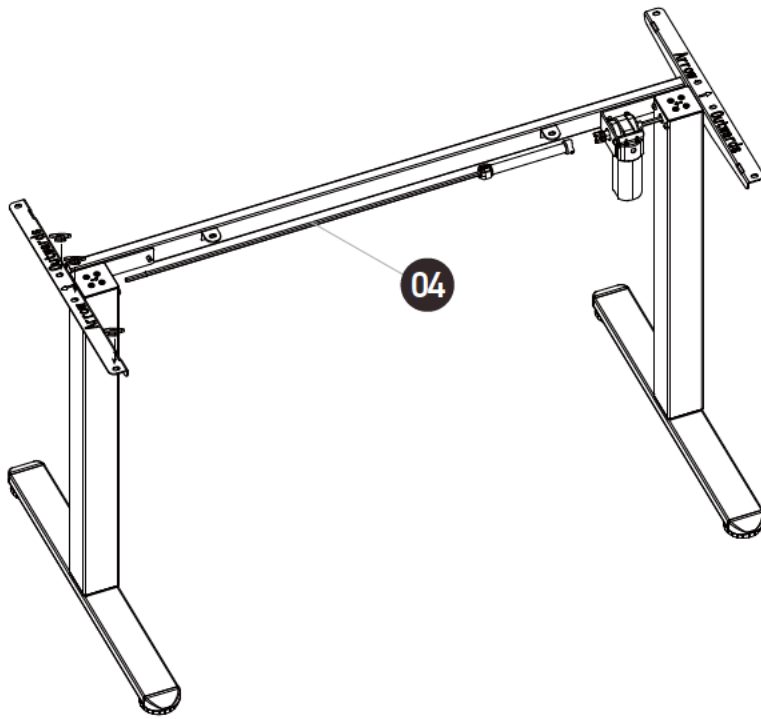


Insert the transmission rod into the hex hole and turn the transmission rod clockwise until the left leg goes to the lowest position.

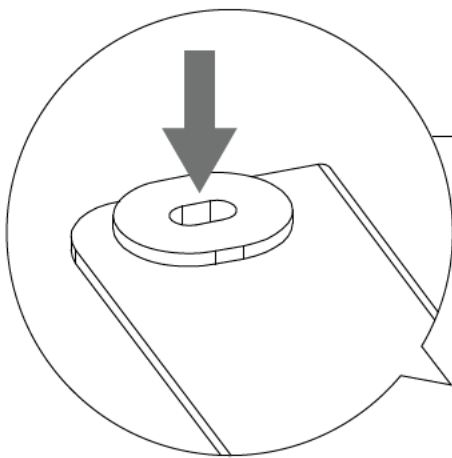


Insert the other end of transmission rod to the slot on the leg (You may rotate the rod slightly for better installation).

Secure the transmission rod to the slot by tightening the pre-assembled set screw using the allen key.

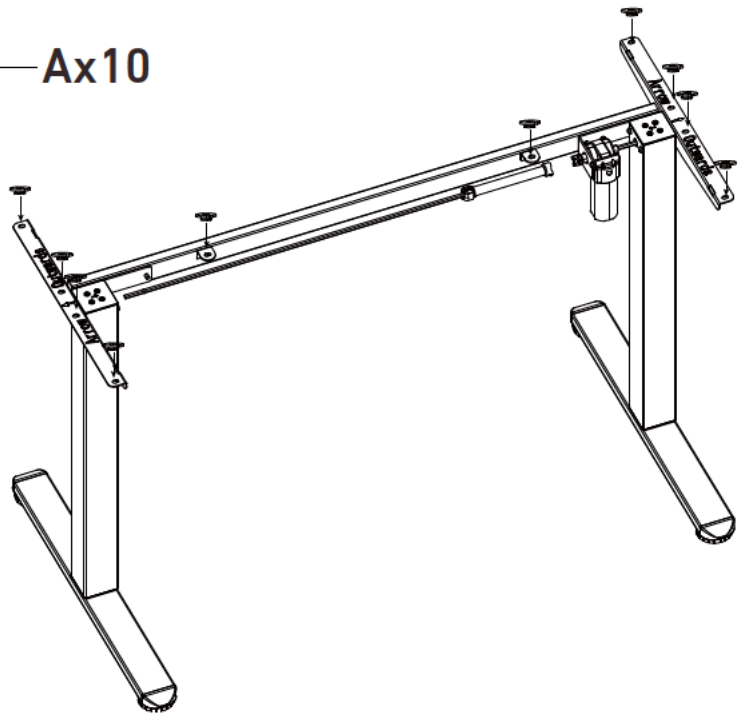


Tighten the knob



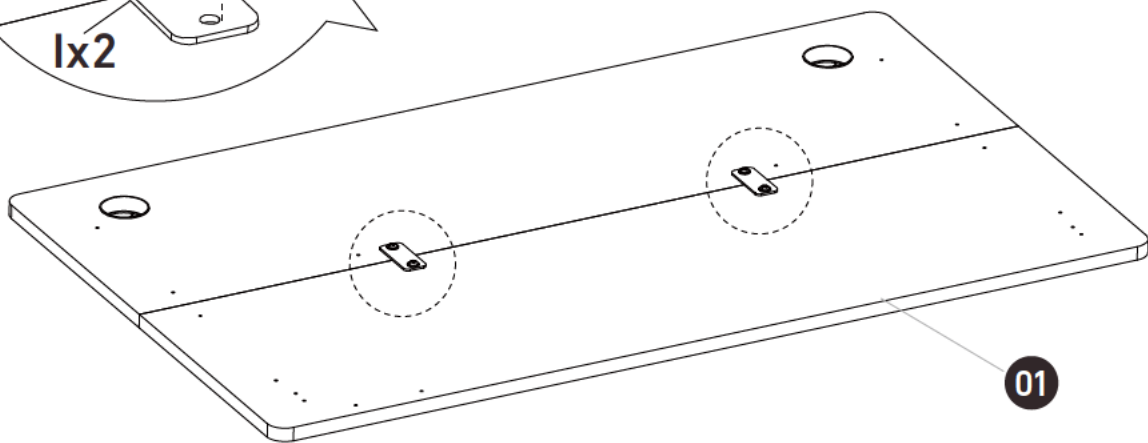
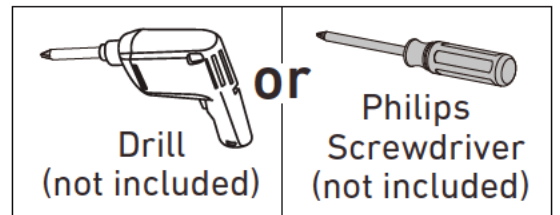
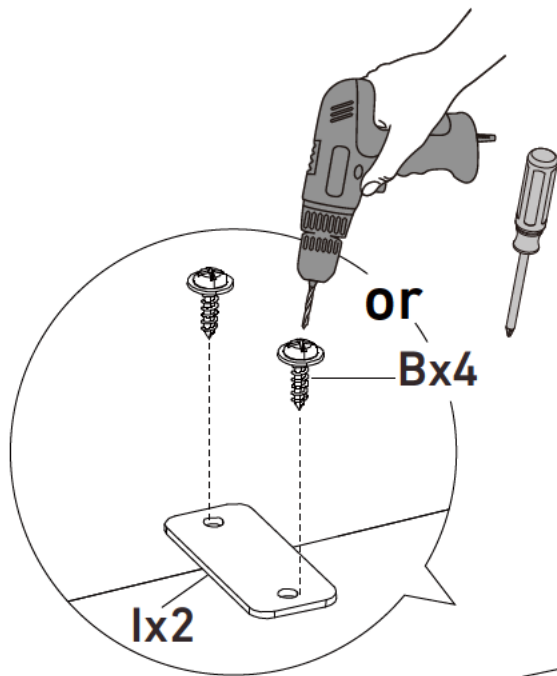
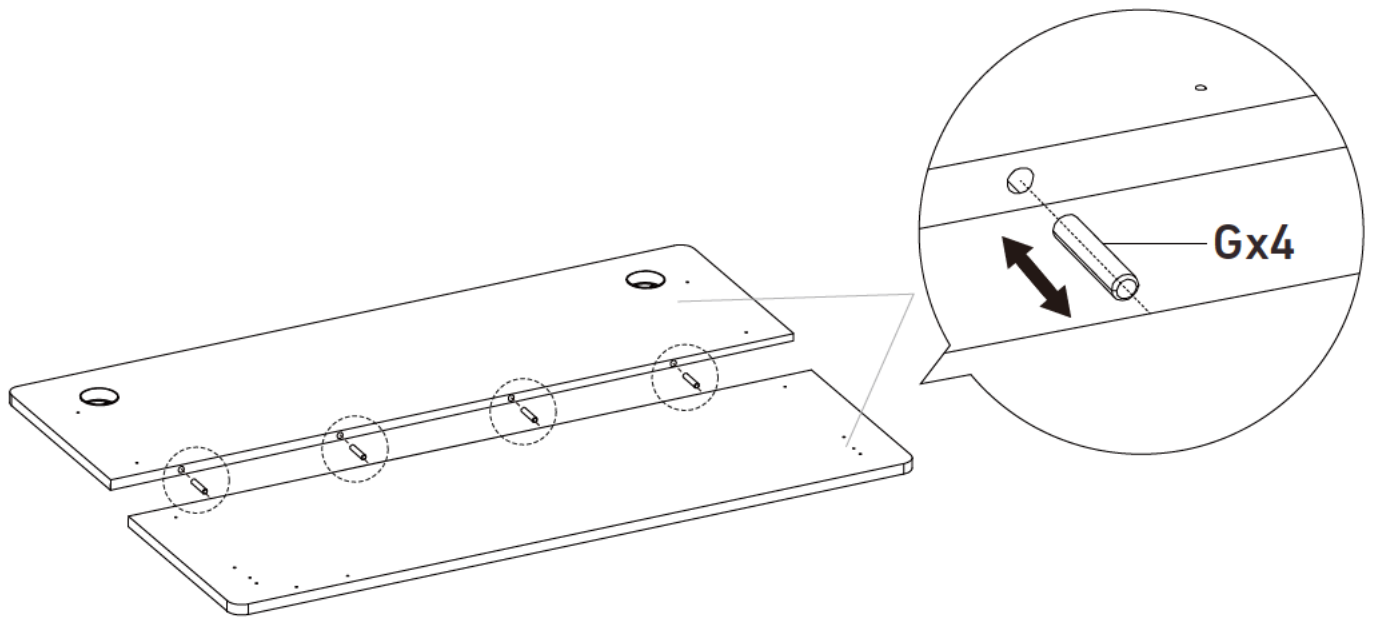
Ax10

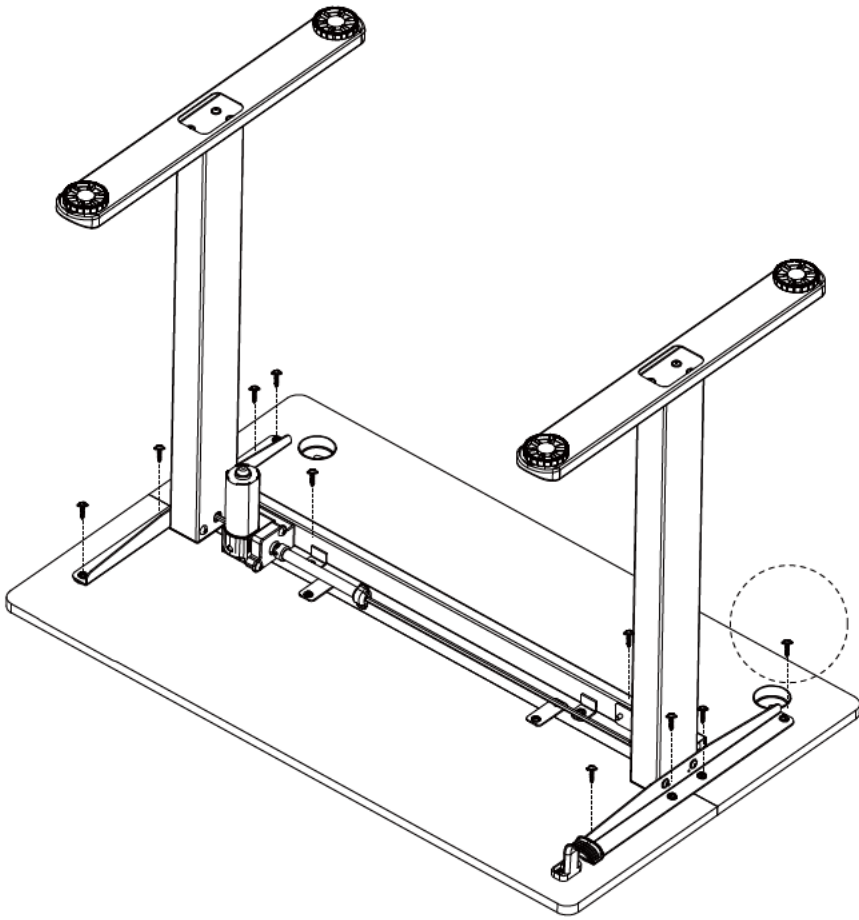
Insert the rubber pads


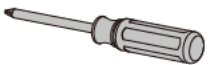


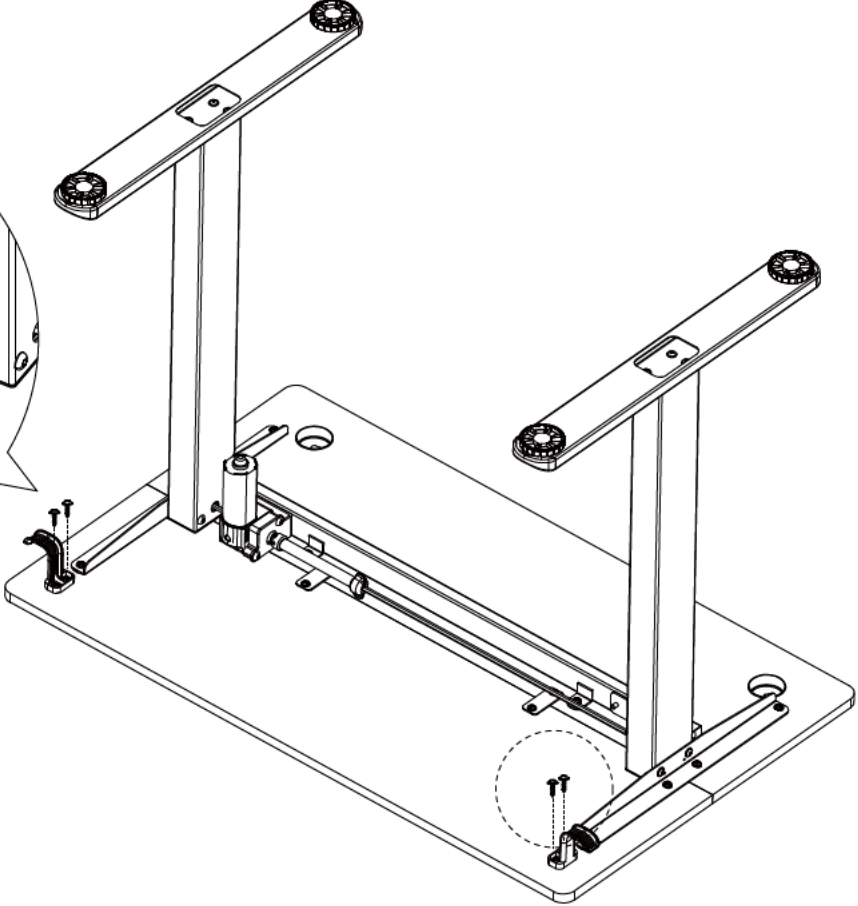
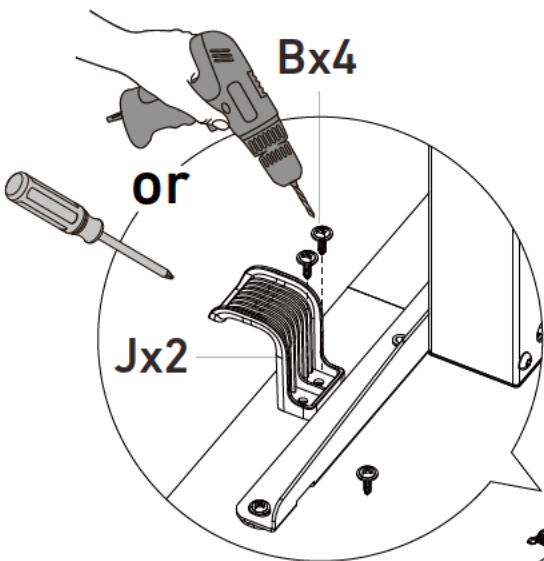
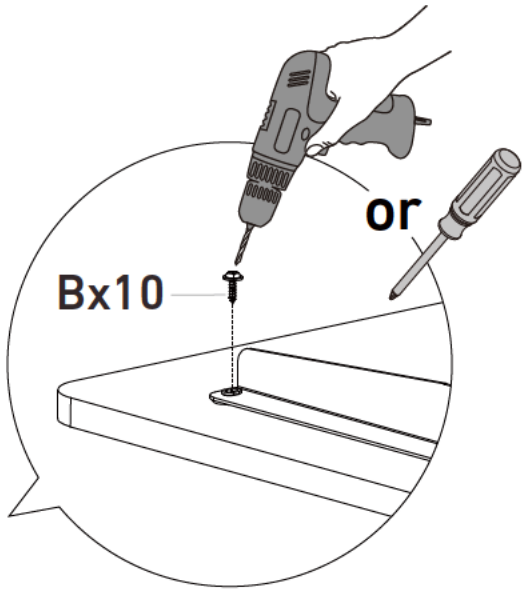
Step 3

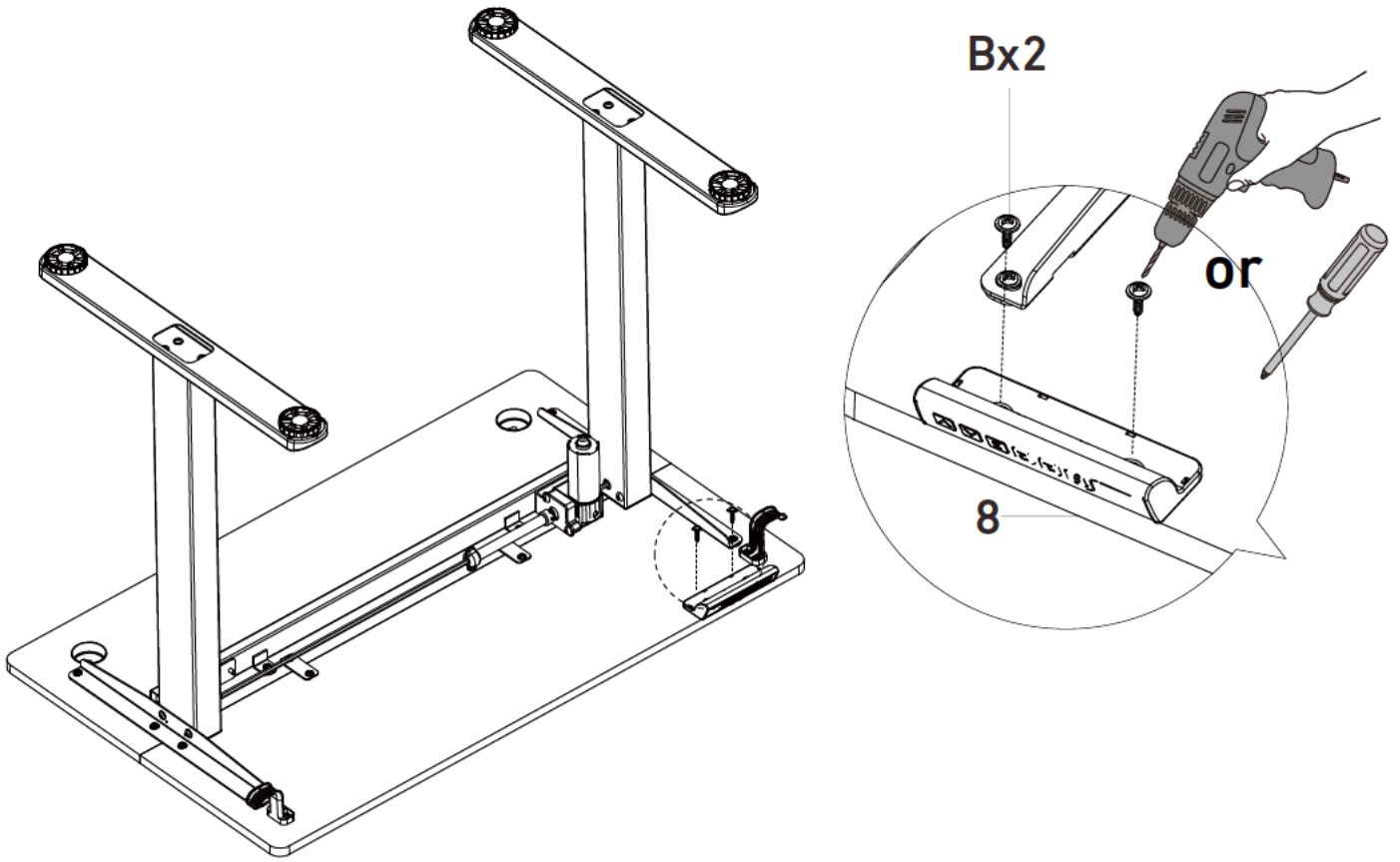
Assembling and Attaching the Desktop



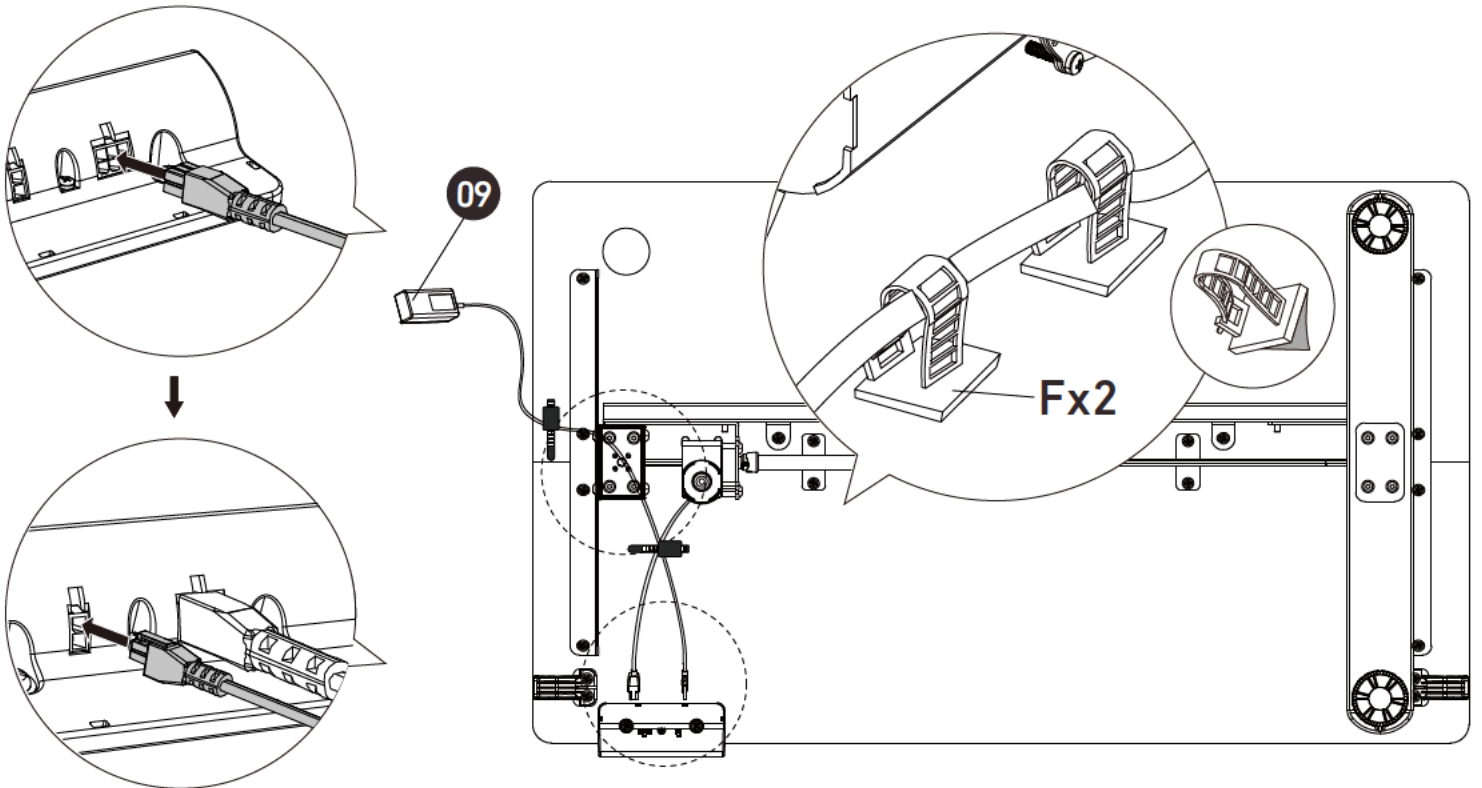


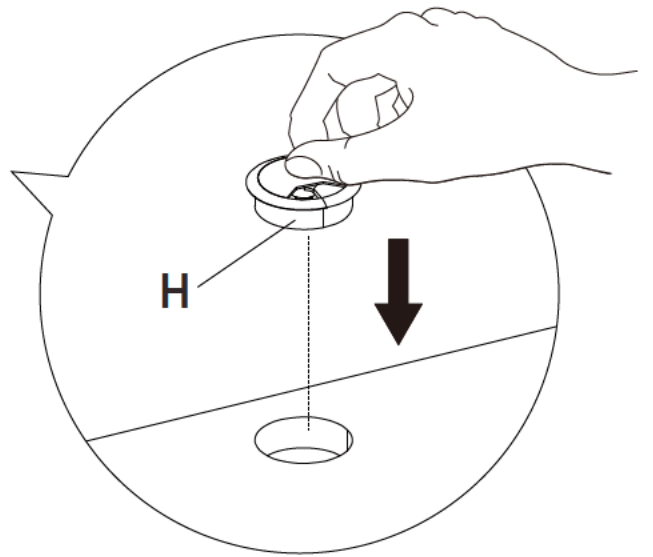
 Drill (not included)	or	 Philips Screwdriver (not included)
--	-----------	---



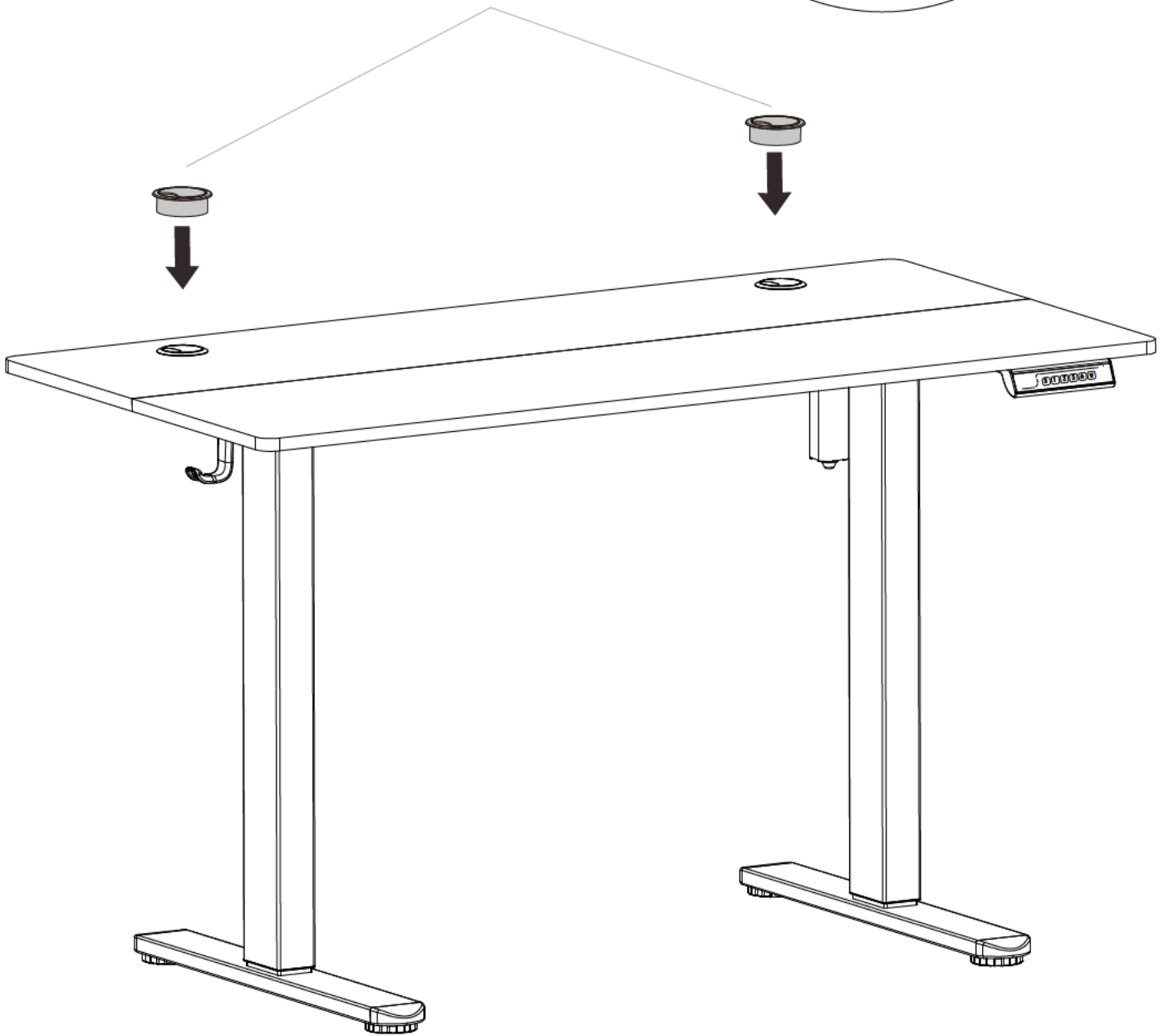


Step 4 Connecting the Cables

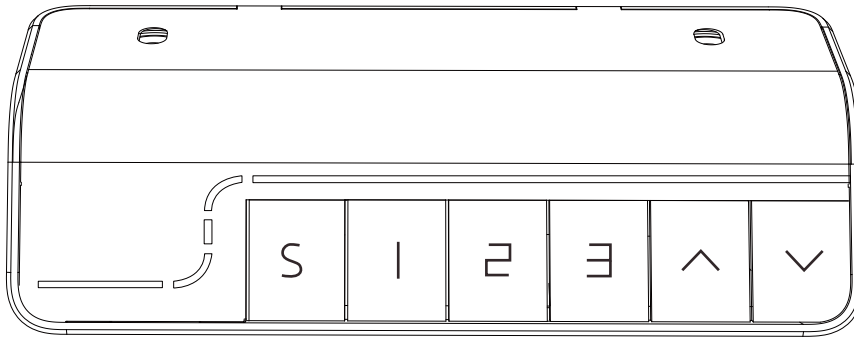




Hx2



Using the Controller



Short-press the **S** button, and the display will flash. Press the 1, 2, or 3 button to save the current height setting to that button.



Press the **1** button, and the desk will move to the height that was previously set for that button.



Press the **2** button, and the desk will move to the height that was previously set for that button.



Press the **3** button, and the desk will move to the height that was previously set for that button.



Press the **▲** button to raise the desk continuously until it reaches the highest position of 46.5" (118cm) or the button is released.



Press the **▼** button to lower the desk continuously until it reaches the lowest position of 28.3" (72cm) or the button is released.

Settings

• Change Display Height Units

Press and hold the **S** button until a flashing 'S--' is displayed. Press **S** again and 'Un' is displayed. Press **S** to select it, press **▲** or **▼** to switch between 'IN' (imperial) and 'SI' (metric), and press **S** to save your choice.

• Change Collision Detection Sensitivity

Press and hold the **S** button until a flashing 'S--' is displayed. Press **S** again and 'Un' is displayed. Press **▲** or **▼** to switch to 'CF' and press **S** to select it. Press **▲** or **▼** to switch between off, low, normal, and high sensitivity. Press **S** to save your choice.

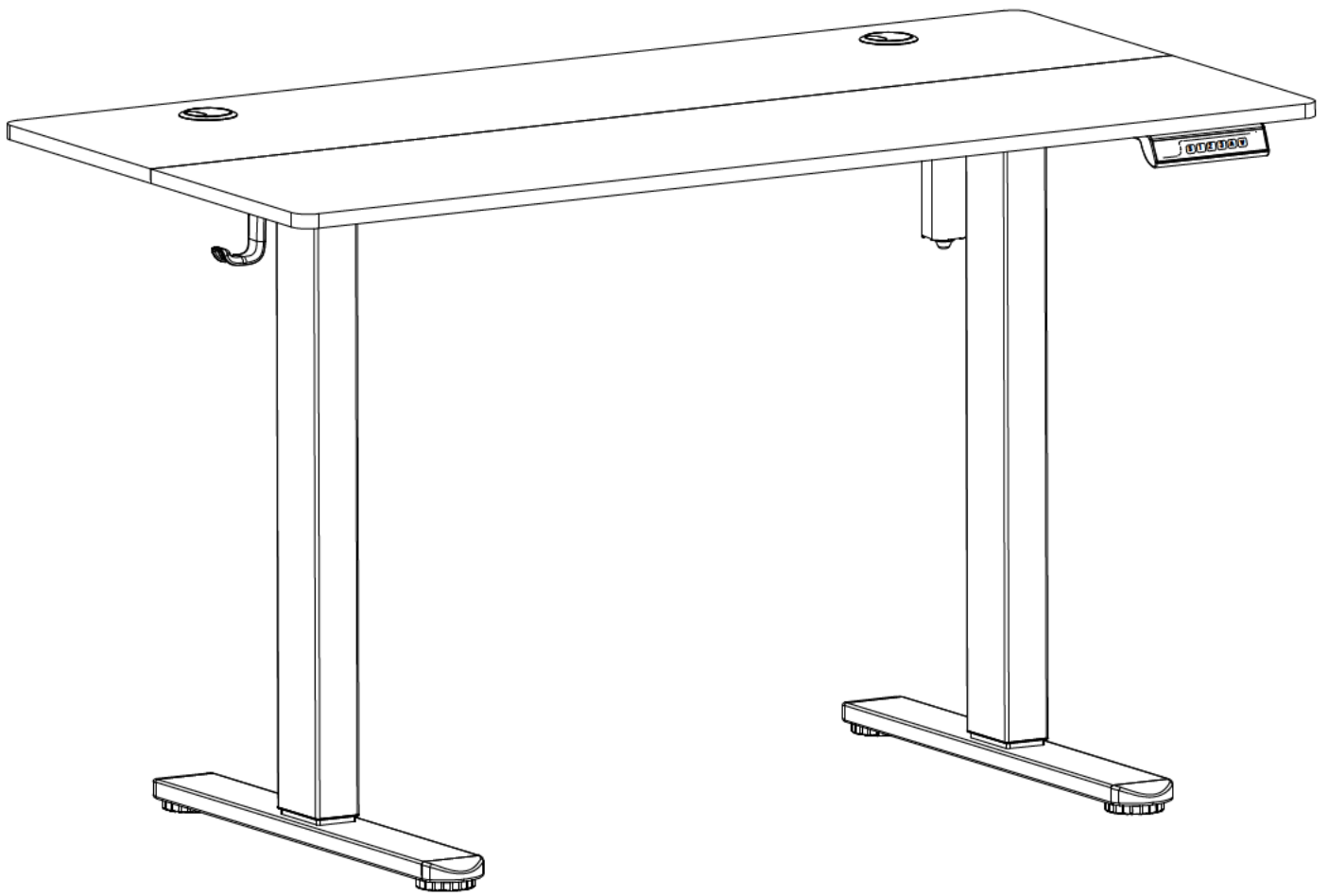
• Reset

Press and hold the **▼** button for 5 seconds, and the screen will show 'RES'. Continue holding until the desk goes down to its lowest level and comes back up slightly.

Protection Mode Error Codes

Hot	Overheating Protection: When the motor has been working continuously for 2 minutes, it will stop operating to prevent damage from overheating. Wait for at least 18 minutes before making any further height adjustment.
E10	Sensor Malfunction Warning: Motor safety sensor can't be detected. Power off, check the connection between the motor and controller, and power back on again.
E20	Overloading Warning: Max load exceeded. If raising the desk take the things off the desk and try again. If lowering the desk, power off, take the things off the desk, power back on and try again.

E02	Operation Status Warning: The desk stops moving if vibration, impact, or incline are detected. If this detection is incorrect, follow the reset instructions before continuing use.
E32	Overvoltage Protection: Input voltage too high. If the correct AC adapter is being used, power off the desk, check the connection between power and the controller, and power on again.
E31	Undervoltage Protection: Input voltage too low. If the correct AC adapter is being used, power off the desk check the connection between power and the controller and power on again.
E60	Unequal Leg Height Warning: Power off the desk and check whether the left and right legs are at the same height. Adjust if necessary by following the instructions. Power on again.
-	Cable Disconnection Warning: Check motor and controller cable connections. Normal operation should return once all connectors are properly connected.



Thank you for choosing this product. We strive to provide you with the best quality products and service in the industry. Should you have any issues, please don't hesitate to contact us.