

# MODEL#: **ES1578TLBS**

## PRODUCT SPECIFICATION SHEET



**DESCRIPTION:**

8" Single Handle Kitchen Fct W/Brass Sprayer, Sn

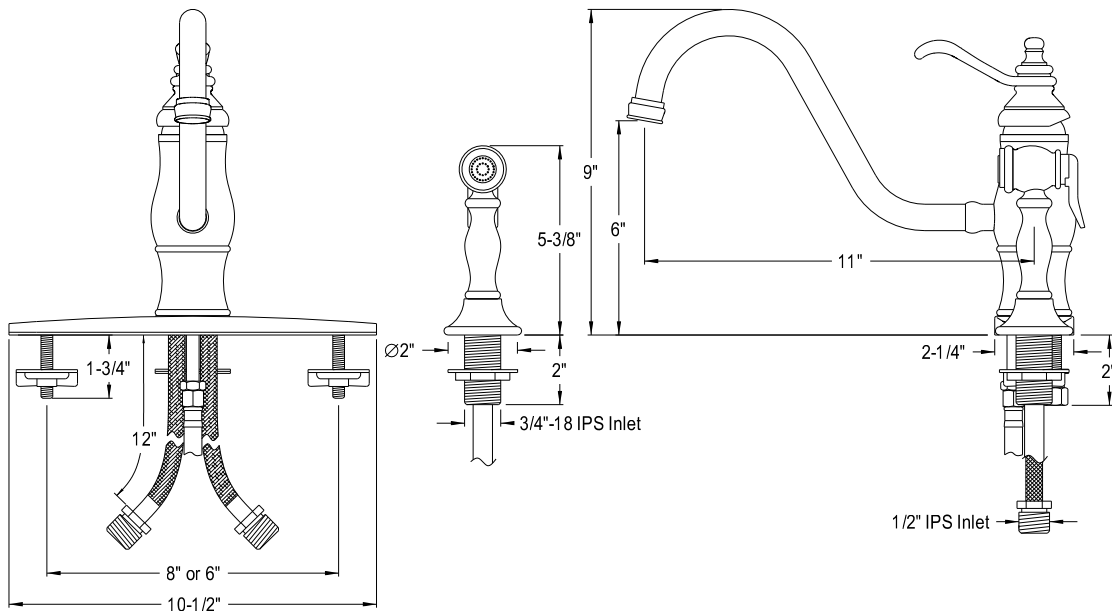


**CARTRIDGES (If applicable):**

CARTRIDGE TYPE	MODEL #
Hot Cartridge	
Cold Cartridge	
Shared or Single H&C Cartridge	KSRP3891C
Diverter (If applicable)	

**Note:** Please always check with Elements of Design Customer Service for Cartridge Model Number Verification before you order.

**Note:** Photo above and Drawing below shows overall style of the product, handle styles may be different to the product model number this specification sheet is referring to.



Ref# KS1571.2,3,5,6,8TLBS | 2009-04-A