







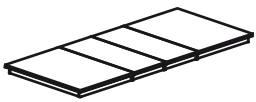
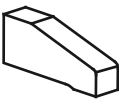
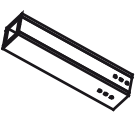


# Assembly Instructions

## RECT ACACIA VNR TOP EXT TRESTLE DINING TABLE

### HARDWARE PART:

					
Hex Nut 16 pcs	Lock Washer 24 pcs	Flat Washer 24 pcs	Wrench 1 pc	JCBB Bolt 8 pcs	Allen Key 1 pc

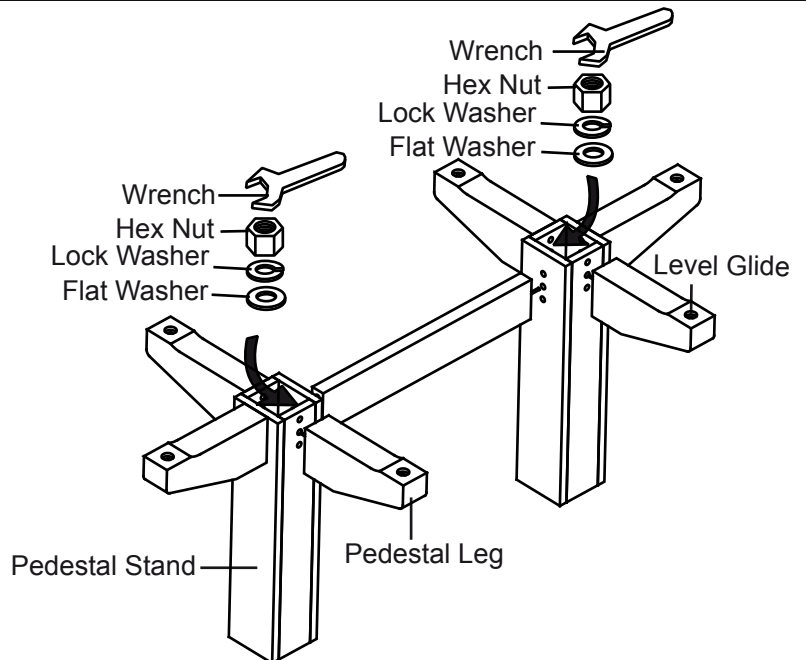
### TABLE PARTS:

				
Table Top 1pc	Pedestal Leg 6pcs	Pedestal stand 2pcs	Leg Stretcher 1pc	Mounting plate 2pcs

**NOTE:** THE UNIT SHOULD BE ASSEMBLED BY 2 OR MORE PEOPLE.

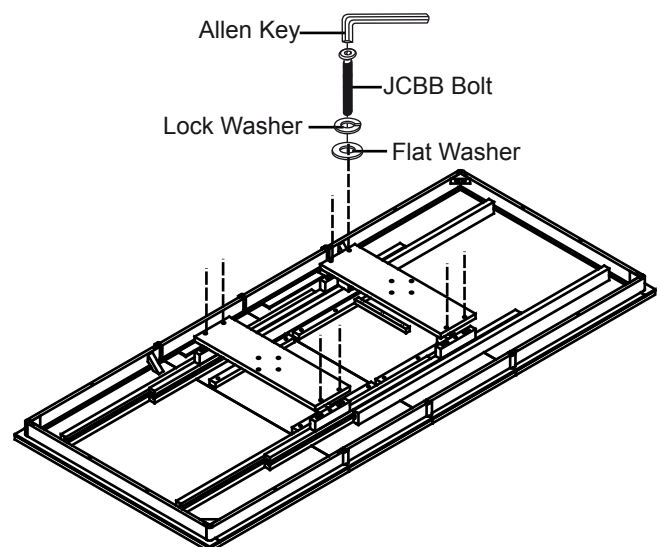
### STEP 1

Turn both pedestal upside down. Attach legs by inserting hanger bolts through pre-drilled holes on the pedestal. Put a **Flat Washers, Lock Washers** and **Hex Nut** onto the hanger bolts then tighten using the **Wrench**. Attach leg stretcher by inserting hanger bolt through pre-drilled holes on pedestal, put a **Flat Washers, Lock Washers** and **Hex Nut** onto the hanger bolt, then tighten using the **Wrench**.



### STEP 2

Position the table top upside down on a smooth, protective surface such as carpet. Attach Mounting Plate as shown. Secure with **Flat Washers, Lock Washers** and **JCBB Bolt**, then tighten all **JCBB Bolts** with **Allen Key** provided.

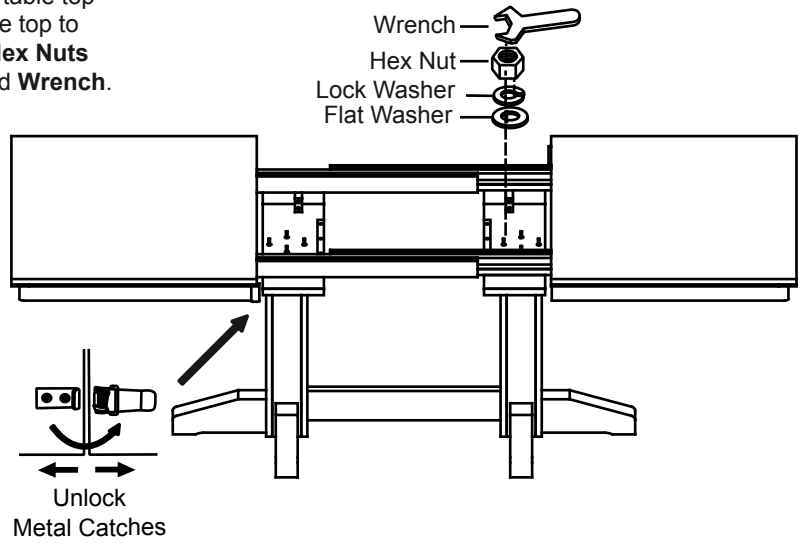


# Assembly Instructions

## RECT ACACIA VNR TOP EXT TRESTLE DINING TABLE

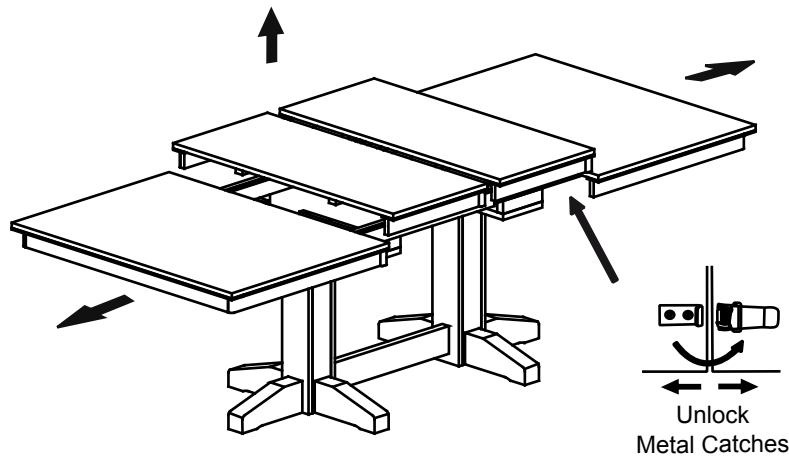
### STEP 3

Unlock the metal catches underneath the table and pull the table top wide open equally from both ends. Align and attach the table top to the pedestal. Insert a **Flat Washers, Lock Washers** and **Hex Nuts** onto the hanger bolts. Tighten all **Hex Nuts** with the provided **Wrench**.



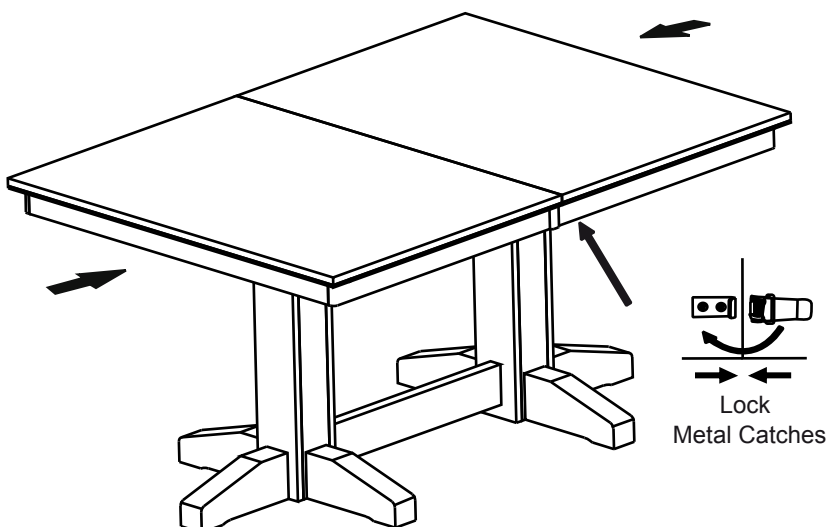
### STEP 4

Unlock the metal catches underneath the table and pull the table top wide open equally from both end. Remove the center leaf as shown.



### STEP 5

Push table top from both ends to close. Lock the metal catches underneath the table.



#### IMPORTANT :

Loosely assemble all parts and level on a flat surface before final tightening. Use of power tools is not recommended.