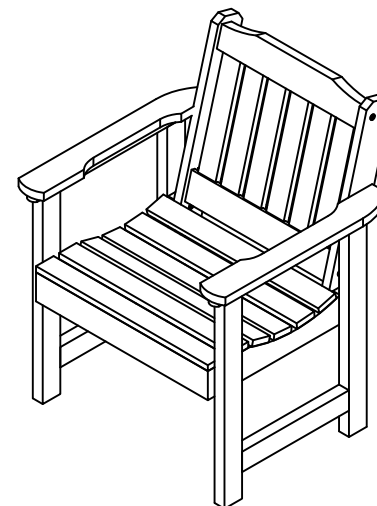
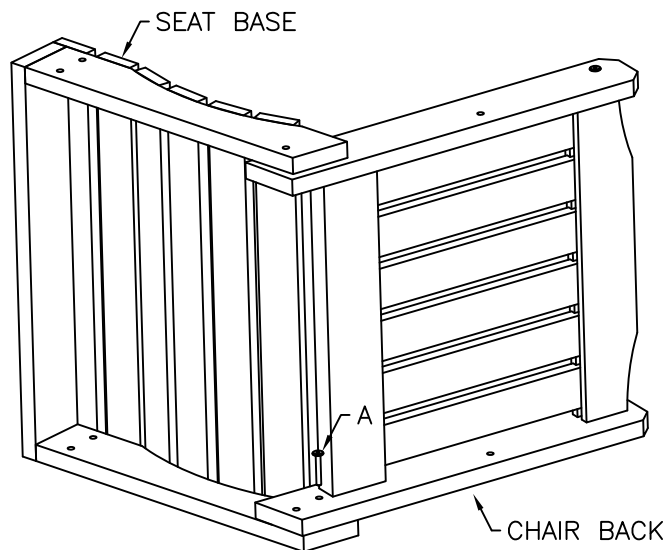
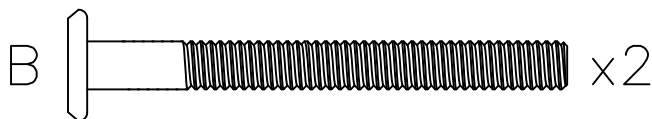
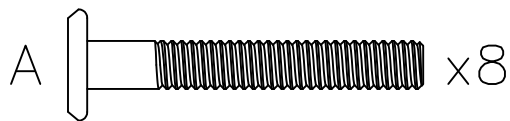


Do not fully tighten the bolts until all bolts are started. Once all bolts are inserted, then go back and tighten all the bolts.

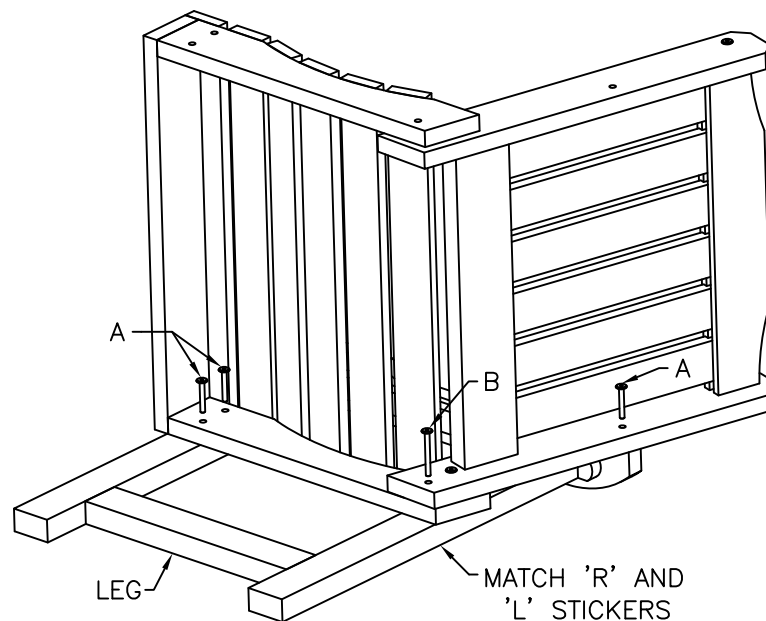
GARDEN CHAIR ASSEMBLY INSTRUCTIONS



HARDWARE



- 1) Attach Chair Back to Seat Base using one A bolt in the upper hole
- 2) Repeat on other side



- 3) Attach the Leg Assembly to the Seat Base using three A bolts and one B bolt as shown above
- 4) Repeat on other side