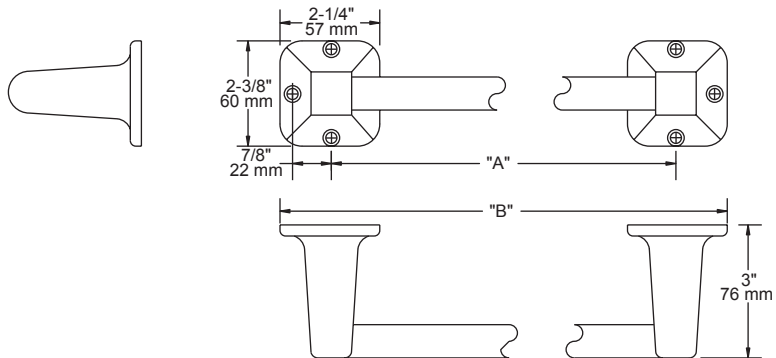
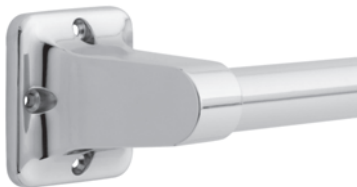


# Assist Bars

## 500 Series



### MATERIALS:

Assist bar posts are made in zinc die cast alloy. Castings are polished and plated with chrome, polished brass or white polyester powder coat. Bars are 7/8" O.D. x (21 gauge) type 304 stainless steel and are chrome plated, polished brass or white polyester powder coat.

### INSTALLATION:

Assemble posts and bar by tightening 1/4" x 20" x 1-1/2" nylon fastener under each post until bar is secure. Install posts and bar with 3 - #8 x 1-1/2" flat head stainless steel screws per post.

Note: 500 series grab bars are engineered to meet 300 lbs. pull when properly installed.

### SPECIFICATION:

Surface mounted assist bar shall be model \_\_\_\_\_  
(fill in model number) by Liberty Hardware® Manufacturing Corporation.

LENGTH	9" (229 mm)	16" (406 mm)	24" (610 mm)
DIM "A"	8-3/8" (213 mm)	15-3/8" (391 mm)	23-3/8" (594 mm)
DIM "B"	10-5/8" (270 mm)	17-5/8" (448 mm)	25-5/8" (651 mm)