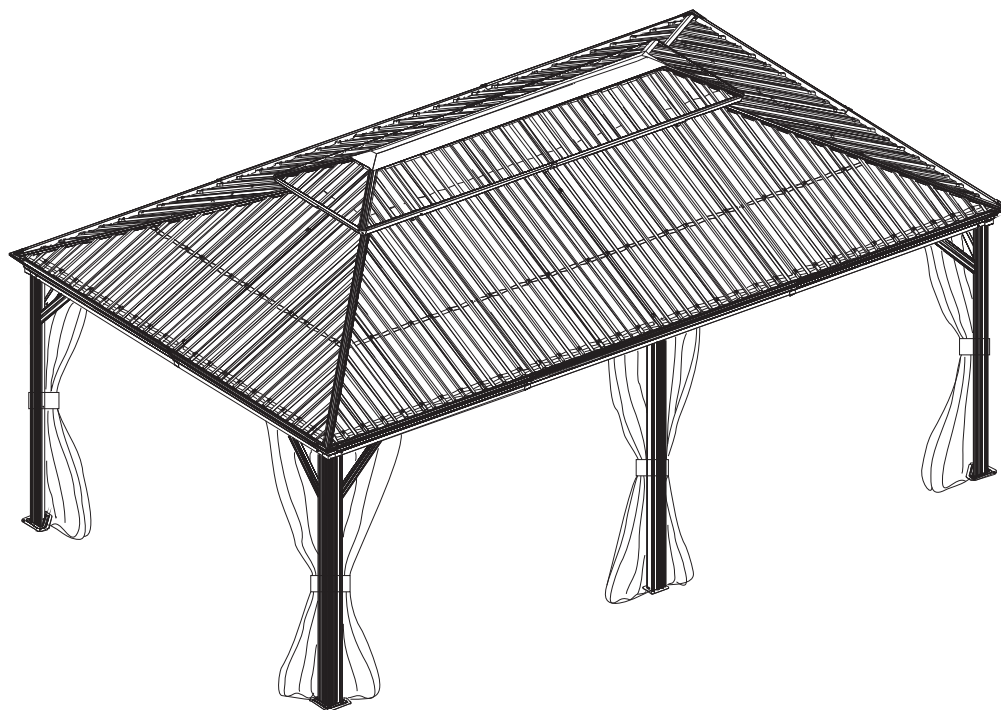




**PURPLE LEAF 12'X20' HARDTOP GAZEBO
WITH DOUBLE ROOF, WOOD PATTERN**

ASSEMBLY MANUAL



PURPLE LEAF PRODUCTS

www.purpleleafgarden.com

©Copyright 2016-2020 Purple Leaf Inc. All Rights Reserved

Questions, problems, missing parts with this product?

Do not hesitate to contact us at

gazebo@purpleleafgarden.com

Warnings and Cautions

Please retain this instruction for future usage and read carefully before assembly.

Make sure you have all the parts & hardware as item list shows.

2 adults or more are recommended to install your gazebo.

Do not discard any of the packaging until you have checked that you have all the parts and pack of fittings.

Check all bolts for tightness before use, and periodically check and tighten bolts ensure your gazebo works properly.

Some parts might have sharp edges/corners. Please follow basic safety precautions to reduce the risk of hurts.

*Maximum weight capacity is **1000 ponds**.*

*It is essential to place the gazebo on level ground and not less than **6 feet** from any obstruction such as fences, garages, the house,*

CHOKER HAZARD

THIS ITEM CONTAINS SMALL PARTS WHICH CAN BE SWALLOWED BY CHILDREN.

PLEASE KEEP IT AWAY FROM CHILDREN UNDER 3 YEARS OLD and PETS DURING INSTALLATION.

Pre-assembly Pré-assemblage

TOOLS THAT MAY BE REQUIRED (Not included in boxes)

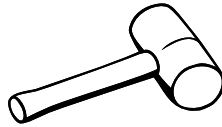
**NOTE: Tools / equipment are not shown to actual size and scale.*

OUTILS QUI PEUVENT ÊTRE NÉCESSAIRE (Non inclus à l'intérieur des boîtes)

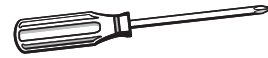
**NOTE: Les outils / équipement ne sont pas montrés à la taille et à l'échelle réelles .*



**LEVEL
NIVEAU**



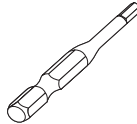
**RUBBER MALLEY
MAILLET EN
CAOUTCHOUC**



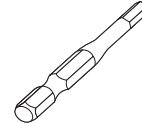
**PHILLIPS SCREW
DRIVER
TOURNEVIS ÉTOILE**



**DRILL
PERCEUSE**



**ALLEN KEY
(BIT 5/32")
CLÉ ALLEN**



**ALLEN KEY
(BIT 7/32")
CLÉ ALLEN**

EQUIPMENT REQUIRED (Not included in boxes)

**NOTE: Equipment are not shown to actual size and scale.*

ÉQUIPEMENT REQUIS (Non inclus à l'intérieur des boîtes)

**NOTE: Les outils / équipement ne sont pas montrés à la taille et à l'échelle réelles .*



**SAFETY HAT
CASQUE DE SÉCURITÉ**



**GLOVES
GANTS**



**SAFETY GOGGLES
LUNETTES DE SÉCURITÉ**



**STEPLADDER
ESCABEAU**



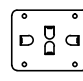


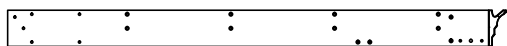
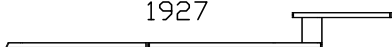

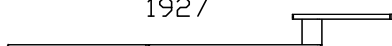

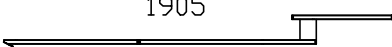


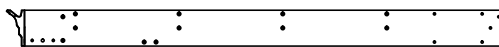


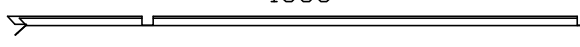

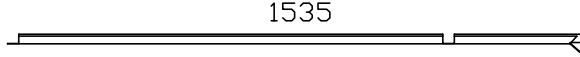

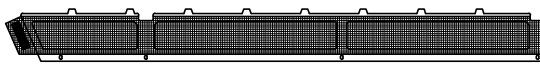
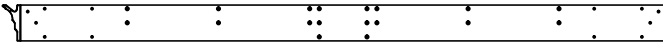
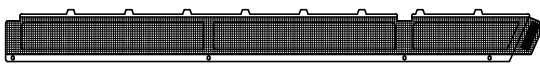
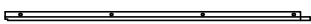
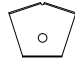
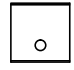
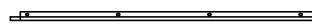
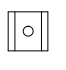



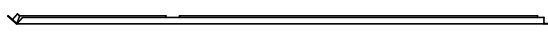

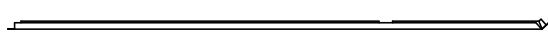

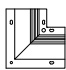

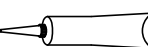
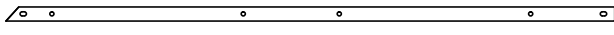

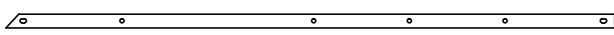

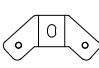


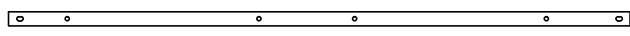
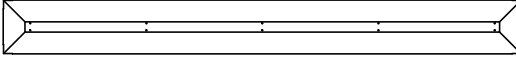
Matters needing attention

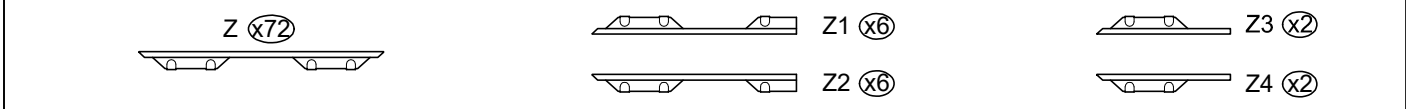
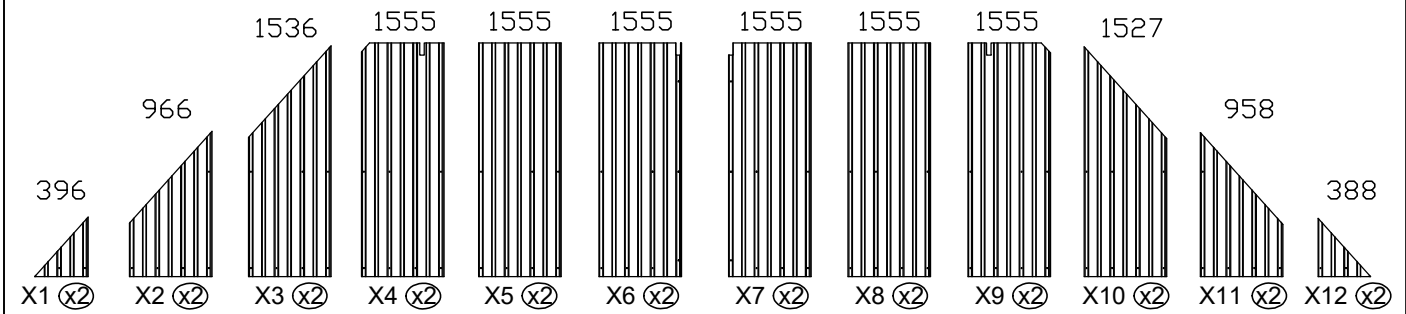
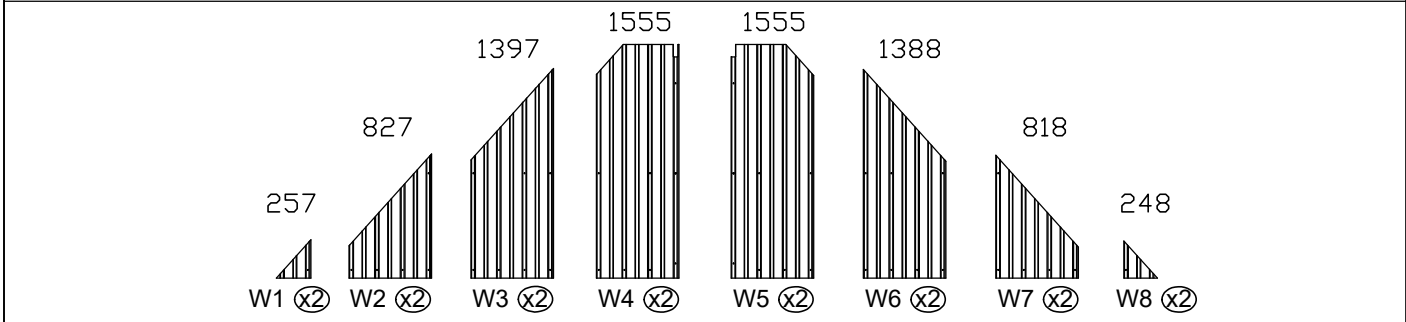
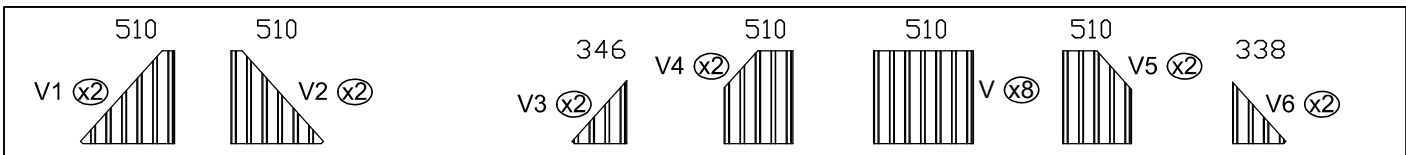


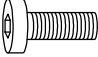
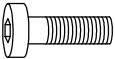
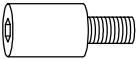
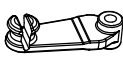
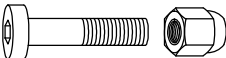
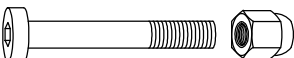
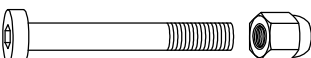
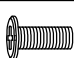

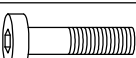
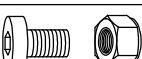
1. Two or more people are required for assembly.

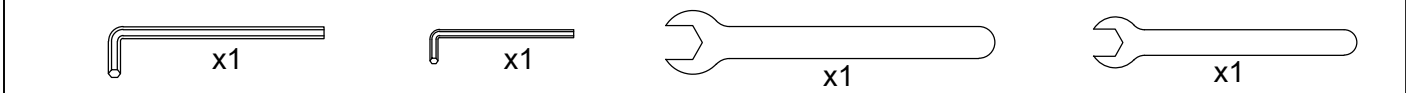


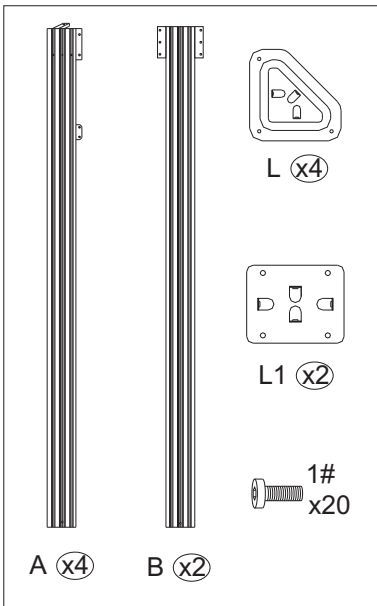
2. Do not fully tighten screws prior to complete assembly.

 2080 A (x4)	 L (x4)	 L1 (x2)
 2080 B (x2)	 2610	M (x4)
 1715 C (x4)	 1927	N (x2)
 1592 C1 (x4)	 1927	N1 (x4)
 1611 C2 (x2)	 1905	N2 (x2)
 1611 C3 (x2)	 740	P (x2)
 1715 D (x4)	 822	P1 (x2)
 1592 D1 (x4)	 1535	Q1 (x2)
 1611 D2 (x2)	 1535	Q2 (x2)
 1611 D3 (x2)	 1580	Q3 (x2)
 2300 E (x2)	 1580	Q4 (x2)
 1088 E1a (x2)	 R (x8)	 R1 (x2)
 1088 E1b (x2)	 S (x160)	
 1076 E2a (x2)	 1021	T (x2)
 1076 E2b (x2)	 1680	T1 (x2)
 600 F (x6)	 1680	T2 (x2)
 H (x6)	 G (x4)	
 H1 (x6)	 H2 (x1)	 1085
 555 J1 (x4)	 1085	U2 (x4)
 555 J2 (x4)	 U3 (x4)	 U4 (x8)
 2489 K (x1)	 1108	U5 (x4)
 2565 K1 (x1)		

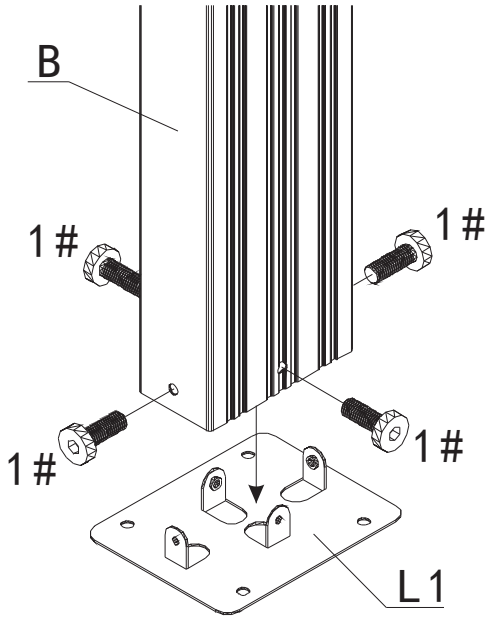
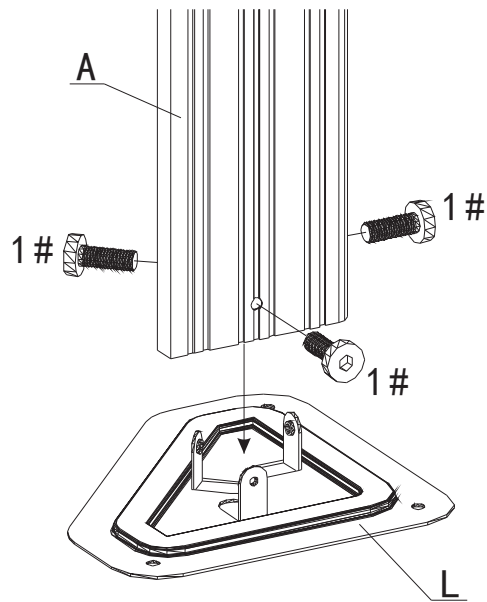
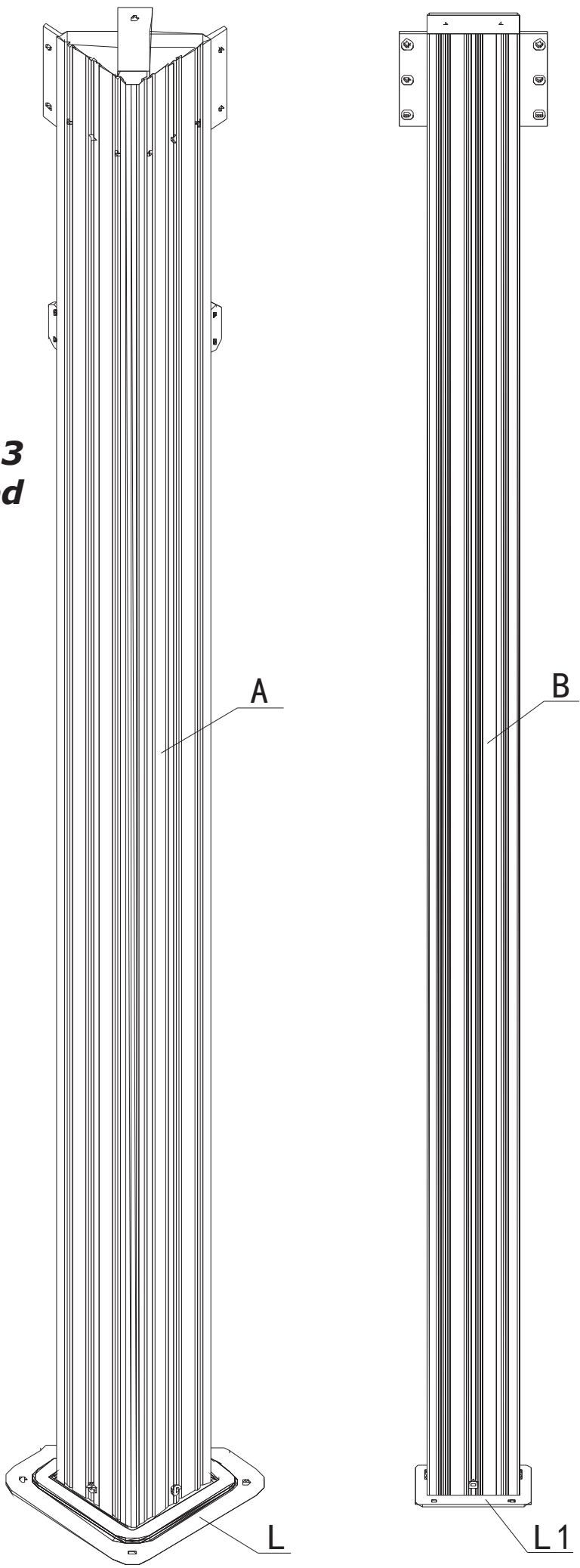


	M6x16	1# x301
	M6x20	2# x28
		3# x16
		4# x76
	M6x28	5# x100
	M6x45	6# x8
	M6x50	7# x48
	M5x16	8# x6
	ST4.8x13	9# x28
	M6x25	10# x4
	M6x10	11# x12





Do not fully tighten all the 3 bolts until you have screwed all of them in.





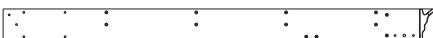
C2 (x2)



D2 (x2)



F (x2)



C (x2)



D (x2)



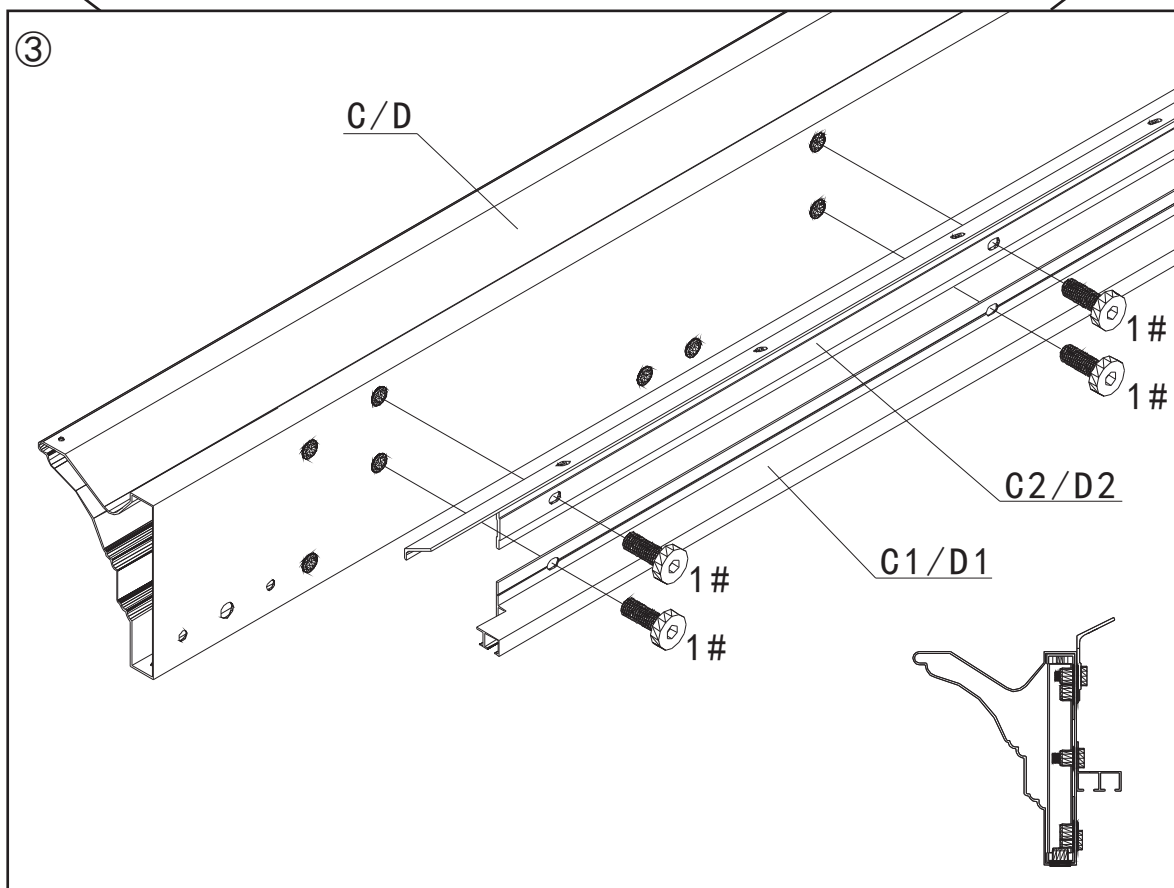
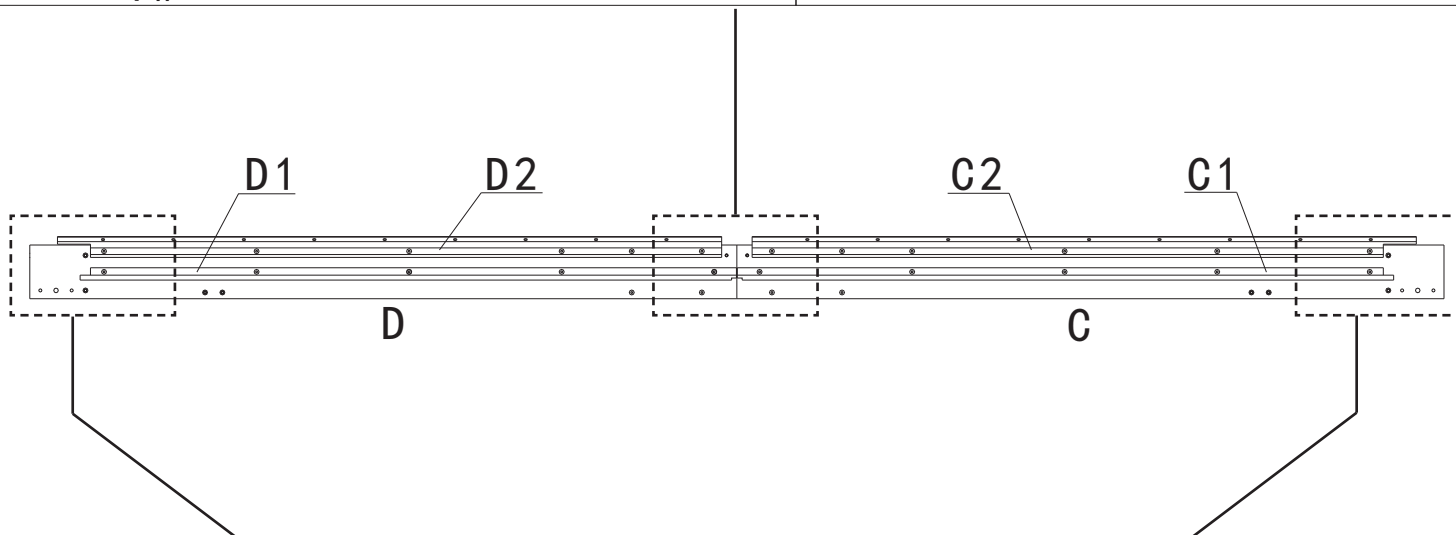
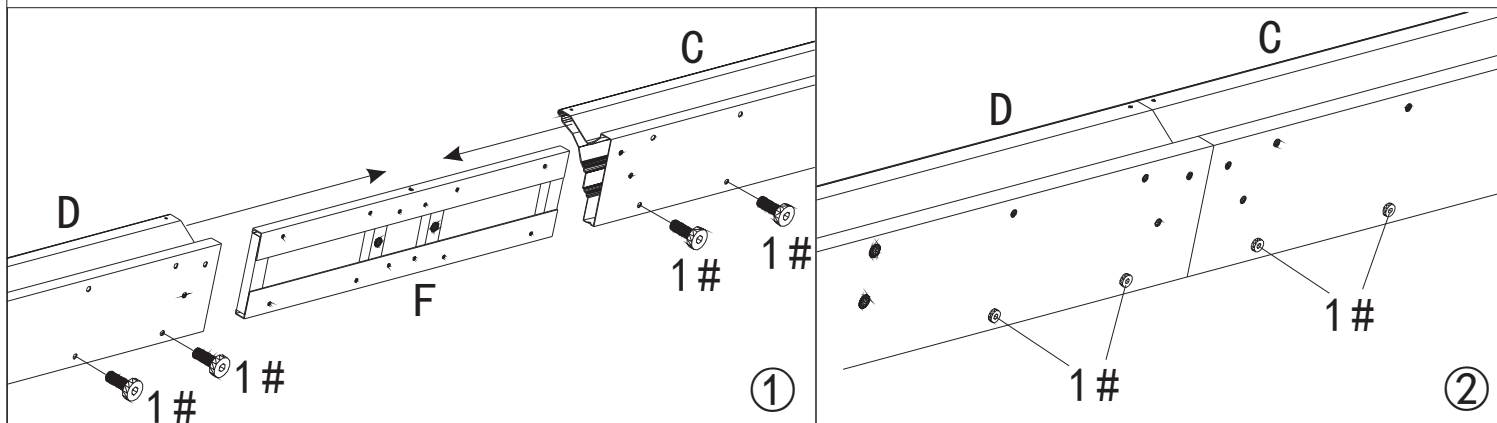
C1 (x2)

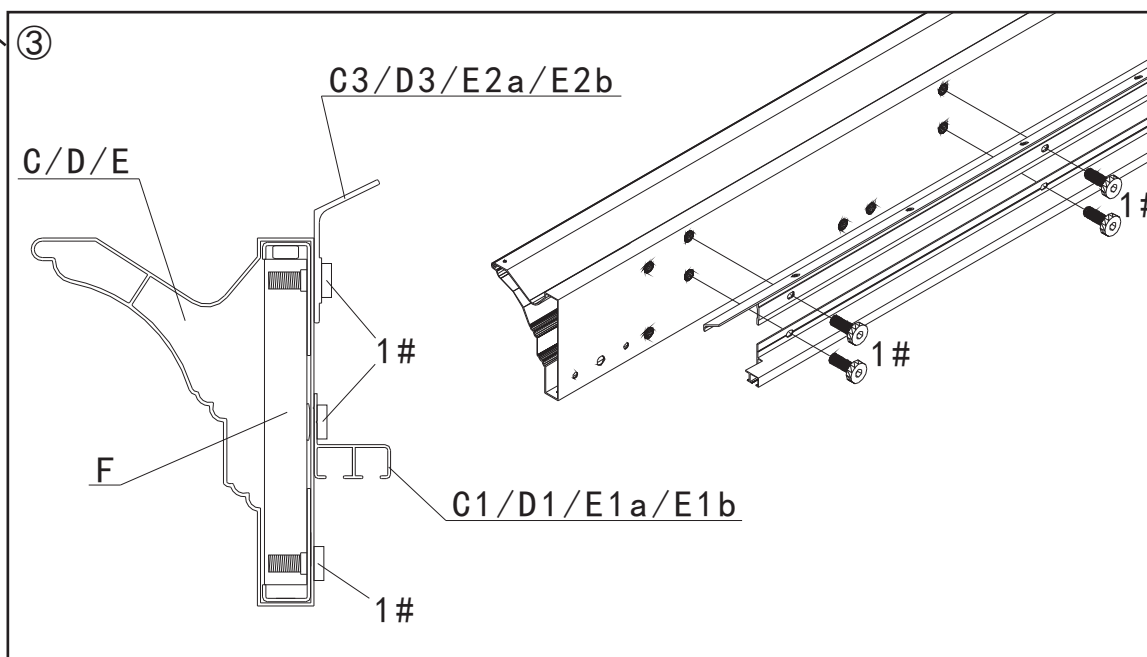
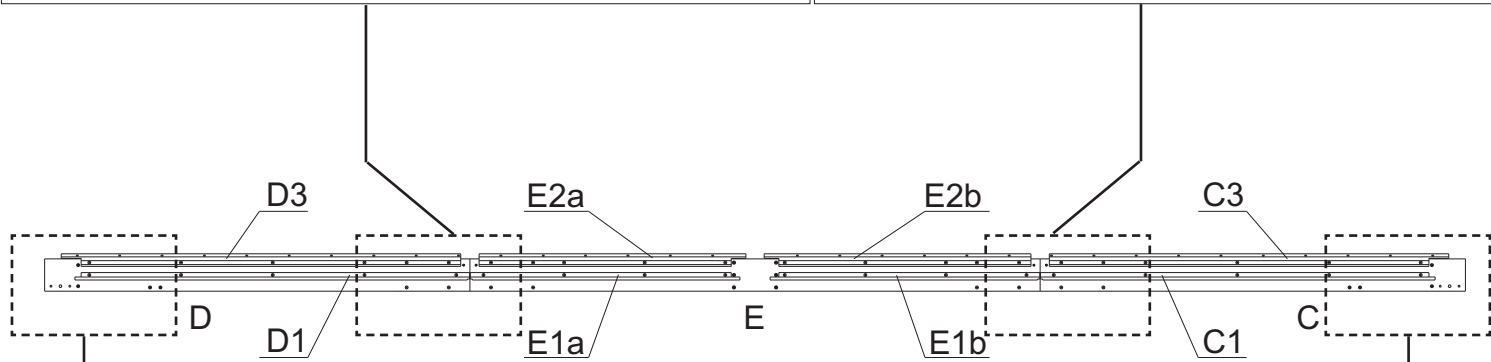
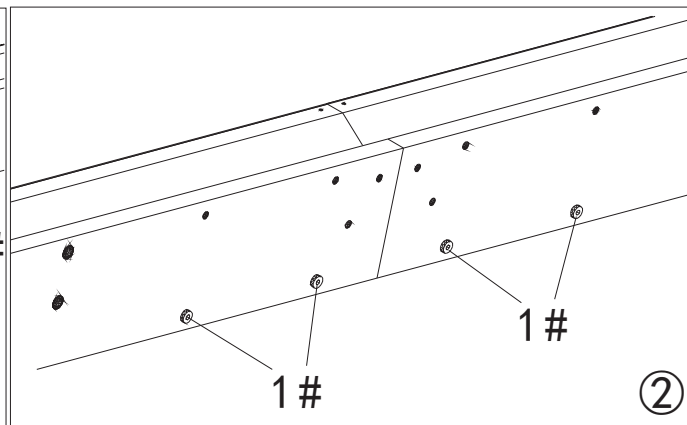
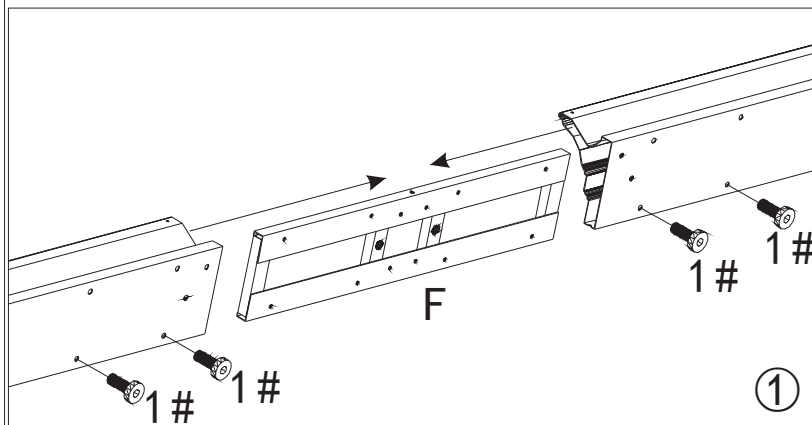
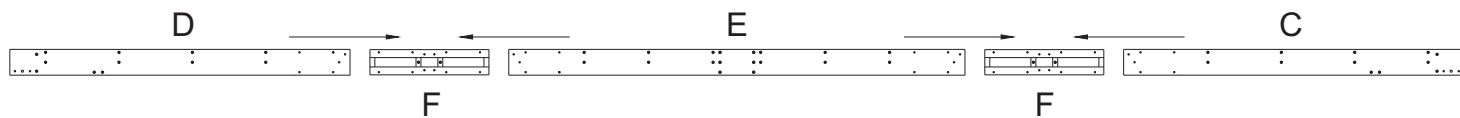
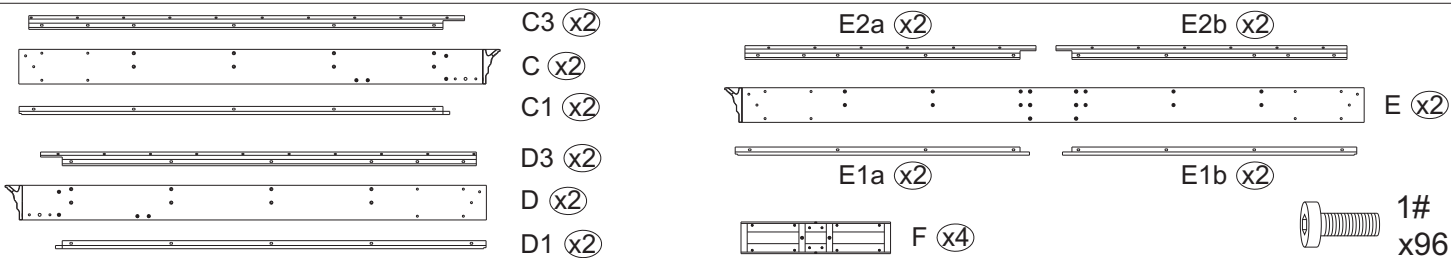


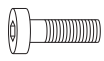
D1 (x2)



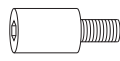
1#
x52



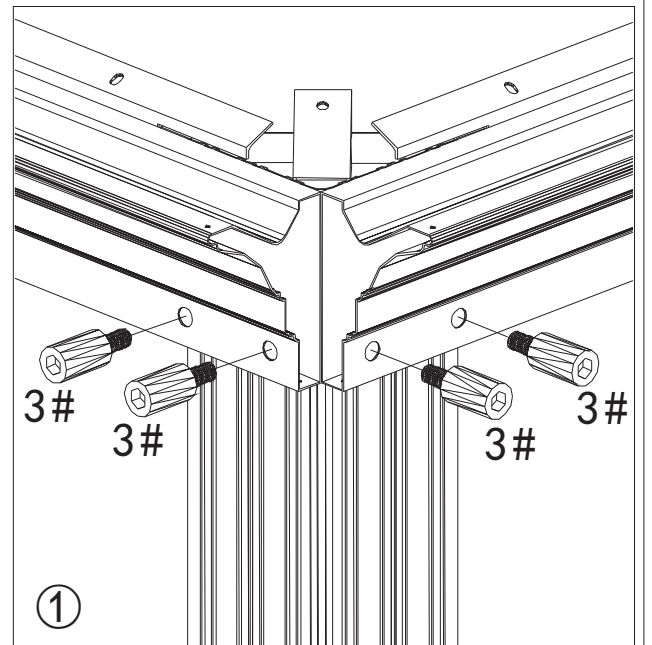
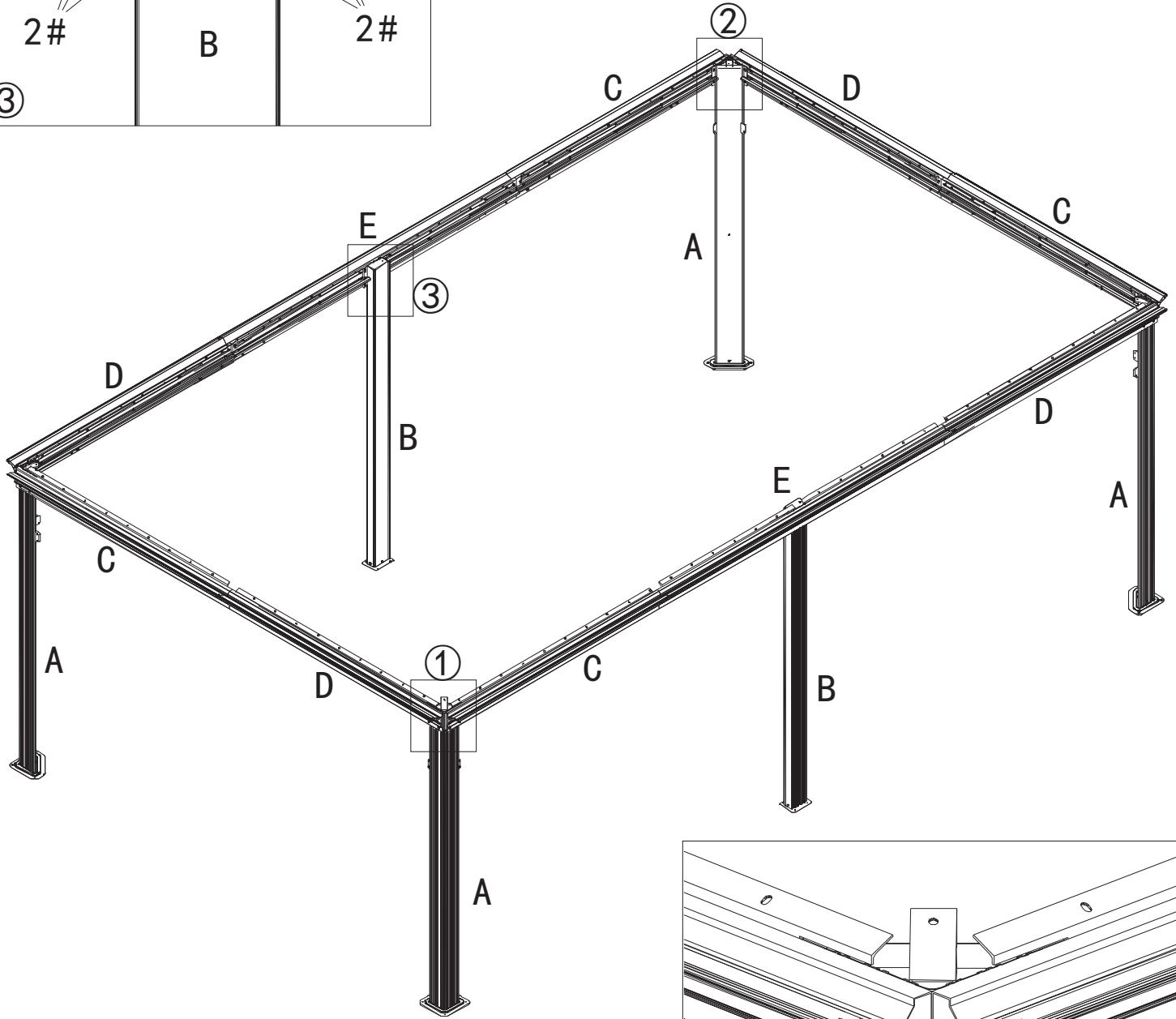
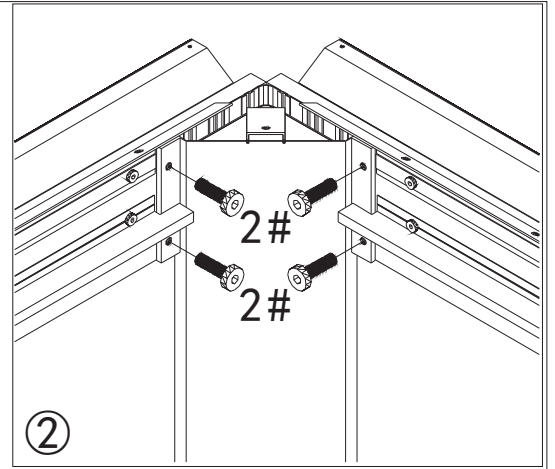
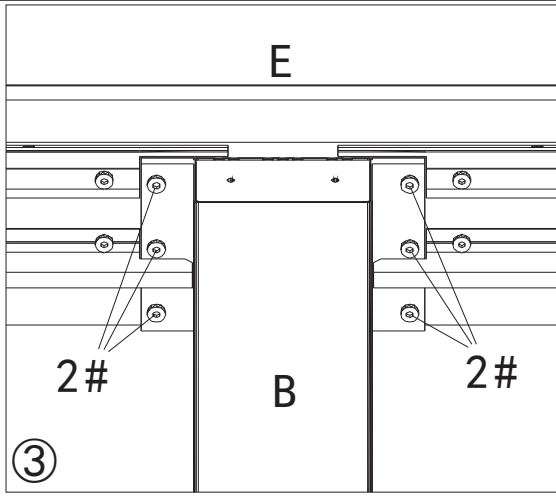


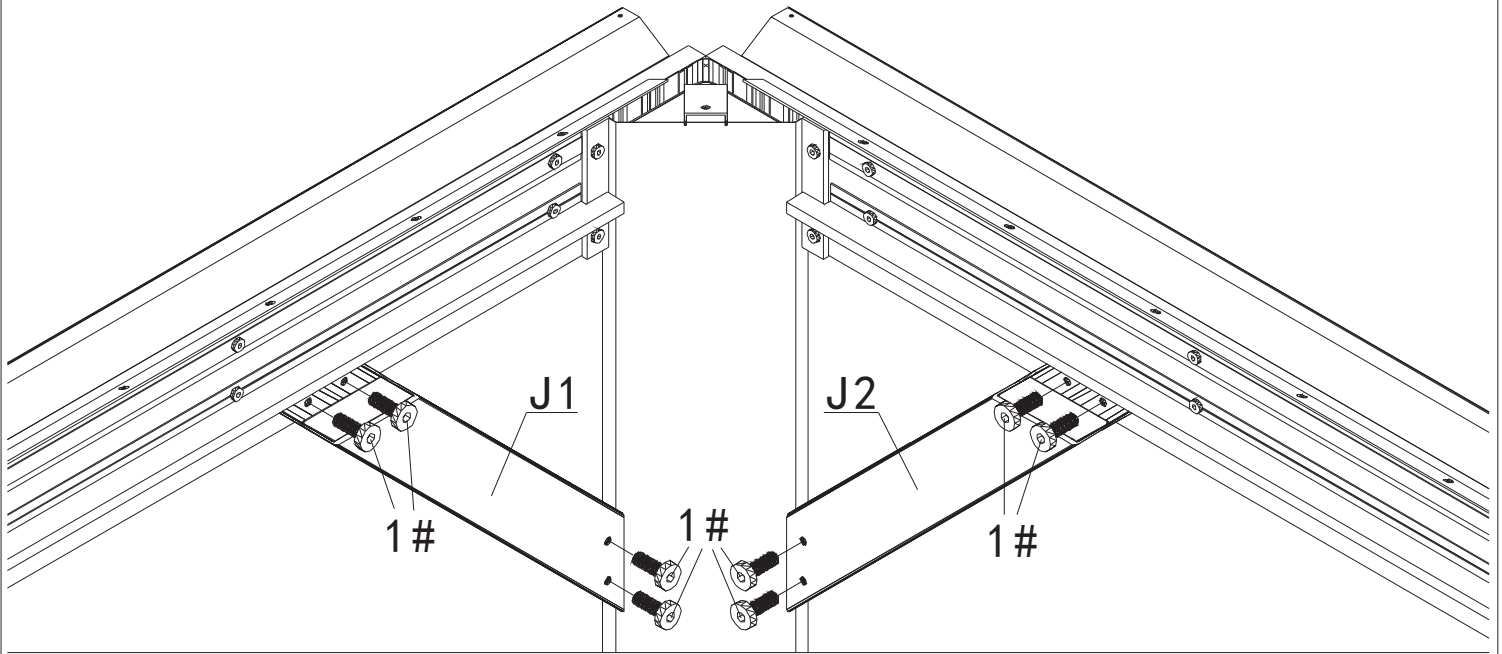
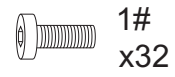


2#
x28

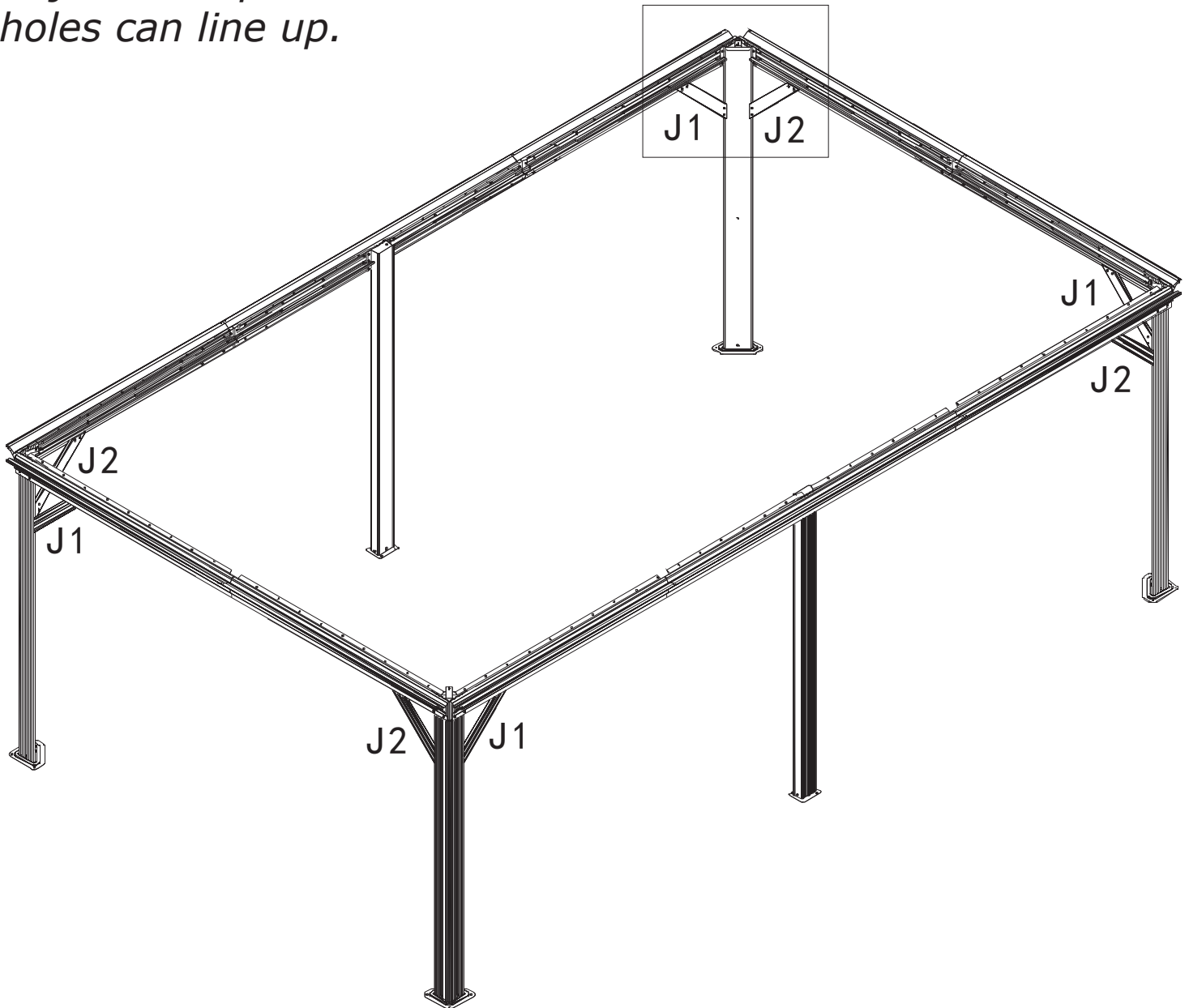


3#
x16





Adjust the pole until the holes can line up.





G (x4)



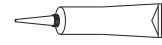
H (x6)



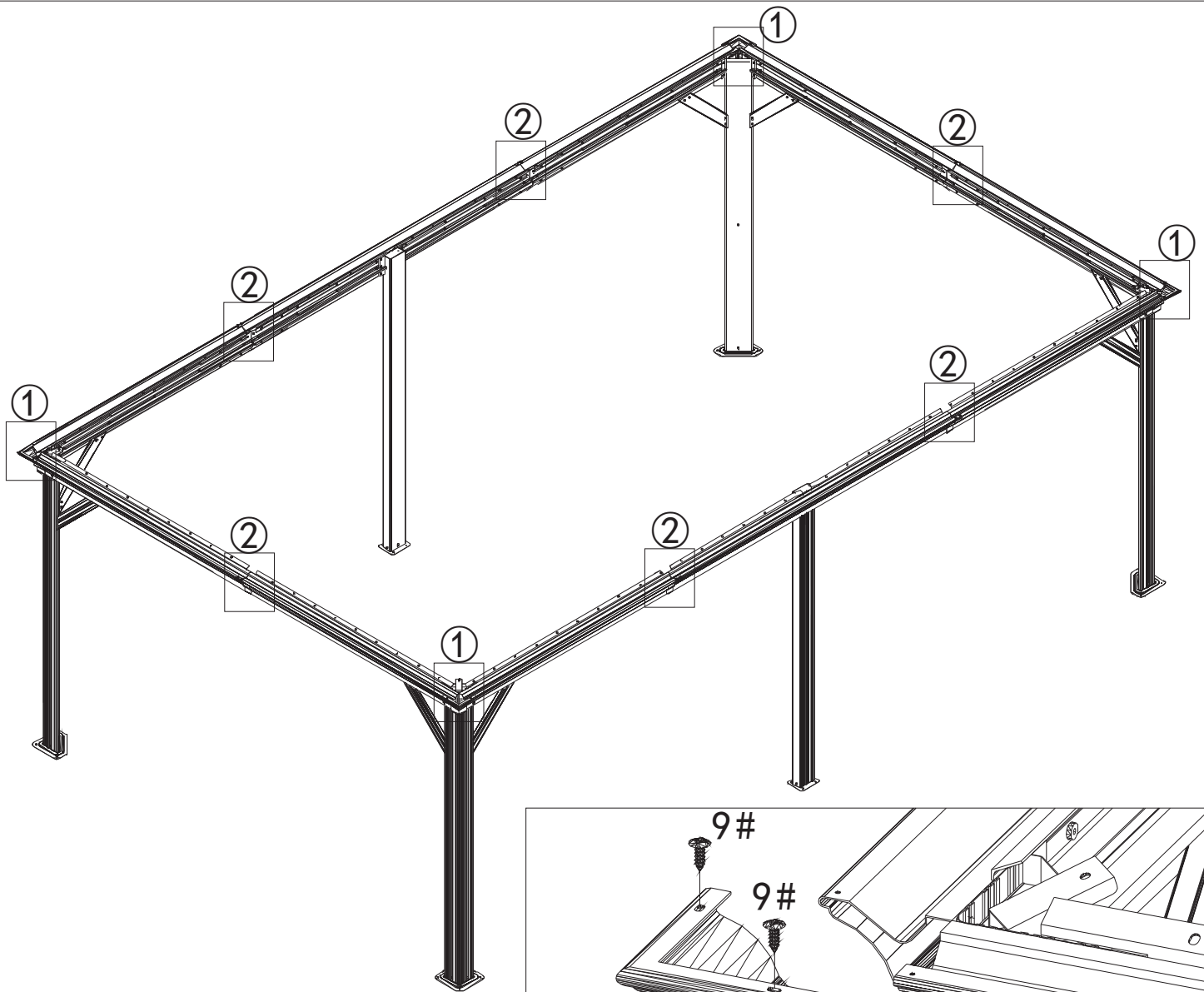
8#
x6



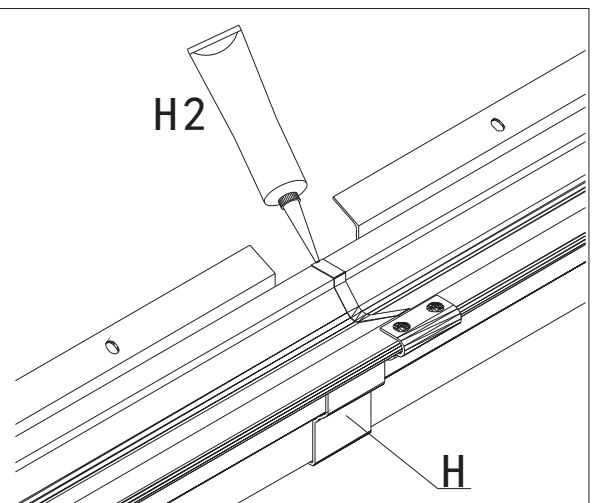
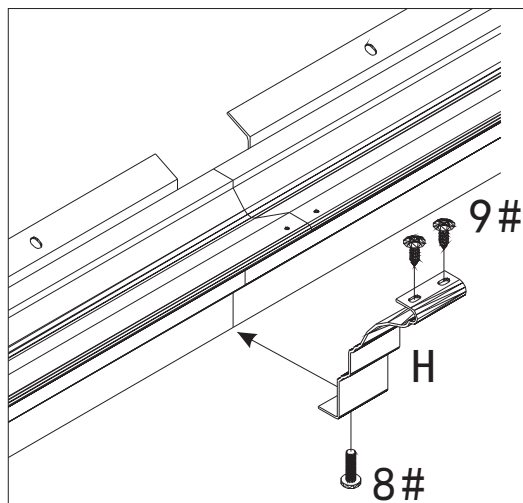
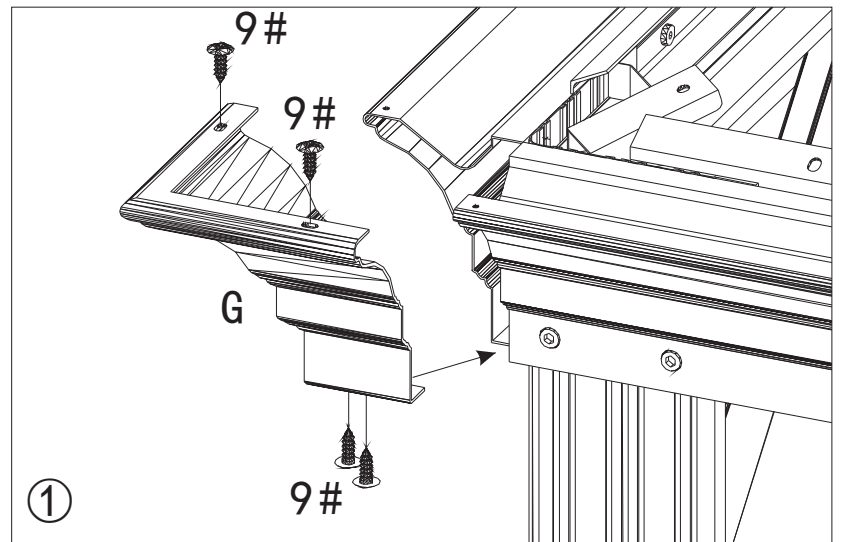
9#
x28

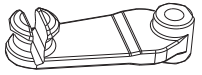


H2 (x1)

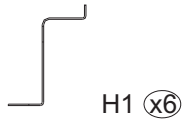


Push hard if the holds don't line up.

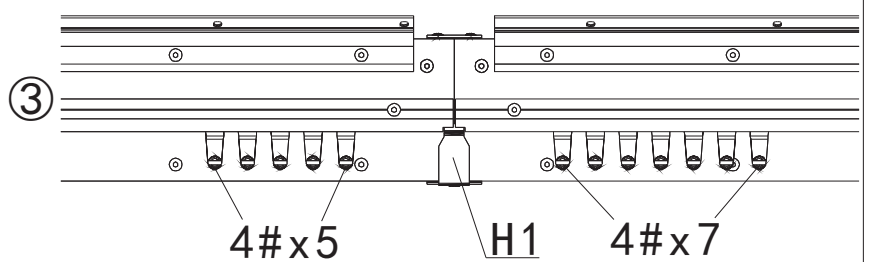
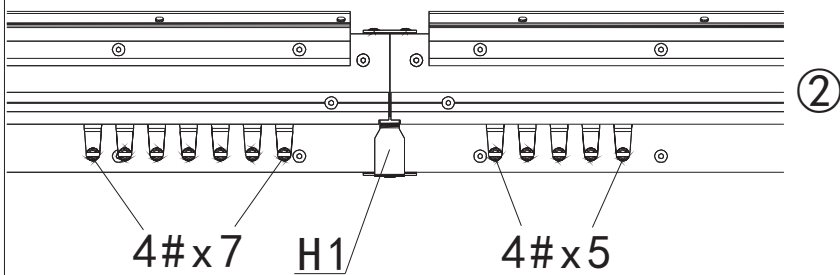
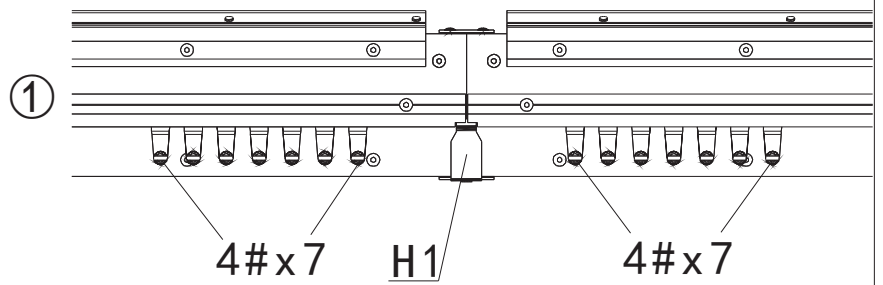
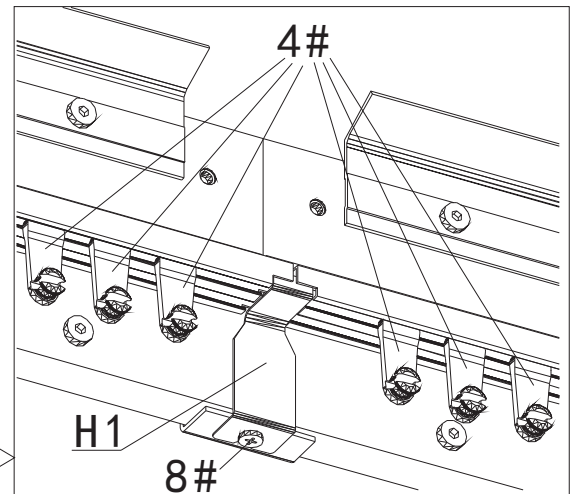
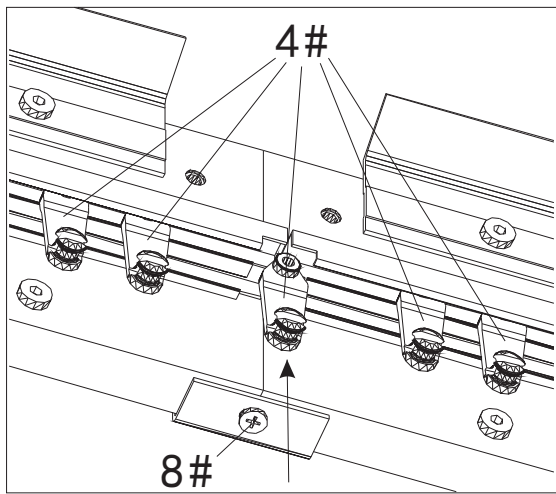
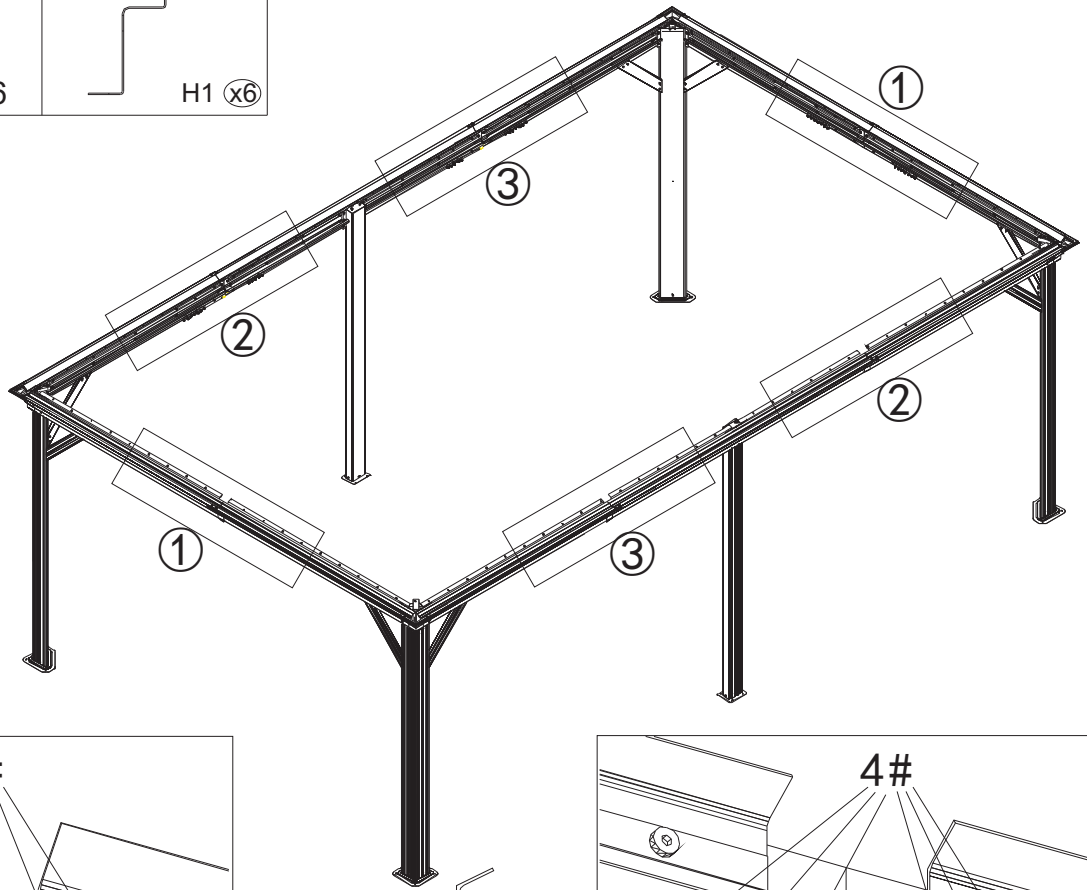


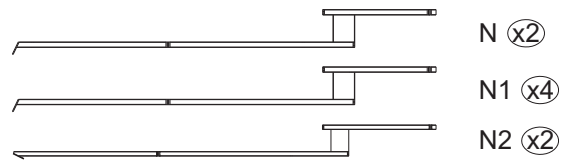
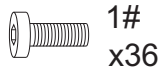


4#
x76

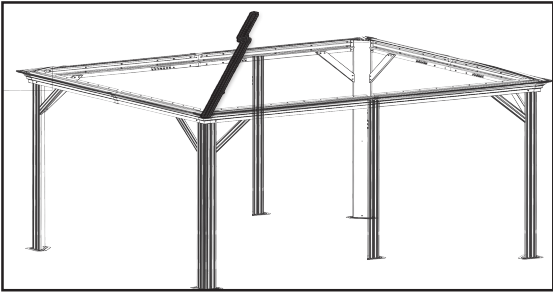


H1 (x6)

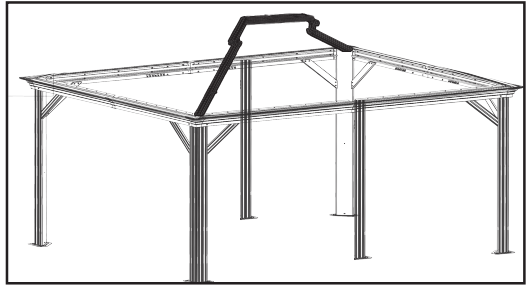




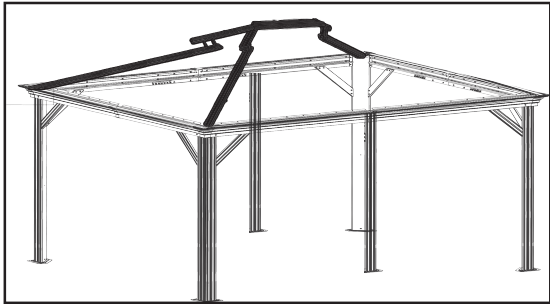
1



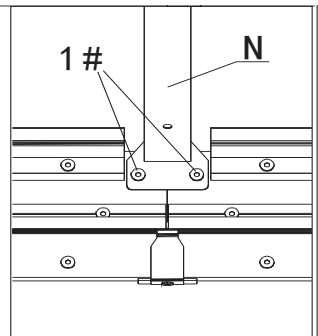
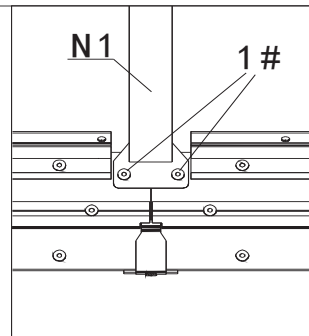
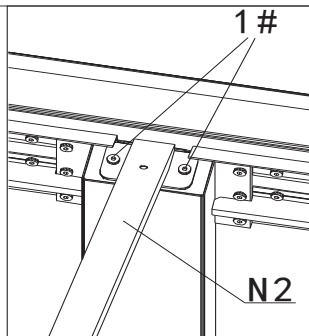
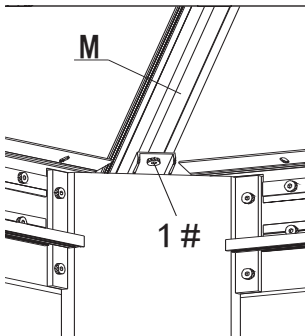
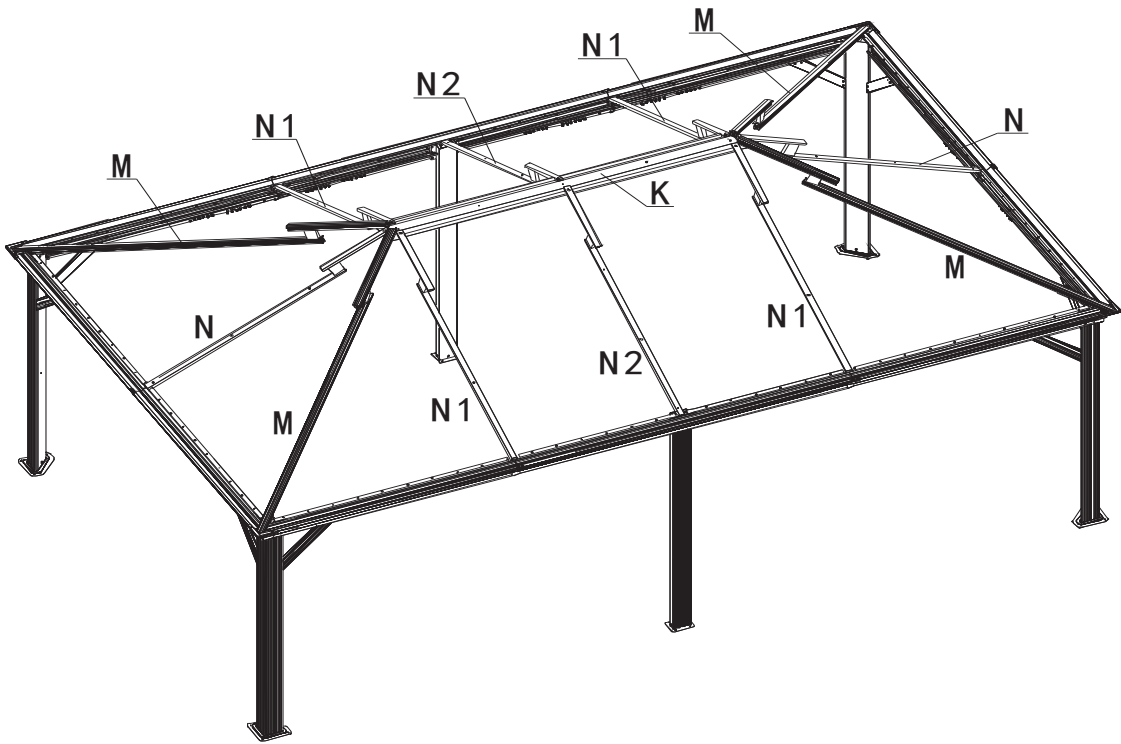
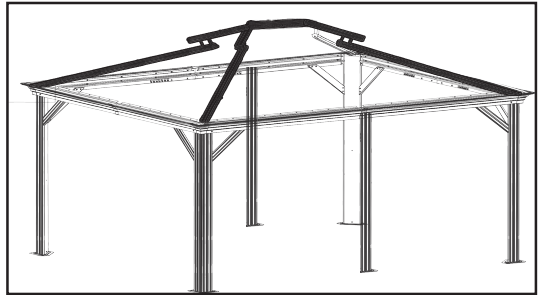
2



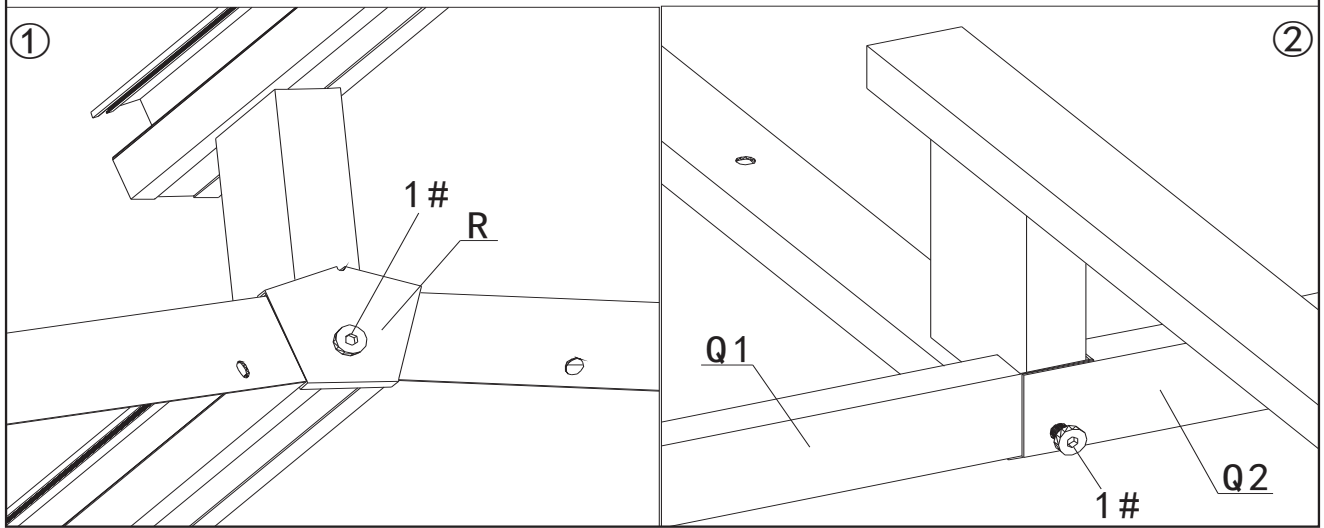
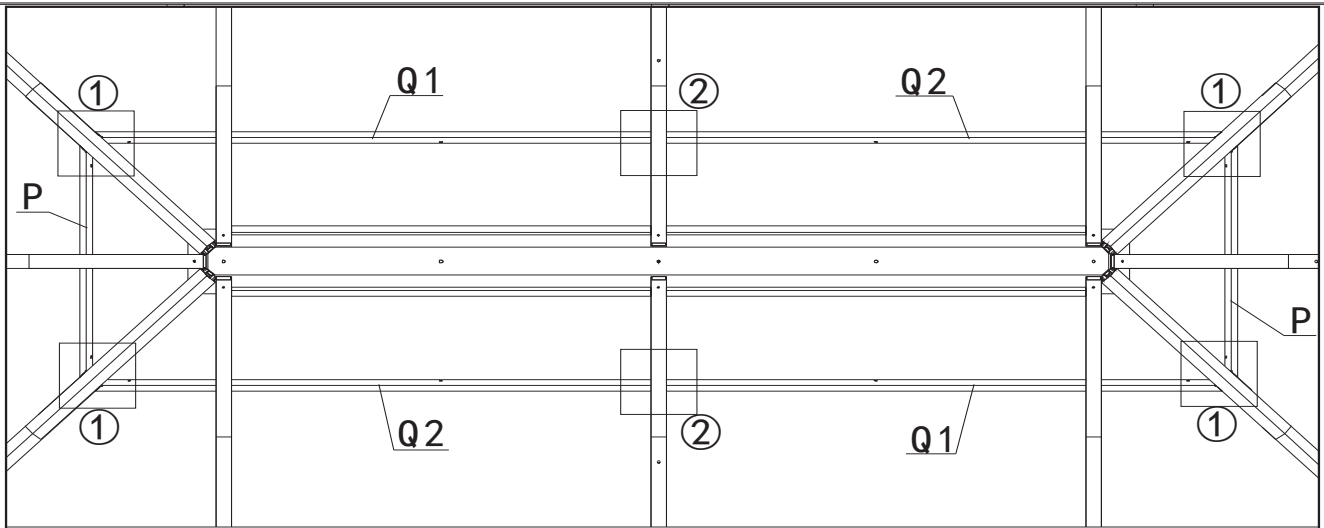
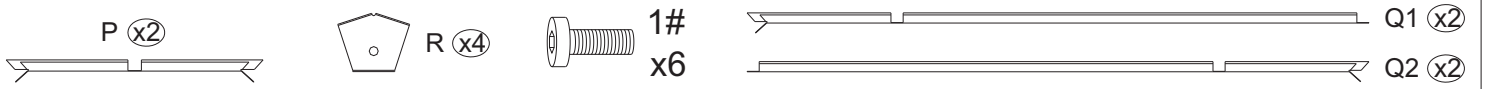
3



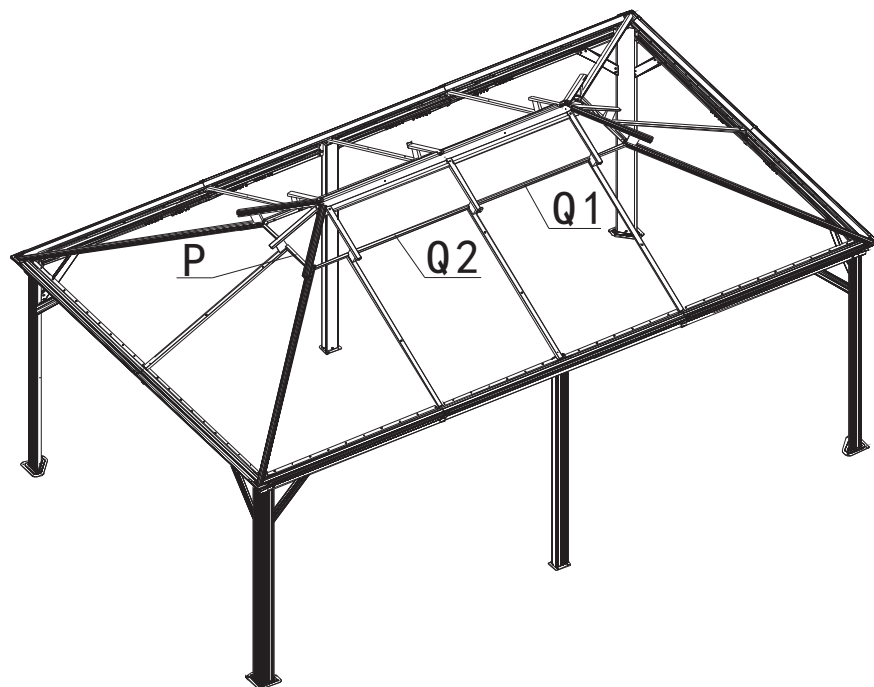
4

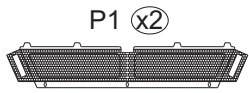


..



If the holes don't line up, push them hard so you can fasten the 1# bolt.

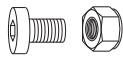




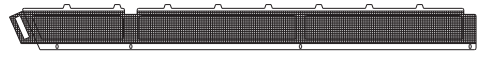
P1 x2



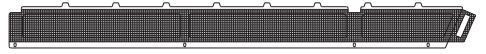
1#
x6



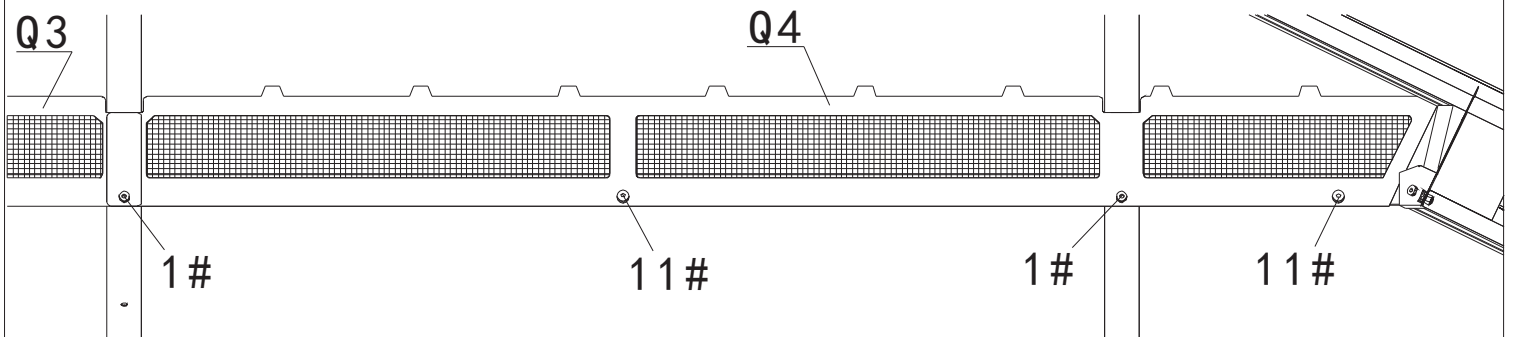
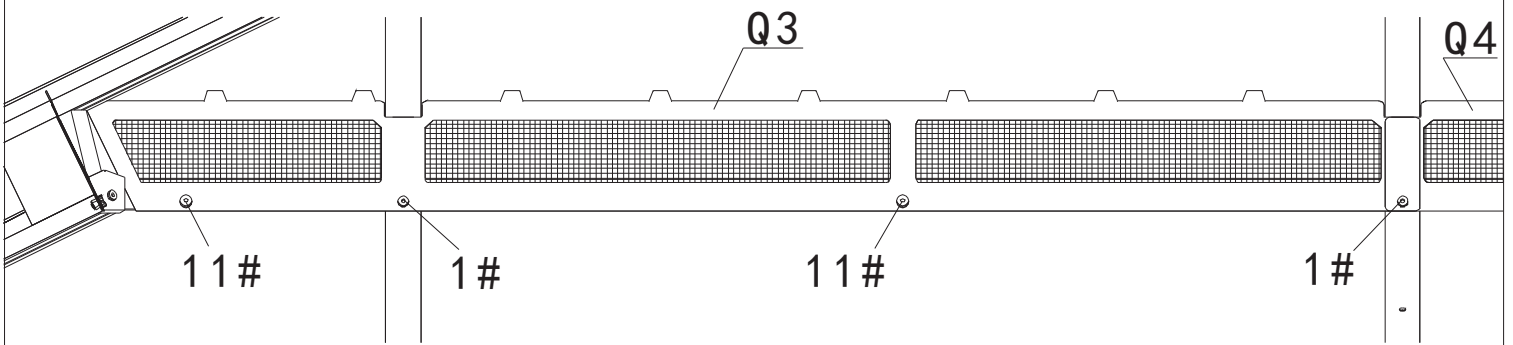
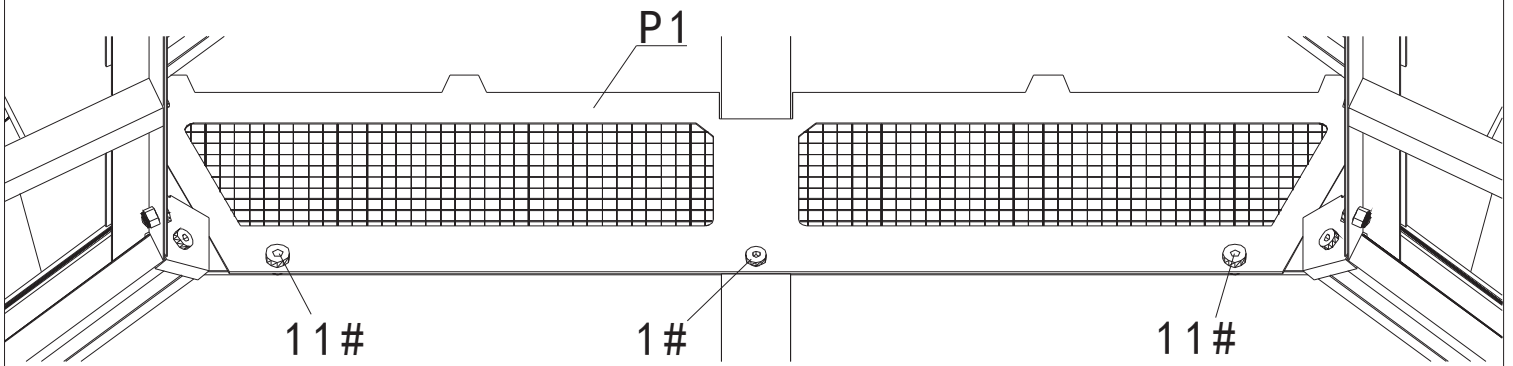
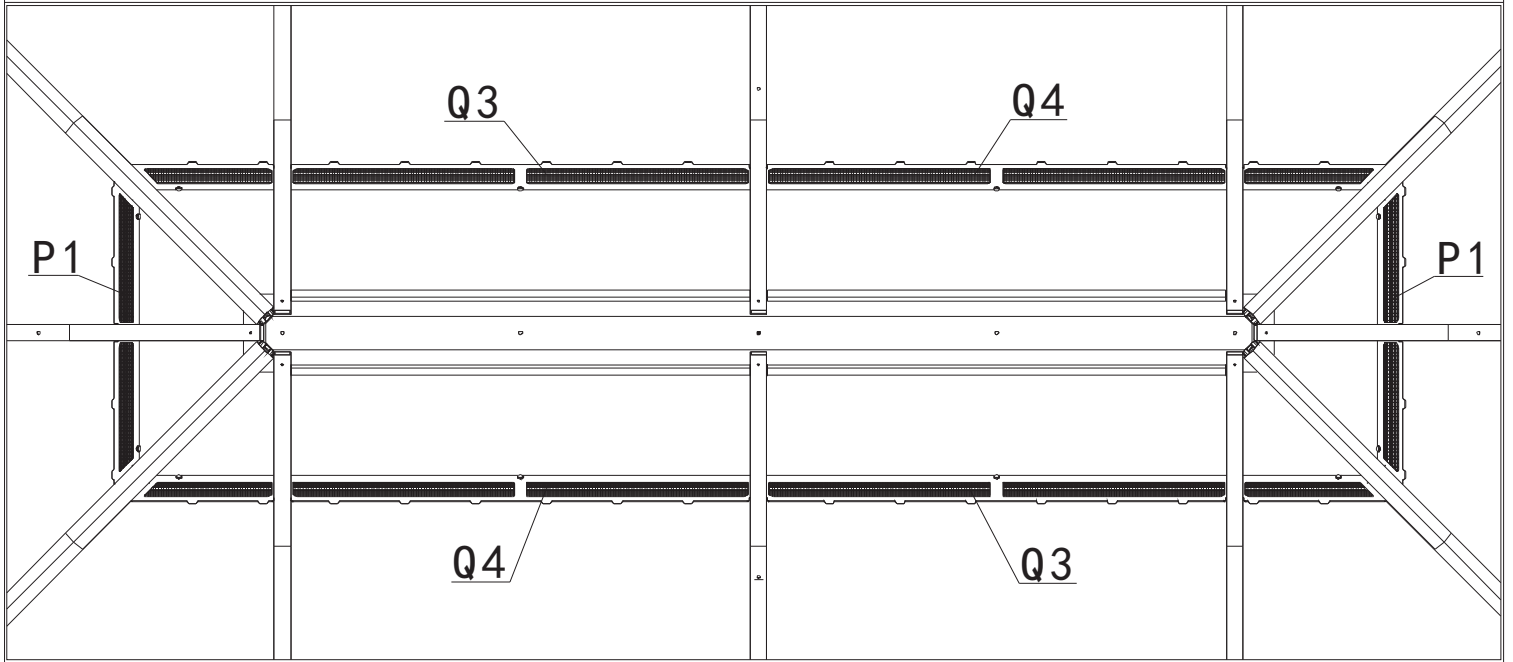
11#
x12

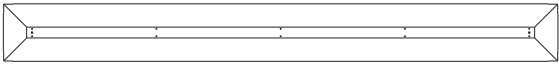


Q3 x2



Q4 x2

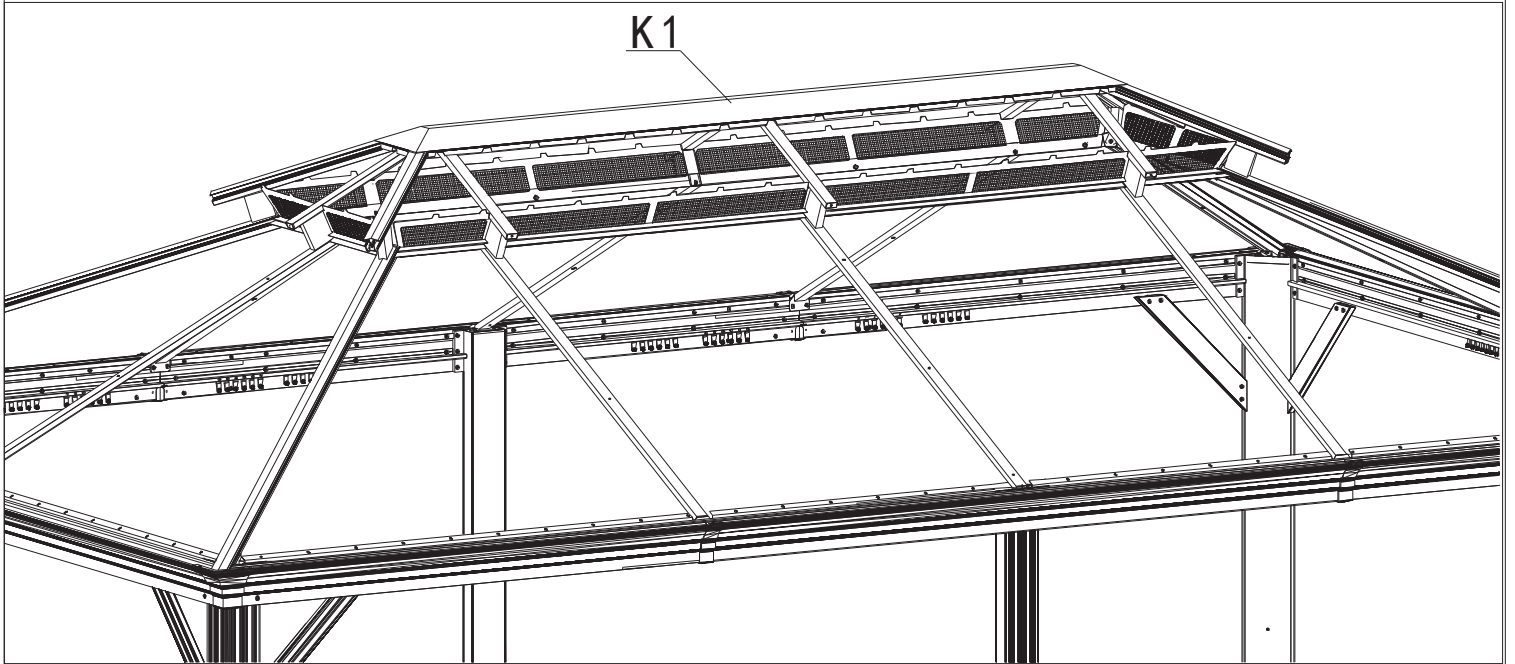
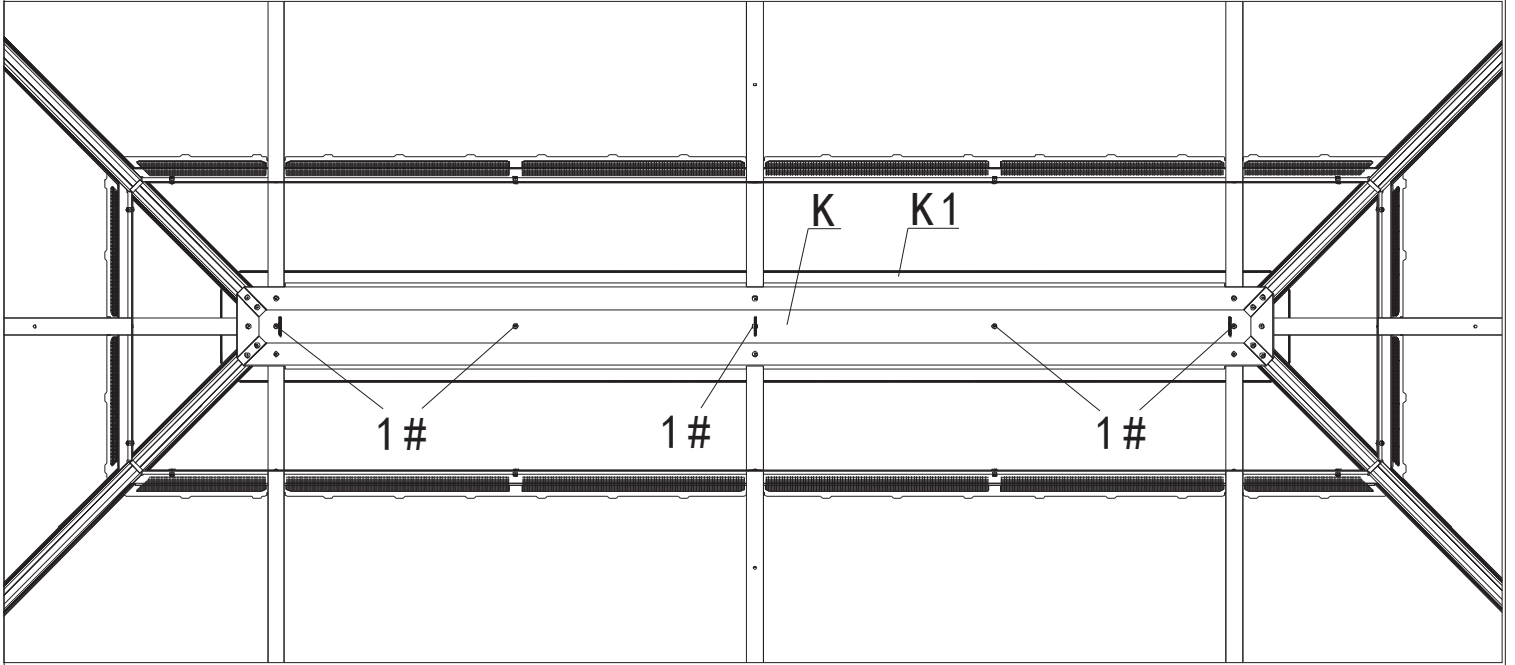


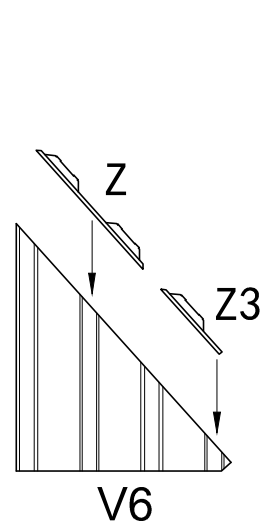
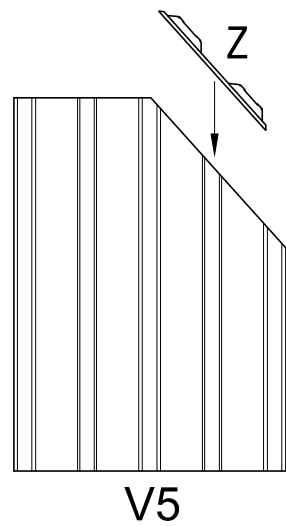
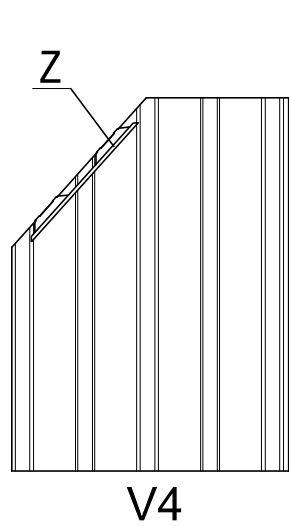
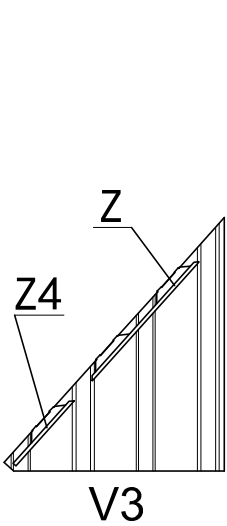
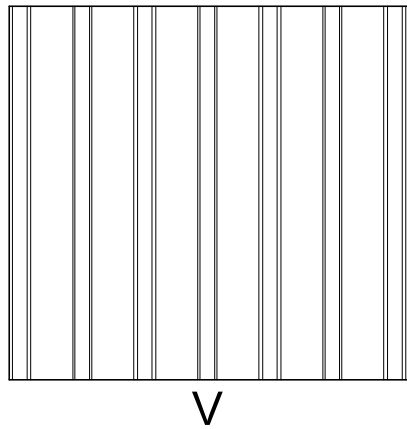
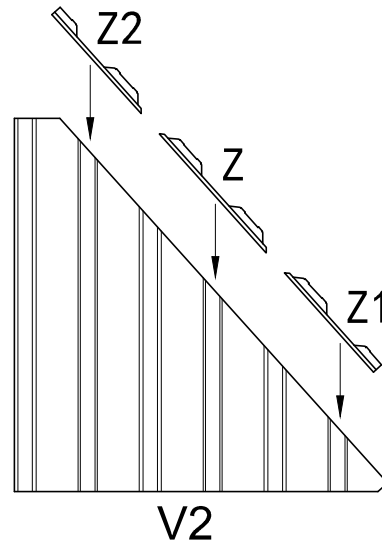
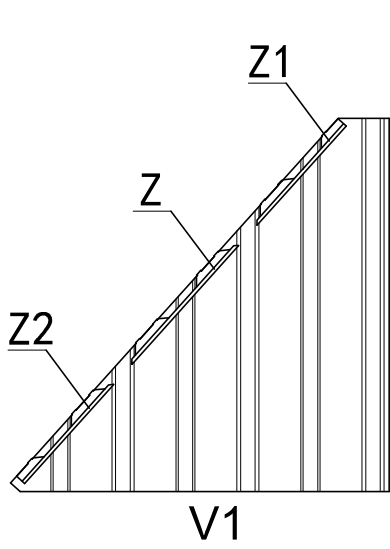
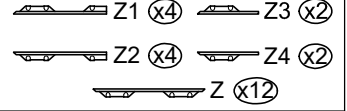
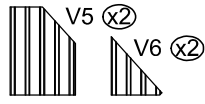
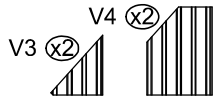
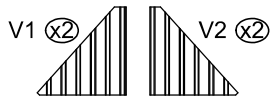


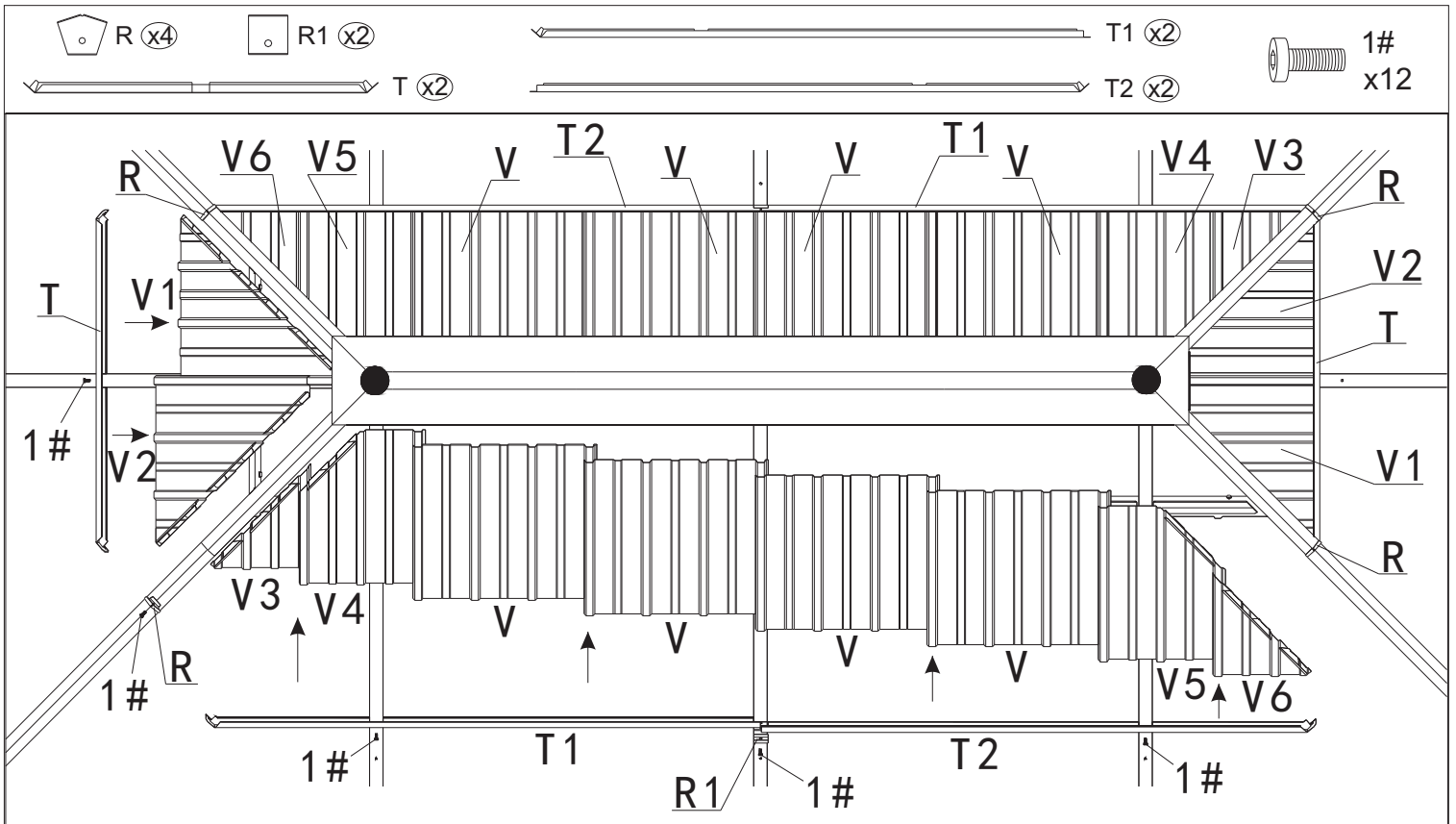
K1 x1



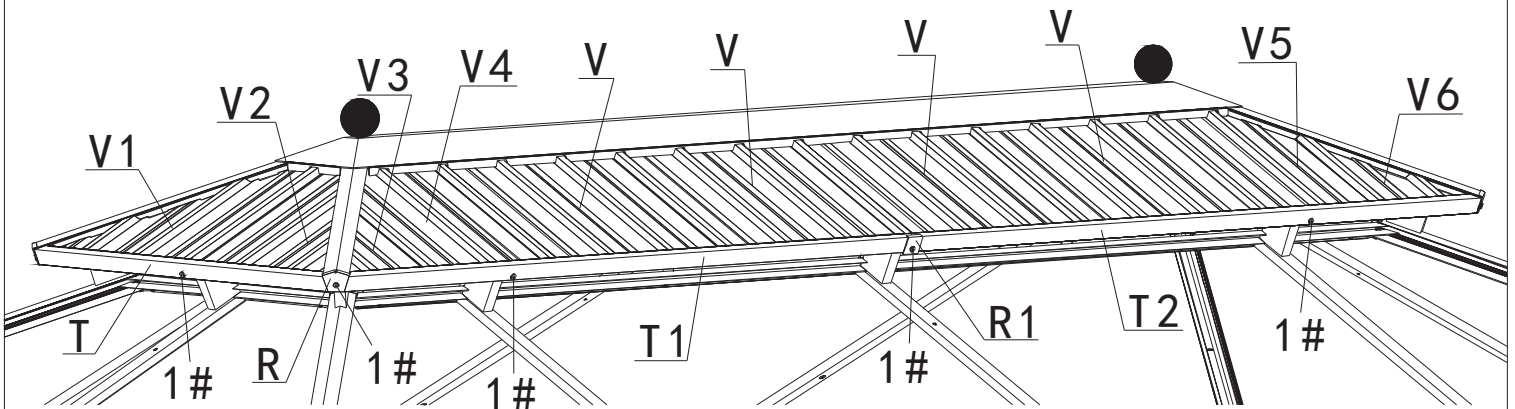
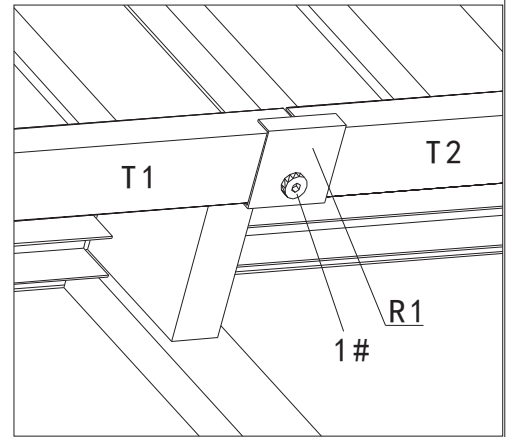
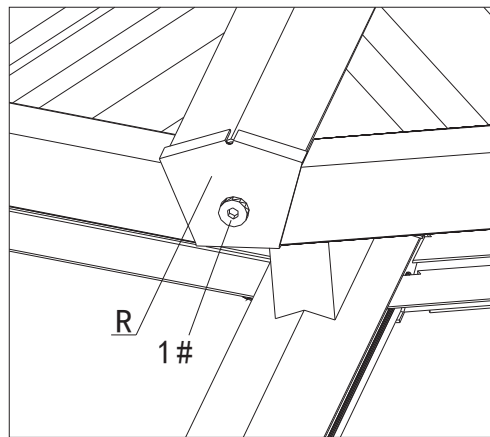
1#
x5

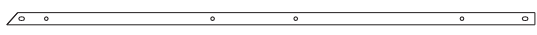




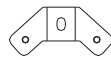


Attach T1 and T2 to the small top. Do not fully tighten 1# bolt at this step. Fully tighten it after the installation of V roofs.





U1 (x4)

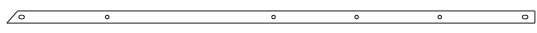


U3 (x4)

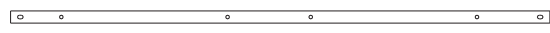


U4 (x8)

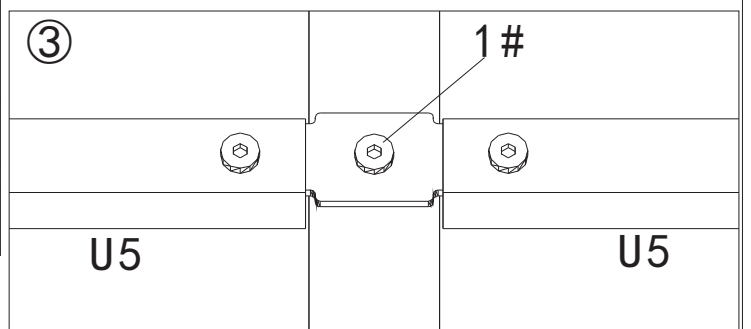
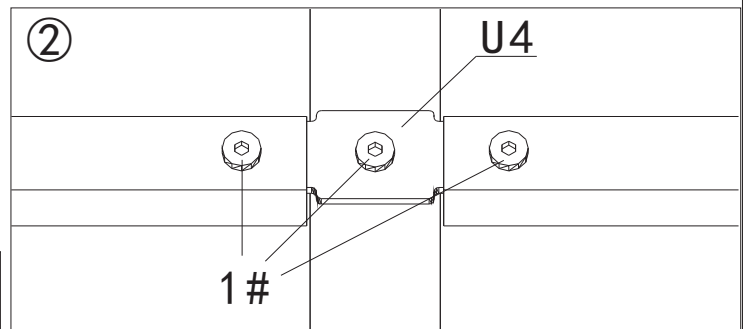
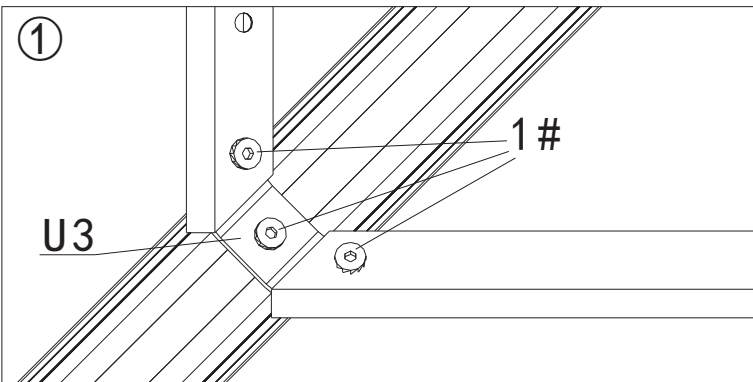
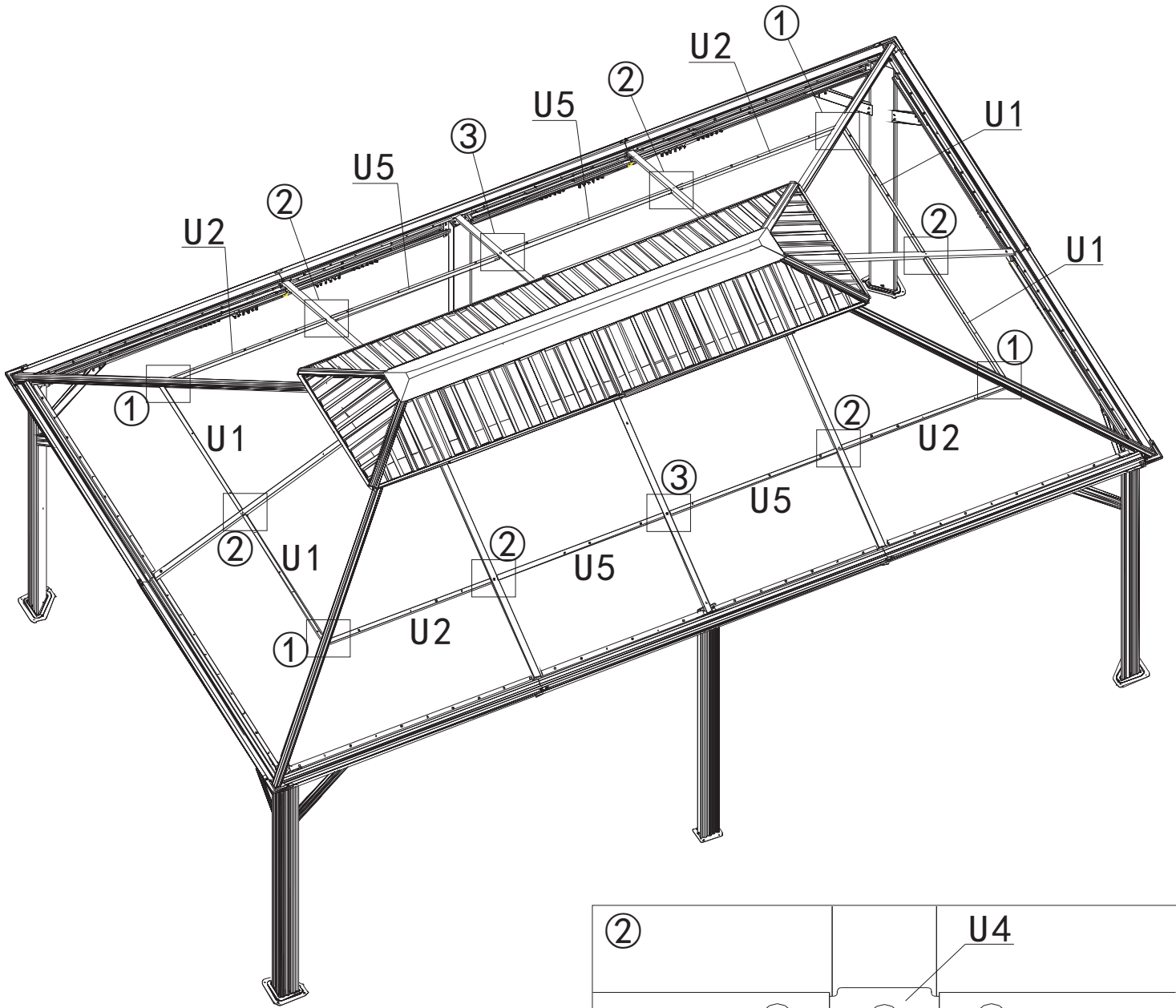
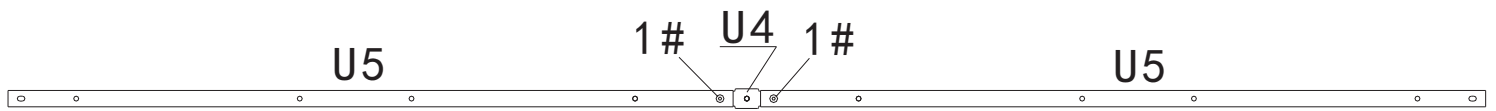
1# (x36)

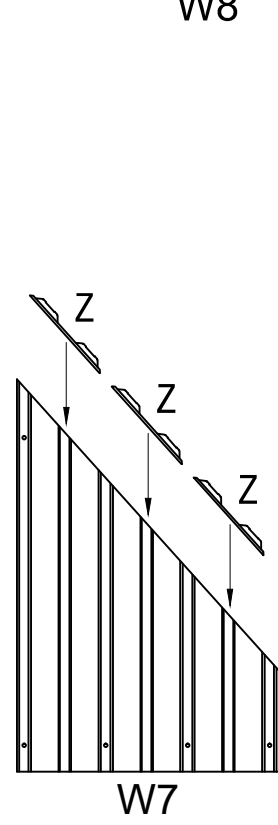
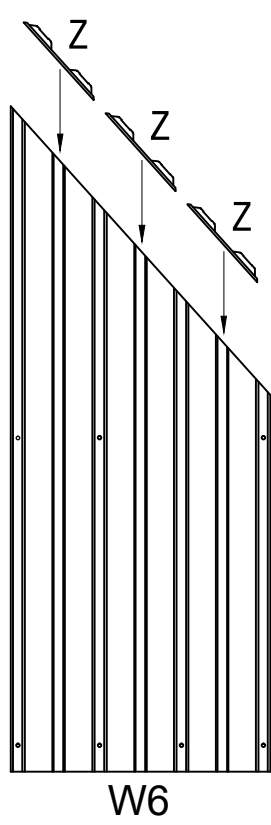
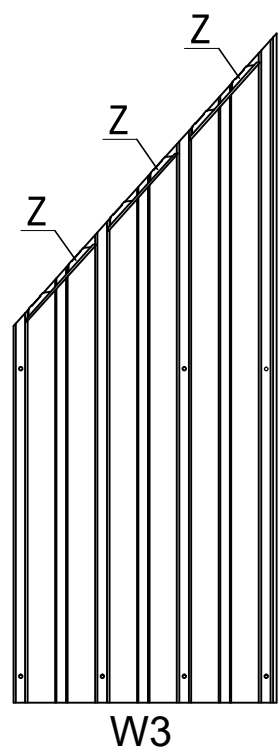
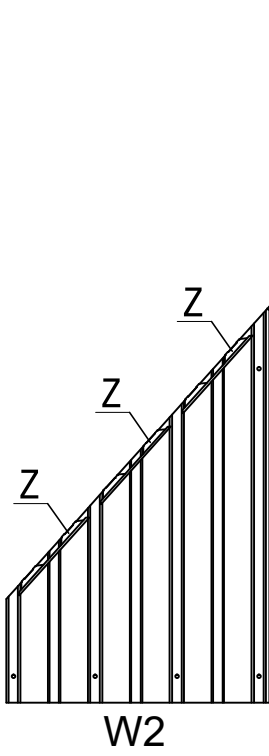
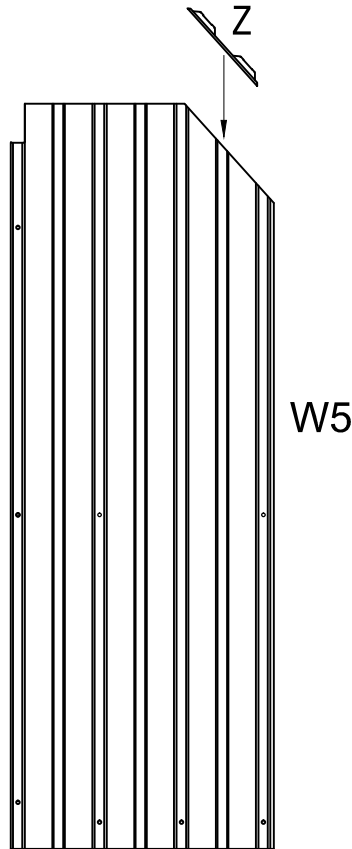
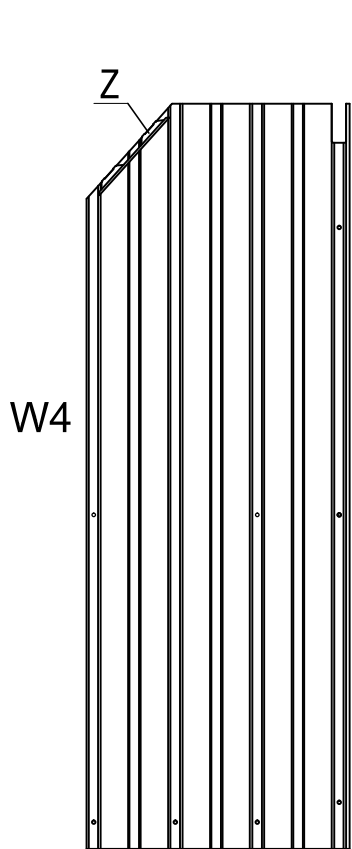
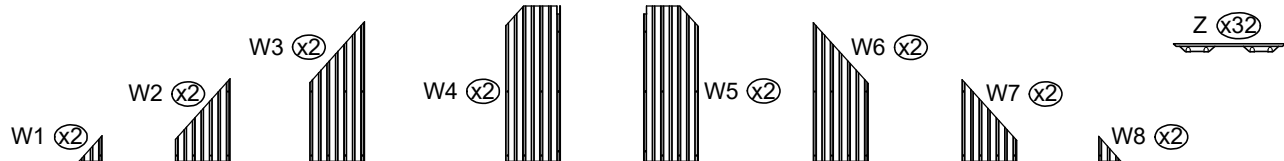


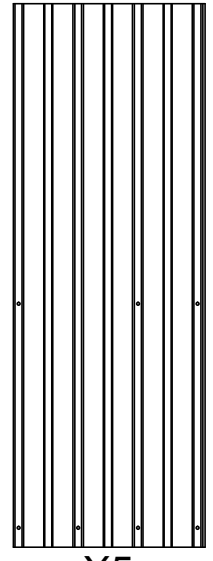
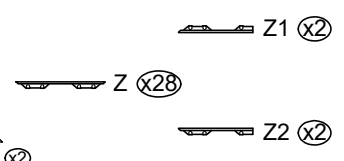
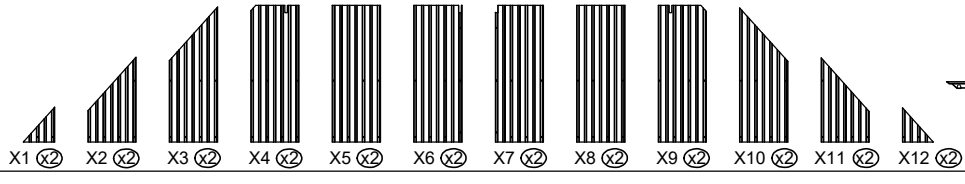
U2 (x4)



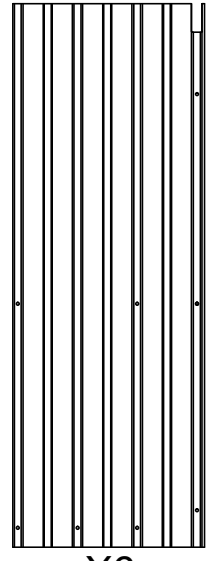
U5 (x4)



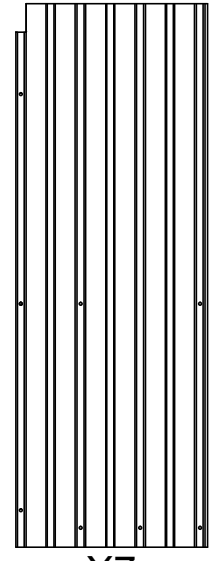




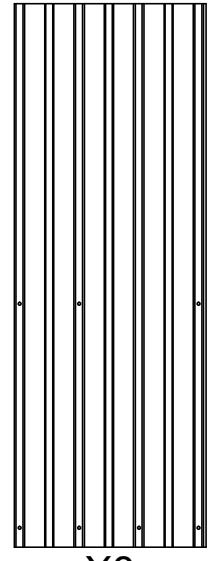
X5



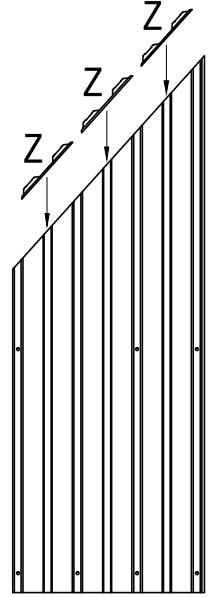
X6



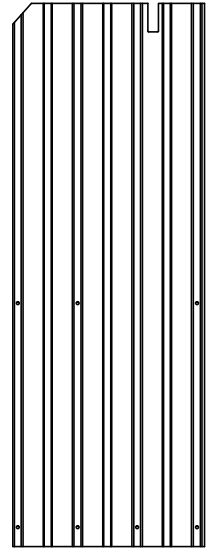
X7



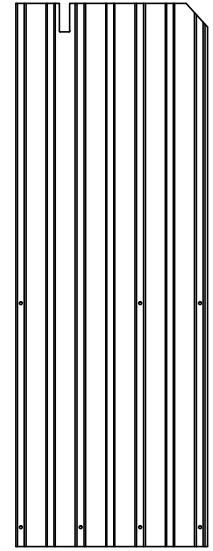
X8



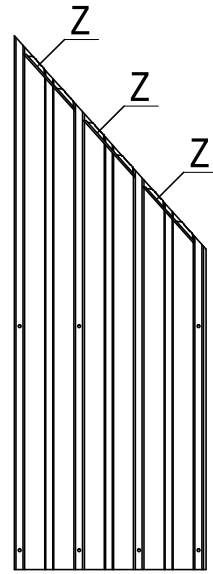
X3



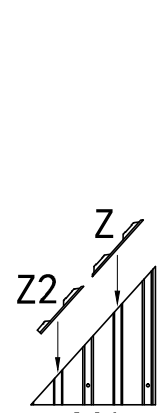
X4



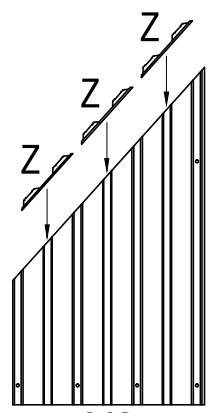
X9



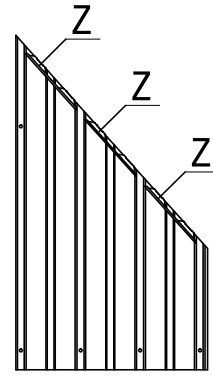
X10



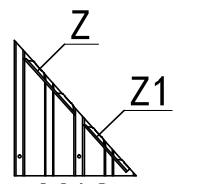
X1



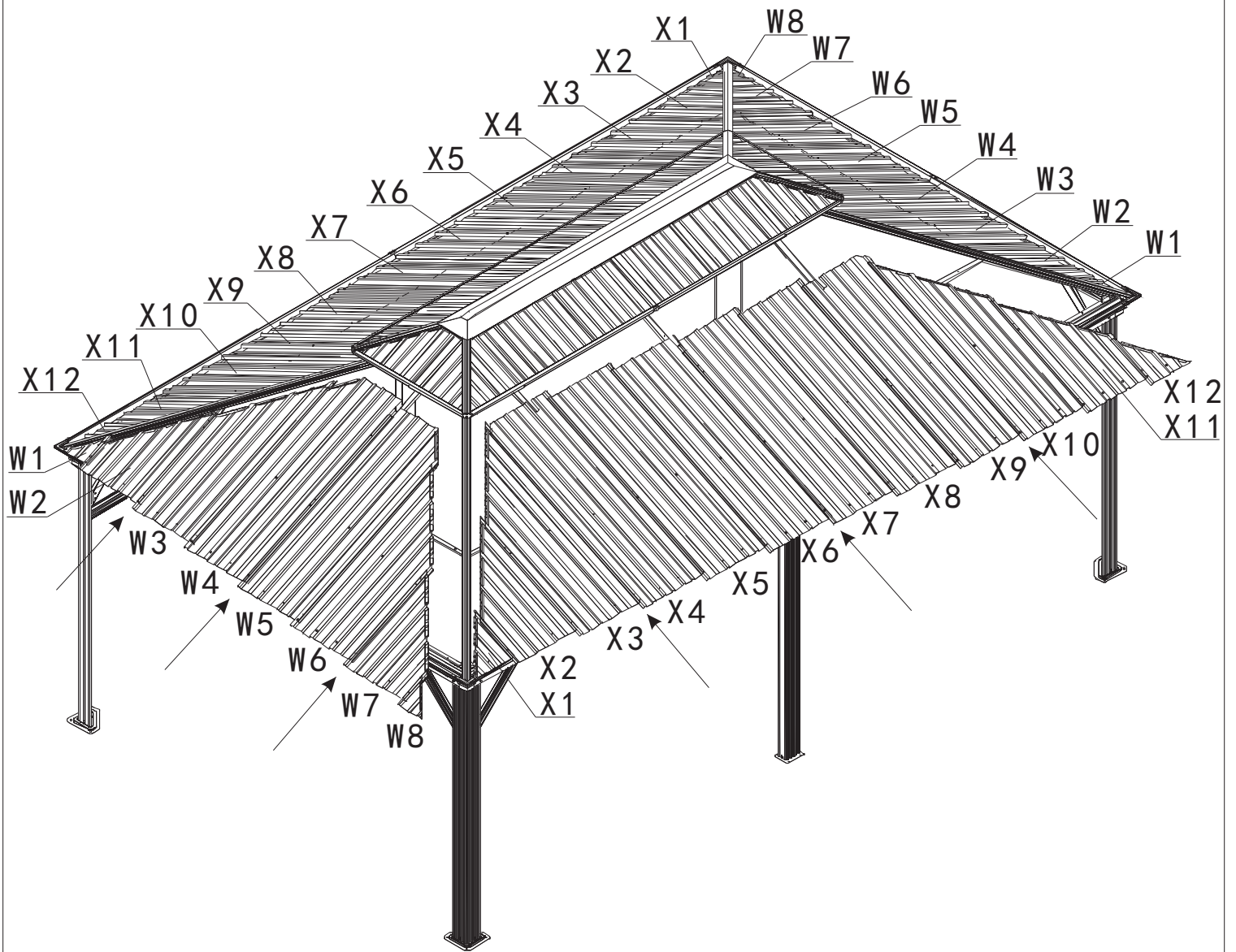
X2



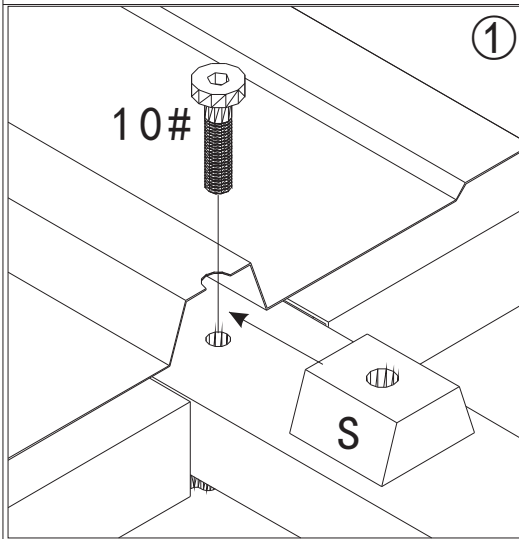
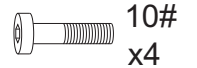
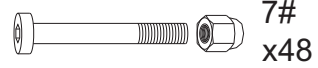
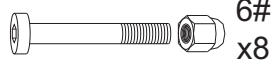
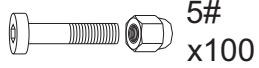
X11



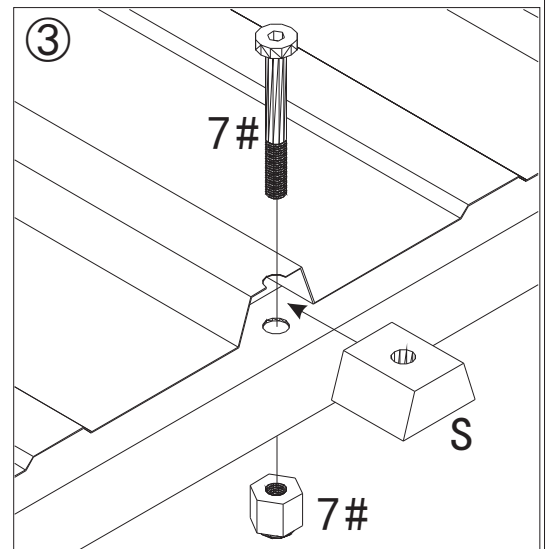
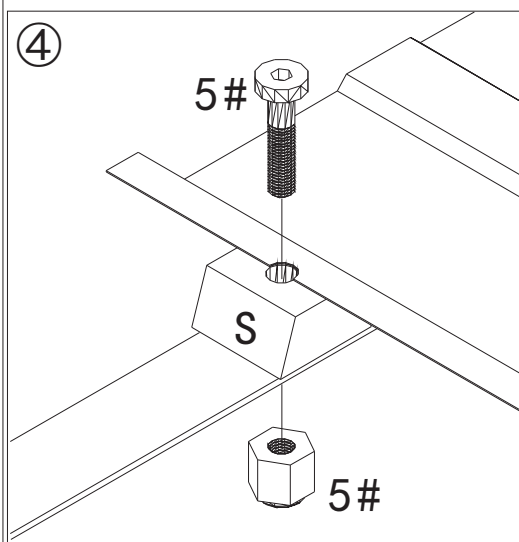
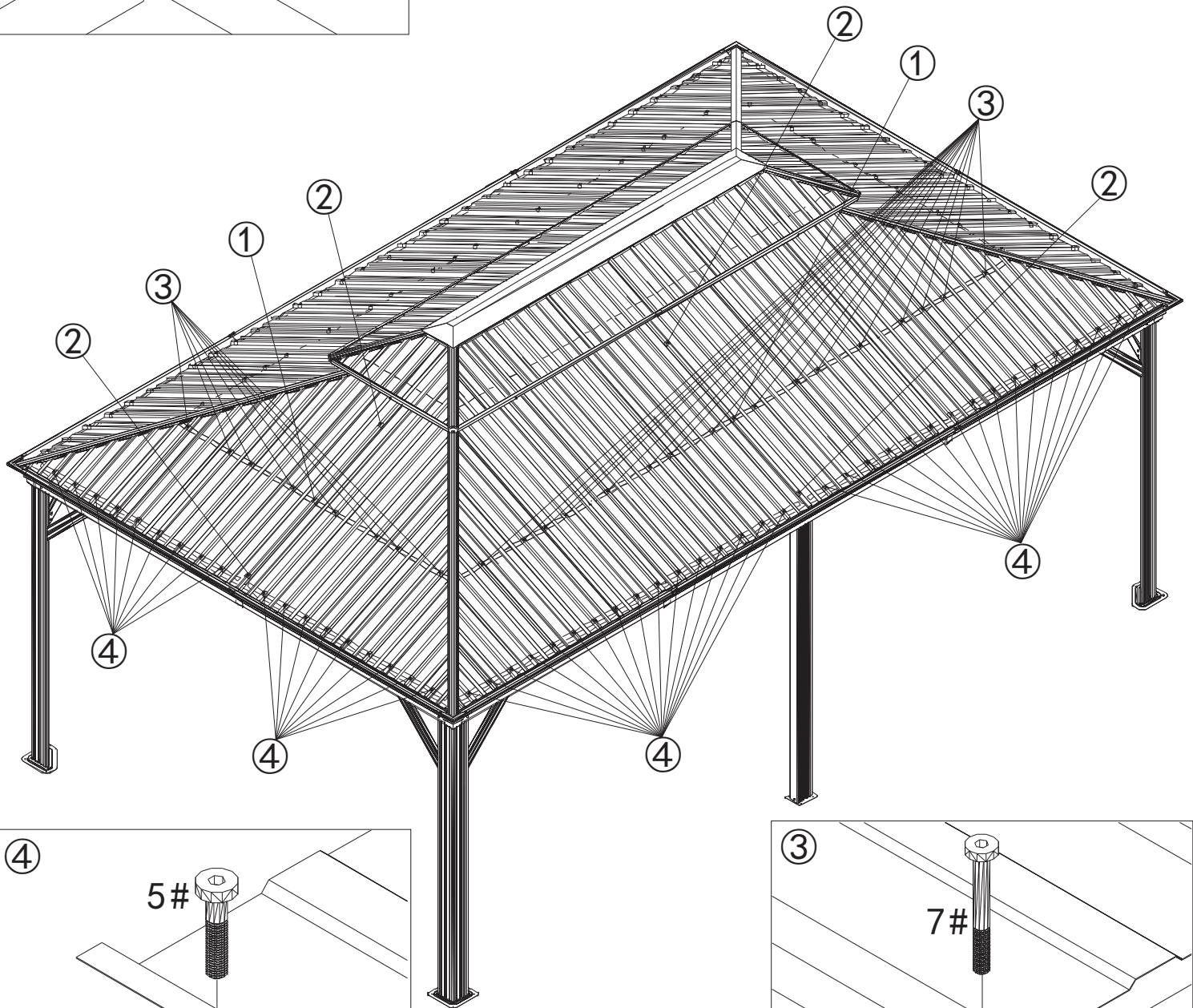
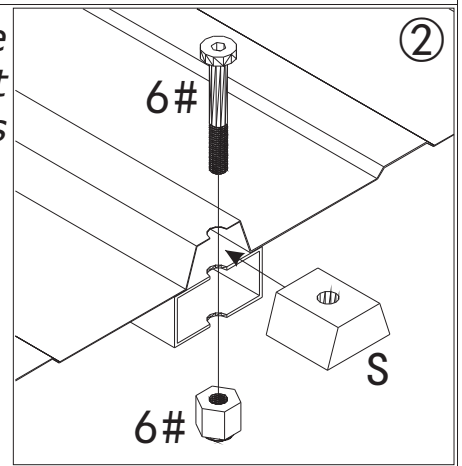
X12

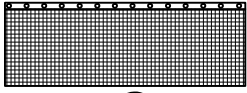


Install the center pieces (X4,X5,W4,W5) first, then install other pieces from the larger one to the smaller one.

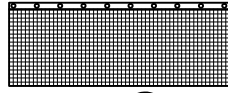


① Don't forget to insert the square strut washer (part S) before inserting the bolts (6#, 10#)

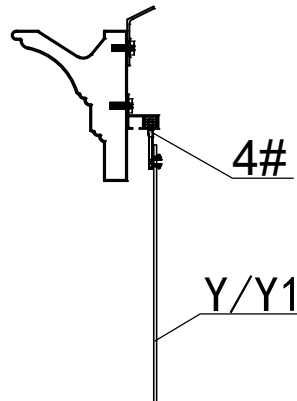
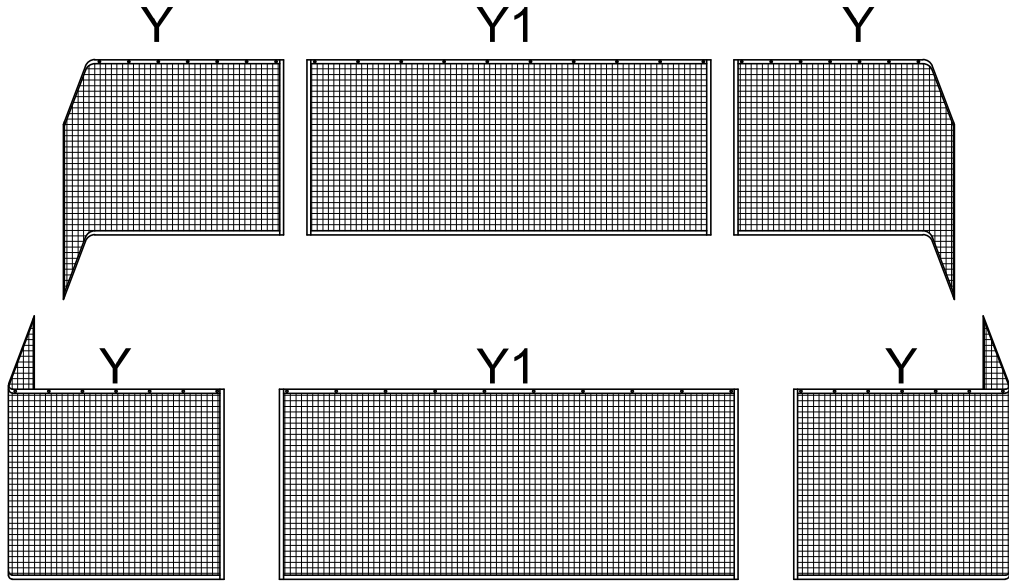
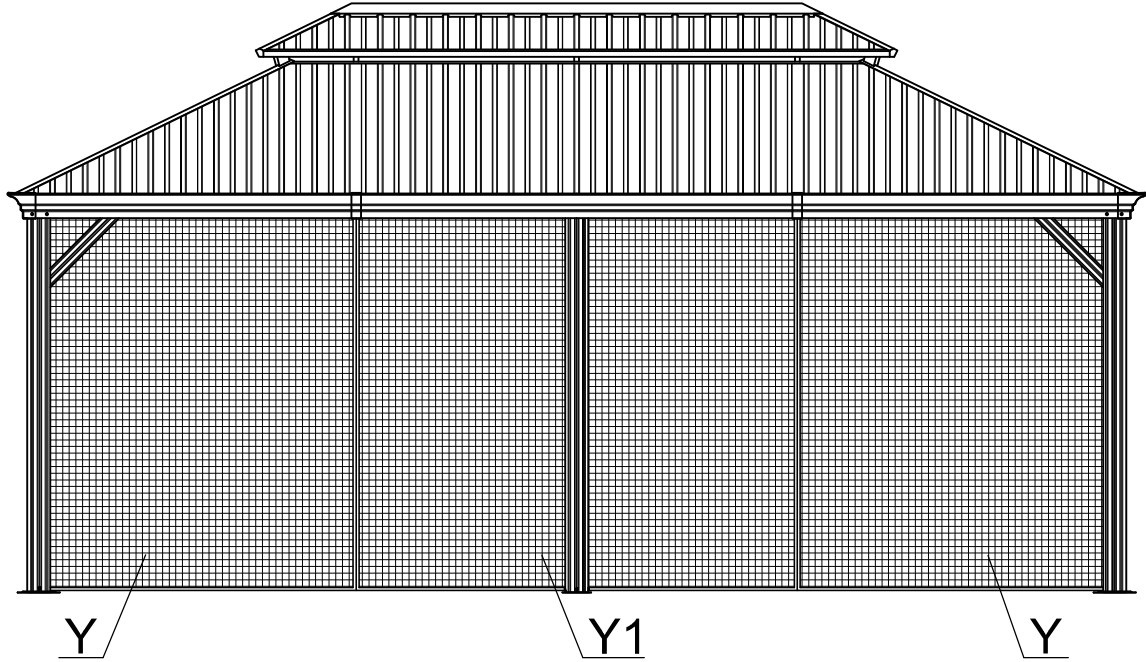




Y (x4)



Y1 (x2)



Care and Cleaning

Wash frame parts and fabric with mild soap and water, rinse thoroughly.

Dry frame completely and allow the fabric to drip dry.

Do not use bleach, acid, or other solvents on the fabric or frame parts.

Please inspect and tighten all bolts or fasteners on a regular basis to ensure proper performance and safety of your gazebo.

Warranty

Frames

Frames constructions are warranted to be free from defects in material and workmanship for 1 year from item purchased. Damage to frame from negligence won't be covered by this warranty.

Curtains & netting

Curtains and netting are warranted to be free from defects in material and workmanship for 1 year from item purchased. Damage from exposure to chemicals (including but not only oils ,spills, fluids) won't be covered by this warranty.

Bolts & nuts

Bolts and nuts are warranted to be free from defects in material and workmanship for 1 year from item purchased. Damage from exposure to chemicals (including not only oils ,spills, fluids) won't be covered by this warranty.

Warranty Limitation

This warranty is for the original purchase order only. (Order number required). This warranty is non-transferable. Purple Leaf is responsible for the free replacement part including shipping charges for the 1 year warranty.

Warranty Exclusion

This warranty does not cover products subject to negligence, abuse usage, inappropriate installation. Purple leaf reserves the right to explain warranty exclusions. When the replacement item is applied, the 1 year warranty automatically expires. Please feel free to contact us for applying warranty.

SUPPORT

www.purpleleafgarden.com

gazebo@purpleleafgarden.com

SOCIAL MEDIA

Follow us on Instagram and Facebook

 www.purpleleafgarden.com/ins

 www.purpleleafgarden.com/fb

Upload a picture of your PURPLE LEAF product in your home, with the hashtag **#PURPLE LEAF** to receive \$20 PURPLE LEAF Gift Card.



Purple Leaf Inc.

*1820 E Locust St, Ontario
CA, 91761, US*

*©Copyright 2016-2020 Purple Leaf Inc.
All Rights Reserved*