



# ALLURE

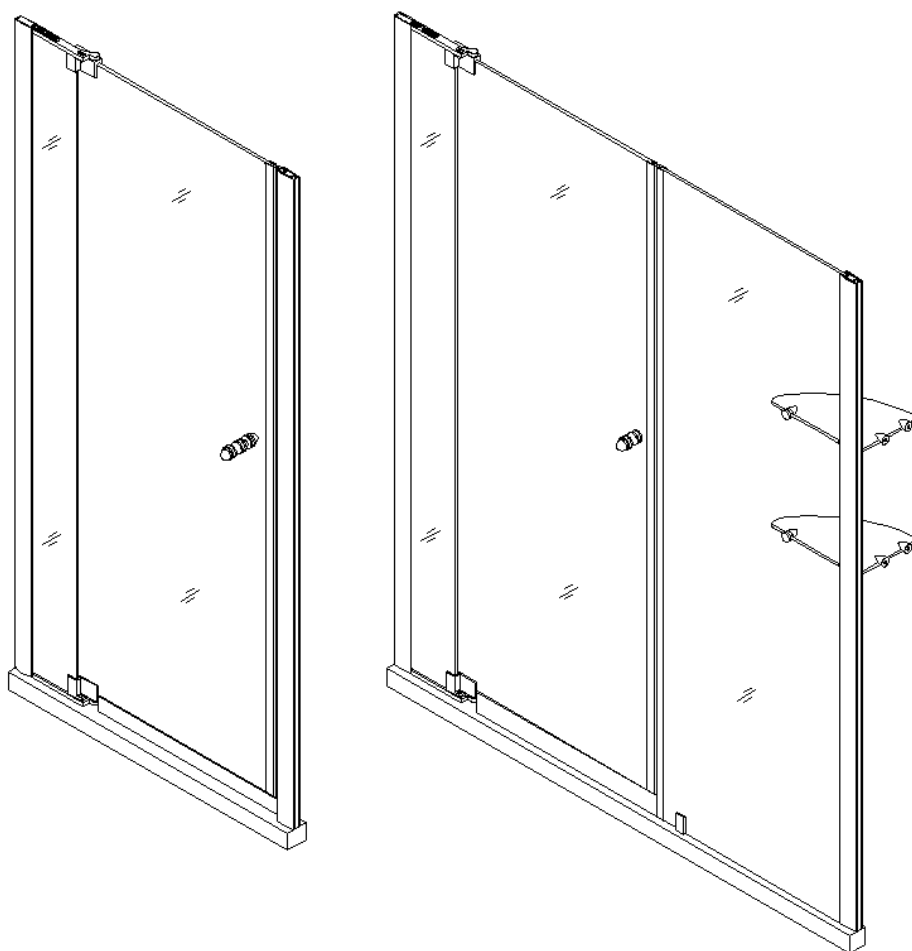
## SHOWER DOOR INSTALLATION INSTRUCTIONS

### IMPORTANT

DreamLine® reserves the right to alter, modify or redesign products at any time without prior notice. For the latest up-to-date technical drawings, manuals, warranty information or additional details please refer to your model's web page on [DreamLine.com](http://DreamLine.com)

#### Model #s

SHDR-4230728-01  
SHDR-4231728-01  
SHDR-4232728-01  
SHDR-4233728-01  
SHDR-4234728-01  
SHDR-4235728-01  
SHDR-4236728-01  
SHDR-4237728-01  
SHDR-4238728-01  
SHDR-4239728-01  
SHDR-4240728-01  
SHDR-4241728-01  
SHDR-4242728-01  
SHDR-4243728-01  
SHDR-4244728-01  
SHDR-4245728-01  
SHDR-4246728-01  
SHDR-4247728-01  
SHDR-4248728-01  
SHDR-4249728-01  
SHDR-4250728-01  
SHDR-4251728-01  
SHDR-4252728-01  
SHDR-4253728-01  
SHDR-4254728-01  
SHDR-4255728-01  
SHDR-4256728-01  
SHDR-4257728-01  
SHDR-4258728-01  
SHDR-4259728-01  
SHDR-4260728-01  
SHDR-4261728-01  
SHDR-4262728-01  
SHDR-4263728-01  
SHDR-4264728-01  
SHDR-4265728-01  
SHDR-4266728-01



*Left hand swing installation shown*

Please read these instructions carefully before installing. If you have any questions regarding installation, please contact our technical support specialists Monday through Friday 8:00 AM – 7:00 PM EST at Phone: [1-866-731-2244](tel:1-866-731-2244), Fax: [1-866-857-3638](tel:1-866-857-3638) or e-mail our technical support group at [Support@DreamLine.com](mailto:Support@DreamLine.com)

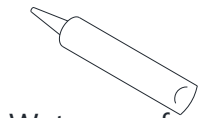
For more information about DreamLine® products please visit [DreamLine.com](http://DreamLine.com)

## **Preparation**

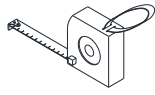
1. Prior to installation, examine all boxes and packages for shipping damage and compare the piece count with your packing slip. After opening all boxes and packages read this introduction carefully. Check that all of the needed parts are included in the package by checking off the components on the "Detailed Diagram of Shower Door Components". If the unit has been damaged, has a finishing defect, or has missing parts, please contact our customer support department within **3 business days** of the delivery date. Please note that **DreamLine® will not replace any damaged products or missing parts free of charge after 3 business days or if the product has been installed.** Feel free to contact DreamLine® if you have any questions and please provide an order number, job name or other proof of purchase to help us identify your original order.
2. If this unit is going to be installed in a new construction, install all of the required plumbing and drainage before installing the shower. **Use a competent and licensed (if required by local code) plumber for all plumbing installation.**
3. **Please note that you should consult your local building codes with questions about installation compliance standards. Building and plumbing codes may vary by location, and DreamLine® is not responsible for code compliance standards for your project and will not accept any returns.**
4. Please make sure that prior to beginning the installation, the surfaces are leveled and solid and will be able to support the total weight of the unit. Also make sure the walls are at right angles. Irregular installation surface level, radius corners or improper angle of side walls will result in serious problems for your installation. Please note that some adjustments and drilling may be necessary during the installation process.
5. Please protect all primary surfaces of the product during installation. Never set your glass down directly onto a tile floor. Leave corner protectors in place until necessary to remove them. Always use a piece of wood or cardboard to protect the bottom edge and corners of the glass prior to and during installation.
6. This unit must be installed upon a finished threshold and against finished walls.
7. This model has **7" of total adjustment within the model size:** 1" overall width or out-of-plumb adjustment using the strike-side wall profile and 6" of overall width adjustment using the door pivot hardware. The pivot side wall profile should only be adjusted for out-of-plumb conditions and not for overall width.
8. a) If the width of the opening is less than **37<sup>3</sup>/<sub>4</sub>"** and you are installing the door only (without the stationary glass), refer to **(Diagram A)** with **(Packing List A)**.  
b) If the width of the opening is greater than **37<sup>1</sup>/<sub>4</sub>"**, and you are installing the door and stationary glass with glass shelves, use **(Diagram A and B)** with **(Packing List A and B)** to complete the installation.
9. **This model requires a minimum 2-1/4" of flat threshold space for installation.**
10. **Professional installation is recommended** for this heavy glass frameless shower door.

**NOTE:** The installation of this model requires that you drill down into the threshold (see step# 8).

### **Tools Required**



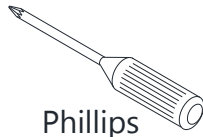
Waterproof  
Silicone



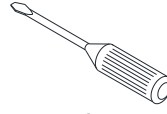
Tape  
Measure



Pencil



Phillips  
Screwdriver



Flat  
Screwdriver



Drill bit  
(Ø=5/16")



Drill bit  
(Ø=1/8")



Level



Caulking  
Gun



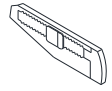
Electric  
Drill



Hammer



Mallet



Knife

## Detailed Diagrams of Shower Door Components

Diagram A

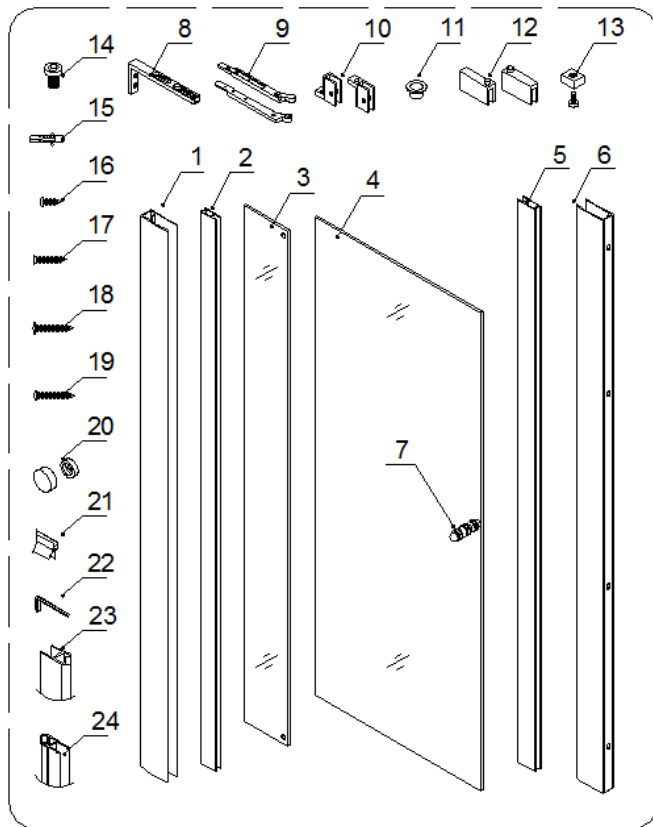
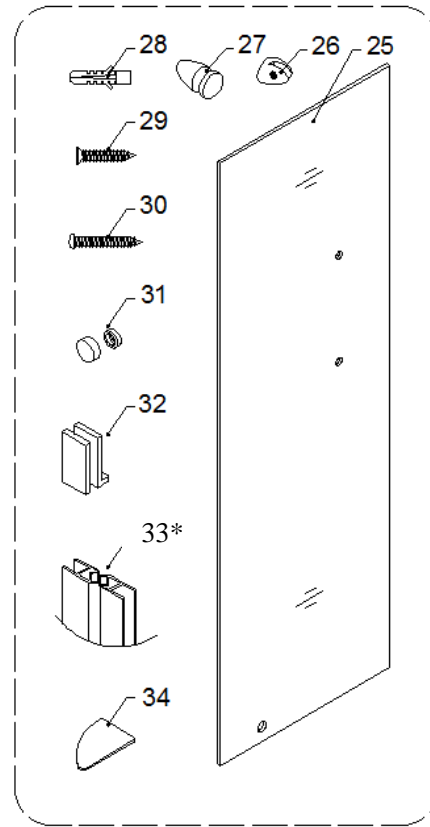


Diagram B



### Packing List A

01	Wall profile for small stationary glass	1pc	13	Fixing nut with M4×12 screw	1set
02	Glass profile for small stationary glass	1pc	14	Socket head screw M6×6	2pcs
03	Small stationary glass	1pc	15	Wall anchor	12pcs
04	Glass door	1pc	16	Round head screw ST4.2×10	8pcs
05	Glass profile	1pc	17	Flat head screw ST4.2×25	2pcs
06	Wall profile	1pc	18	Round head screw ST4.2×40	12pcs
07	Handle	1pair	19	Round head screw ST4.2×25	1pc
08	Pivot retainer	2pcs	20	Decorative cover and washer	8pcs
09	Pivot bracket (top and bottom)	1pair	21	Bottom anti-water strip	1pc
10	Glass fixer (top and bottom)	1pair	22	Hex wrench	1pc
11	Washer	2pcs	23	Magnetic strip on door	1pc
12	Pivot assembly (upper and lower)	1pair	24	Magnetic strip on jamb	1pc

### Packing List B (Only for door with stationary glass)

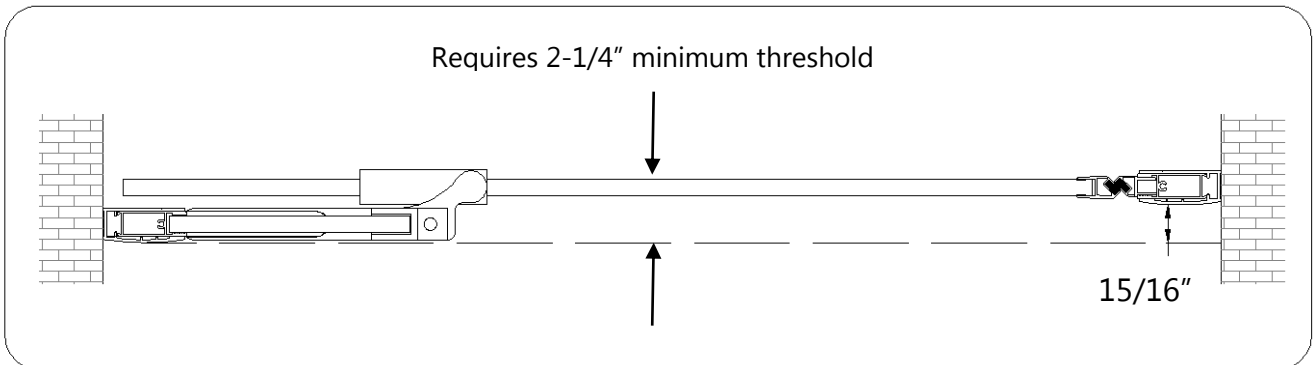
25	Stationary glass	1pc	30	Round head screw ST4.2×25	1pc
26	Shelf bracket (without nut)	4pcs	31	Decorative cover and washer	1pc
27	Shelf bracket (with nut)	2pcs	32	Bottom Bracket	1pc
28	Wall anchor	4pcs	33*	Magnetic strip (*packaged w/door glass)	1pair
29	Flat head screw ST4.2×40	4pcs	34	Glass shelf	2pcs

**NOTE:** Unpack your unit carefully and inspect it. Identify all parts using the detailed diagram and packing list in this manual as a reference. Before discarding the carton, check for small hardware bags that may have fallen to the bottom of the box. If any parts are damaged or missing, please contact DreamLine® for replacement. Depending on the model configuration, there may be additional water strips not used in your installation.

**NOTE:** Retain these installation instructions for future reference.

## Shower Door Top View Diagram

Top view of left hand single swing door installation



**NOTE:** The strike side wall profile (or panel glass) is offset into the shower from the pivot side by 15/16"

## Shower Door Installation

1. Place the **Wall profile for small stationary glass (01)** on the threshold vertically and align against the finished wall. Adjust the **Wall profile for small stationary glass (01)** position and level it. Mark the drilling holes on the wall through the predrilled holes in the **Wall profile for small stationary glass (01)**. Now drill the holes in the wall using  $\text{Ø}5/16''$  drill bit and insert the **Wall anchors (15)**.

See Fig. 1 for details

**NOTE:** This manual illustrates a left handed swing installation as an example throughout. To install the door to the right, simply reverse the installation process beginning with step#1, installing the door side wall profile on the right side of the opening.

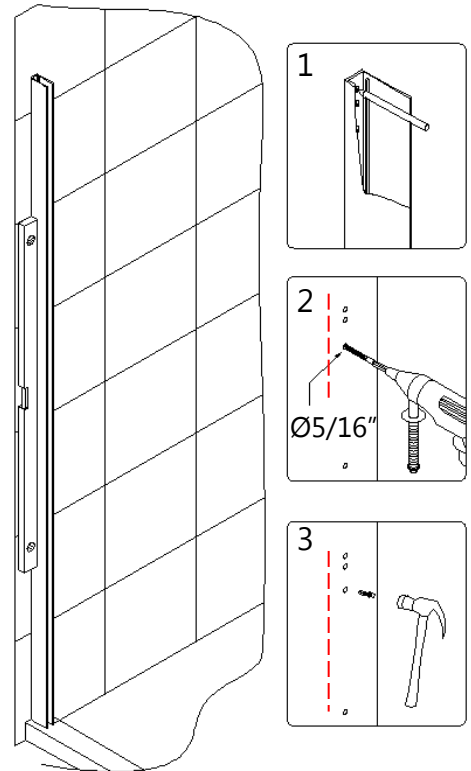


Fig. 1

2. Push the **Pivot retainer (08)** into both ends of the **Wall profile for small stationary glass (01)**.

See Fig. 2 for details

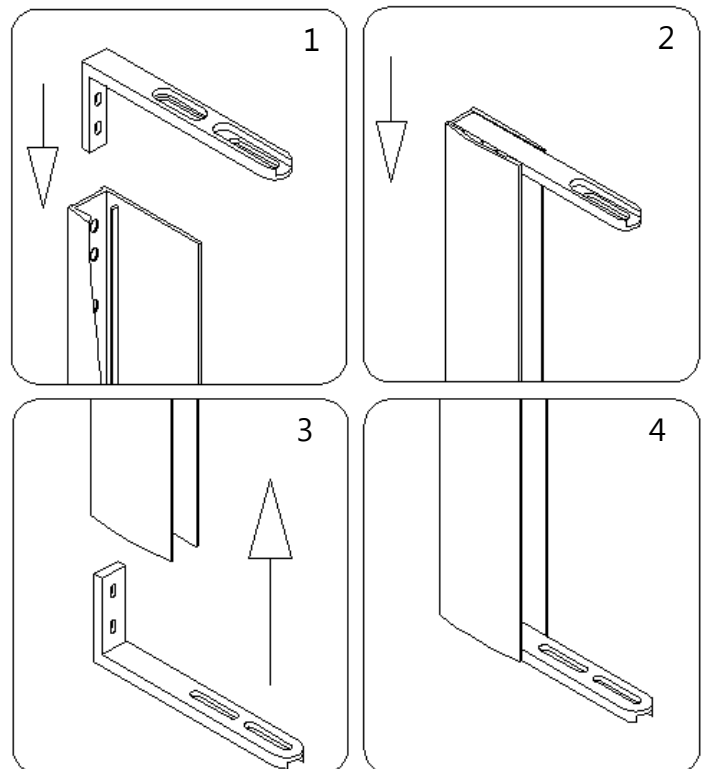


Fig. 2

3. Apply silicone along the **Wall profile for small stationary glass (01)** and around the holes.  
Fasten the **Wall profile for small stationary glass (01)** and **Pivot retainer (08)** to the wall with the **Round head screws ST4.2×40 (18)**.

See Fig. 3 for details

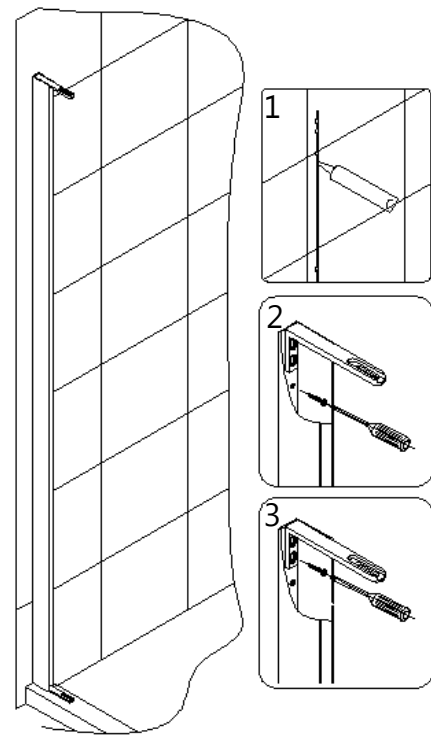


Fig. 3

4. Apply clear silicone along the inner channel of the **Glass profile for small stationary glass (02)** and push the **Small stationary glass (03)** inside the channel.

**NOTE:** The **Small stationary glass (03)** has a hole in one corner for the bottom bracket. This hole should be at the bottom and opposite of the glass profile.

**NOTE:** If you have difficulty sliding the Glass profile over the Stationary glass, you can slightly tap on the Glass profile with a rubber mallet and a piece of wood. Please do not strike directly on the profile or on the edge of the glass panel.

See Fig. 4 for details

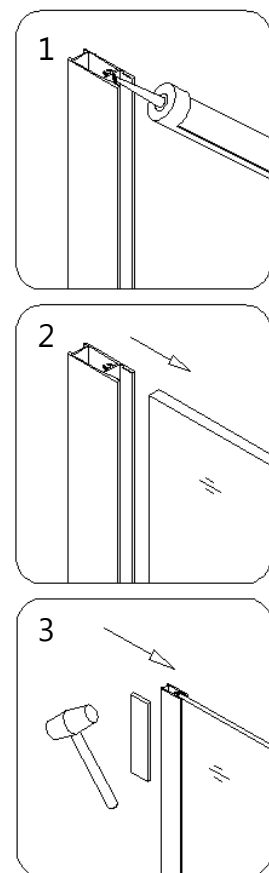


Fig. 4

- Attach the **Pivot brackets (09)** to the top and the bottom end of the assembled **Small stationary glass (03)** and the **Glass profile for small stationary glass (02)** with the **Flat head screws ST4.2×25 (17)**.

See Fig. 5 for details

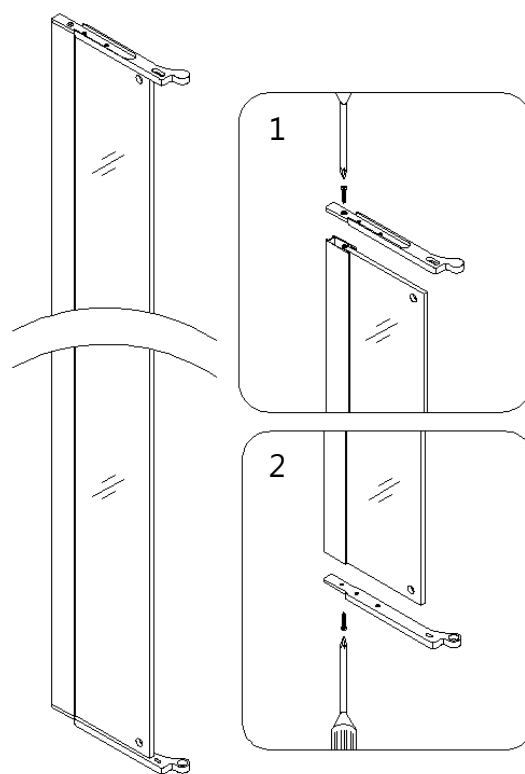


Fig. 5

- Assemble the **Glass fixer (10)** to the top and the bottom hole at the **Small stationary glass (03)**. Fasten the top **Glass fixer (10)** to the top **Pivot bracket (09)** using the **Fixing nut with M4×12 screw (13)** and cover the screw location with the **decorative cap**.

See Fig. 6 for details

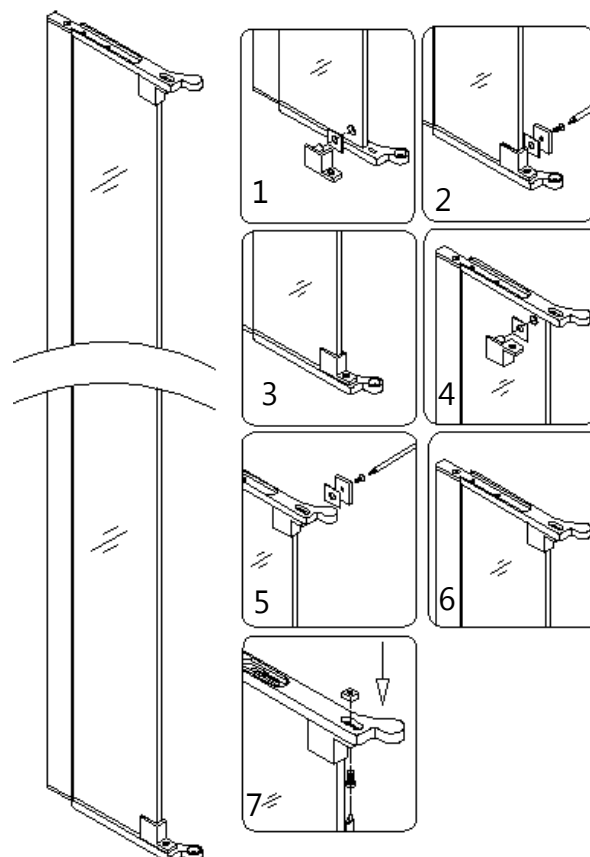


Fig. 6



7. Slide the **Small stationary glass (03)** assembly into the groove of the **Wall profile for small stationary glass (01)**.

See Fig. 7 for details.

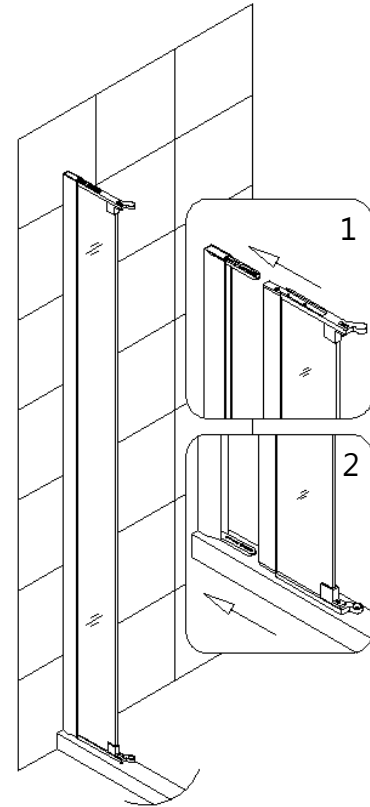


Fig. 7

8. Secure the upper **Pivot bracket (09)** to the upper **Pivot retainer (08)** with **Socket head screw M6×6 (14)**.

Use a level while adjusting the **Small stationary glass (03)** vertically and secure it in the place by tightening the **Socket head screw M6×6 (14)**.

Drill a hole into the Shower base or threshold through the predrilled hole in the **Glass fixer (10)** and the **Pivot bracket (09)** using an **Ø1/8"** drill and fasten it using the **Round head screws ST4.2×25 (19)**.

Cover the screw location with the **Decorative cover (20)**.

See Fig. 8 for details

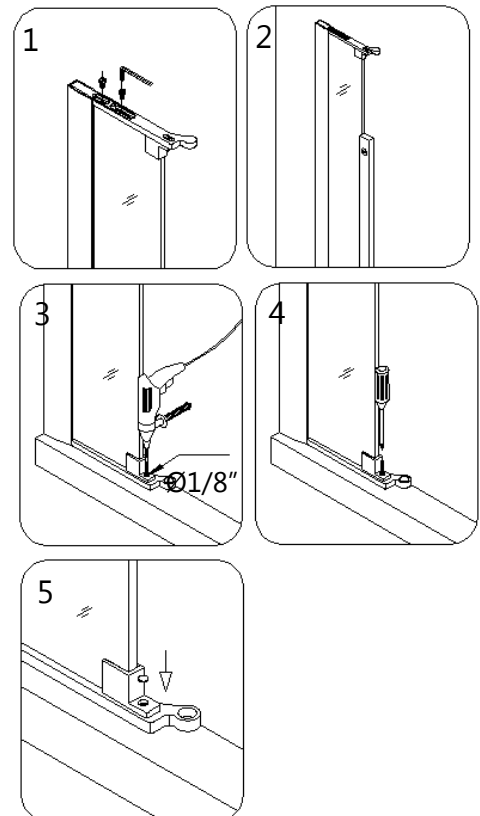


Fig. 8

9. Attach the top and the bottom **Pivot assemblies (12)** to the **Pivot brackets (09)**. Make sure the **Washer (11)** is in between **Pivot assemblies (12)** and **Pivot brackets (09)** and the rubber gaskets are between the glass and the metal.

Slide the **Glass door (04)** into groove of the **Pivot assemblies** and tighten the provided fasten bolts.

Push the **Magnetic strip on door (23)** onto the vertical edge of the **Glass door**.

See Fig. 9 for details

**NOTE:** When adjusting the door glass in the door pivots, leave a minimum of at least 1/2" of glass extending beyond the pivot. Do Not adjust the glass flush to the pivot.

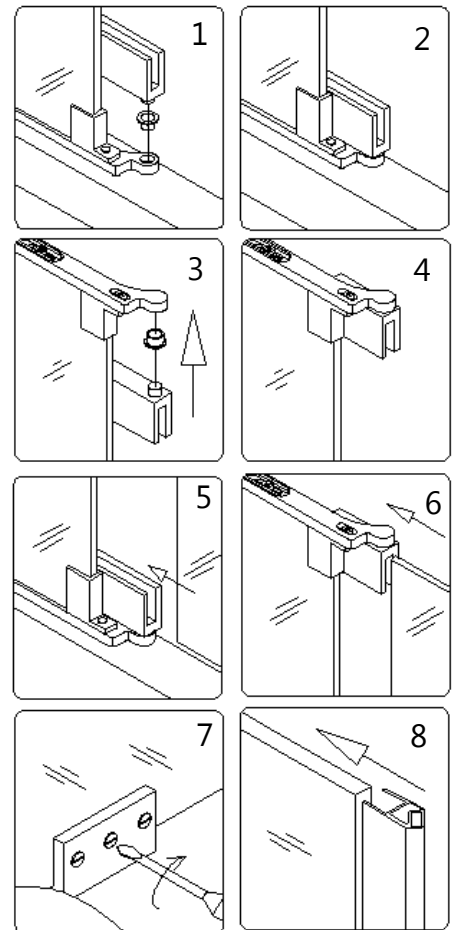


Fig. 9

## **ATTENTION:**

**a)** If the width of the opening is less than **37<sup>3</sup>/<sub>4</sub>"** and you are installing the door only (without the stationary glass), refer to **(Diagram A)** with **(Packing List A)** and follow to **Steps 10-13** to complete the installation.

**b)** If the width of the opening is greater than **37<sup>1</sup>/<sub>4</sub>"**, and you are installing the door and stationary glass with glass shelves, use **(Diagram A and B)** with **(Packing List A and B)** and follow to **Steps 14-21** to complete the installation.

10. Push the **Glass profile (05)** into the groove of the **Wall profile (06)** and push the **Magnetic strip on jamb (24)** into the groove of the **Glass profile (05)**.

Close the **Glass door (04)**. Adjust the position of the **Glass door (04)** and position of the **Wall profile (06)** on the wall to ensure the **Magnetic strips** are able to contact each other properly. In this process, you have to use a level to ensure that the **Glass door** is absolutely vertical.

Draw a line along the vertical edge of the **Wall profile (06)** on the wall. Detach the **Wall profile (06)** from the **Glass profile (05)**. Place the **Wall profile (06)** to the outlined position and mark the drilling holes through the predrilled holes in the **Wall profile (06)**.

Now drill the holes using a **Ø5/16"** drill bit in the wall and insert the **Wall anchors (15)** into the holes.

Apply silicone along the **Wall profile (06)** and around the holes. Fasten the **Wall profile (06)** to the wall with the **Round head Screws ST4.2×40 (18)**. Then push the **Glass profile assembly** into the **Wall profile**.

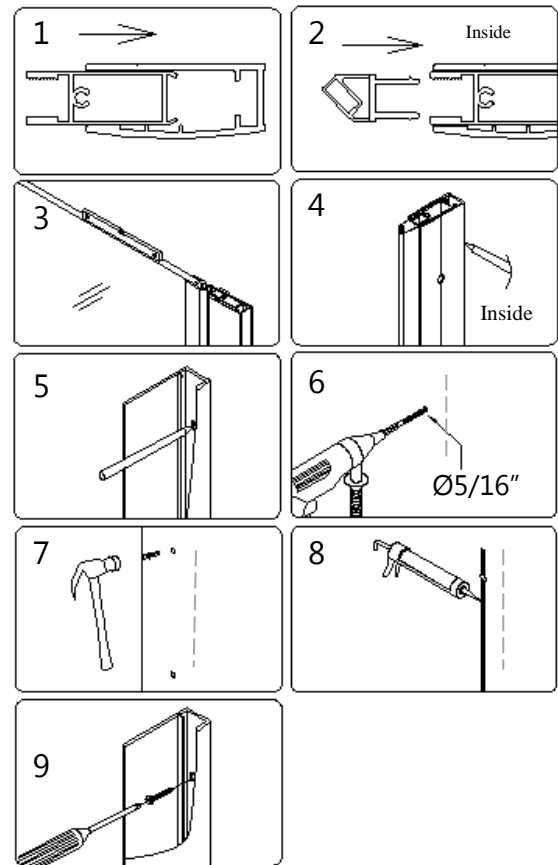


Fig. 10

See Fig. 10 for details

11. After all final adjustments of the **Assembled unit** are made, drill three holes from inside of the shower through the first layer of the both the **Wall profiles** and the **Glass profiles** using an **Ø1/8"** drill bit. Secure the **Wall profile** and the **Glass profile** together with the **Round head screws ST4.2×10 (16)** and **washers**. Cover the screw heads with the **Decorative covers (20)**.

See Fig. 11 for details

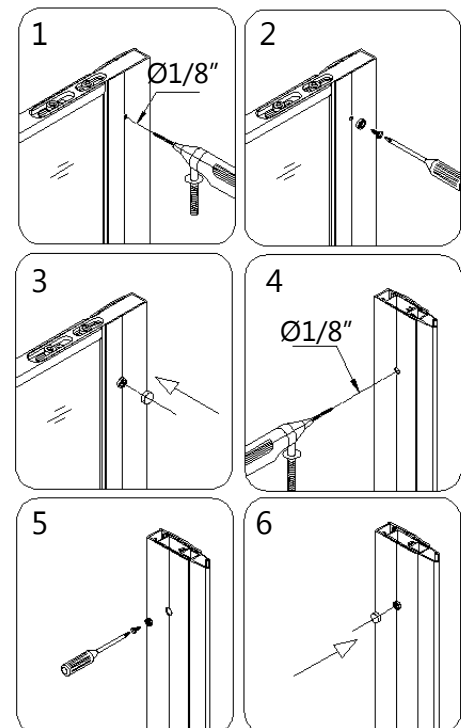


Fig. 11

12. Mount the **Handle (07)** onto the **Glass door (01)**.

Cut the **Bottom anti-water strip (21)** to size using a utility knife and attach it onto the bottom of the door glass with the flange facing into the shower.

See Fig. 12 for details

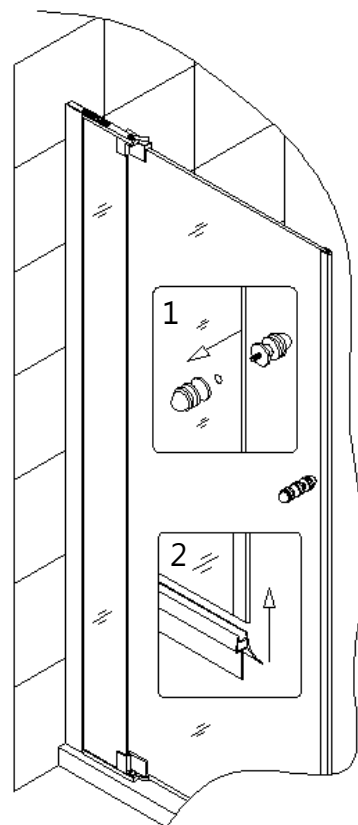


Fig. 12

13. Apply a good quality mildew resistant silicone sealant between the base or threshold and the pivot bracket. Also, apply silicone between the wall and the wall profiles.

See Fig. 13 for details

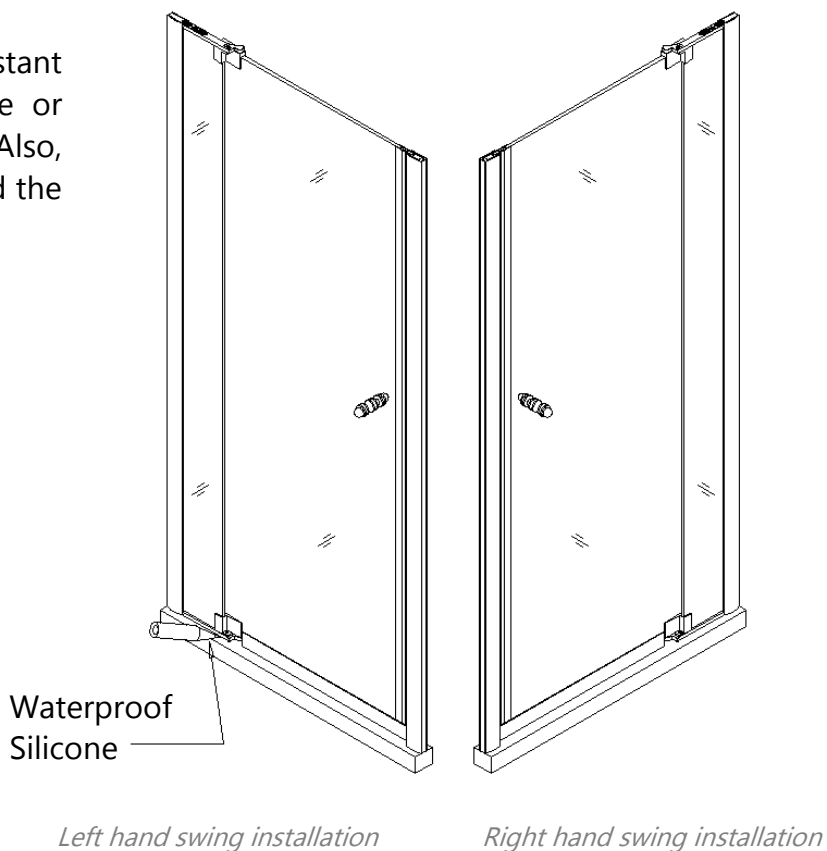


Fig. 13

## Stationary Glass Installation

14. Apply clear silicone along the inner channel of the **Glass profile (05)** and push the **Stationary glass (25)** inside the channel.  
Push the **Magnetic strip (33)** on the vertical edge of the **Glass door (04)**.

**NOTE:** If you have difficulty sliding the **Glass profile (05)** over the **Stationary glass (25)**, you can slightly tap on the **Glass profile (05)** with a rubber mallet and a piece of wood. Please do not strike directly on the profile or on the edge of the glass panel.

Slide the **Stationary glass (25)** with the **Glass profile (05)** into the groove of the **Wall profile (06)**. Push the **Magnetic strip (33)** onto the vertical edge of the **Stationary glass (25)**. Close the **Glass door (04)**. Adjust the width of the opening section of the **Glass door (04)** by loosening the set screws on the pivots. Level and align the **Glass door (04)** and the **Stationary glass (25)** so that the **Magnetic strips (33)** make full contact and hold the door securely in the closed position.

See Fig. 14 for details

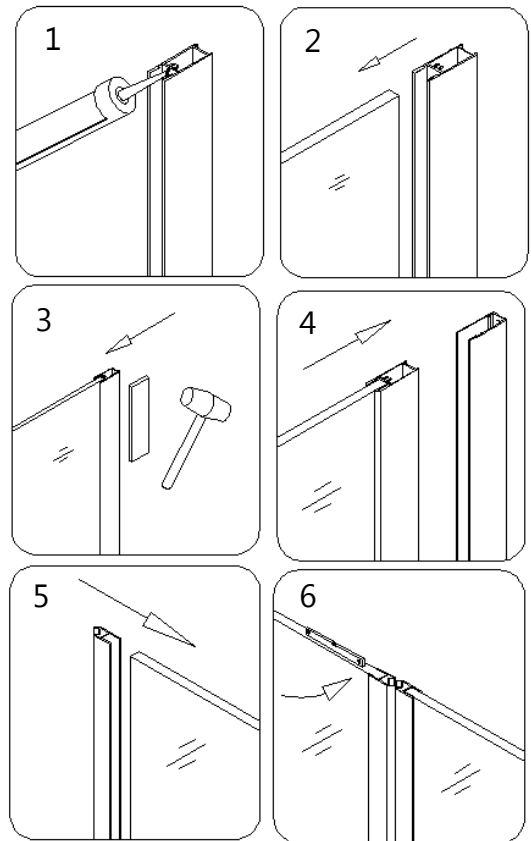


Fig. 14

15. Draw a line along the vertical edge of the **Wall profile (06)** on the wall. Detach the **Wall profile (06)** from the **Glass profile (05)**. Place the **Wall profile (06)** to the outlined position and mark the drilling holes through the predrilled holes in the **Wall profile (06)**.  
Now drill the holes in the wall using a  $\text{Ø}5/16''$  drill bit and insert the **Wall anchors (15)** into the holes.  
Apply silicone along the **Wall profile (06)** and around the holes. Fasten the **Wall profile (06)** to the wall with the **Round head Screws ST4.2×40 (18)**.

See Fig. 15 for details

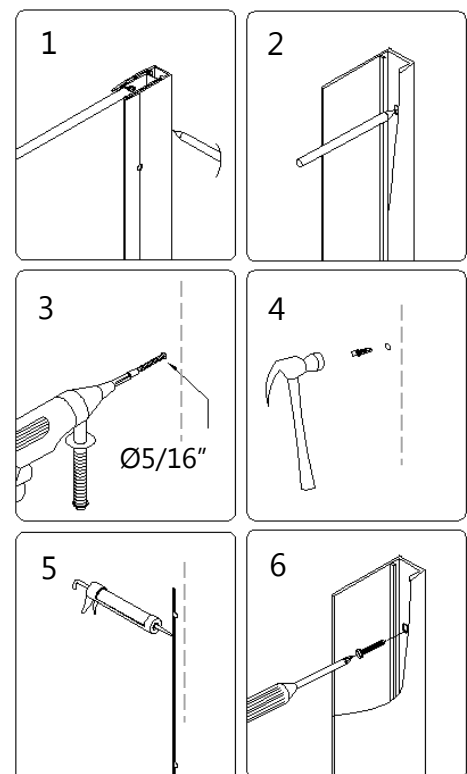


Fig. 15

16. Slide the **Stationary glass (04)** with the **Glass profile (05)** back into the groove of the **Wall profile (06)**.

Re-adjust the **Glass door (04)** and the **Stationary glass (04)** panel so that the **Magnetic strips (33)** are fully aligned.

See Fig. 16 for details.

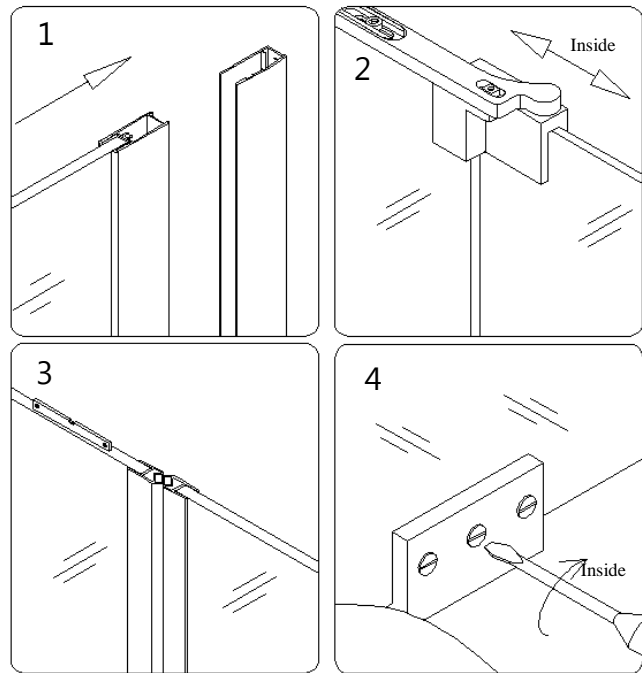


Fig. 16

17. Install the **Bottom Bracket (32)** onto the **Stationary glass (04)**. Make any final adjustments to the panel, then drill a hole into the Shower base or threshold using an **Ø1/8"** drill bit.

Use a **Round head screw ST4.2×25 (30)** and a **washer** to attach the **Bottom Bracket (32)** to the Shower base or the threshold.

Cover the screw location with a **Decorative cover (31)**.

See Fig. 17 for details

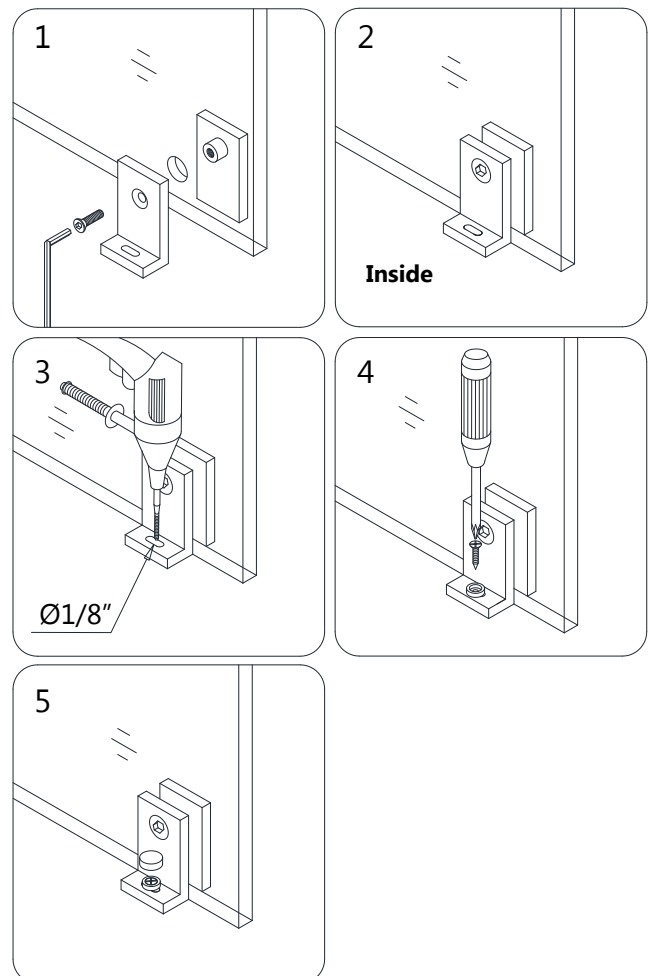


Fig. 17

18. After all final adjustments of the **Assembled unit** are made, drill three holes from inside of the shower through the first layer of the both the **Wall profiles** and the **Glass profiles** using an **Ø1/8"** drill bit.

Secure the **Wall profile** and the **Glass profile** together with the **Round head screws ST4.2×10 (16)** and **washers**. Cover the screw heads with the **Decorative covers (20)**.

See Fig. 18 for details

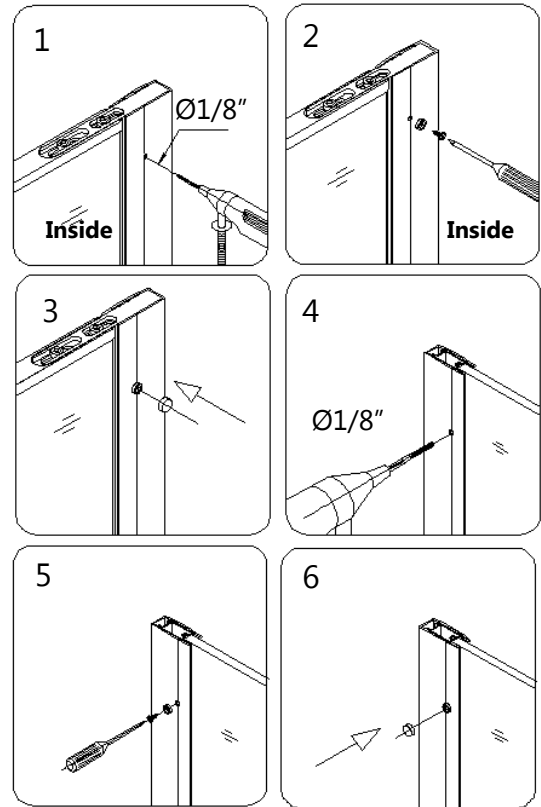


Fig. 18

19. Mount the **Handle (07)** onto the **Glass door (01)**.

Cut the **Bottom anti-water strip (21)** to size using a utility knife and attach it onto the bottom of the door glass with the flange facing into the shower.

See Fig. 19 for details

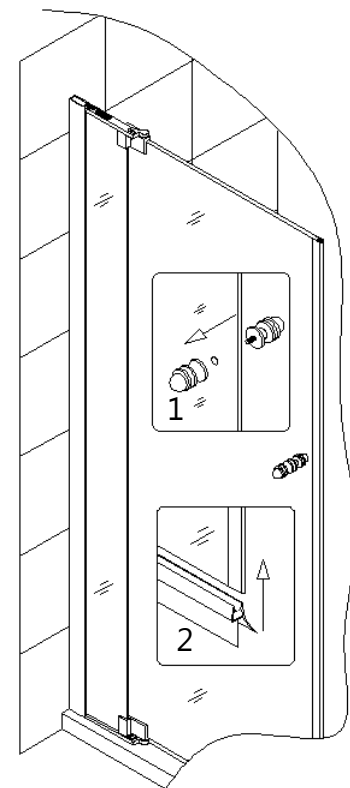


Fig. 19

## Glass shelves installation

20. Mark the **Glass shelf (34)** position on the wall. According to the measurements in Fig. 20.1, mark the drilling holes on the wall for the **Shelf brackets (26)**. Drill the holes using a  $\text{Ø}5/16''$  drill bit and insert the **Wall anchors (28)**.

Attach the **Shelf brackets (26)** to the wall using the **Flat head screw ST4.2×40 (29)** and attach the **Shelf brackets (27)** to the **Stationary glass (25)**.

Insert the **Glass shelves** into the **Shelf brackets** and fasten the screws at the bottom of the brackets.

See Fig. 20 and Fig. 21 for details.

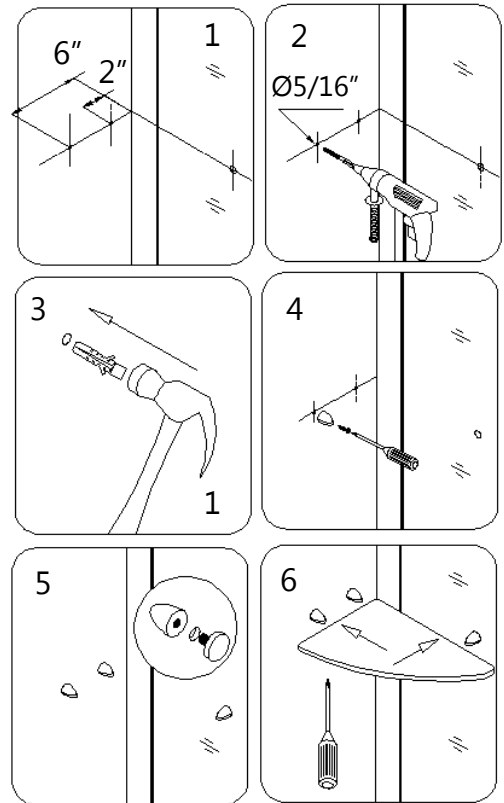


Fig. 20

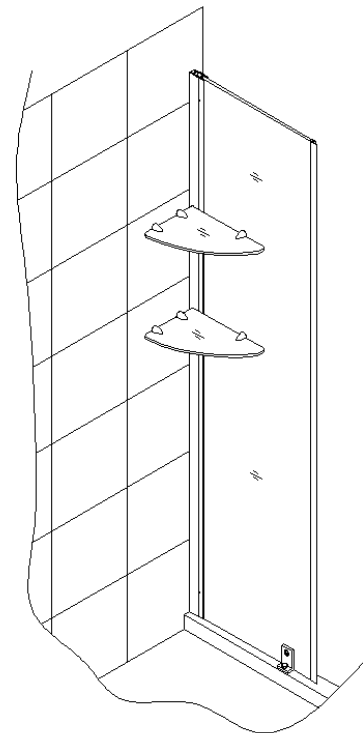
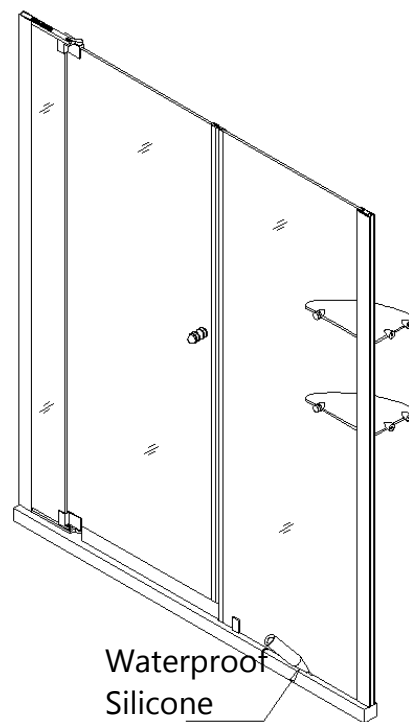


Fig. 21



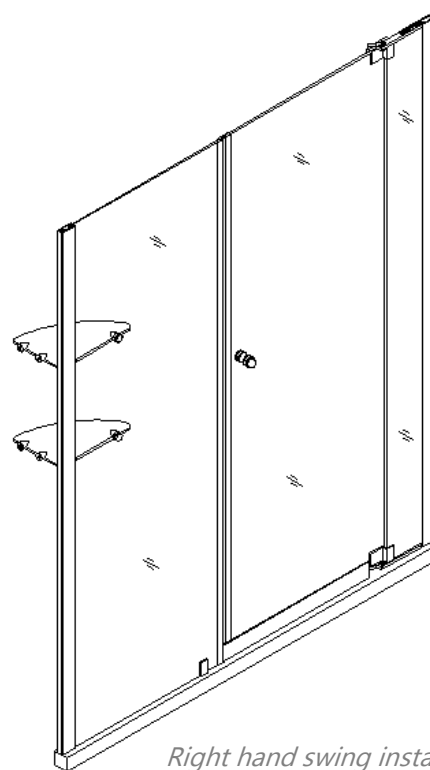
21. Apply a good quality mildew resistant silicone sealant between the base or threshold and the pivot bracket. Also, apply silicone between the wall and the wall profiles.

See Fig. 22 for details.



*Left hand swing installation*

Fig. 22



*Right hand swing installation*

Fig. 23

## **Product Maintenance**

**BASES and BACKWALLS:** To ensure long lasting life for your acrylic back walls: wipe them off after each use with a soft cloth. To clean the acrylic back walls use non-abrasive sprays or cream based cleaners. Avoid the use of aerosol spray cleaners. Never use abrasive cleansers, metal brushes or scrapers that could scratch or dull the surface.

**GLASS:** To ensure long lasting life for your glass shower products: wipe them off after each use with a soft cloth. Rinse and wipe off the glass using either a soft cloth or a squeegee to prevent soap buildup and water spots (Hard water can etch the surface of the glass over time if left to dry). To prevent scratching the surface: never use abrasive cleaners or cleaning products that contain scouring agents. Never use bristle brushes or abrasive sponges that may scratch the surface.

**HARDWARE:** To ensure a long lasting finish: wipe off the metal parts after each use with a soft cloth. Do not use abrasive cleaners or cleaning products containing ammonia, bleach or acid. If accidentally used, rinse the surface as soon as possible to prevent damage to the finish (peeling or corrosion). After cleaning the polished finishes, rinse thoroughly and wipe dry with soft cloth. Clean stainless steel surfaces at least once a week. When applying stainless steel cleaner or polish to stainless steel hardware, work with (not across) the grain. Never use an abrasive sponge or cloth, steel wool or wired brush as these may permanently scratch the surfaces.



TEL: [866-731-2244](tel:866-731-2244)

FAX: [866-857-3638](tel:866-857-3638)

[DREAMLINE.COM](http://DREAMLINE.COM)

For more information on [DreamLine® Shower Doors](http://DreamLine.com) and [Enclosures](http://DreamLine.com) please visit [DreamLine.com](http://DreamLine.com)