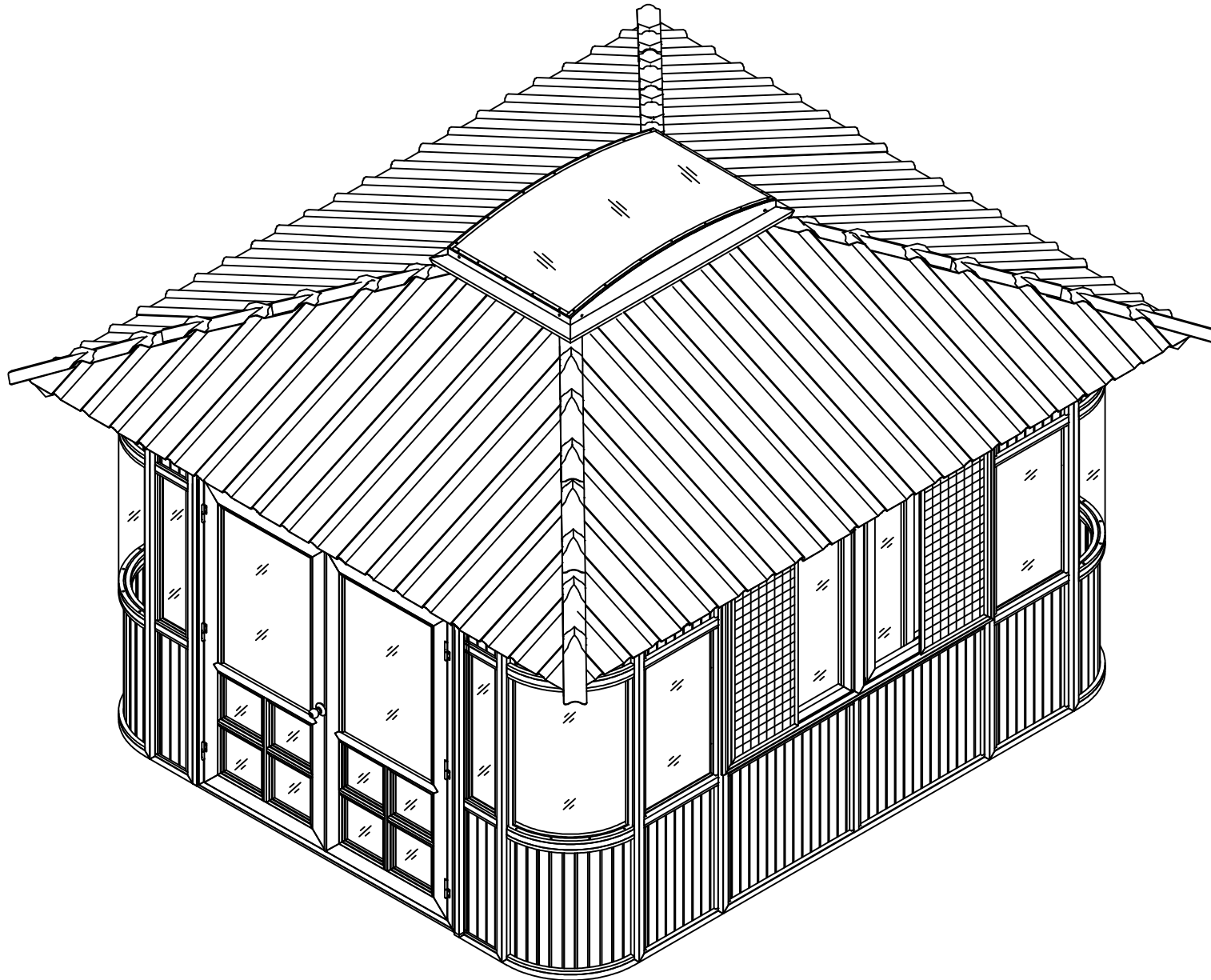
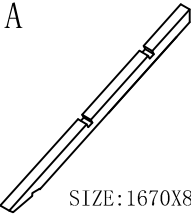
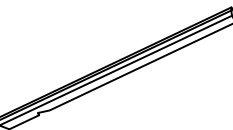
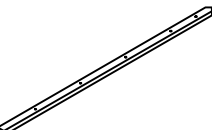
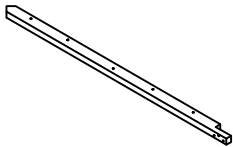
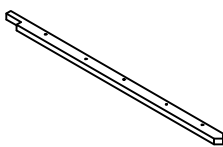
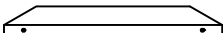
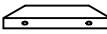
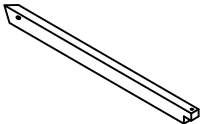
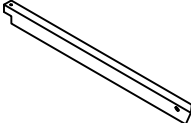
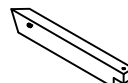
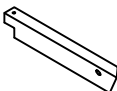
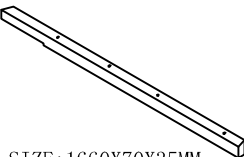
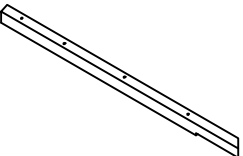
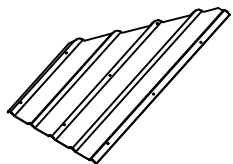
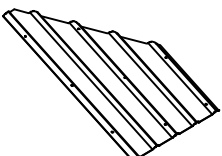
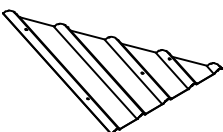
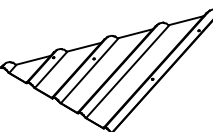
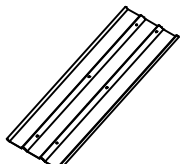



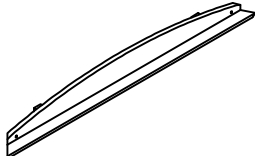
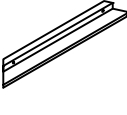
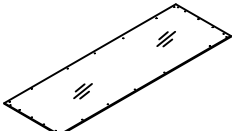
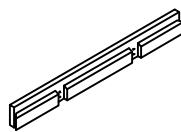
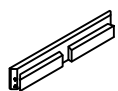
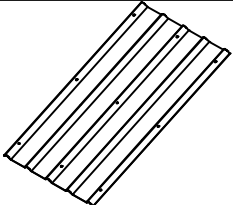
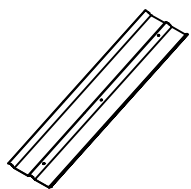
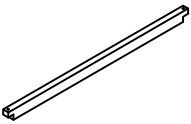
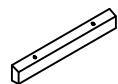


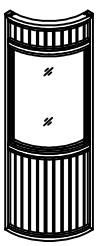
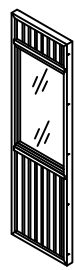



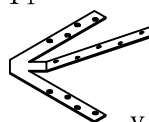

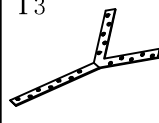
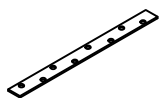

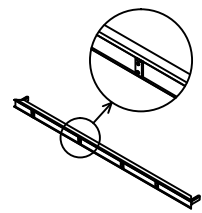
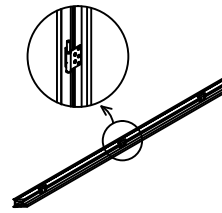
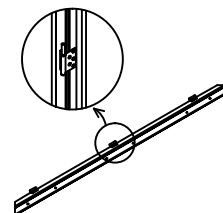

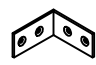


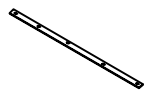
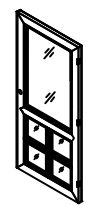
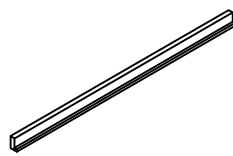

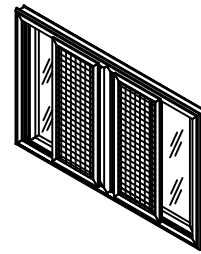
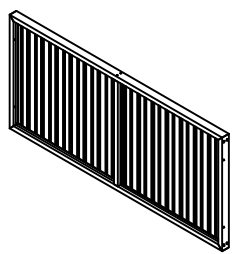




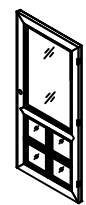
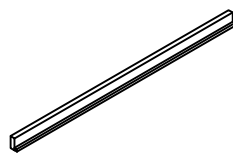

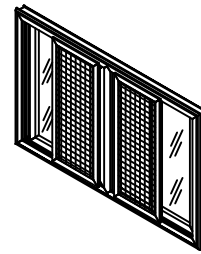
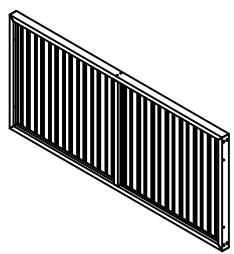



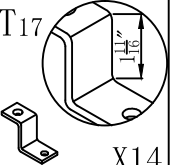
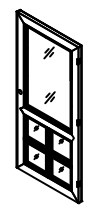
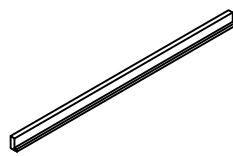

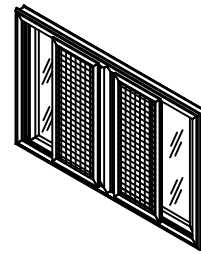
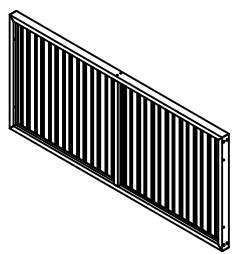
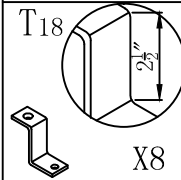



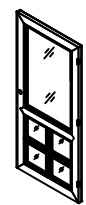
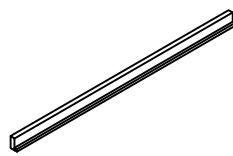

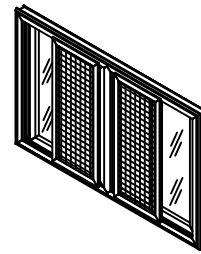
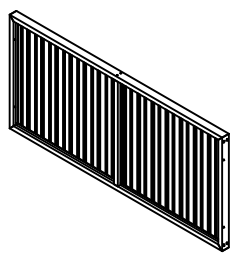




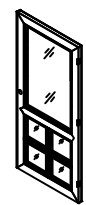
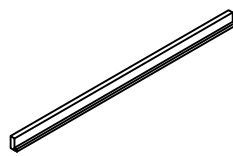

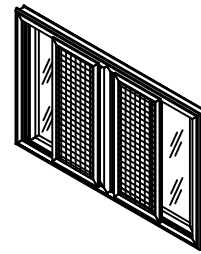
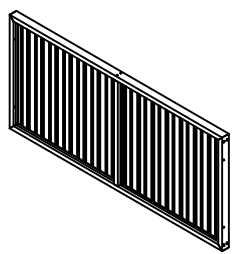

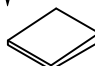




ASSEMBLY INSTRUCTION FOR 12'X14' ULTRAWOOD GAZEBO



ASSEMBLY INSTRUCTION FOR 12'X14' ULTRAWOOD GAZEBO

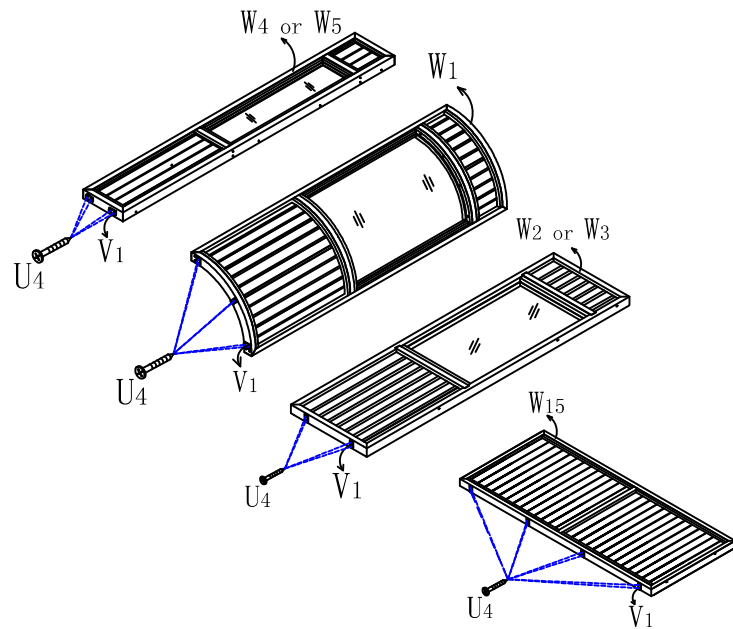
<p>A</p>  <p>SIZE: 1670X80X70MM 65³/₄" X 3" X 2³/₄" X6</p>	<p>B</p>  <p>SIZE: 2270X90X70MM 89³/₈" X 3¹/₂" X 2³/₄" X4</p>	<p>C</p>  <p>SIZE: 2010X60X35MM 79¹/₈" X 2³/₈" X 1³/₈" X4</p>	<p>C1</p>  <p>SIZE: 1765X60X35MM 69¹/₂" X 2³/₈" X 1³/₈" X2</p>	<p>C2</p>  <p>SIZE: 1765X60X35MM 69¹/₂" X 2³/₈" X 1³/₈" X2</p>	<p>D</p>  <p>SIZE: 590X90X35MM 23¹/₄" X 3¹/₂" X 1³/₈" X4</p>
<p>D1</p>  <p>SIZE: 300X90X35MM 12" X 3¹/₂" X 1³/₈" X4</p>	<p>E</p>  <p>SIZE: 1190X60X35MM 46⁷/₈" X 2³/₈" X 1³/₈" X4</p>	<p>F</p>  <p>SIZE: 1190X60X35MM 46⁷/₈" X 2³/₈" X 1³/₈" X4</p>	<p>G</p>  <p>SIZE: 704X60X35MM 27¹/₁₆" X 2³/₈" X 1³/₈" X4</p>	<p>H</p>  <p>SIZE: 704 X 60 X 35MM 27¹/₁₆" X 2³/₈" X 1³/₈" X4</p>	<p>I</p>  <p>SIZE: 1660X70X35MM 65³/₈" X 2³/₄" X 1³/₈" X4</p>
<p>J</p>  <p>SIZE: 1660X70X35MM 65³/₈" X 2³/₄" X 1³/₈" X4</p>	<p>K</p>  <p>SIZE: 1710X880X30MM 67⁵/₁₆" X 34³/₈" X 1³/₁₆" X4</p>	<p>L</p>  <p>SIZE: 1710X880X30MM 67⁵/₁₆" X 34³/₈" X 1³/₁₆" X4</p>	<p>M</p>  <p>SIZE: 944X863X30MM 37³/₁₆" X 34" X 1³/₁₆" X4</p>	<p>N</p>  <p>SIZE: 944X863X30MM 37³/₁₆" X 34" X 1³/₁₆" X4</p>	<p>N1</p>  <p>SIZE: 1710X600X30MM 67⁵/₁₆" X 23⁵/₈" X 1³/₁₆" X2</p>
<p>O</p>  <p>SIZE: 720X115X50MM 28³/₈" X 4¹/₂" X 2" X4</p>	<p>P</p>  <p>SIZE: 830X115X50MM 32¹/₁₆" X 4¹/₂" X 2" X4</p>	<p>P1</p>  <p>SIZE: 1030X115X50MM 40⁹/₁₆" X 4¹/₂" X 2" X4</p>	<p>Q</p>  <p>SIZE: 1591X191X100MM 62⁵/₈" X 7¹/₂" X 4" X2</p>	<p>Q1</p>  <p>SIZE: 1007X109X100MM 39⁵/₈" X 4⁵/₁₆" X 4" X2</p>	<p>R</p>  <p>SIZE: 1500X875X3MM 59¹/₁₆" X 34⁷/₁₆" X 1³/₁₆" X1</p>
<p>S1</p>  <p>SIZE: 1338X140X60MM 52¹/₁₆" X 5¹/₂" X 2³/₈" X2</p>	<p>S2</p>  <p>SIZE: 800X140X60MM 31¹/₂" X 5¹/₂" X 2³/₈" X2</p>	<p>S3</p>  <p>SIZE: 1710X880X30MM 67⁵/₁₆" X 34³/₈" X 1³/₁₆" X2</p>	<p>S4</p>  <p>SIZE: 1710X375X30MM 67⁵/₁₆" X 14¹/₄" X 1³/₁₆" X2</p>	<p>S5</p>  <p>SIZE: 590X60X35MM 23¹/₄" X 2³/₈" X 1³/₈" X4</p>	<p>S6</p>  <p>SIZE: 520X70X35MM 20¹/₂" X 2³/₄" X 1³/₈" X2</p>

ASSEMBLY INSTRUCTION FOR 12'X14' ULTRAWOOD GAZEBO

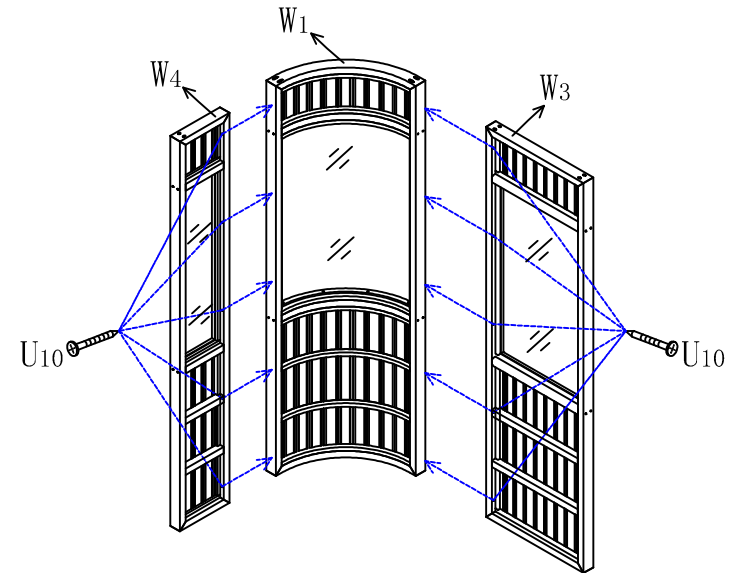
<p>W1</p>  <p>SIZE: 693X60X2080MM 27$\frac{1}{4}$"X2$\frac{3}{8}$"X81$\frac{7}{8}$" X4</p>	<p>W2</p>  <p>SIZE: 600X60X2080MM 23$\frac{5}{8}$"X2$\frac{3}{8}$"X81$\frac{7}{8}$" X2</p>	<p>W3</p>  <p>SIZE: 600X60X2080MM 23$\frac{5}{8}$"X2$\frac{3}{8}$"X81$\frac{7}{8}$" X2</p>	<p>W4</p>  <p>SIZE: 305X60X2080MM 12"X2$\frac{3}{8}$"X81$\frac{7}{8}$" X2</p>	<p>W5</p>  <p>SIZE: 305X60X2080MM 12"X2$\frac{3}{8}$"X81$\frac{7}{8}$" X2</p>	<p>T1</p>  <p>X4</p>	<p>T2</p>  <p>X6</p>	<p>T3</p>  <p>X4</p>	<p>T4</p>  <p>X2</p>		
<p>W6</p>  <p>SIZE: 1840X65X65MM 72$\frac{7}{16}$"X2$\frac{9}{16}$"X2$\frac{9}{16}$" X1</p>	<p>W7</p>  <p>SIZE: 1840X65X65MM 72$\frac{7}{16}$"X2$\frac{9}{16}$"X2$\frac{9}{16}$" X1</p>	<p>W8</p>  <p>SIZE: 1995X65X65MM 78$\frac{9}{16}$"X2$\frac{9}{16}$"X2$\frac{9}{16}$" X1</p>	<p>W9</p>  <p>SIZE: 1995X65X65MM 78$\frac{9}{16}$"X2$\frac{9}{16}$"X2$\frac{9}{16}$" X1</p>	<p>W10</p>  <p>SIZE: 860X45X1890MM 33$\frac{3}{8}$"X1$\frac{3}{4}$"X74$\frac{3}{8}$" X1</p>	<p>T5</p>  <p>X4</p>	<p>T6</p>  <p>X4</p>	<p>T7</p>  <p>X2</p>	<p>T8</p>  <p>X2</p>		
<p>W11</p>  <p>SIZE: 860X45X1890MM 33$\frac{3}{8}$"X1$\frac{3}{4}$"X74$\frac{3}{8}$" X1</p>	<p>W12</p>  <p>SIZE: 1900X59X90MM 74$\frac{3}{4}$"X2$\frac{3}{8}$"X3$\frac{1}{2}$" X1</p>	<p>W13</p>  <p>SIZE: 60X35X1990MM 2$\frac{3}{8}$"X1$\frac{3}{8}$"X78$\frac{3}{8}$" X2</p>	<p>W14</p>  <p>SIZE: 1930X1230X87MM 76"X48$\frac{3}{8}$"X3$\frac{3}{8}$" X3</p>	<p>W15</p>  <p>SIZE: 1900X880X60MM 75$\frac{3}{4}$"X34$\frac{3}{8}$"X2$\frac{3}{8}$" X3</p>	<p>T9</p>  <p>X4</p>	<p>T10</p>  <p>8-ϕ8X50MM SIZE: $\frac{5}{16}$" X 2"</p>	<p>T11</p>  <p>X2</p>	<p>T16</p>  <p>X16</p>		
<p>W11</p>  <p>SIZE: 860X45X1890MM 33$\frac{3}{8}$"X1$\frac{3}{4}$"X74$\frac{3}{8}$" X1</p>	<p>W12</p>  <p>SIZE: 1900X59X90MM 74$\frac{3}{4}$"X2$\frac{3}{8}$"X3$\frac{1}{2}$" X1</p>	<p>W13</p>  <p>SIZE: 60X35X1990MM 2$\frac{3}{8}$"X1$\frac{3}{8}$"X78$\frac{3}{8}$" X2</p>	<p>W14</p>  <p>SIZE: 1930X1230X87MM 76"X48$\frac{3}{8}$"X3$\frac{3}{8}$" X3</p>	<p>W15</p>  <p>SIZE: 1900X880X60MM 75$\frac{3}{4}$"X34$\frac{3}{8}$"X2$\frac{3}{8}$" X3</p>	<p>T12</p>  <p>X1</p>	<p>T13</p>  <p>X2</p>	<p>T14</p>  <p>X1</p>	<p>T17</p>  <p>X14</p>		
<p>W11</p>  <p>SIZE: 860X45X1890MM 33$\frac{3}{8}$"X1$\frac{3}{4}$"X74$\frac{3}{8}$" X1</p>	<p>W12</p>  <p>SIZE: 1900X59X90MM 74$\frac{3}{4}$"X2$\frac{3}{8}$"X3$\frac{1}{2}$" X1</p>	<p>W13</p>  <p>SIZE: 60X35X1990MM 2$\frac{3}{8}$"X1$\frac{3}{8}$"X78$\frac{3}{8}$" X2</p>	<p>W14</p>  <p>SIZE: 1930X1230X87MM 76"X48$\frac{3}{8}$"X3$\frac{3}{8}$" X3</p>	<p>W15</p>  <p>SIZE: 1900X880X60MM 75$\frac{3}{4}$"X34$\frac{3}{8}$"X2$\frac{3}{8}$" X3</p>	<p>T18</p>  <p>X8</p>	<p>U2</p>  <p>46-ϕ5X75MM SIZE: $\frac{3}{16}$" X 3"</p>	<p>U3</p>  <p>116-ϕ5X55MM SIZE: $\frac{3}{16}$" X 2$\frac{1}{16}$"</p>	<p>U4</p>  <p>294-ϕ4X30MM SIZE: $\frac{3}{16}$" X 1$\frac{1}{16}$"</p>		
<p>W11</p>  <p>SIZE: 860X45X1890MM 33$\frac{3}{8}$"X1$\frac{3}{4}$"X74$\frac{3}{8}$" X1</p>	<p>W12</p>  <p>SIZE: 1900X59X90MM 74$\frac{3}{4}$"X2$\frac{3}{8}$"X3$\frac{1}{2}$" X1</p>	<p>W13</p>  <p>SIZE: 60X35X1990MM 2$\frac{3}{8}$"X1$\frac{3}{8}$"X78$\frac{3}{8}$" X2</p>	<p>W14</p>  <p>SIZE: 1930X1230X87MM 76"X48$\frac{3}{8}$"X3$\frac{3}{8}$" X3</p>	<p>W15</p>  <p>SIZE: 1900X880X60MM 75$\frac{3}{4}$"X34$\frac{3}{8}$"X2$\frac{3}{8}$" X3</p>	<p>U5</p>  <p>138-ϕ4X55MM SIZE: $\frac{3}{16}$" X 2$\frac{1}{16}$"</p>	<p>U6</p>  <p>24-ϕ4X20MM SIZE: $\frac{3}{16}$" X $\frac{1}{16}$"</p>	<p>U7-1</p>  <p>4-ϕ6X20MM SIZE: $\frac{3}{16}$" X $\frac{1}{16}$"</p>	<p>U9</p>  <p>Color: Black 70-ϕ4X30MM SIZE: $\frac{3}{16}$" X 1$\frac{1}{16}$"</p>		
<p>W11</p>  <p>SIZE: 860X45X1890MM 33$\frac{3}{8}$"X1$\frac{3}{4}$"X74$\frac{3}{8}$" X1</p>	<p>W12</p>  <p>SIZE: 1900X59X90MM 74$\frac{3}{4}$"X2$\frac{3}{8}$"X3$\frac{1}{2}$" X1</p>	<p>W13</p>  <p>SIZE: 60X35X1990MM 2$\frac{3}{8}$"X1$\frac{3}{8}$"X78$\frac{3}{8}$" X2</p>	<p>W14</p>  <p>SIZE: 1930X1230X87MM 76"X48$\frac{3}{8}$"X3$\frac{3}{8}$" X3</p>	<p>W15</p>  <p>SIZE: 1900X880X60MM 75$\frac{3}{4}$"X34$\frac{3}{8}$"X2$\frac{3}{8}$" X3</p>	<p>U10</p>  <p>102-ϕ5X65MM SIZE: $\frac{3}{16}$" X 2$\frac{9}{16}$"</p>	<p>V</p>  <p>SHIM X10</p>	<p>V1</p>  <p>PLASTIC SPACER PIECE X40</p>	<p>V2</p>  <p>X4</p>	<p>V3</p>  <p>X4</p>	<p>X</p>  <p>1-ϕ5X30x70MM</p>

ASSEMBLY INSTRUCTION FOR 12'X14' ULTRAWOOD GAZEBO

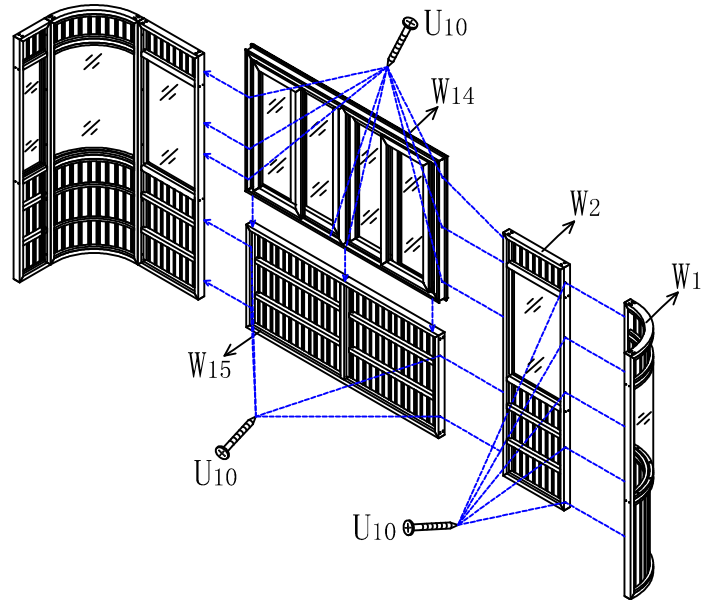
#1



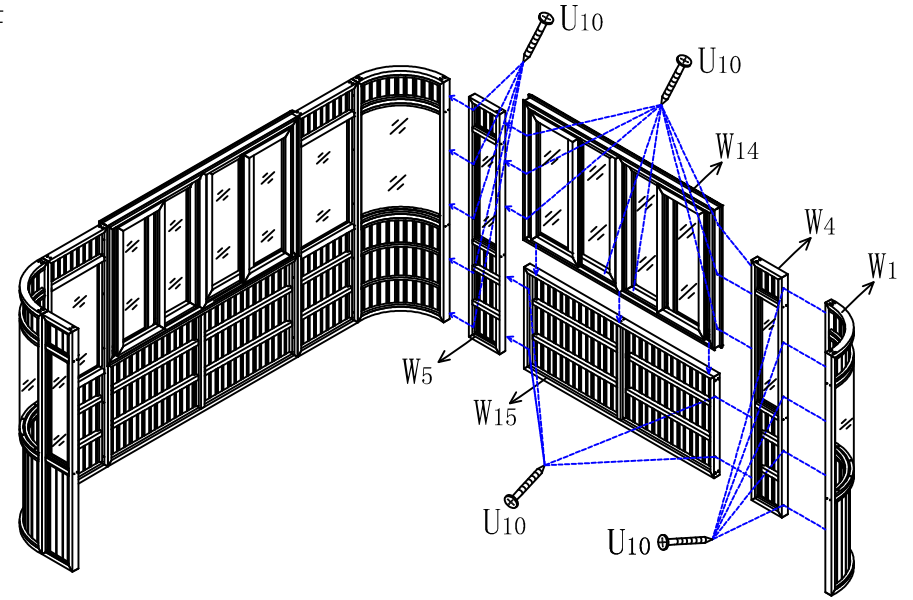
#2



#3

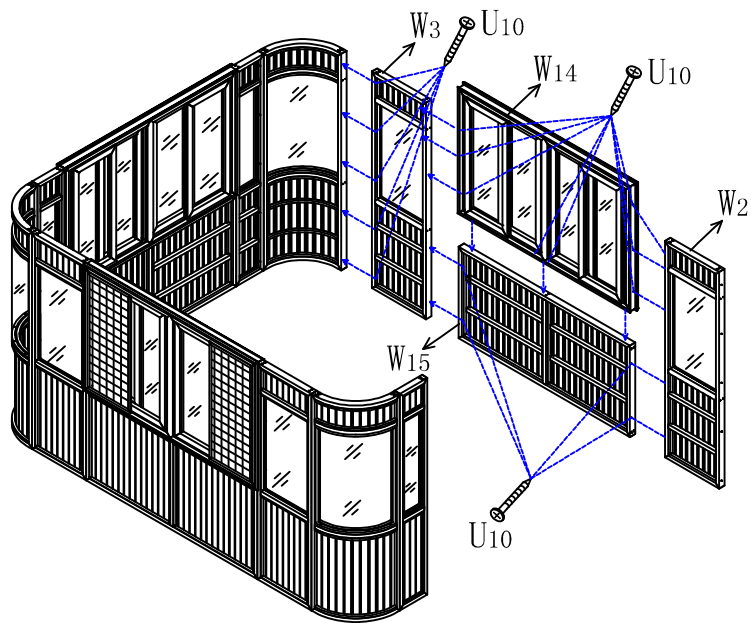


#4

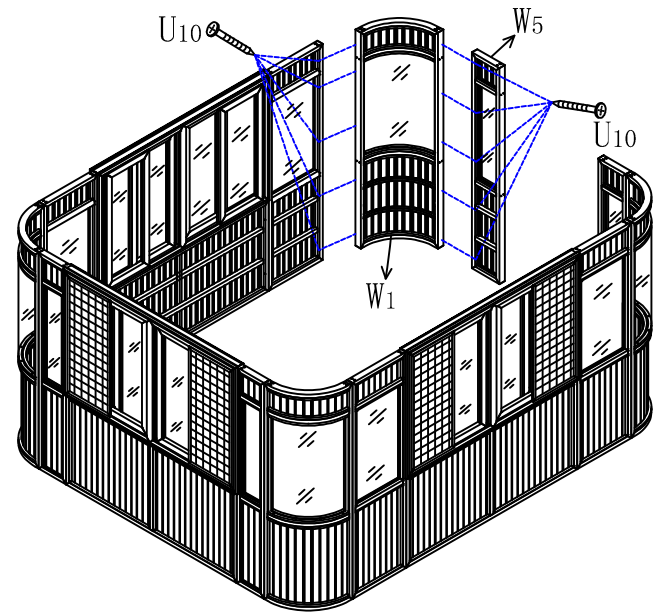


ASSEMBLY INSTRUCTION FOR 12'X14' ULTRAWOOD GAZEBO

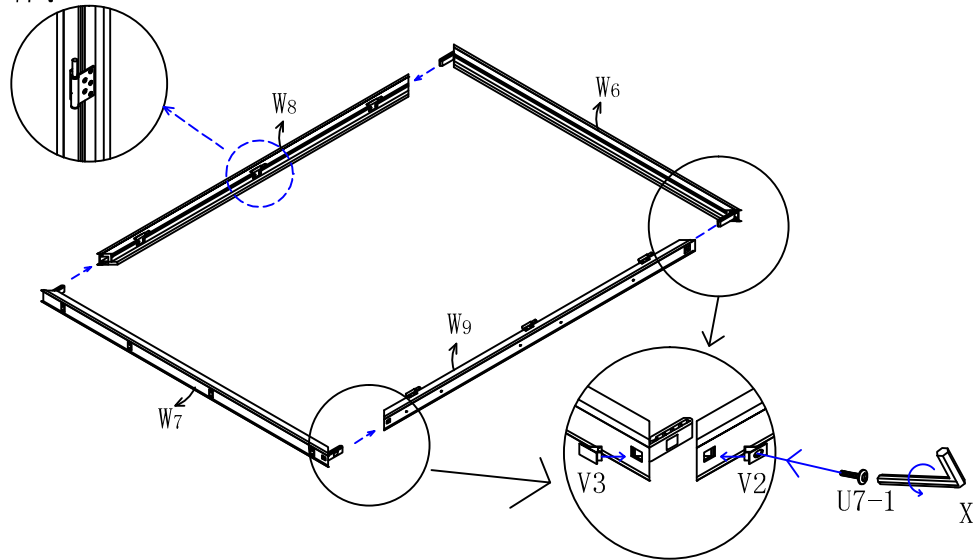
#5



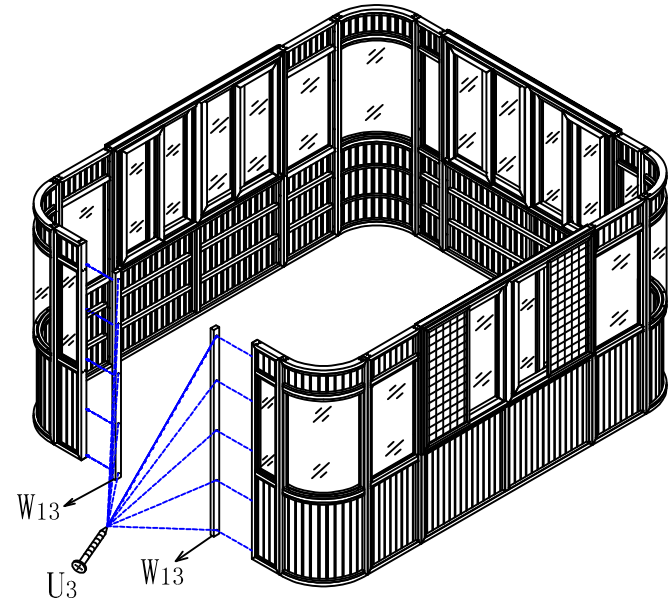
#6



#7

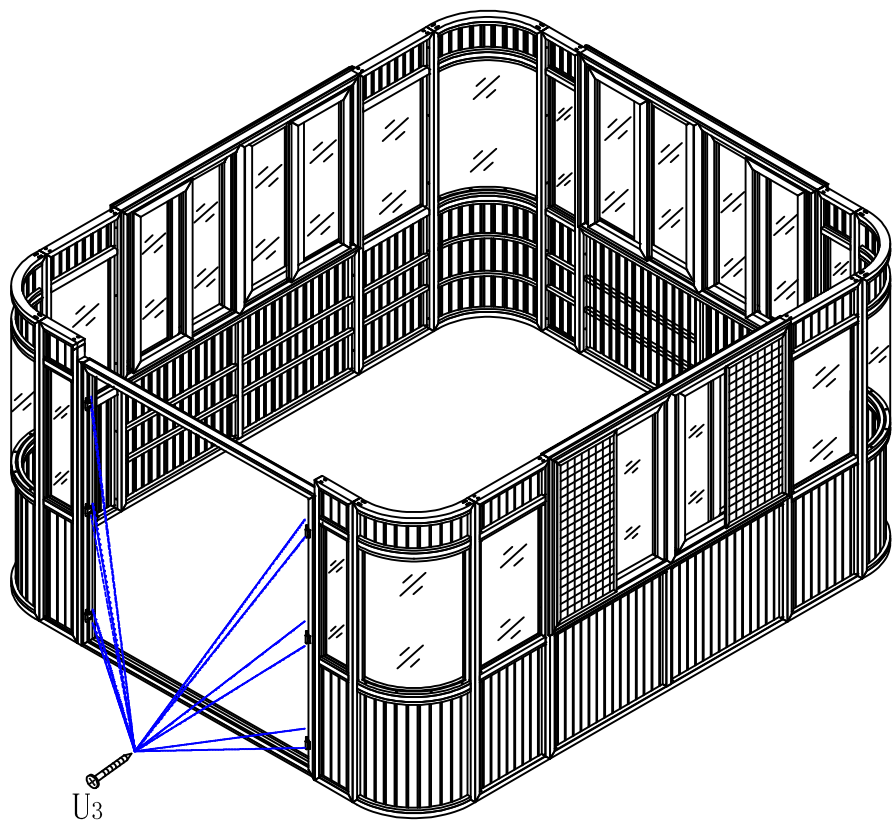


#8

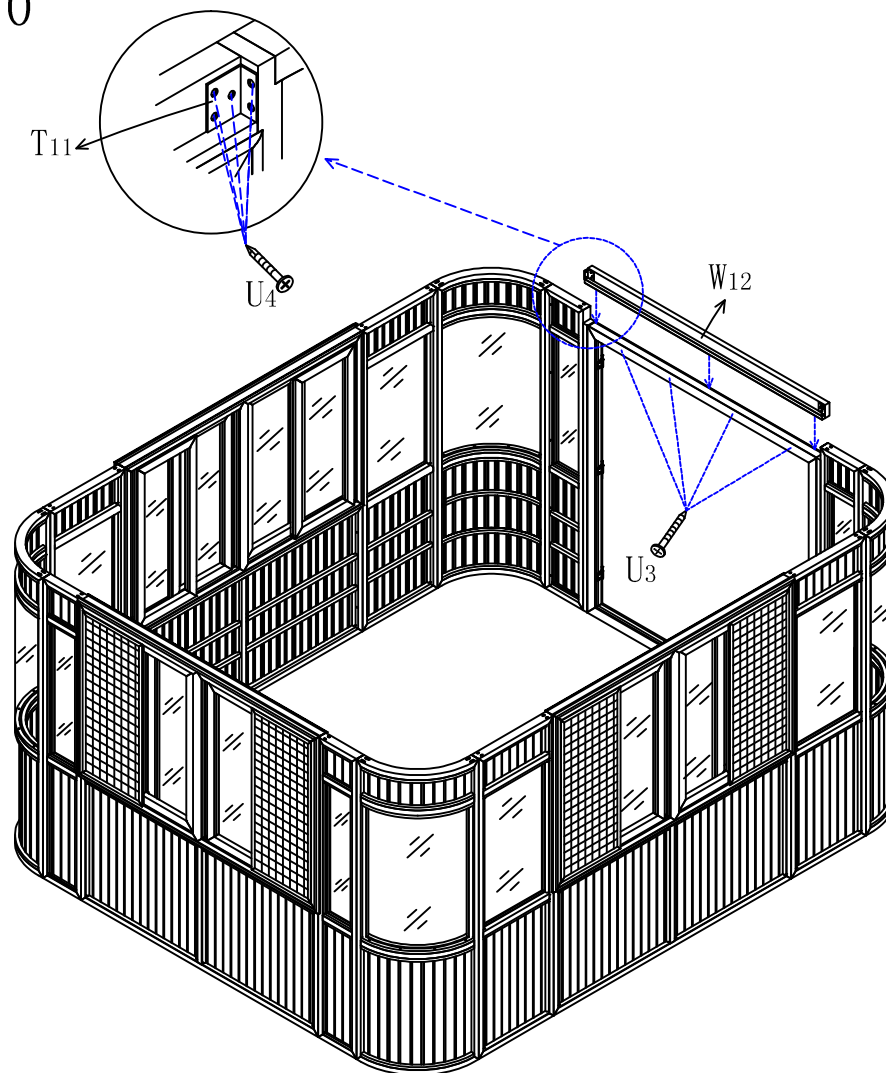


ASSEMBLY INSTRUCTION FOR 12'X14' ULTRAWOOD GAZEBO

#9

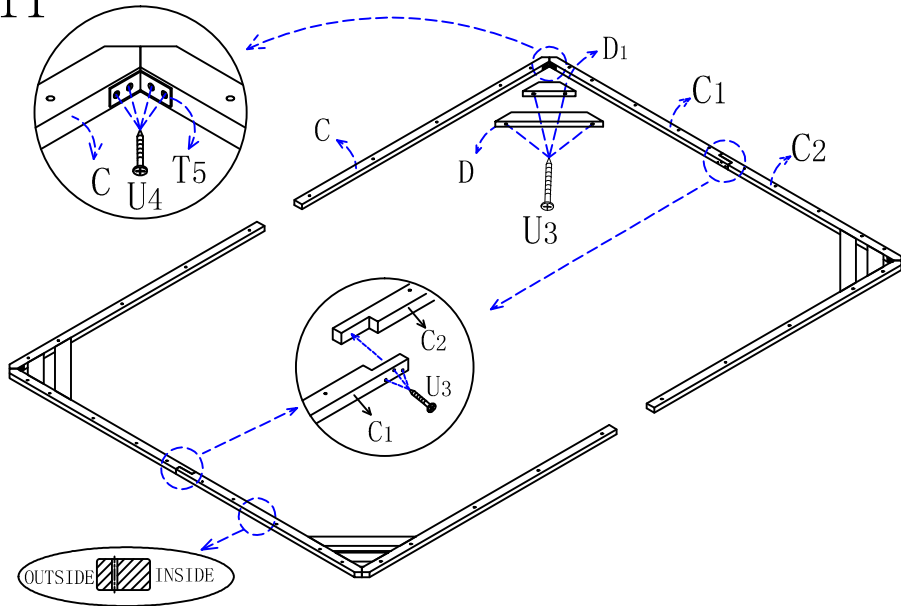


#10

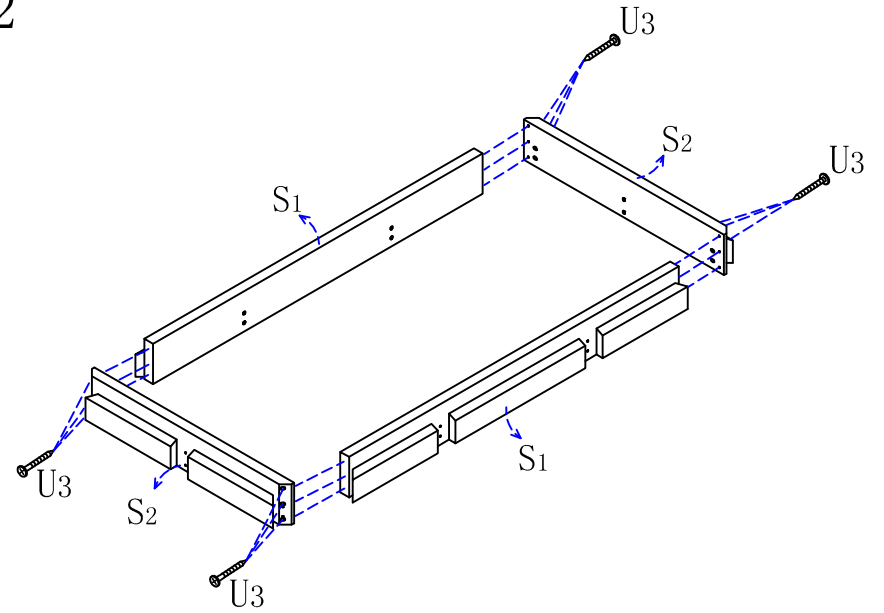


ASSEMBLY INSTRUCTION FOR 12'X14' ULTRAWOOD GAZEBO

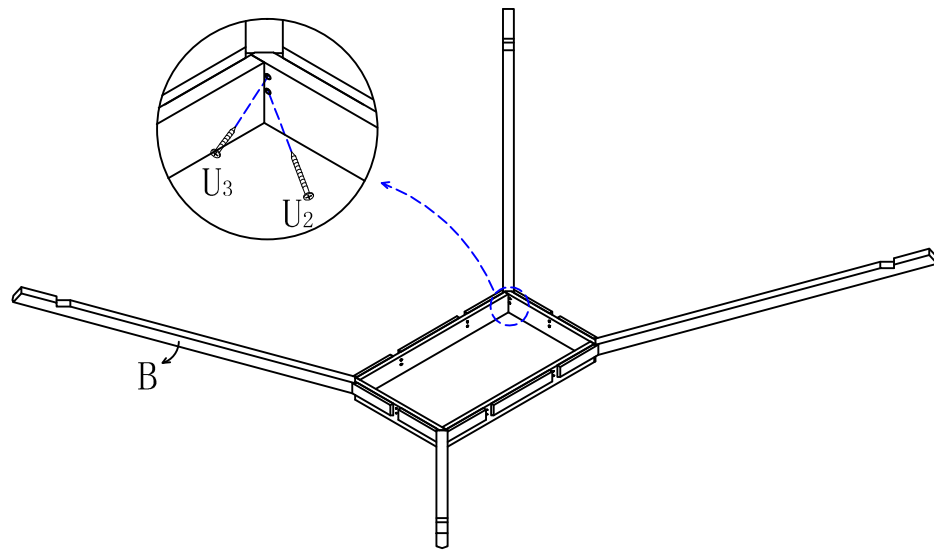
#11



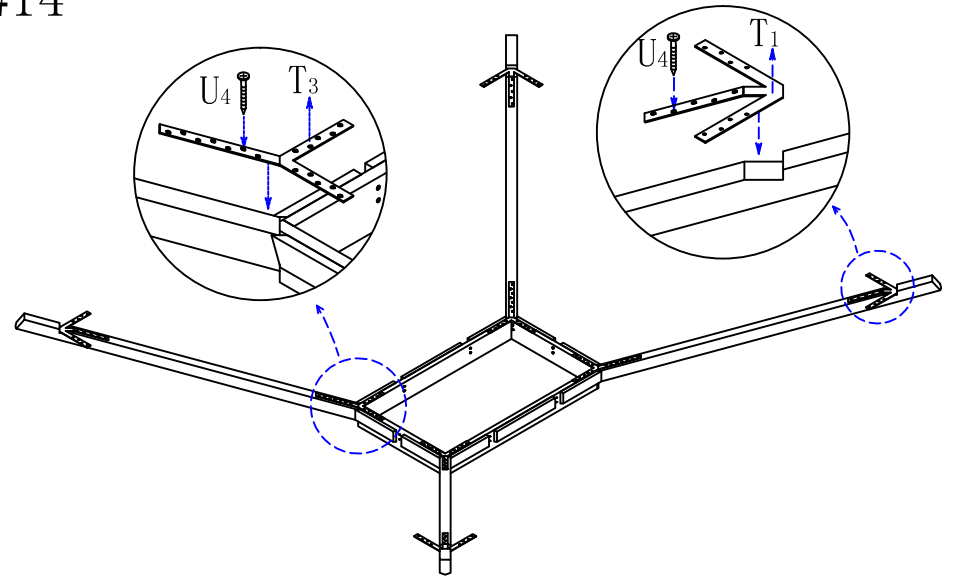
#12



#13

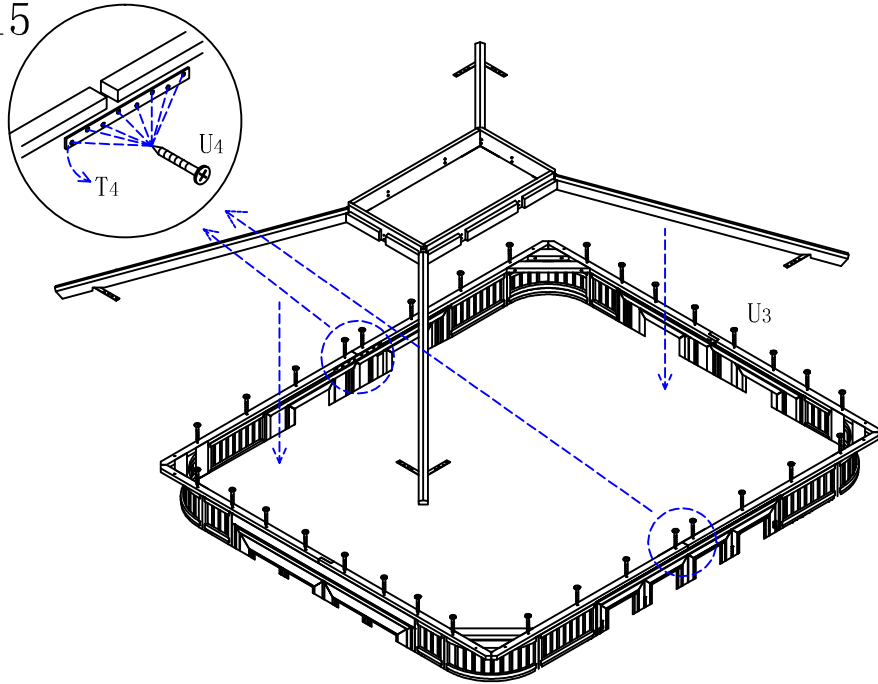


#14

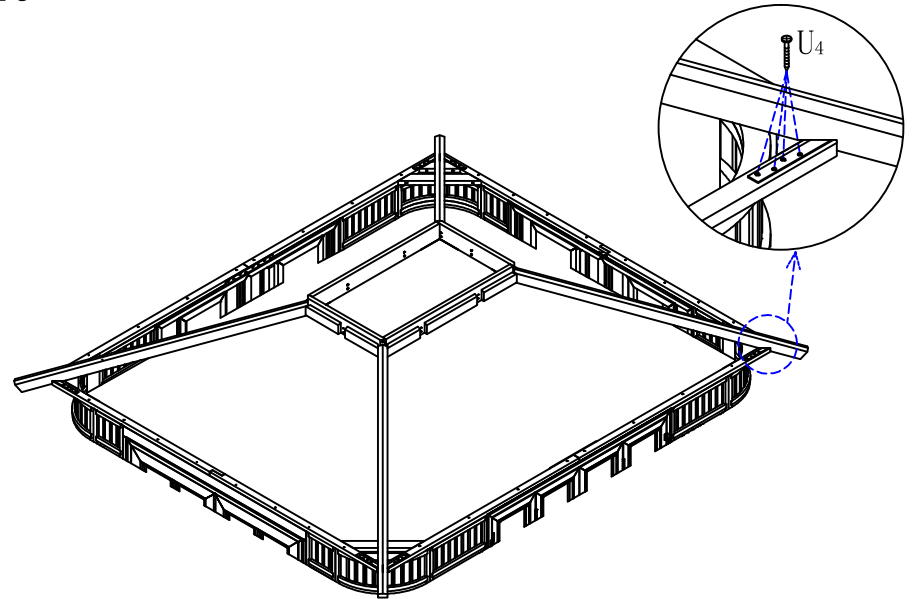


ASSEMBLY INSTRUCTION FOR 12'X14' ULTRAWOOD GAZEBO

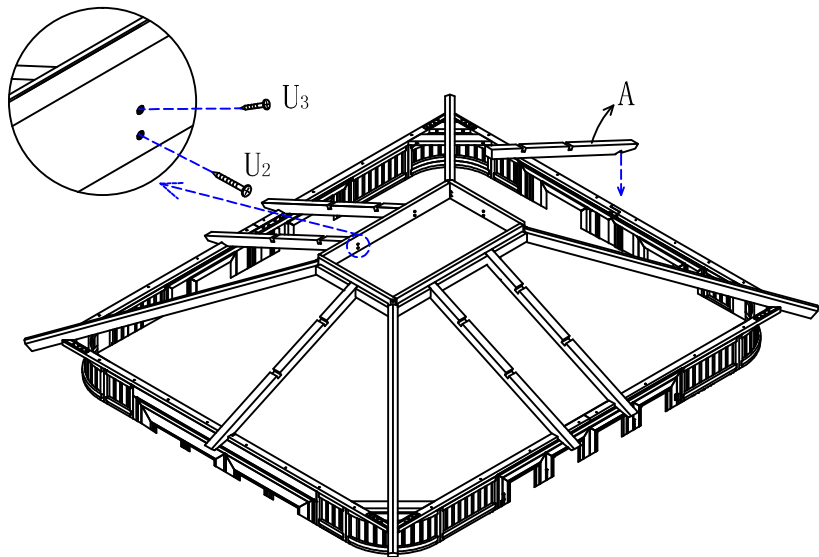
#15



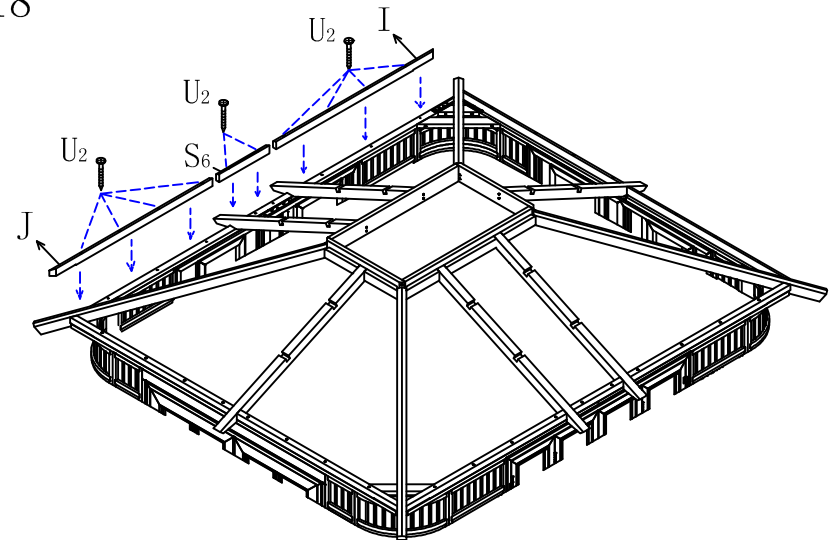
#16



#17

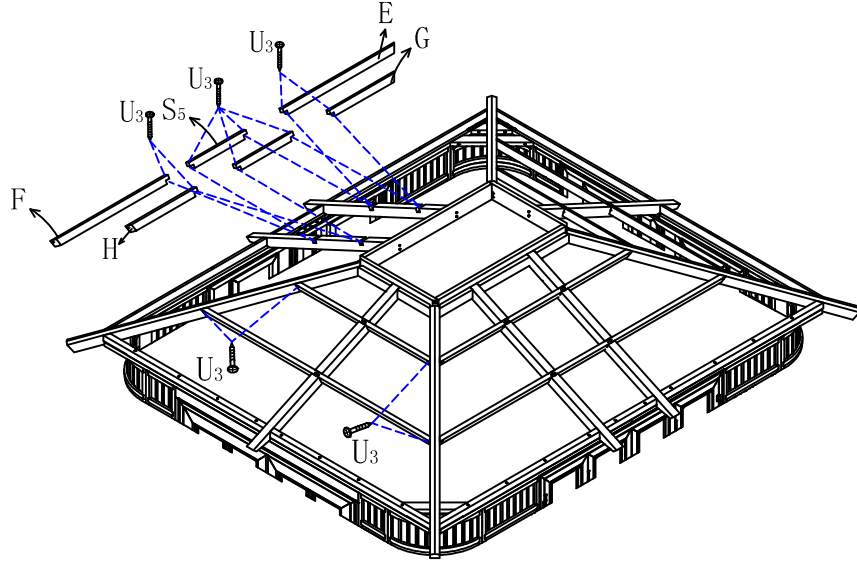


#18

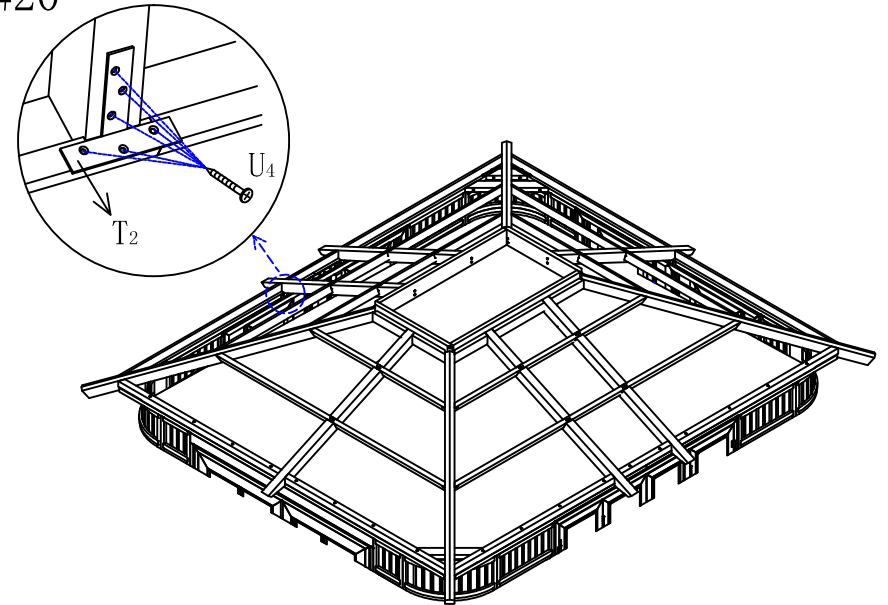


ASSEMBLY INSTRUCTION FOR 12'X14' ULTRAWOOD GAZEBO

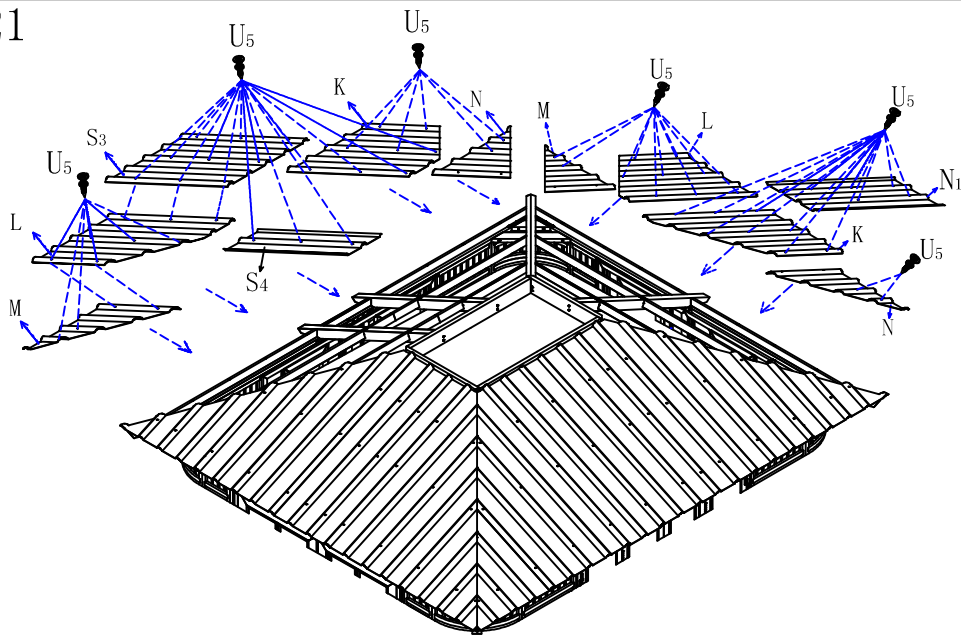
#19



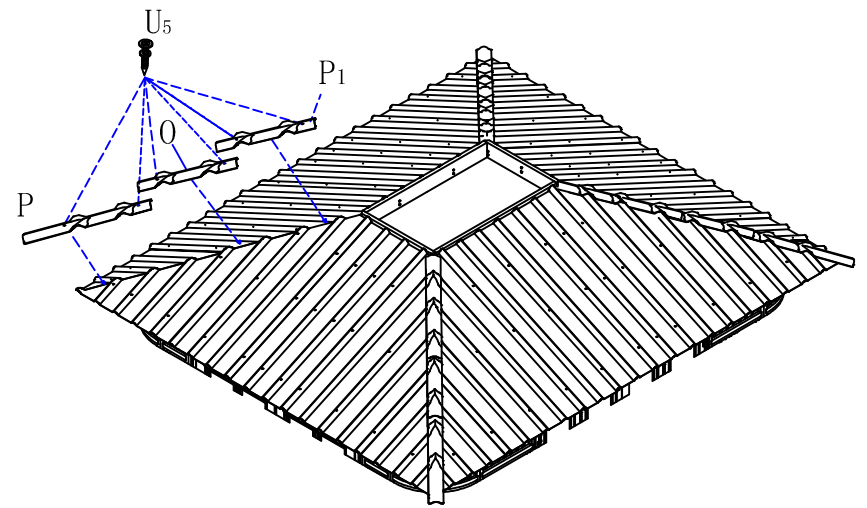
#20



#21

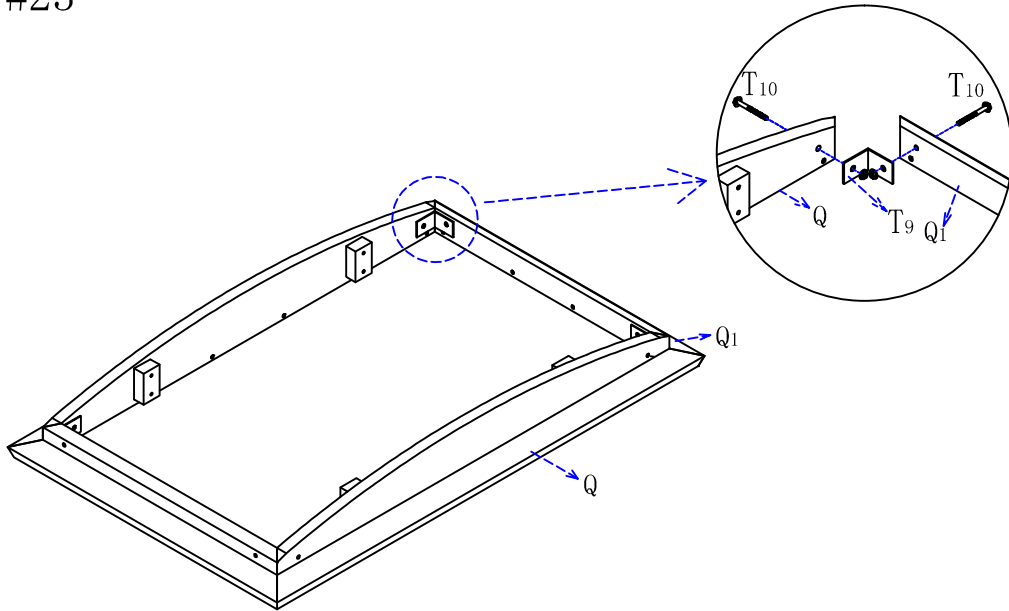


#22

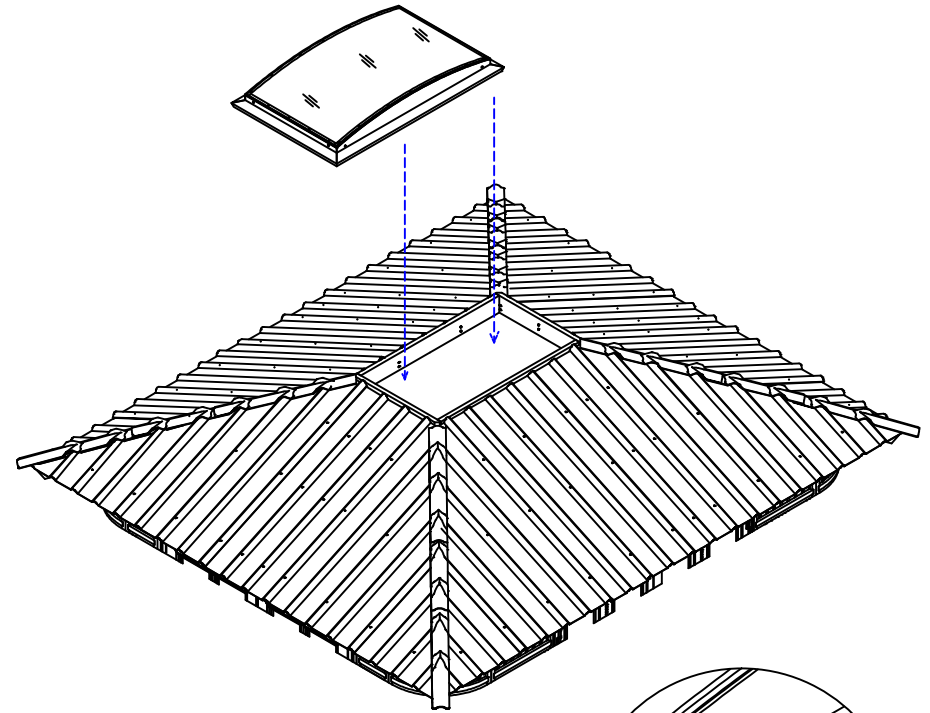


ASSEMBLY INSTRUCTION FOR 12'X14' ULTRAWOOD GAZEBO

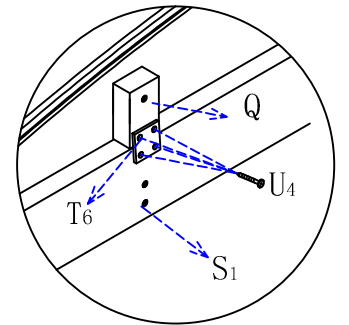
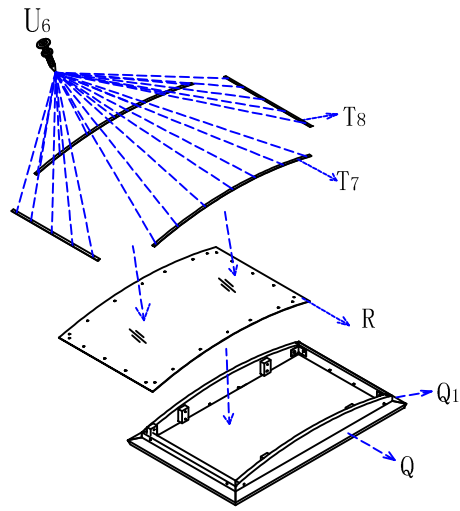
#23



#25

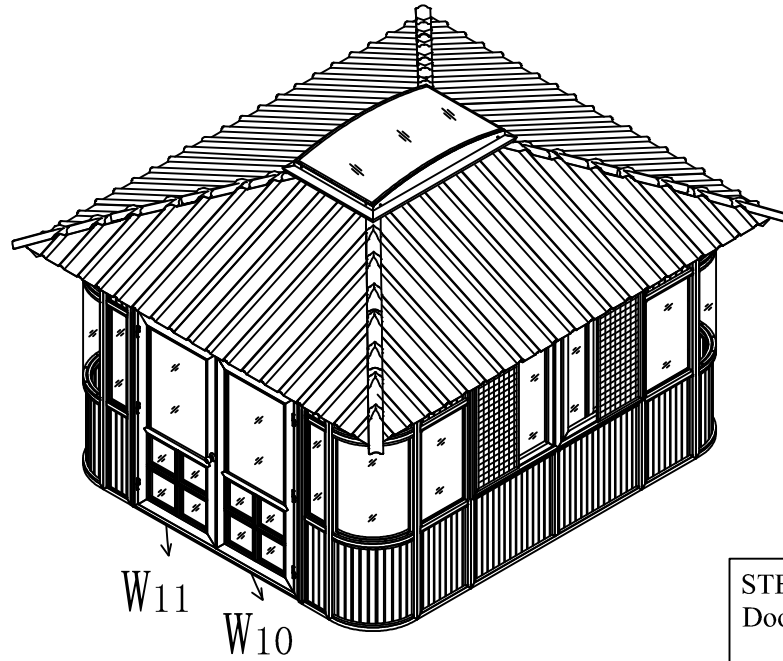


#24

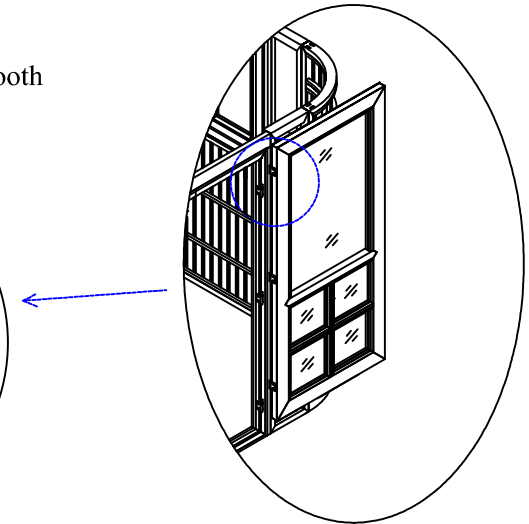
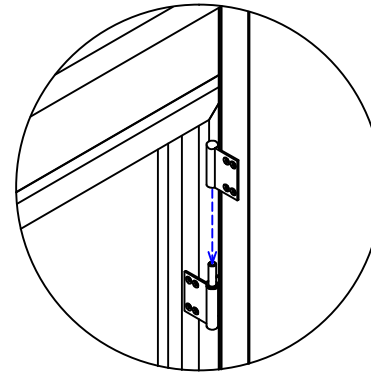


ASSEMBLY INSTRUCTION FOR 12' X 12' ULTRAWOOD GAZEBO

#23

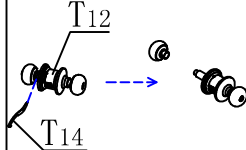


Install shims for smooth operation.



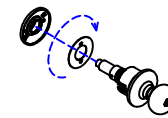
Install handle /lock assembly

STEP 1:
Door Lock Installation.

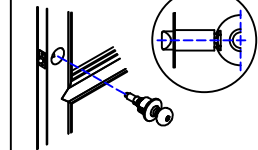


Remove door lock handle by pressing the knob in the gap for installation.

STEP 2:
Remove door lock cover ring and inner lock ring.

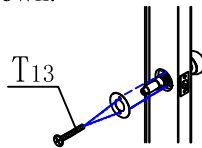


STEP 3: Door Lock Handle Installation.

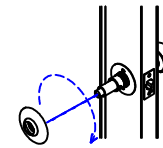


Install door lock handle into door hole and lock the end part of the door handle.

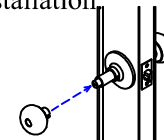
STEP 4: Install door lock inner ring with screw that shown.



STEP 5: Door Lock Cover Ring Installation.



STEP 6: Door Lock Handle Installation.



Complete the installation by pushing the door lock handle to the inner part of door lock.

ASSEMBLY INSTRUCTION FOR 12' X 12' ULTRAWOOD GAZEBO

#24

